



US00D970877S

(12) **United States Design Patent**
Yang

(10) **Patent No.:** **US D970,877 S**

(45) **Date of Patent:** **** Nov. 29, 2022**

(54) **PARASOL ARMREST SHELL**

FOREIGN PATENT DOCUMENTS

(71) Applicant: **LINHAI JIADE LEISURE PRODUCTS CO., LTD.**, Zhejiang (CN)

CN 304440547 * 1/2018
CN 304511509 * 2/2018

(72) Inventor: **Yexiang Yang**, Jiangxi (CN)

OTHER PUBLICATIONS

(73) Assignee: **LINHAI JIADE LEISURE PRODUCTS CO., LTD.**, Linhai (CN)

Wayfair.com, Site visited Sep. 21, 2022, Grise 144" Cantilever Umbrella, oldest review dated May 22, 2020, <https://www.wayfair.com/outdoor/pdp/freeport-park-grise-12-octagonal-cantilever-umbrella-w005090626.html?piid=2093876941> (Year: 2020).
Amazon.ca, Site visited Sep. 21, 2022, Blissun 10ft Offset Umbrella, First available Mar. 18, 2021, <https://www.amazon.ca/Blissun-Umbrella-Cantilever-Backyard-Cerulean/dp/B08QVX4Z8F> (Year: 2021).*

(**) Term: **15 Years**

* cited by examiner

(21) Appl. No.: **29/777,594**

(22) Filed: **Apr. 7, 2021**

(51) **LOC (13) Cl.** **03-03**

Primary Examiner — Brett Miller

(52) **U.S. Cl.**

Assistant Examiner — Jessica M Gebhart

USPC **D3/10; D3/12**

(74) *Attorney, Agent, or Firm* — Wayne IP LLC

(58) **Field of Classification Search**

(57) **CLAIM**

USPC D3/5-17; D8/356, 382, 394, 395, 396; D13/133, 154; D12/400, 401; D6/512, D6/522, 566, 650, 685, 691, 691.3
CPC A45B 25/06; A45B 25/00; A45B 25/02; A45B 25/10; E04H 15/06; E04H 12/22; F16M 13/02; B63B 7/08

The ornamental design for a parasol armrest shell, as shown and described.

See application file for complete search history.

DESCRIPTION

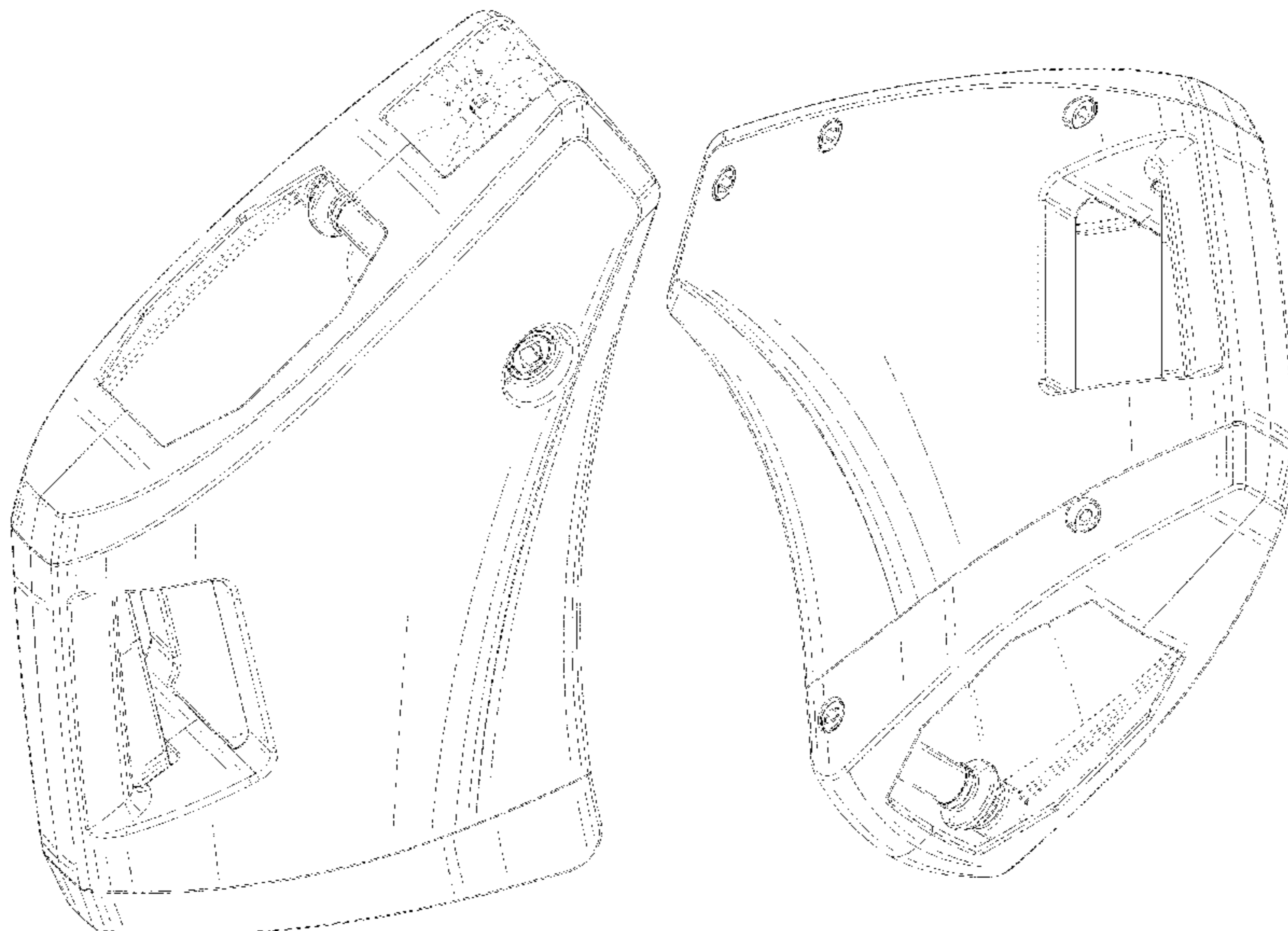
(56) **References Cited**

U.S. PATENT DOCUMENTS

D738,610 S * 9/2015 Ma D3/10
D760,486 S * 7/2016 Patzak D3/10
D808,636 S * 1/2018 Ma D3/10
D814,172 S * 4/2018 Ma D3/10
D814,782 S * 4/2018 Ma D3/10
D815,828 S * 4/2018 Wang D3/12
D820,581 S * 6/2018 Ma D3/10
D834,807 S * 12/2018 Tellings D3/12
D851,390 S * 6/2019 Wang D3/12
D886,444 S * 6/2020 Tellings D3/12
2022/0079307 A1 * 3/2022 He A45B 19/10

FIG. 1 is a perspective view of a parasol armrest shell showing our new design;
FIG. 2 is another perspective view thereof;
FIG. 3 is a front view thereof;
FIG. 4 is a back view thereof;
FIG. 5 is a left view thereof;
FIG. 6 is a right view thereof;
FIG. 7 is a top view thereof;
FIG. 8 is a bottom view thereof;
FIG. 9 is a partially enlarged view of FIG. 3; and,
FIG. 10 is a partially enlarged view of FIG. 4.
The broken lines shown on the drawings depict portions of the parasol armrest shell that form no part of the claimed design.

1 Claim, 10 Drawing Sheets



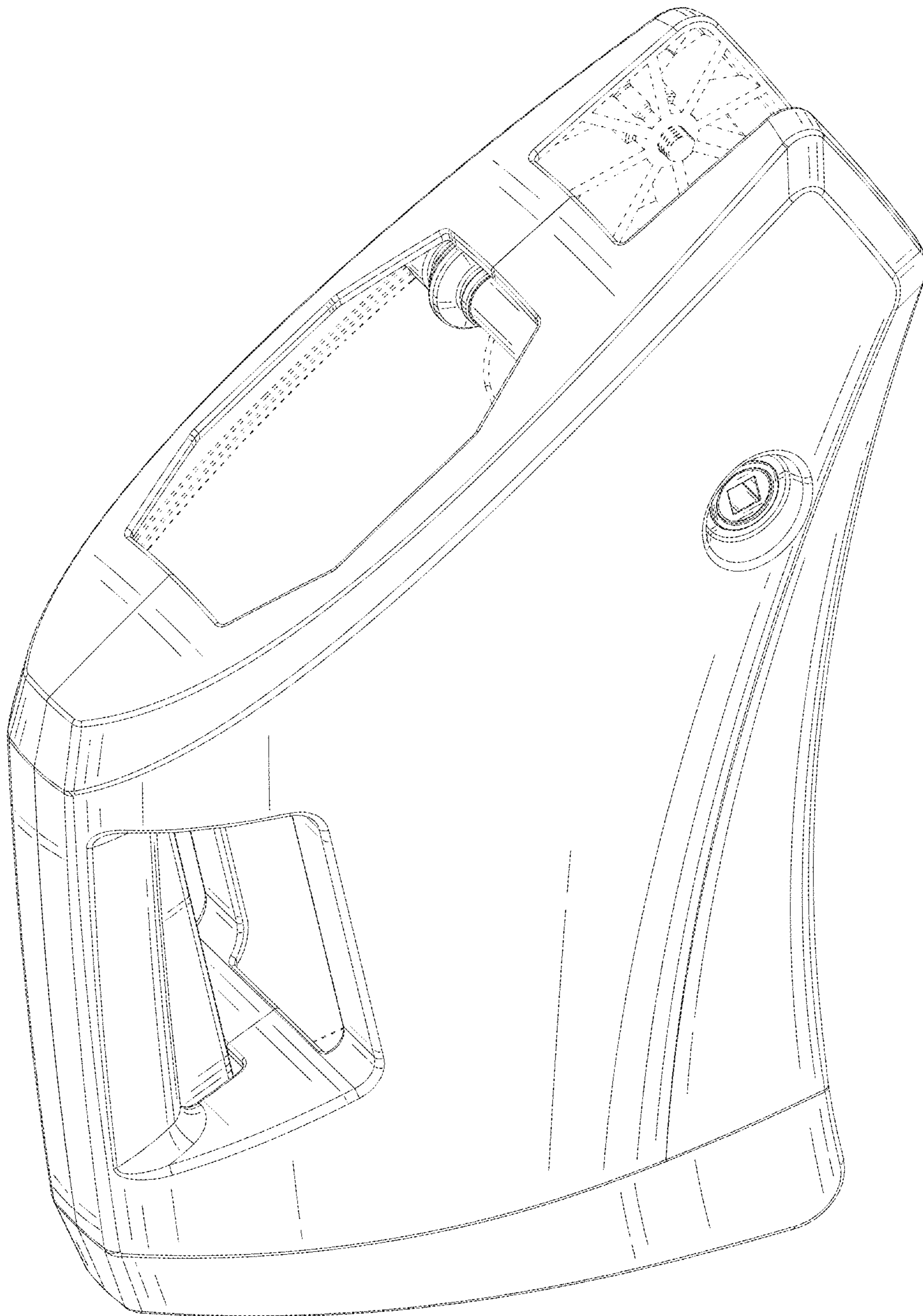


FIG. 1

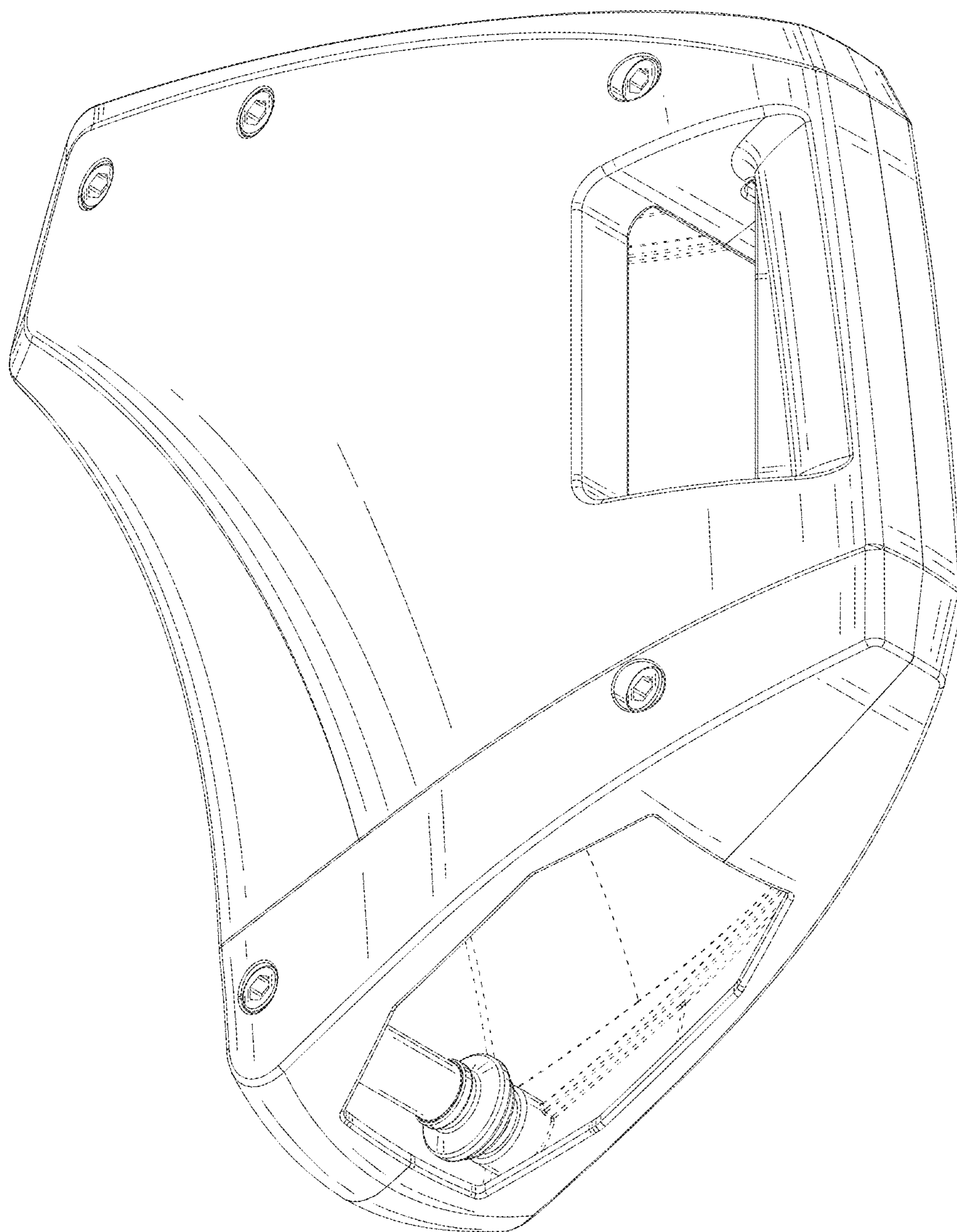


FIG. 2

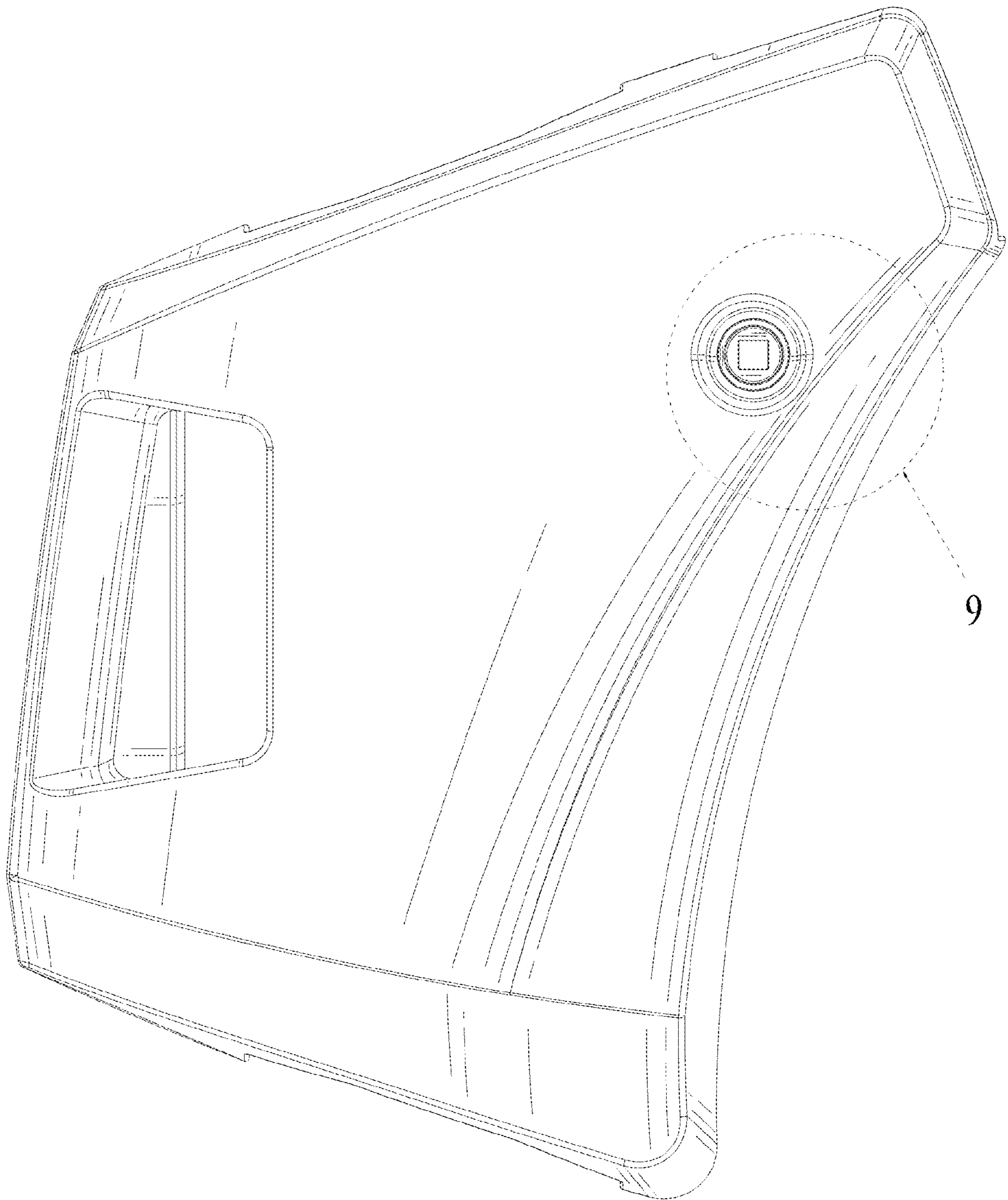


FIG. 3

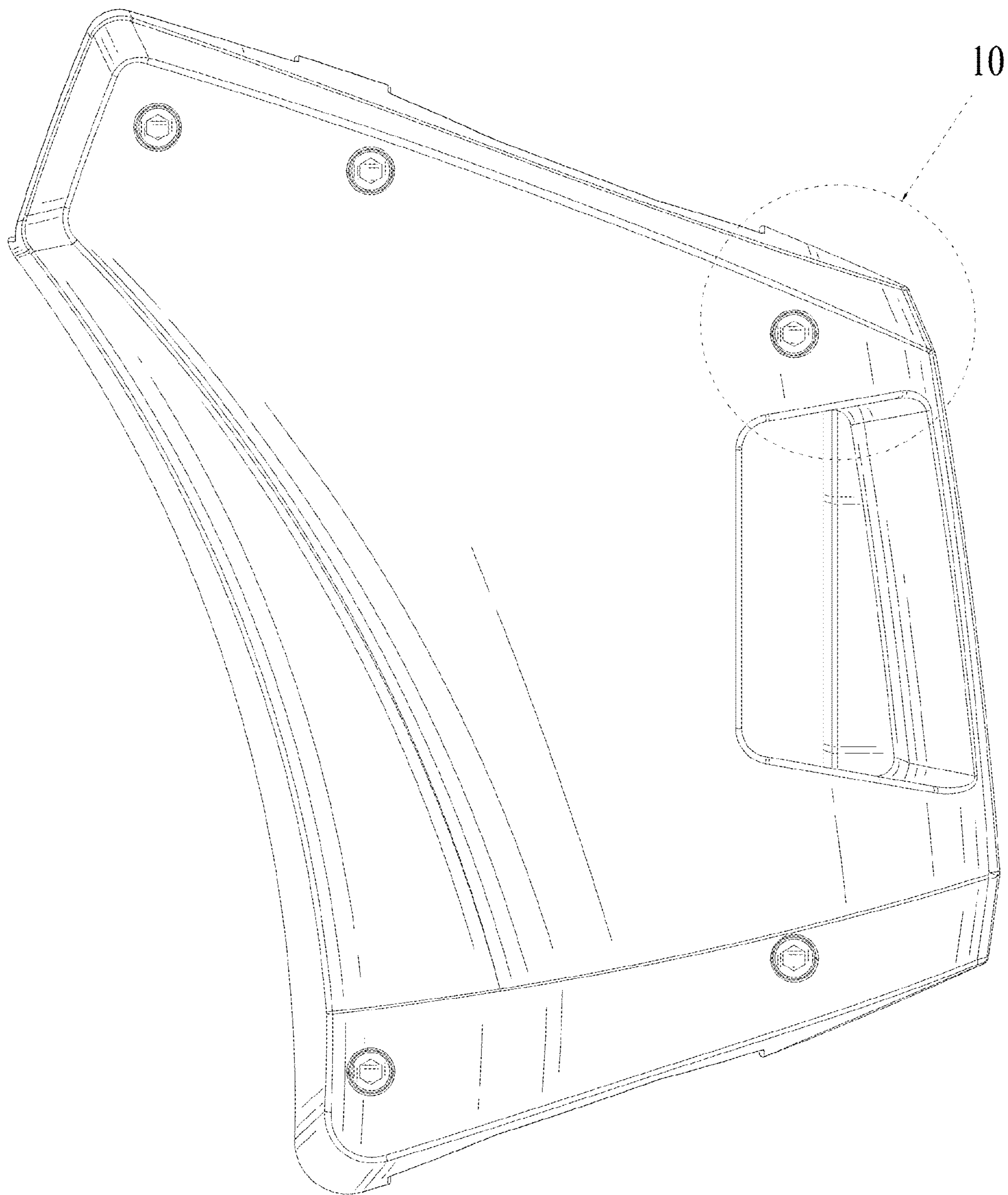


FIG. 4

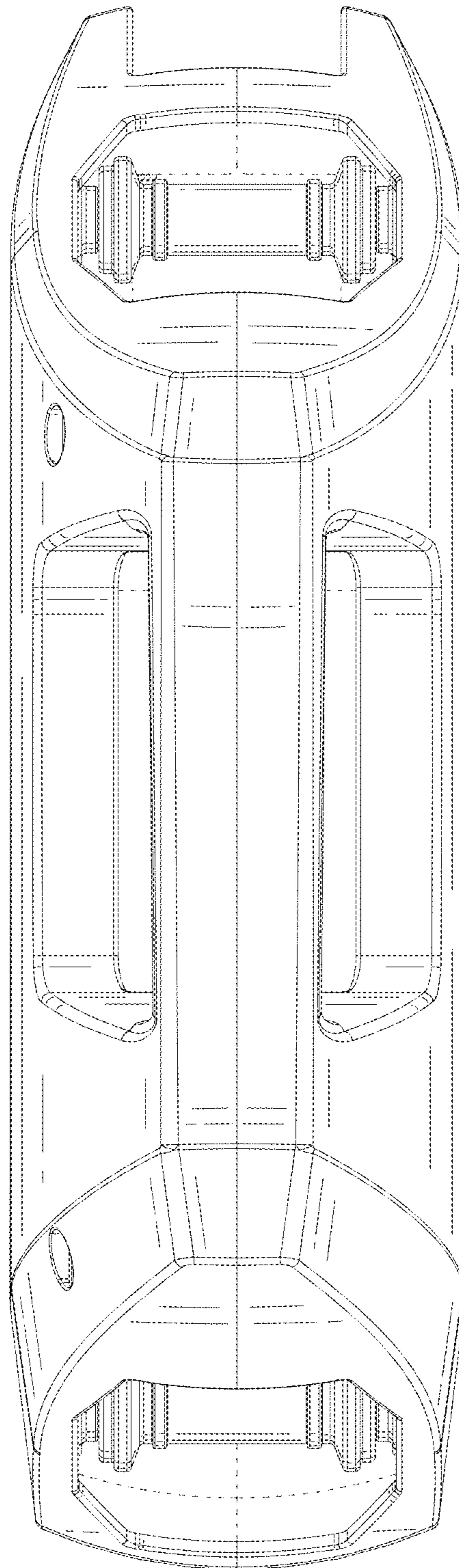


FIG. 5

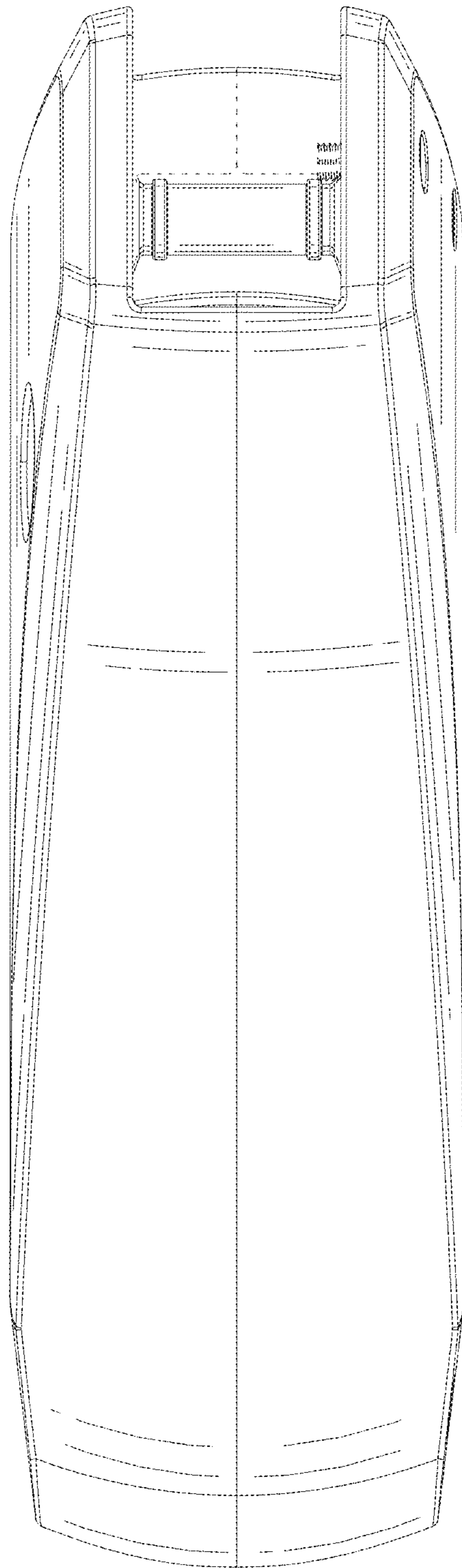


FIG. 6

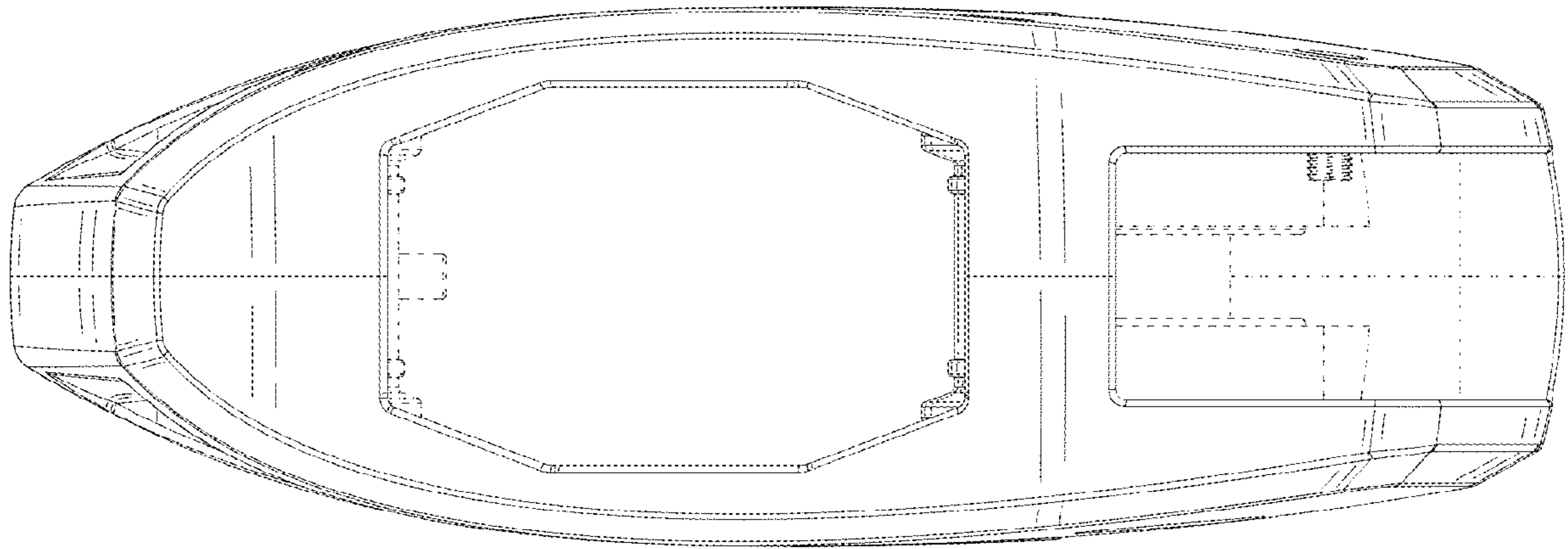


FIG. 7

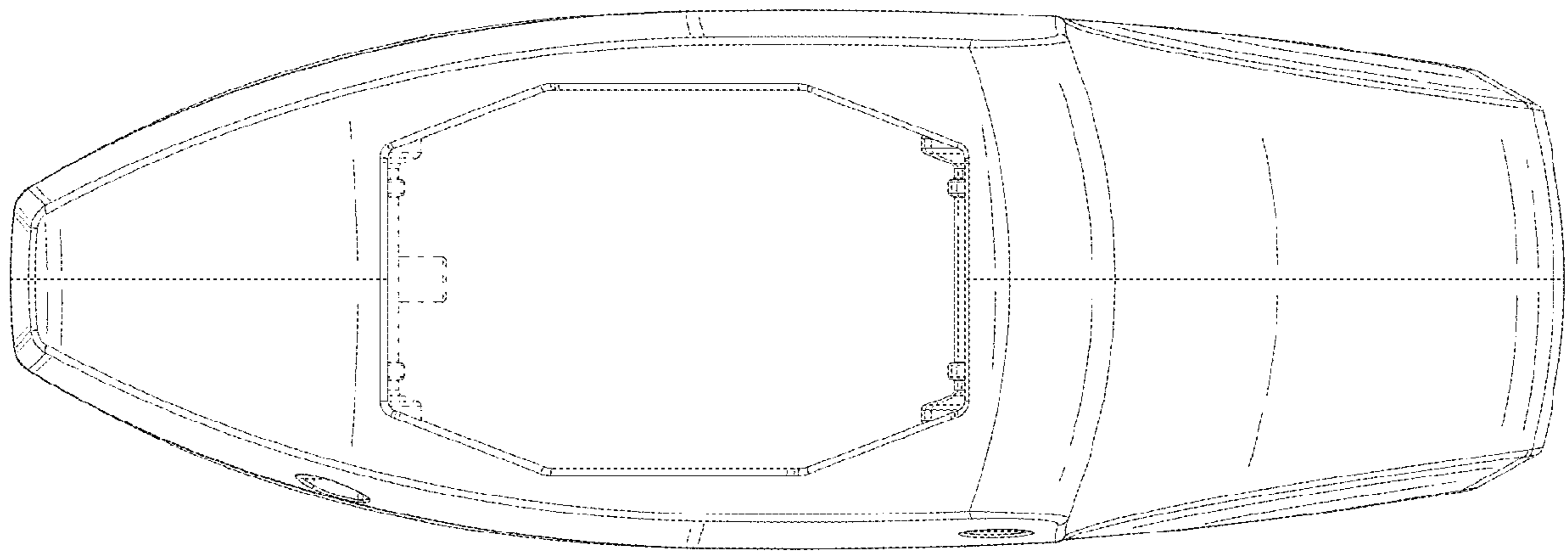


FIG. 8

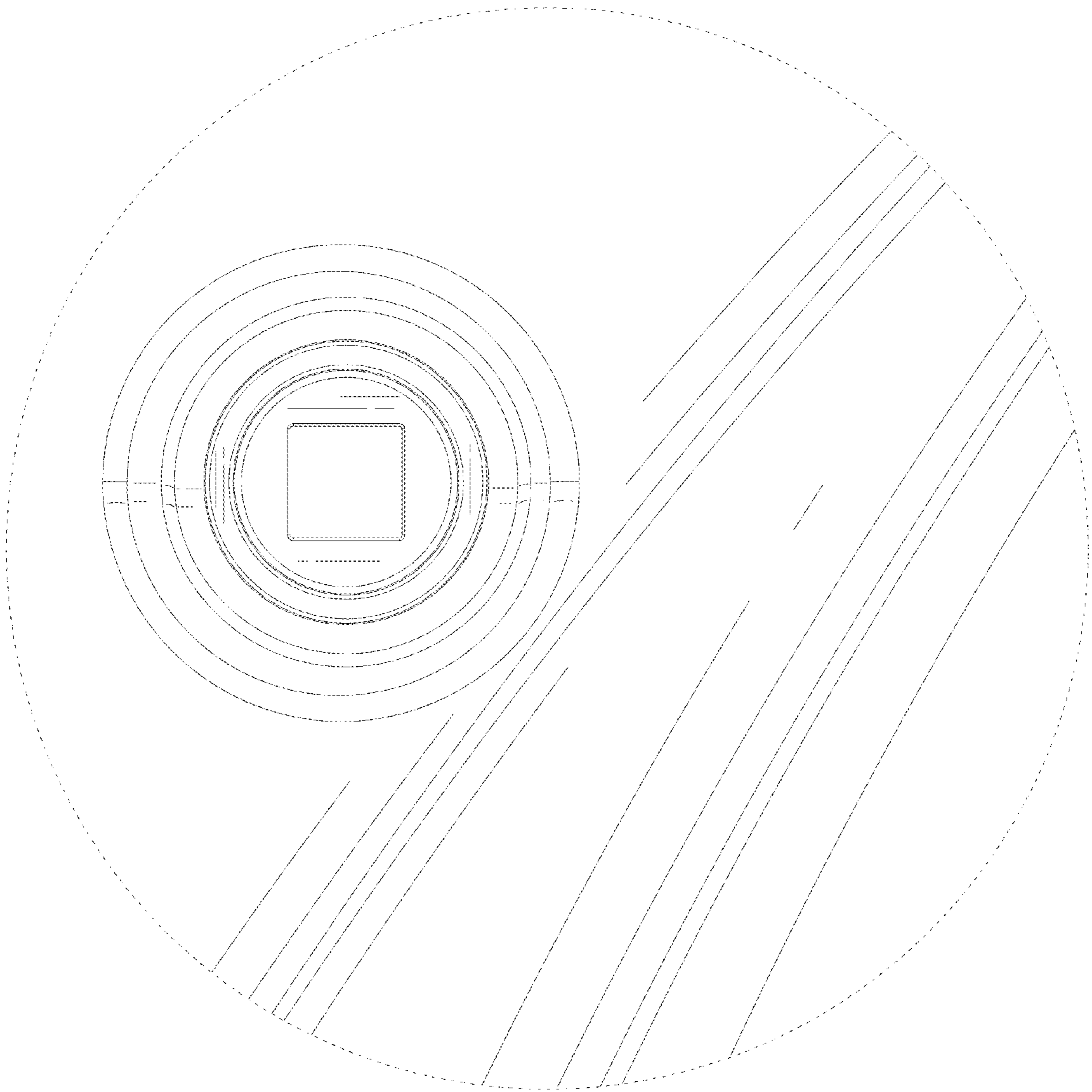


FIG. 9

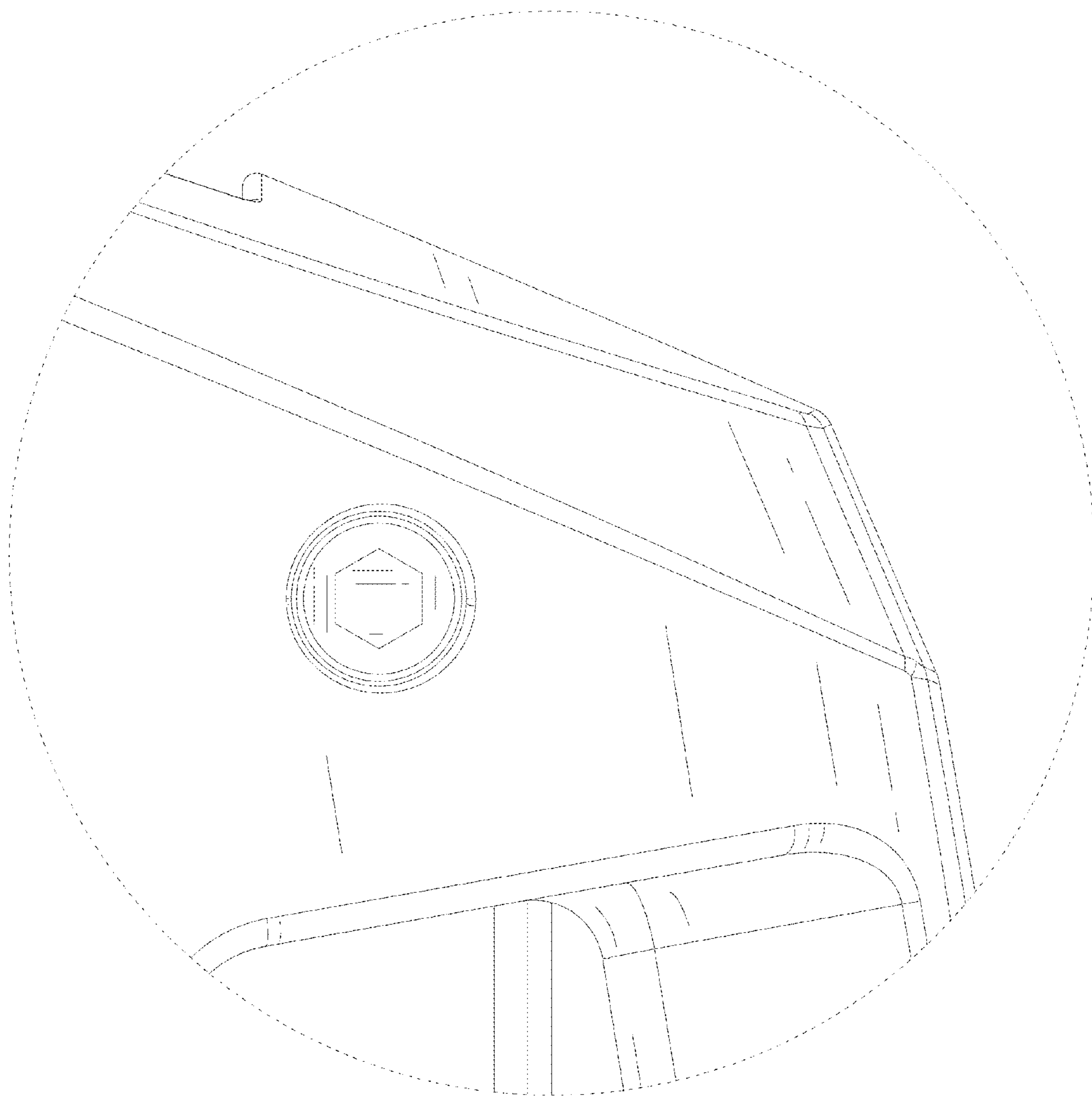


FIG. 10