



US00D970874S

(12) **United States Design Patent**  
**Geiger et al.**

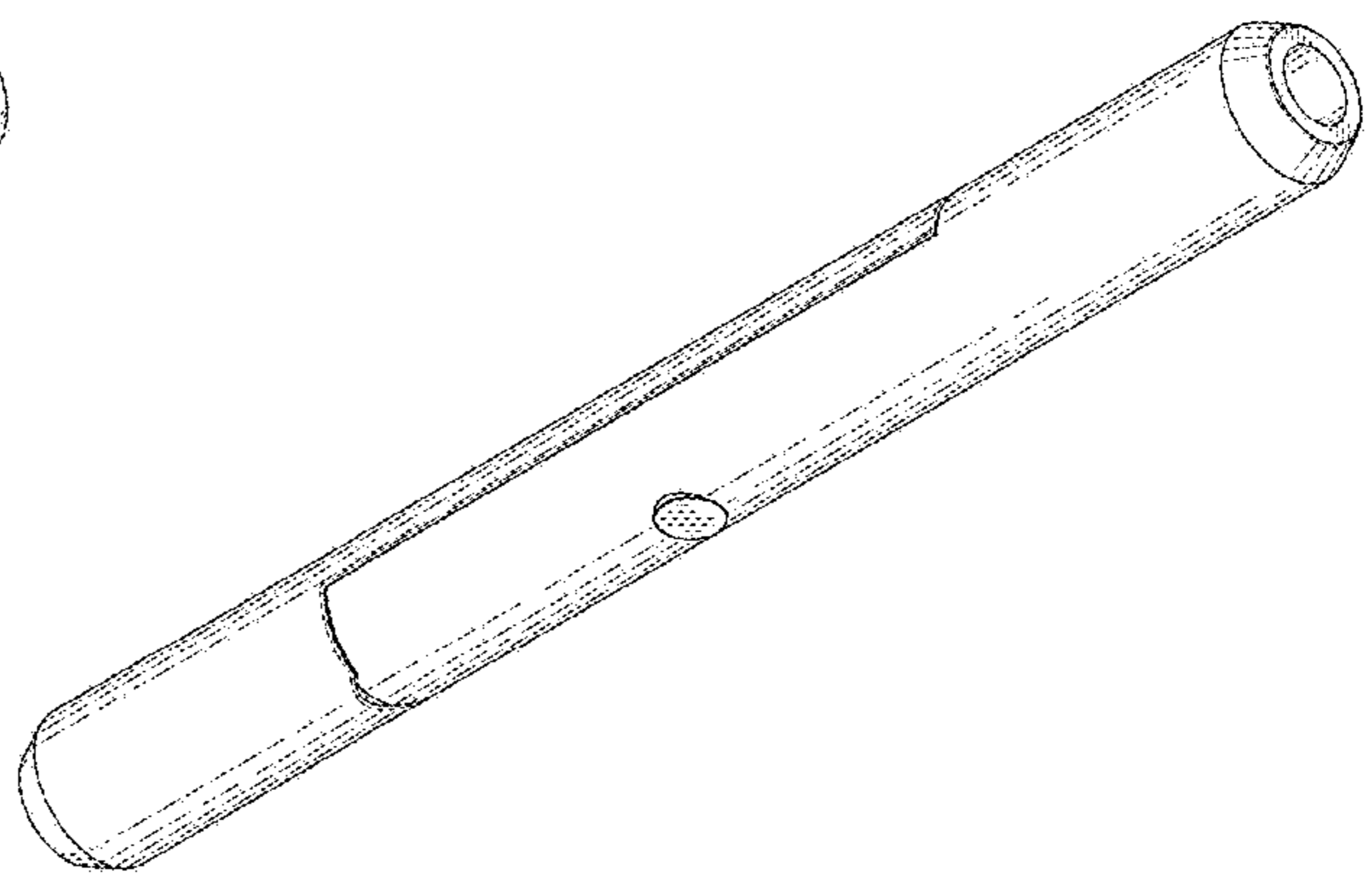
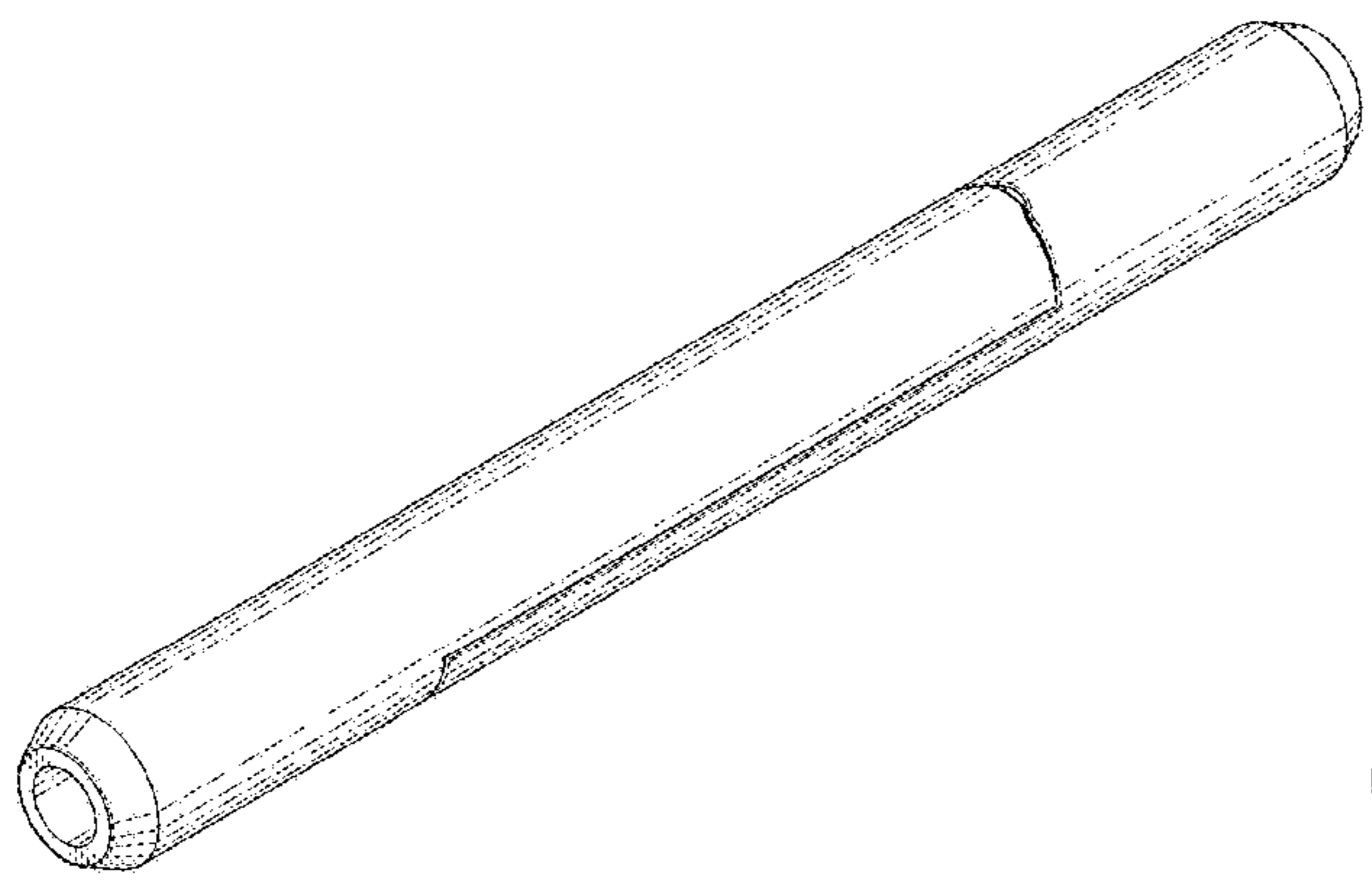
(10) **Patent No.:** **US D970,874 S**

(45) **Date of Patent:** **\*\* Nov. 29, 2022**

- (54) **AGLET**
- (71) Applicants: **Butterfly Hedge LLC**, Seattle, WA (US); **Avi Geiger**, Seattle, WA (US)
- (72) Inventors: **Avi Geiger**, Seattle, WA (US); **Jared Randall**, Seattle, WA (US)
- (73) Assignees: **Butterfly Hedge LLC**, Seattle, WA (US); **Avi Geiger**, Seattle, WA (US)
- (\*\*) Term: **15 Years**
- (21) Appl. No.: **29/727,943**
- (22) Filed: **Mar. 13, 2020**
- (51) **LOC (13) Cl.** ..... **02-07**
- (52) **U.S. Cl.**  
USPC ..... **D2/978; D2/946**
- (58) **Field of Classification Search**  
USPC ..... D2/896, 910, 911, 913, 916, 925, 943, D2/946, 978; D21/672, 798; D26/37; D11/41, 79; D6/403, 406  
CPC .... A43C 9/08; A43C 9/06; A43C 9/02; A43C 9/04; A43C 1/02; A43C 1/00; A43C 11/00; A43C 11/20; A43C 7/00; A43C 7/04; A43C 19/00; A43C 5/00; A43B 23/02; A43B 23/26; A43B 5/00; A43B 5/10; A43B 5/06; A45F 5/02; B32B 37/12; A44B 21/00  
See application file for complete search history.

727,530	A *	5/1903	Young	.....	A43C 9/04	24/715.4
733,837	A *	7/1903	Hall	.....	A43C 9/02	24/715.7
1,040,662	A *	10/1912	Garrison	.....	B29C 70/521	156/212
1,073,496	A *	9/1913	Kempshall	.....	A43C 9/04	24/715.4
1,179,191	A *	4/1916	Kempshall	.....	A43C 9/04	24/715.4
1,282,129	A *	10/1918	Scotson Clark	.....	A43C 9/04	24/715.4
1,326,143	A *	12/1919	Slagenhauf	.....	A43C 9/04	24/715.4
1,340,669	A *	5/1920	Pavelka	.....	A43C 9/02	24/715.7
1,353,140	A *	9/1920	Benz	.....	A43C 9/02	24/715.7
1,392,270	A *	9/1921	Christian	.....	A43C 9/02	24/715.7
1,392,339	A *	10/1921	Kelly	.....	A43C 9/06	24/715.6
1,411,746	A *	4/1922	Ross	.....	A43C 9/06	24/715.6
1,420,219	A *	6/1922	Ross	.....	A43C 9/06	24/715.6
1,420,632	A *	6/1922	Kelly	.....	A43C 9/06	24/715.6
1,420,657	A *	6/1922	Kelly	.....	A43C 9/06	411/456
1,425,384	A *	8/1922	Kelly	.....	A43C 9/06	411/456
1,458,017	A *	6/1923	Wolf, Sr.	.....	A43C 9/04	24/712
1,465,754	A *	8/1923	Berolzheimer	.....	A43C 9/04	24/715.4
1,487,602	A *	3/1924	Pulver	.....	A43C 9/02	24/265 A
1,489,311	A *	4/1924	Decatur	.....	A43C 9/04	24/715.7
1,495,160	A *	5/1924	Campbell	.....	A43C 9/02	24/715.7
1,510,605	A *	10/1924	Petersen	.....	A43C 9/02	24/715.7
1,553,440	A *	9/1925	Grow	.....	A43C 9/02	24/715.7
1,691,451	A *	11/1928	Uellendahl	.....	A43C 9/04	24/715.4
2,145,476	A *	1/1939	Dennis	.....	A43C 9/04	24/715.4

- (56) **References Cited**  
U.S. PATENT DOCUMENTS
- 133,540 A \* 12/1872 Moore ..... A43C 9/04 24/715.4
- 632,699 A \* 9/1899 Congdon ..... A43C 9/02 147/48
- 654,898 A \* 7/1900 Kelly ..... A43C 9/02 24/715.7
- 696,440 A \* 4/1902 Holland ..... A43C 9/04 24/715.4
- 722,902 A \* 3/1903 Richardson ..... A43C 9/02 24/715.7



2,674,021 A \* 4/1954 Cataldi ..... A43C 7/00  
 D2/978  
 3,038,375 A \* 6/1962 Gansz ..... G02C 5/00  
 351/111  
 3,636,594 A \* 1/1972 Faivre ..... A43C 9/04  
 24/715.4  
 4,586,610 A \* 5/1986 Gandolfo ..... H01B 7/368  
 206/390  
 D320,428 S \* 10/1991 Rust ..... D21/679  
 5,099,552 A \* 3/1992 Kimbrough ..... A43C 7/00  
 24/715.6  
 D331,517 S \* 12/1992 Warner ..... D6/580  
 D331,681 S \* 12/1992 Schaefer ..... D6/580  
 5,289,613 A \* 3/1994 Kohl ..... F16G 11/02  
 16/108  
 5,475,449 A \* 12/1995 Pyle ..... B65G 47/24  
 351/158  
 5,619,778 A \* 4/1997 Slood ..... A43C 9/00  
 24/712  
 5,711,244 A \* 1/1998 Knapp ..... B63B 3/13  
 220/669  
 5,832,574 A \* 11/1998 Shin ..... A43B 3/0078  
 24/712.1  
 6,167,599 B1 \* 1/2001 Chen ..... A43B 1/0036  
 24/712  
 6,178,606 B1 \* 1/2001 Glendon ..... A43C 7/00  
 24/115 G  
 6,427,298 B1 \* 8/2002 Tseng ..... A43C 9/04  
 24/712.1  
 6,474,858 B1 \* 11/2002 Liao ..... F21S 10/002  
 362/582  
 D516,454 S \* 3/2006 Gimpel ..... A43B 3/0078  
 D11/79  
 7,246,417 B1 \* 7/2007 Huang ..... A43C 1/00  
 D2/978  
 8,307,517 B2 \* 11/2012 Piermayr ..... D05B 91/02  
 223/50  
 D683,662 S \* 6/2013 Vloemans ..... D12/114  
 D744,227 S \* 12/2015 Goto ..... D2/978  
 D746,579 S \* 1/2016 Goto ..... D2/978  
 D763,565 S \* 8/2016 Casperson ..... A43C 9/00  
 D3/18  
 D778,591 S \* 2/2017 Goto ..... A43C 9/06  
 D2/978  
 D778,592 S \* 2/2017 Goto ..... B63B 3/13  
 D2/978  
 D806,807 S \* 1/2018 Kang ..... A43C 9/04  
 D21/672  
 D829,835 S \* 10/2018 Yu ..... D04C 1/06  
 D21/672  
 10,087,573 B1 \* 10/2018 Casperson ..... G02C 5/14  
 D919,016 S \* 5/2021 Lin ..... D21/672  
 11,051,587 B2 \* 7/2021 Lin ..... A43C 9/04  
 D11/79  
 D953,455 S \* 5/2022 Li ..... D21/694  
 2003/0167609 A1 \* 9/2003 Christy ..... A43C 9/04  
 24/712.9  
 2005/0055811 A1 \* 3/2005 Cheng ..... A43C 9/04  
 24/715.4  
 2005/0257355 A1 \* 11/2005 Provenzale ..... A43C 9/04  
 24/715.4  
 2005/0273988 A1 \* 12/2005 Christy ..... A43C 9/04  
 24/712.1  
 2006/0064856 A1 \* 3/2006 Chen ..... A43C 9/04  
 24/715.6  
 2006/0075614 A1 \* 4/2006 Chmelar ..... A43B 3/0078  
 24/714.6  
 2007/0204443 A1 \* 9/2007 Cheng ..... A43C 9/04  
 D2/978  
 2007/0226968 A1 \* 10/2007 Valenzuela ..... A43B 1/0027  
 D2/978  
 2008/0222861 A1 \* 9/2008 Son ..... A43B 1/0054  
 D2/978  
 2008/0295305 A1 \* 12/2008 Hsu ..... A43C 9/04  
 24/715.6  
 2009/0077778 A1 \* 3/2009 Quiroz ..... G02C 5/14

2011/0131773 A1 \* 6/2011 Hsieh ..... A43C 9/06  
 2011/0240690 A1 \* 10/2011 Newsom ..... D05B 91/02  
 223/50  
 2012/0144632 A1 \* 6/2012 Cheng ..... F16G 11/101  
 24/713.6  
 2013/0244213 A1 \* 9/2013 Davis ..... G02C 5/00  
 351/111  
 2014/0080680 A1 \* 3/2014 Henniger ..... A63B 5/20  
 482/82  
 2014/0310927 A1 \* 10/2014 Kadoishi ..... F16G 11/101  
 24/713.6  
 2016/0270481 A1 \* 9/2016 Harden ..... A43C 9/06  
 24/715.6  
 2017/0202312 A1 \* 7/2017 Finley ..... A43C 9/06  
 2018/0361187 A1 \* 12/2018 Hopkins ..... A63B 5/20  
 2020/0085146 A1 \* 3/2020 Lin ..... A63B 5/20  
 2020/0154830 A1 \* 5/2020 Cheng ..... A63B 5/20  
 2021/0121724 A1 \* 4/2021 Haslam ..... A63B 5/20

FOREIGN PATENT DOCUMENTS

CN	303514614	* 12/2015	
CN	303525398	* 12/2015	
CN	303525399	* 12/2015	
CN	304877388	* 11/2018	..... A43C 11/22
CN	305068254	* 3/2019	
CN	305589048	* 2/2020	
CN	306000245	* 8/2020	
KR	300702527.0000	* 7/2013	..... A45D 31/00
KR	300716742.0000	* 11/2013	
KR	300787238.0000	* 3/2015	..... A43B 23/24
WO	D069176-001	* 11/2007	

OTHER PUBLICATIONS

Easy2rich, 12/24/36/48 Metal Aglets DIY Shoelaces, (Oct. 21, 2015), [site visited: Jun. 21, 2022], Available from URL: [https://www.amazon.com/dp/B07YG4VV8S/ref=twister\\_B016YBFXH8](https://www.amazon.com/dp/B07YG4VV8S/ref=twister_B016YBFXH8) (Year: 2015).\*

Sky City Store, Shoelace Aglets, (May 9, 2016), Amazon.com, [site visited: Jun. 21, 2022], Available from URL: [https://www.amazon.com/dp/B01FDKGY8I/ref=cm\\_sw\\_em\\_r\\_mt\\_dp\\_F2JRJWFZD3N9D8KG57AY](https://www.amazon.com/dp/B01FDKGY8I/ref=cm_sw_em_r_mt_dp_F2JRJWFZD3N9D8KG57AY) (Year: 2016).\*

GeoGeoDIY, 50 Sets 5 Colors Shoelace Tips Alloy Shoelace Head, (Jul. 6, 2021), Amazon.com, [site visited: Jun. 21, 2022], Available from URL: [https://www.amazon.com/dp/B098PW578J/ref=cm\\_sw\\_em\\_r\\_mt\\_dp\\_4W184F46R0YD07BHW8F3?\\_encoding=UTF8&psc=1](https://www.amazon.com/dp/B098PW578J/ref=cm_sw_em_r_mt_dp_4W184F46R0YD07BHW8F3?_encoding=UTF8&psc=1) (Year: 2021).\*

Sopnom, Shoelace Tips Bullet Aglets, (Apr. 21, 2022), Amazon.com, [site visited: Jun. 21, 2022], Available from URL: [https://www.amazon.com/dp/B09YJ4141T/ref=cm\\_sw\\_em\\_r\\_mt\\_dp\\_NN49CJQF2M6S42Q55HQC?\\_encoding=UTF8&psc=1](https://www.amazon.com/dp/B09YJ4141T/ref=cm_sw_em_r_mt_dp_NN49CJQF2M6S42Q55HQC?_encoding=UTF8&psc=1) (Year: 2022).\*

Shoe Lace Aglet Tips, Paracord Galaxy, (2022), ParacordGalaxy.com, [site visited: Jun. 21, 2022], Available from URL: <https://paracordgalaxy.com/other-hardware/5175-copy-of-shoe-lace-aglet-tips-bronze.html> (Year: 2022).\*

\* cited by examiner

Primary Examiner — T Chase Nelson  
 Assistant Examiner — Jamillah Khalil Abdullah  
 (74) Attorney, Agent, or Firm — Christensen O'Connor Johnson Kindness PLLC

(57) CLAIM

The ornamental design for an aglet, as shown and described.

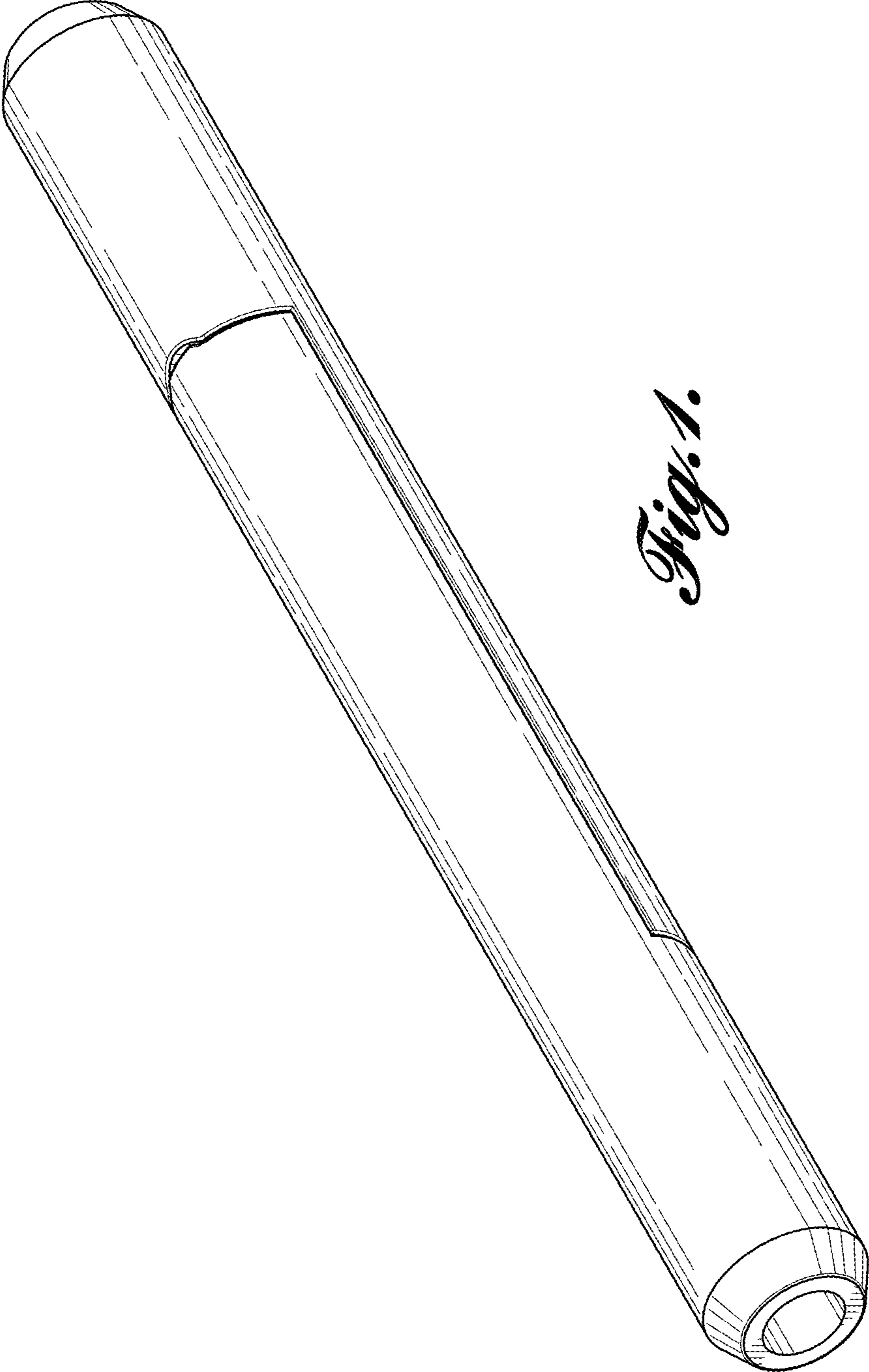
DESCRIPTION

FIG. 1 is a rear, top, left perspective view of an aglet in accordance with our new design;  
 FIG. 2 is a front, bottom, right perspective view thereof;

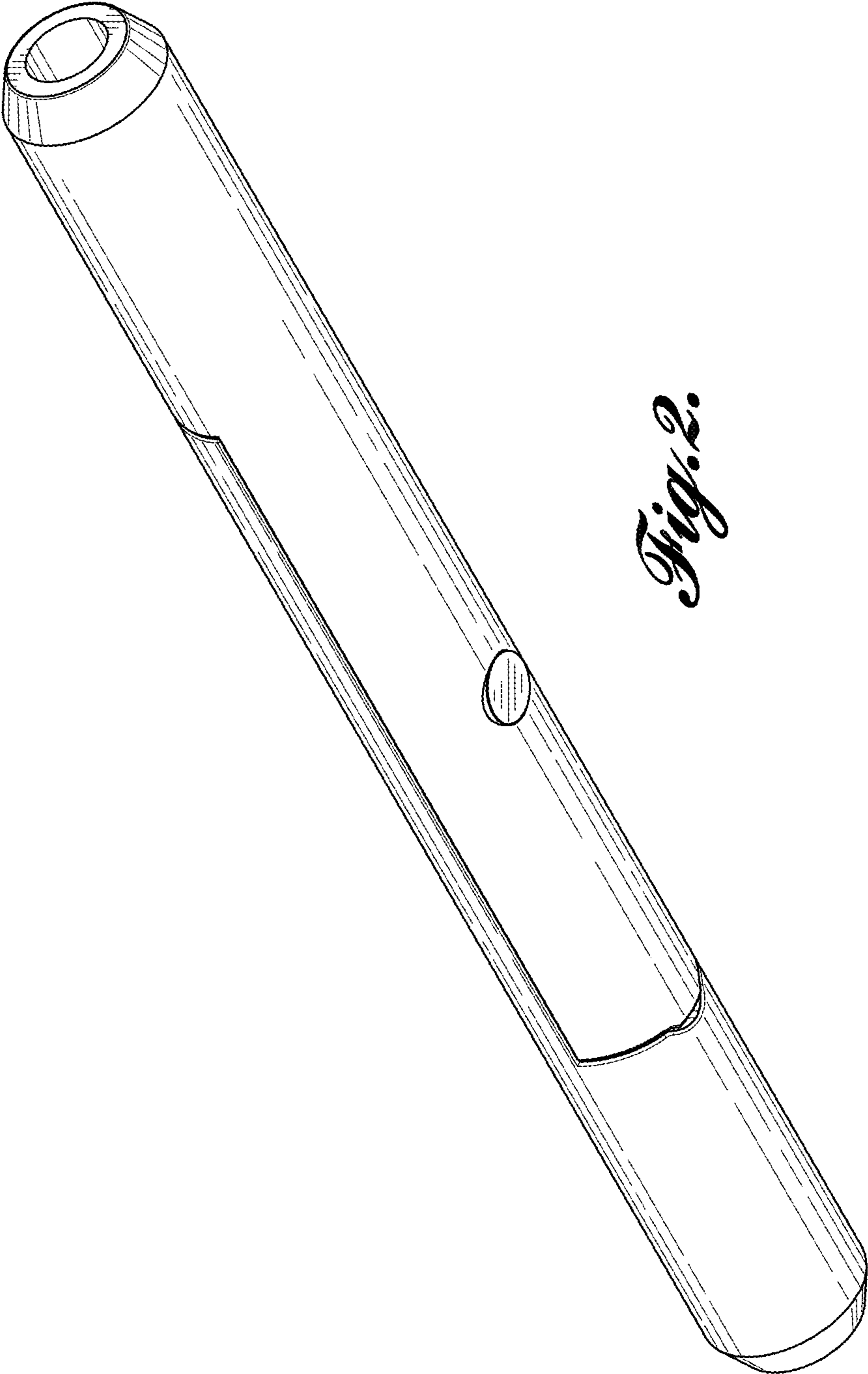


FIG. 3 is a front elevation view thereof;  
FIG. 4 is a rear elevation view thereof;  
FIG. 5 is a top plan view thereof;  
FIG. 6 is a bottom plan view thereof;  
FIG. 7 is a left elevation view thereof;  
FIG. 8 is a right elevation view thereof;  
FIG. 9 is a front, bottom, right perspective view of a portion of an aglet in accordance with another embodiment of our new design;  
FIG. 10 is a rear, top, right perspective view thereof;  
FIG. 11 is a front elevation view thereof;  
FIG. 12 is a rear elevation view thereof;  
FIG. 13 is a bottom plan view thereof;  
FIG. 14 is a top plan view thereof;  
FIG. 15 is a left elevation view thereof;  
FIG. 16 is a right elevation view thereof;  
FIG. 17 is a front, bottom, right perspective view of a portion of an aglet in accordance with another embodiment of our new design;  
FIG. 18 is a rear, top, right perspective view thereof;  
FIG. 19 is a front elevation view thereof;  
FIG. 20 is a rear elevation view thereof;  
FIG. 21 is a bottom plan view thereof;  
FIG. 22 is a top plan view thereof;  
FIG. 23 is a left elevation view thereof; and,  
FIG. 24 is a right elevation view thereof.

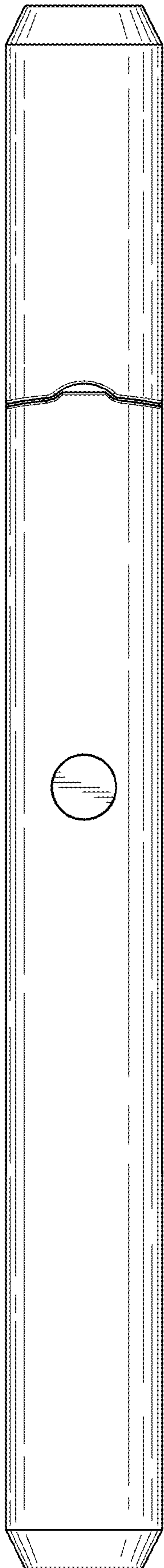
**1 Claim, 10 Drawing Sheets**



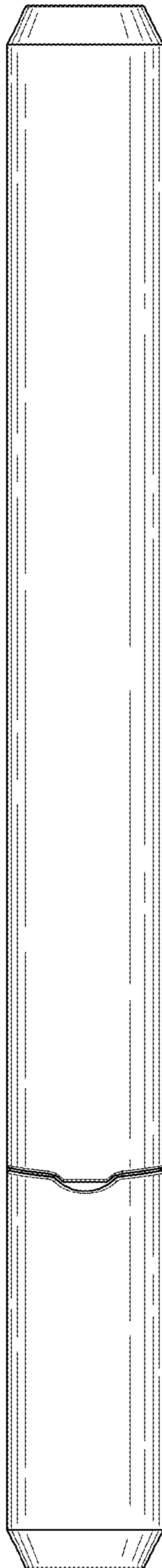
*Fig. 1.*



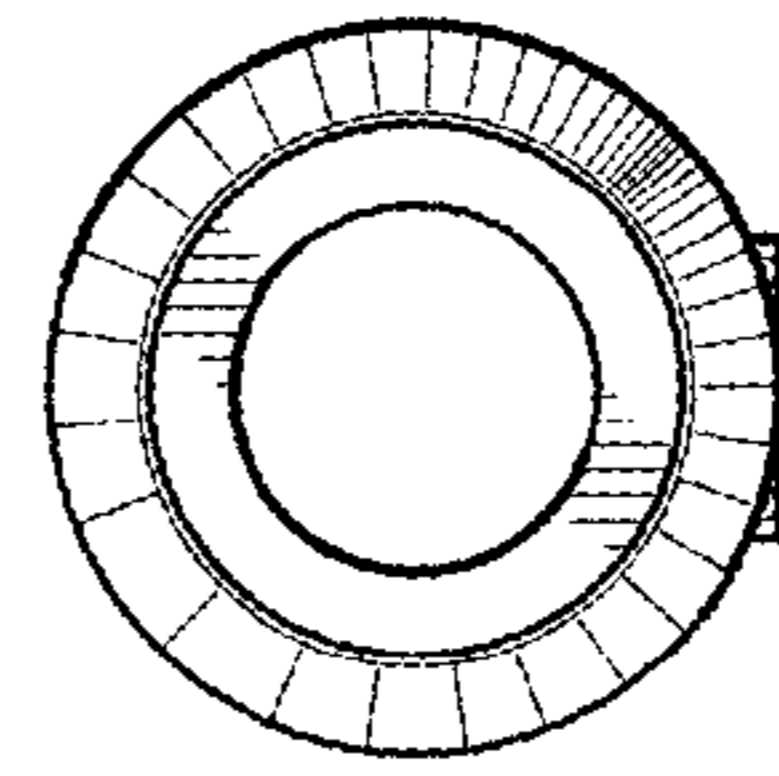
*Fig. 2.*



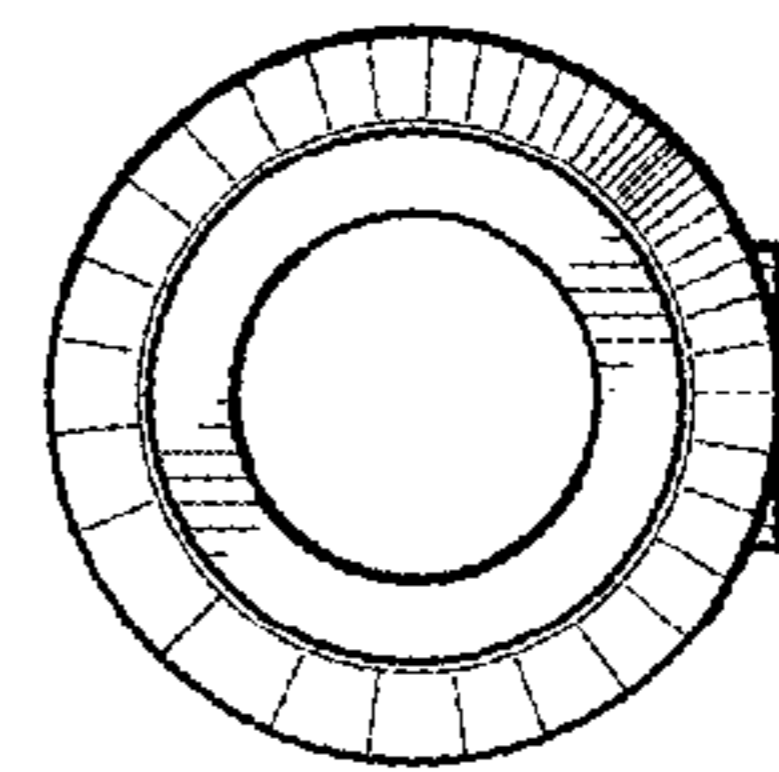
*Fig. 3.*



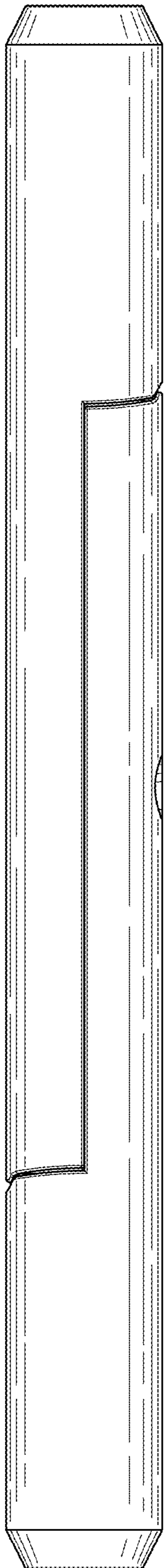
*Fig. 4.*



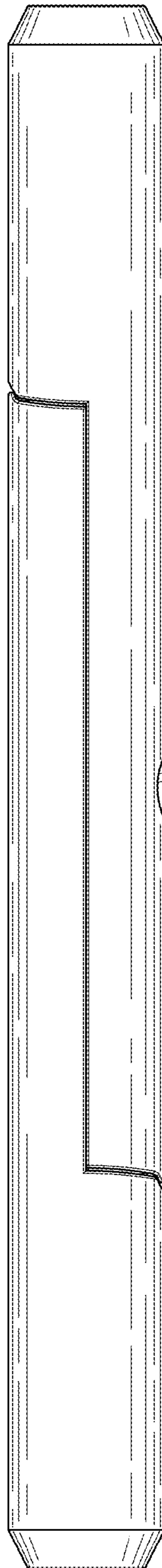
*Fig. 6.*



*Fig. 5.*

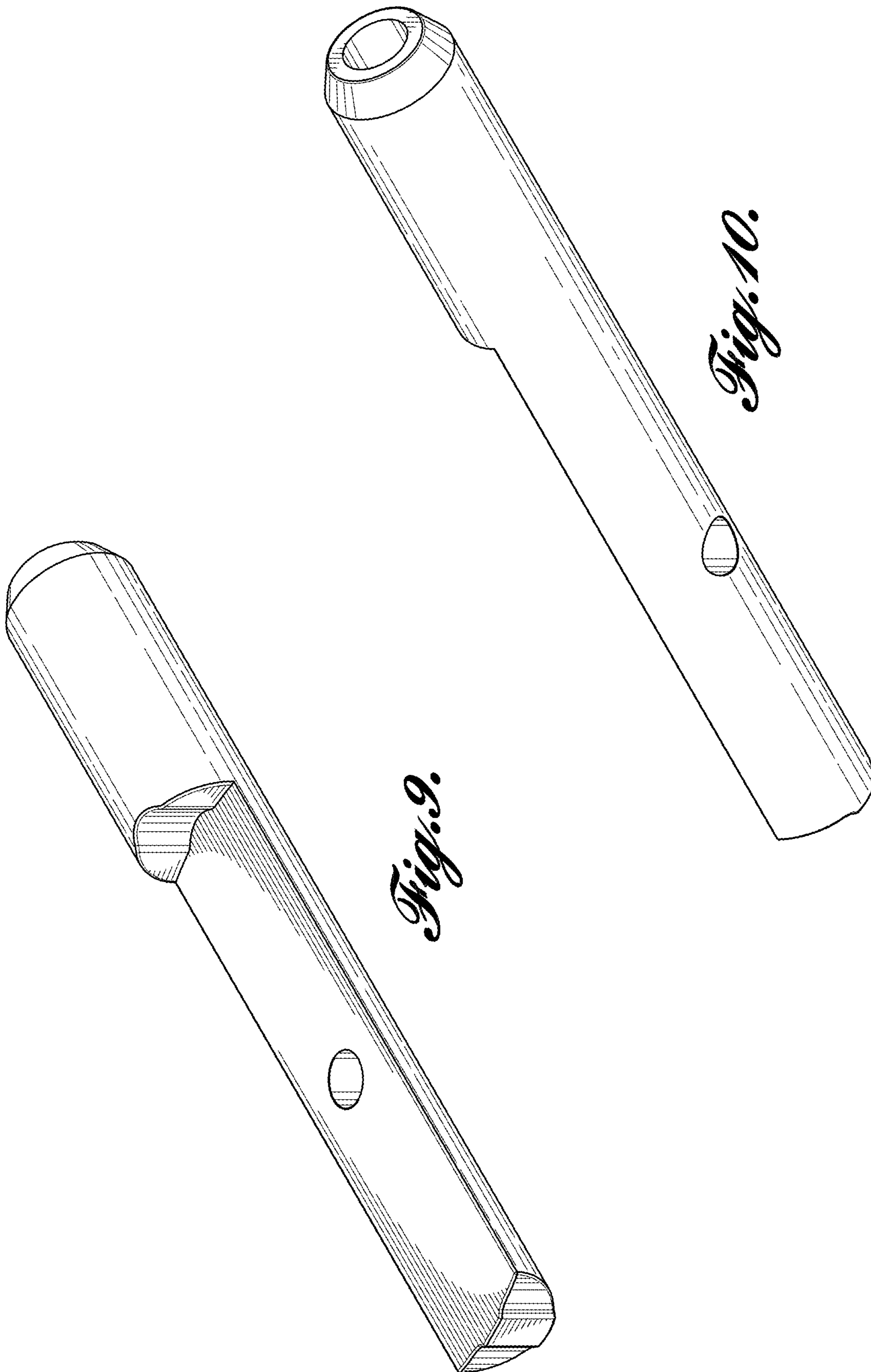


*Fig. 7.*



*Fig. 8.*

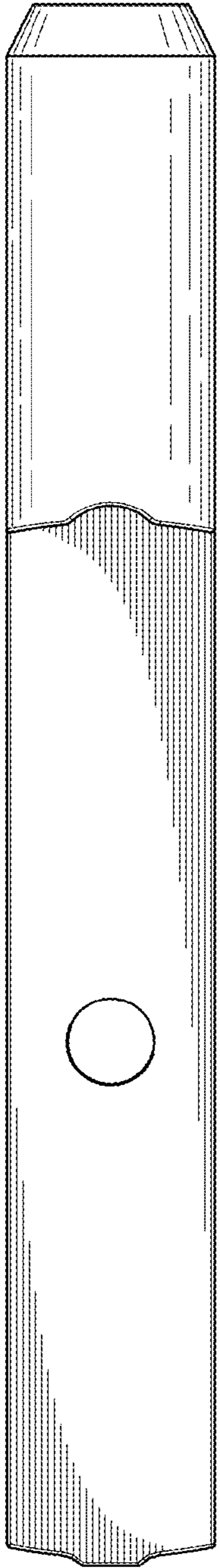




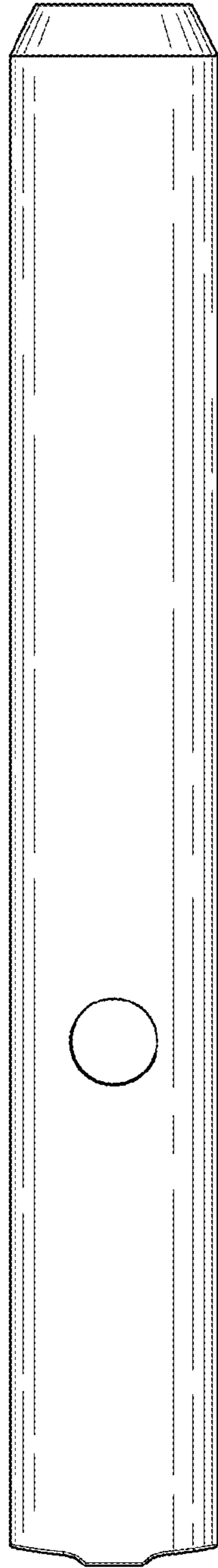
*Fig. 9.*

*Fig. 10.*

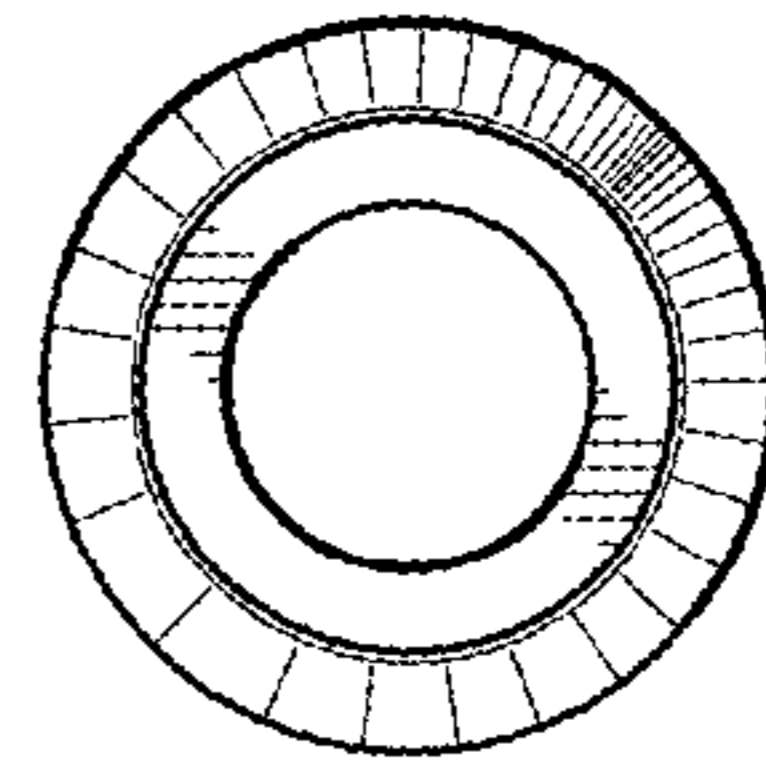




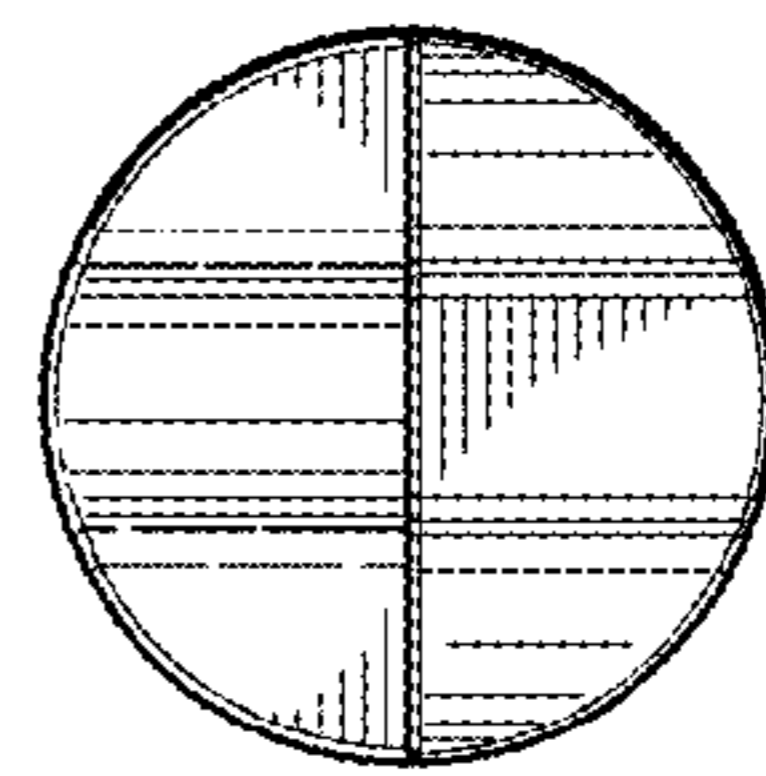
*Fig. 11.*



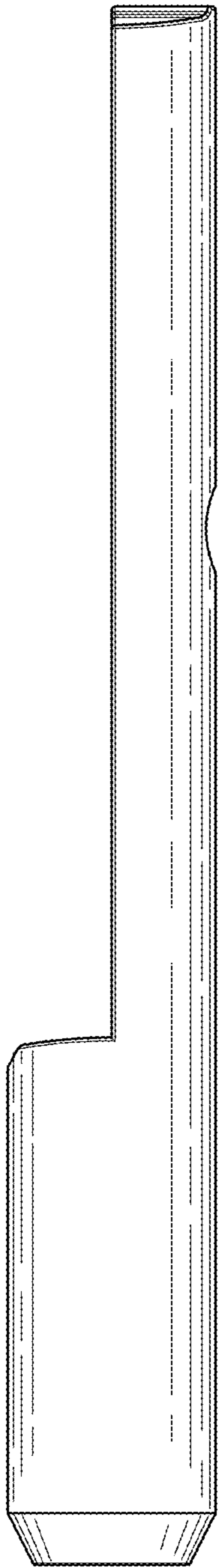
*Fig. 12.*



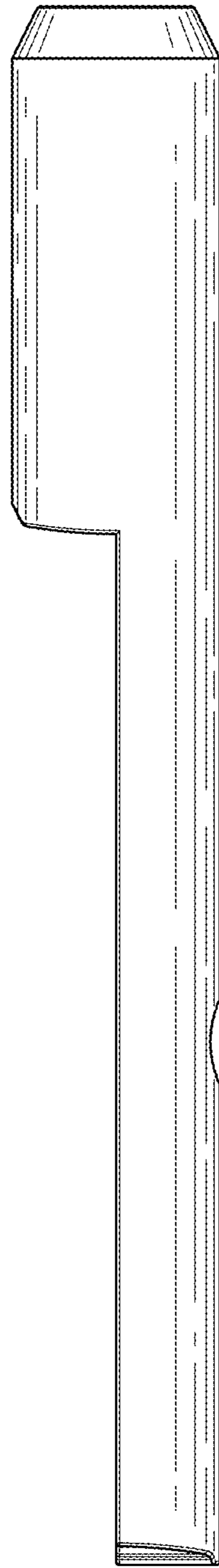
*Fig. 14.*



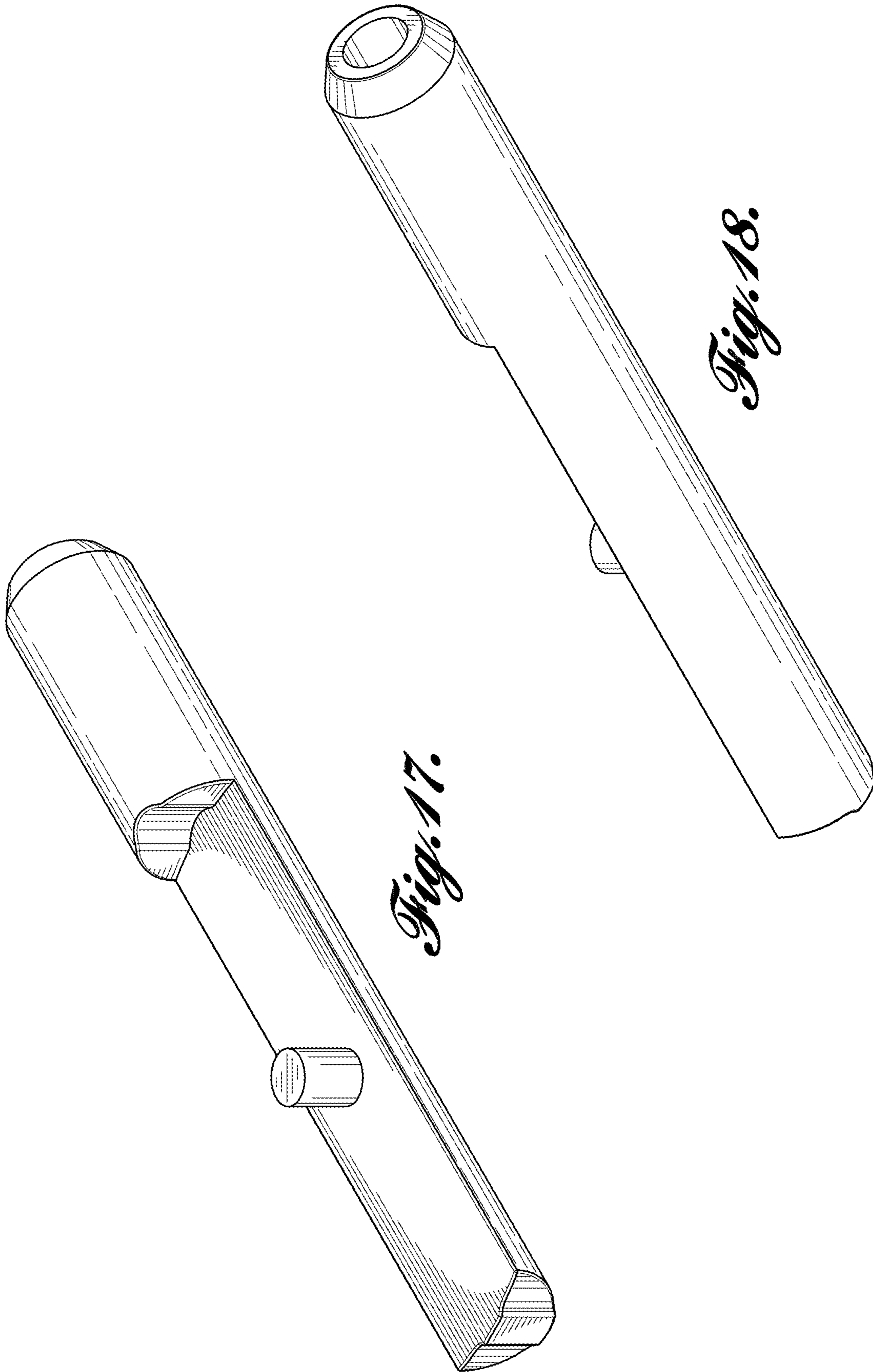
*Fig. 13.*



*Fig. 15.*



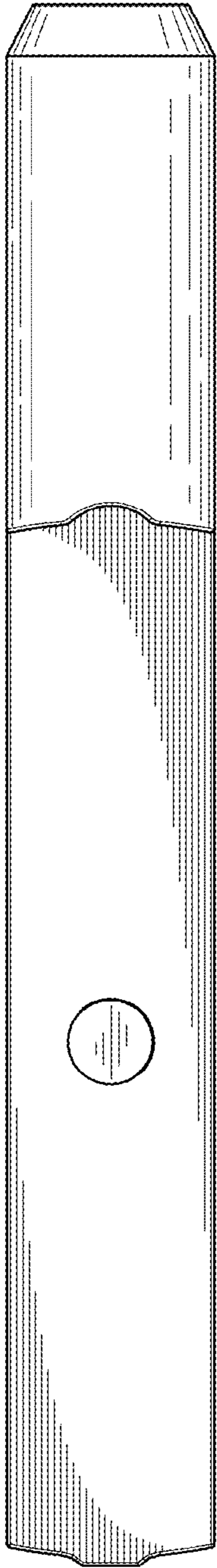
*Fig. 16.*



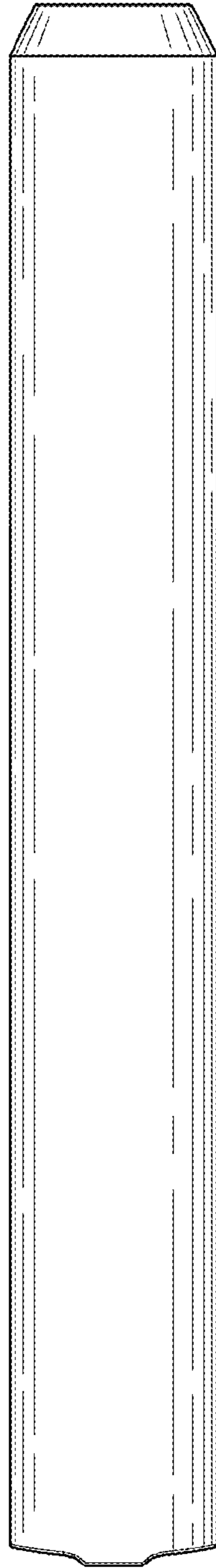
*Fig. 17.*

*Fig. 18.*

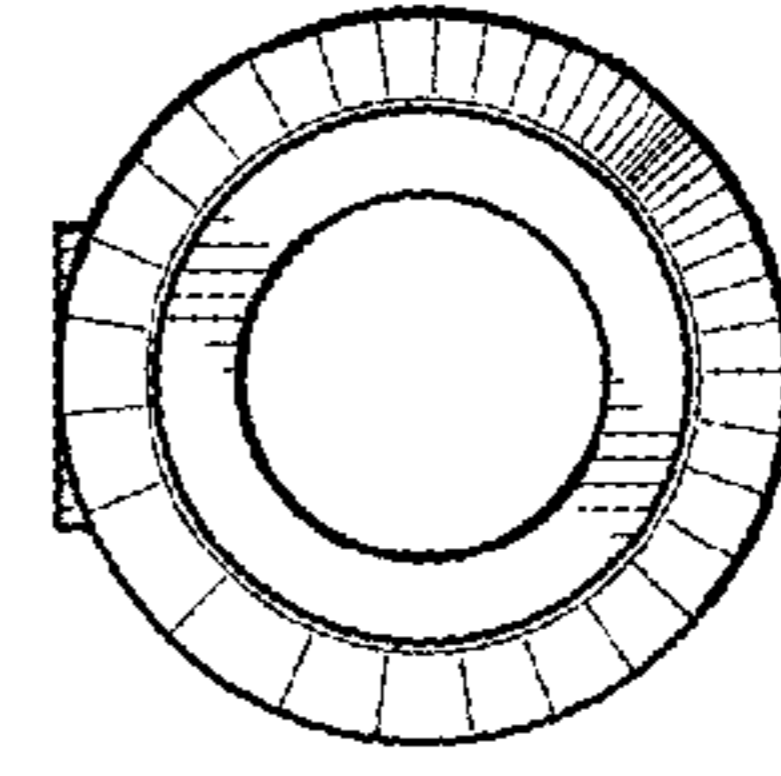




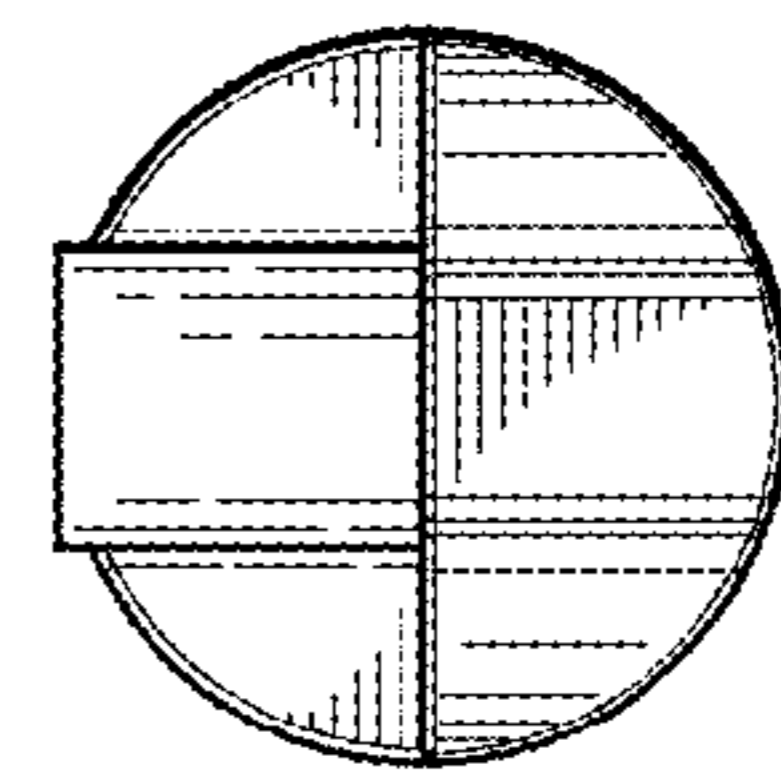
*Fig. 19.*



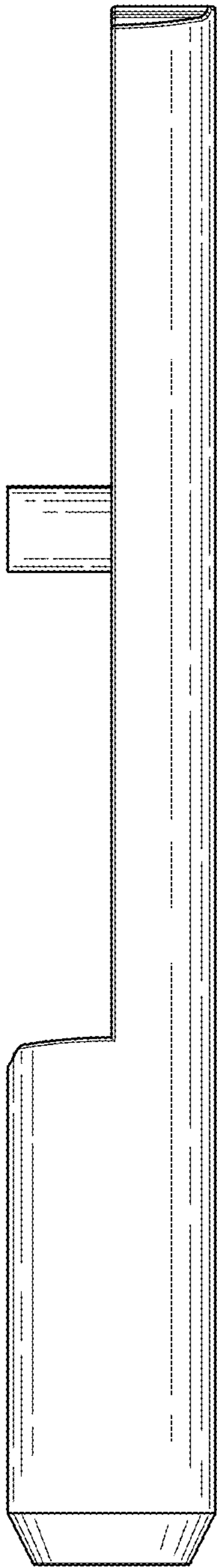
*Fig. 20.*



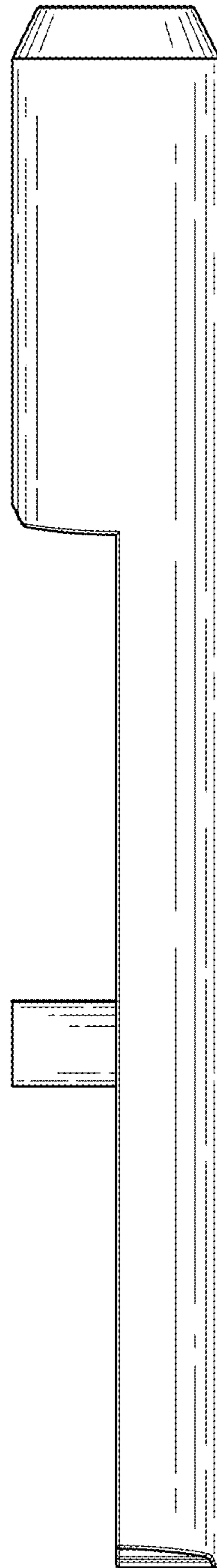
*Fig. 22.*



*Fig. 21.*



*Fig. 23.*



*Fig. 24.*