



US00D970855S

(12) **United States Design Patent**
Lin

(10) **Patent No.:** **US D970,855 S**

(45) **Date of Patent:** **** Nov. 29, 2022**

(54) **HAT WITH MUSIC PLAYER**

(71) Applicant: **Shenzhen Kaisi Liner Headwear & Garment Co., Ltd., Shenzhen (CN)**

(72) Inventor: **Junmei Lin, Yanshi (CN)**

(**) Term: **15 Years**

(21) Appl. No.: **29/832,572**

(22) Filed: **Mar. 29, 2022**

(51) **LOC (13) Cl.** **02-03**

(52) **U.S. Cl.**

USPC **D2/866; D14/192; D26/39**

(58) **Field of Classification Search**

USPC D2/865, 866, 867, 869, 870, 872, 873, D2/878, 879, 882, 883, 885, 886, 888, D2/889, 891, 895; D14/172, 205, 192; D26/39; D28/41

CPC .. A42B 1/00; A42B 1/004; A42B 1/02; A42B 1/04; A42B 1/041; A42B 1/061; A42B 1/062; A42B 1/066; A42B 1/12; A42B 1/24; A42B 1/242; A42B 1/225; A42B 1/248; A42C 5/00; H04R 1/02; H04R 1/105

See application file for complete search history.

(56) **References Cited**

U.S. PATENT DOCUMENTS

9,968,152 B2 * 5/2018 Chiang H04R 1/025
D846,839 S * 4/2019 Yim D2/889

D917,840 S * 5/2021 Guo D2/878
D919,243 S * 5/2021 Guo D2/878
D938,080 S * 12/2021 Li D26/38
D944,494 S * 3/2022 Peng D2/875
D945,748 S 3/2022 Peng
D964,958 S * 9/2022 Xiao D14/192
2017/0251741 A1 * 9/2017 Wang H04R 5/0335
2020/0037685 A1 * 2/2020 Graham A41D 1/002
2022/0061444 A1 * 3/2022 Gibson F21V 21/084

* cited by examiner

Primary Examiner — Jasmine Mlinarcik

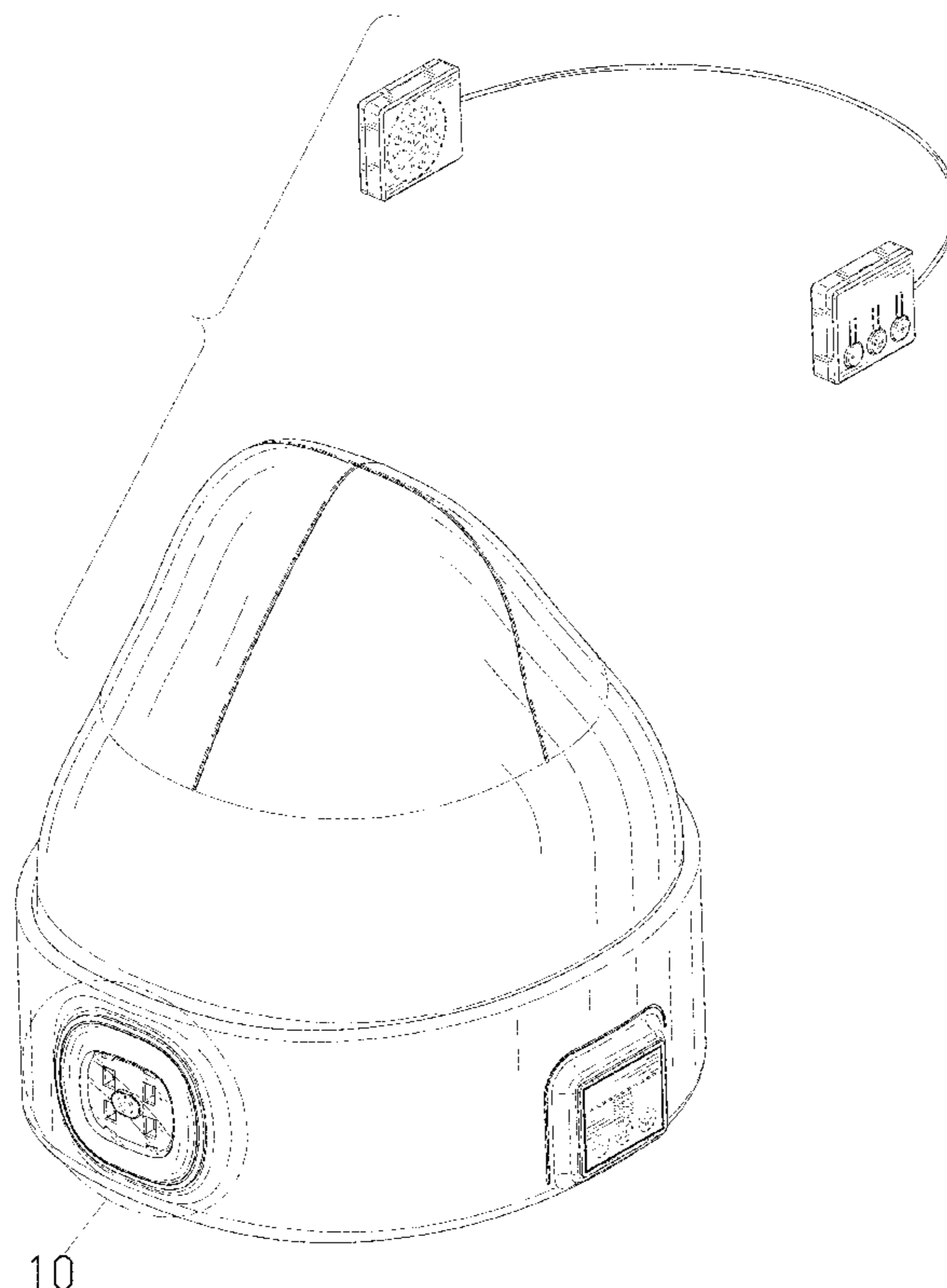
(57) **CLAIM**

The ornamental design for a hat with music player, as shown and described.

DESCRIPTION

FIG. 1 is a front perspective view of hat with music player, showing my new design;
FIG. 2 is a rear perspective view thereof;
FIG. 3 is a front view thereof;
FIG. 4 is a rear view thereof;
FIG. 5 is a left side view thereof;
FIG. 6 is a right side view thereof;
FIG. 7 is a top view thereof;
FIG. 8 is a bottom perspective view thereof;
FIG. 9 is a perspective view of the hat with music player shown in a disassembled state; and,
FIG. 10 is an enlarged view of portion 10 shown in FIG. 1. The broken lines and the unshaded areas adjacent to the broken lines in the drawings depict portions of the hat with music player that form no part of the claimed design.

1 Claim, 10 Drawing Sheets



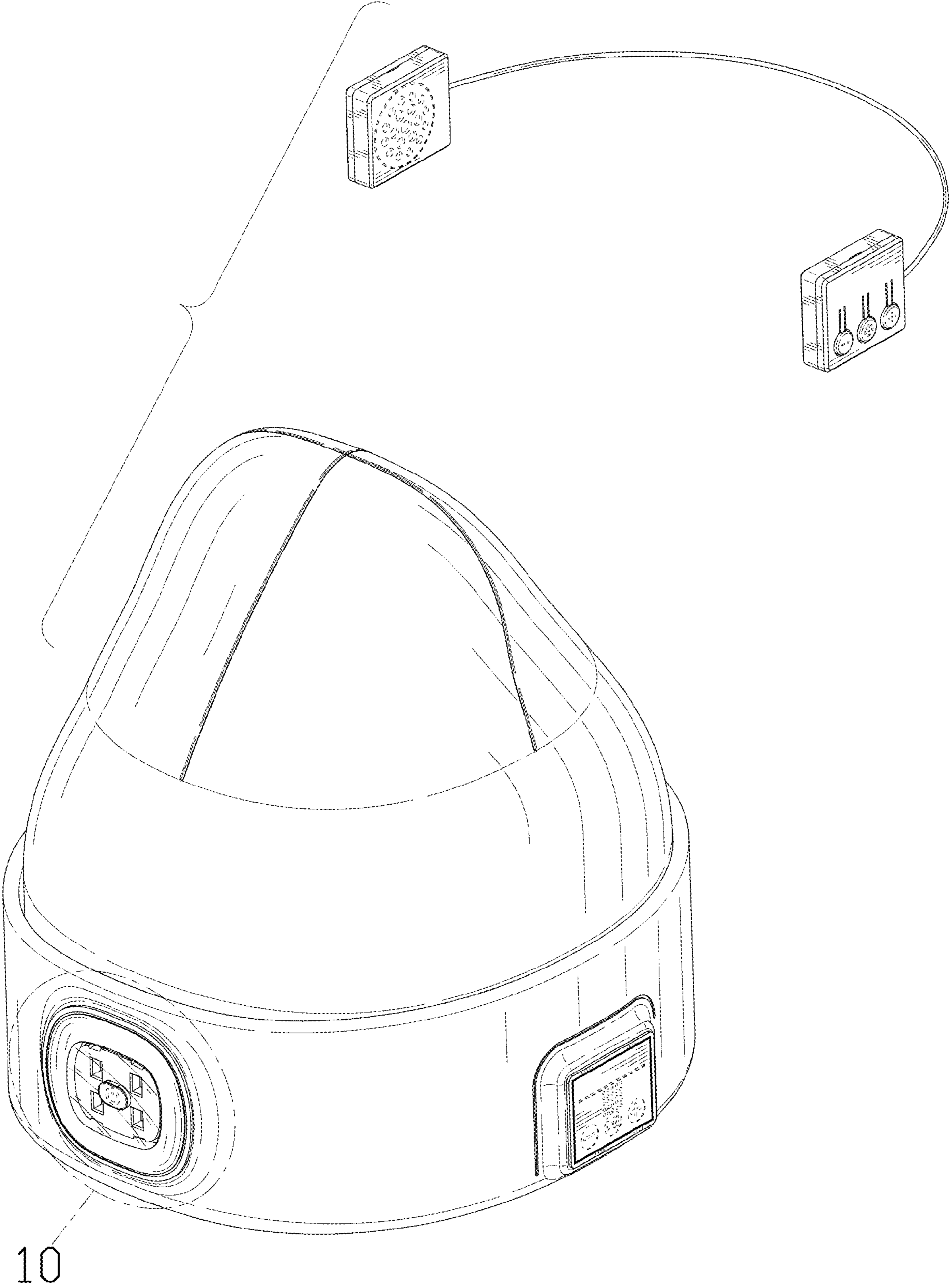


FIG. 1

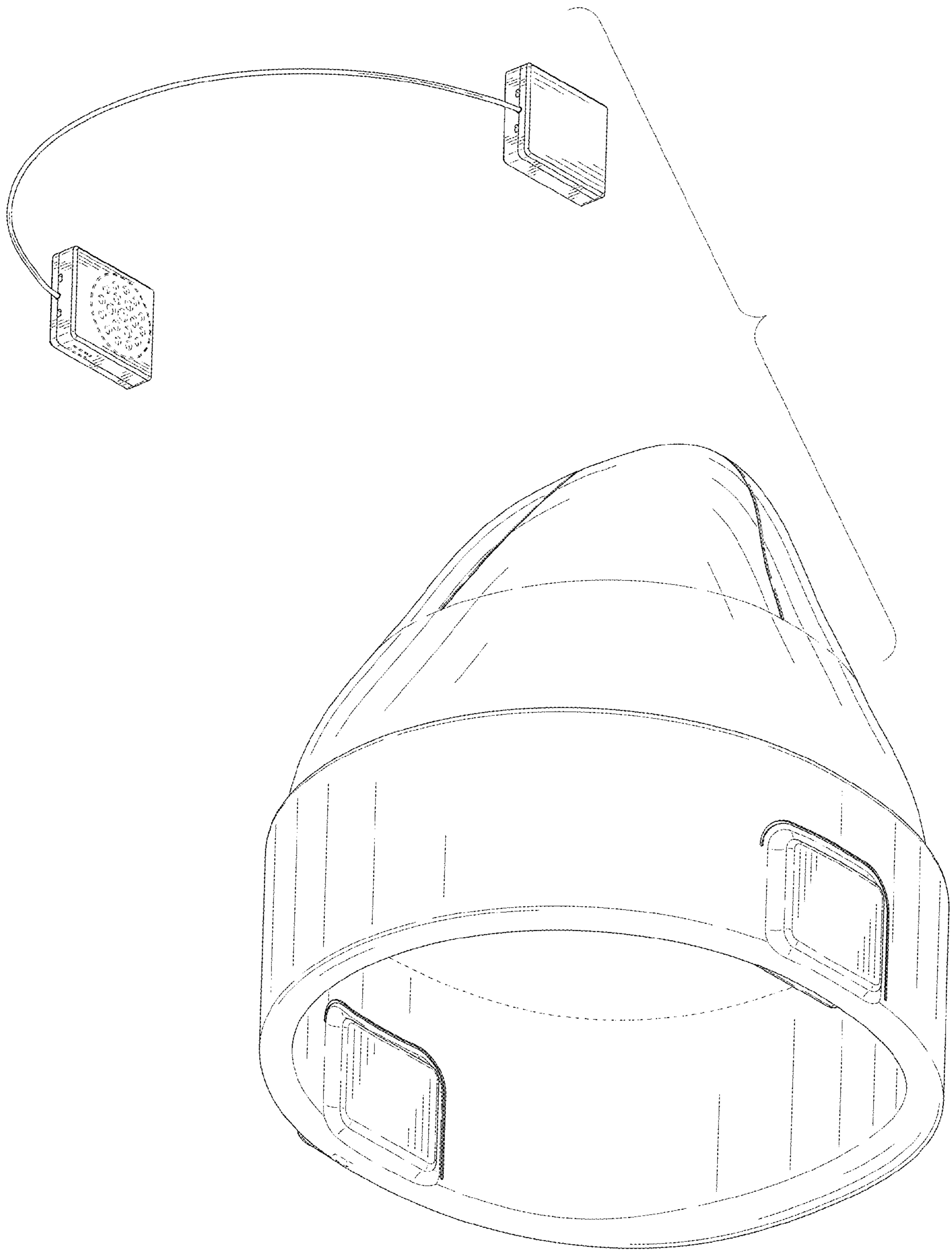


FIG. 2

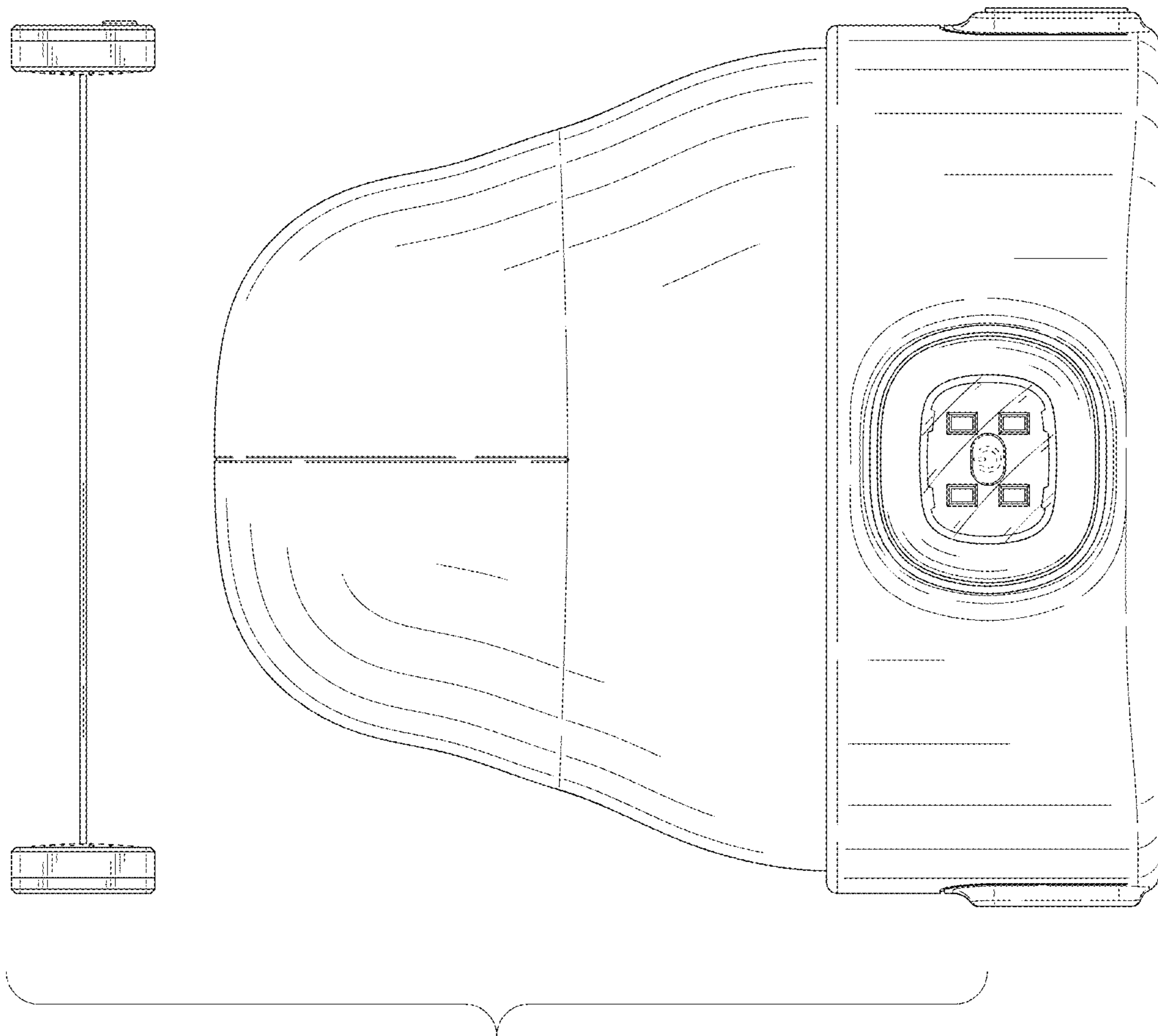


FIG. 3

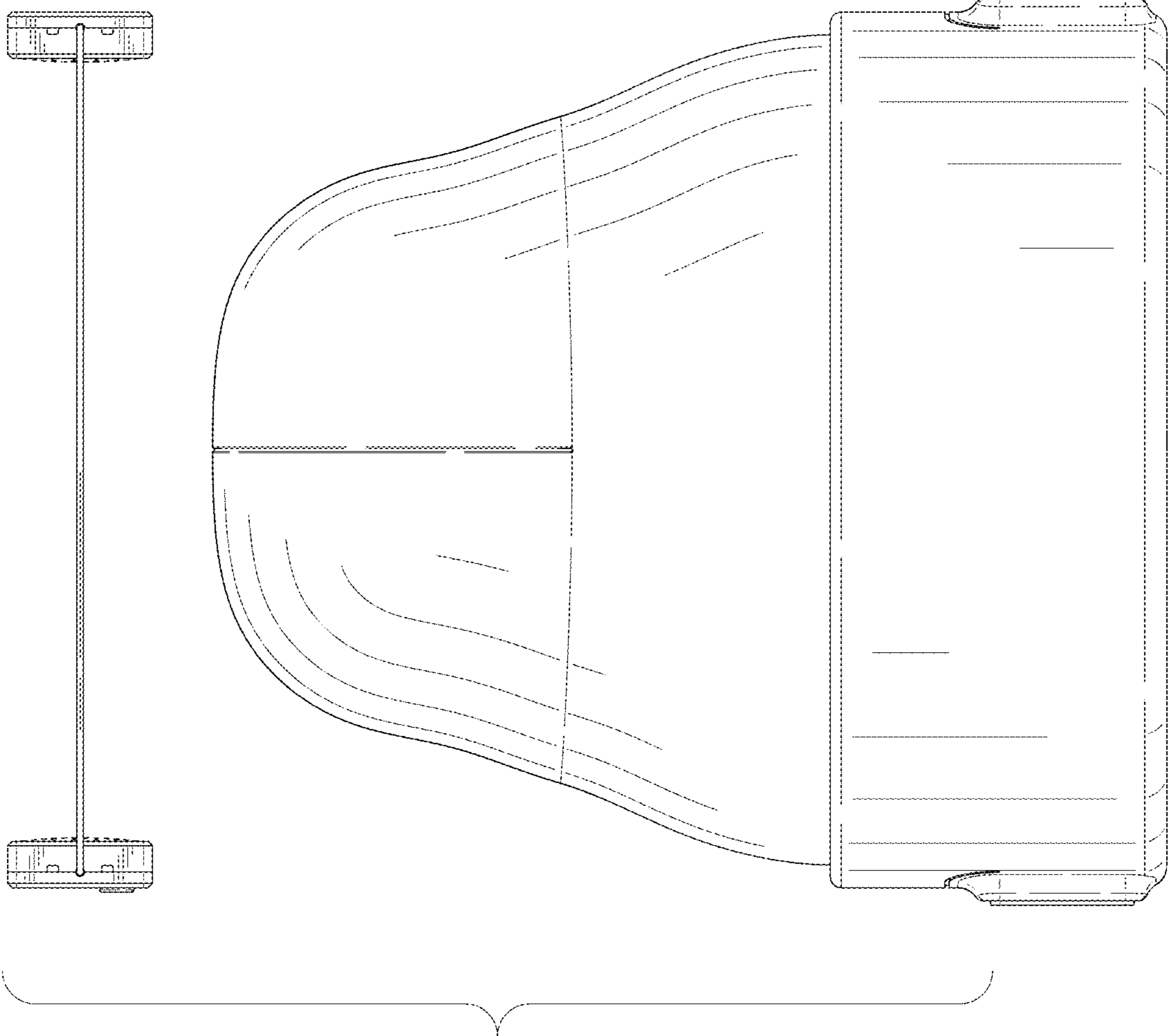


FIG. 4

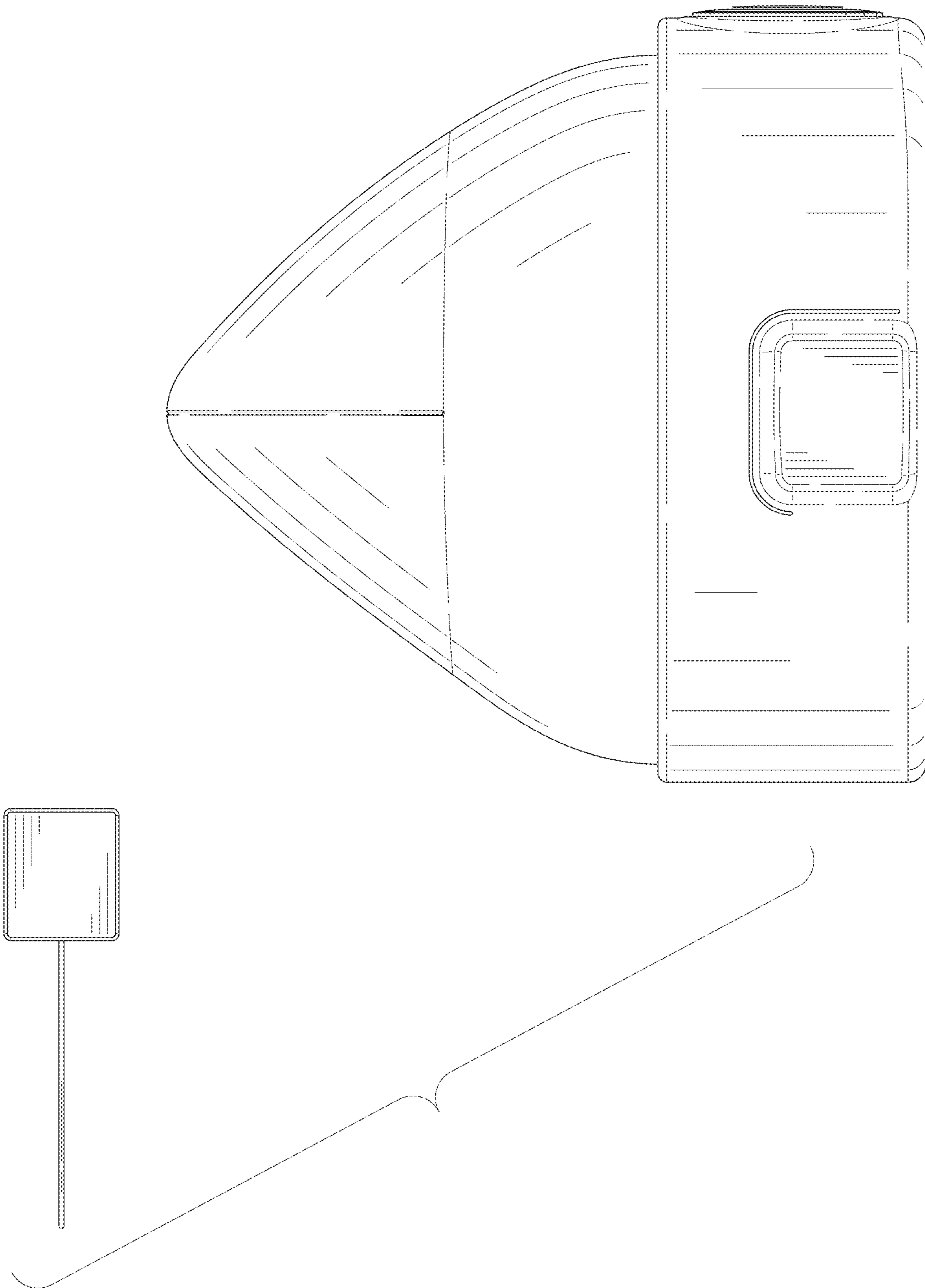


FIG. 5

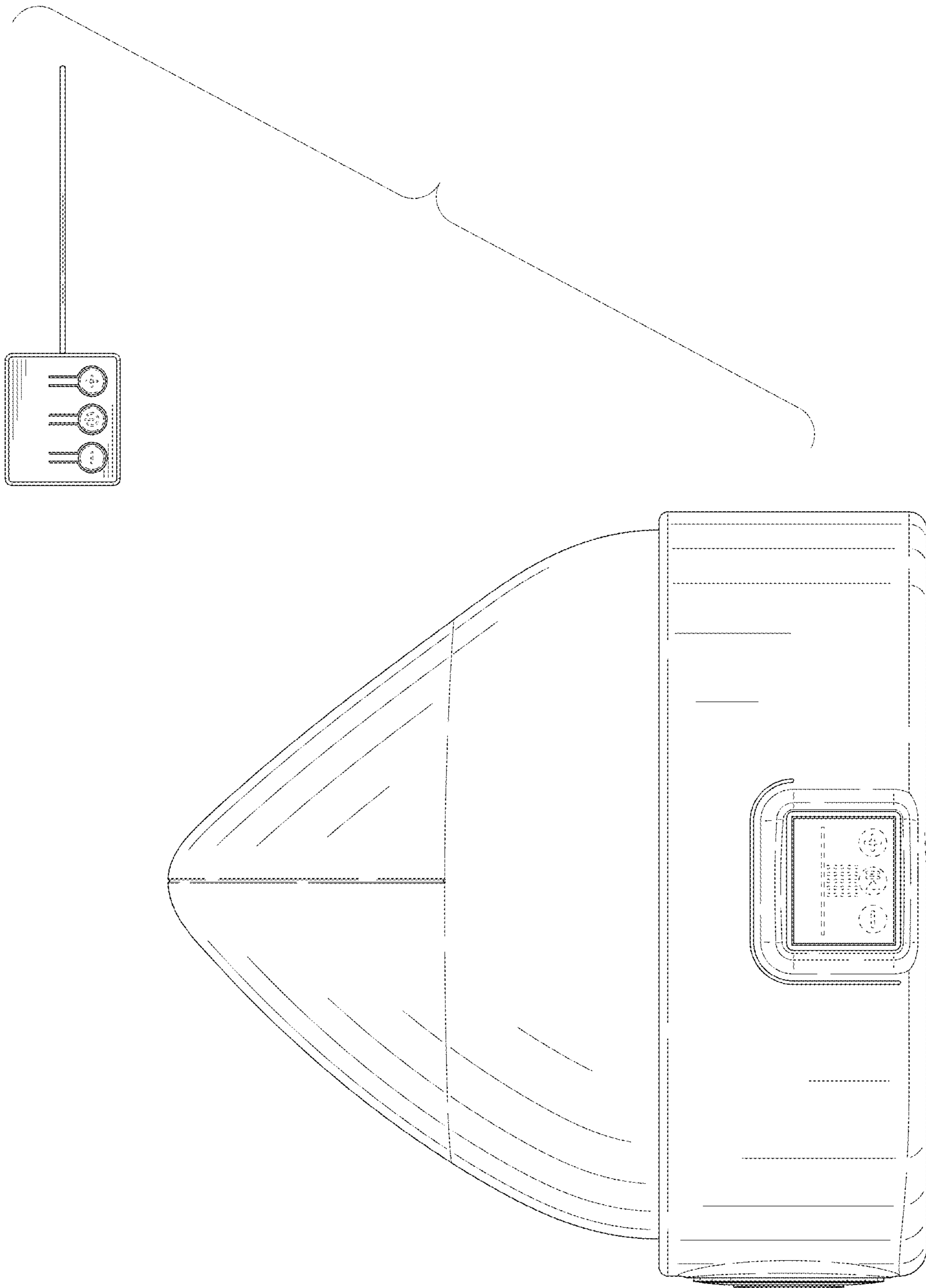


FIG. 6

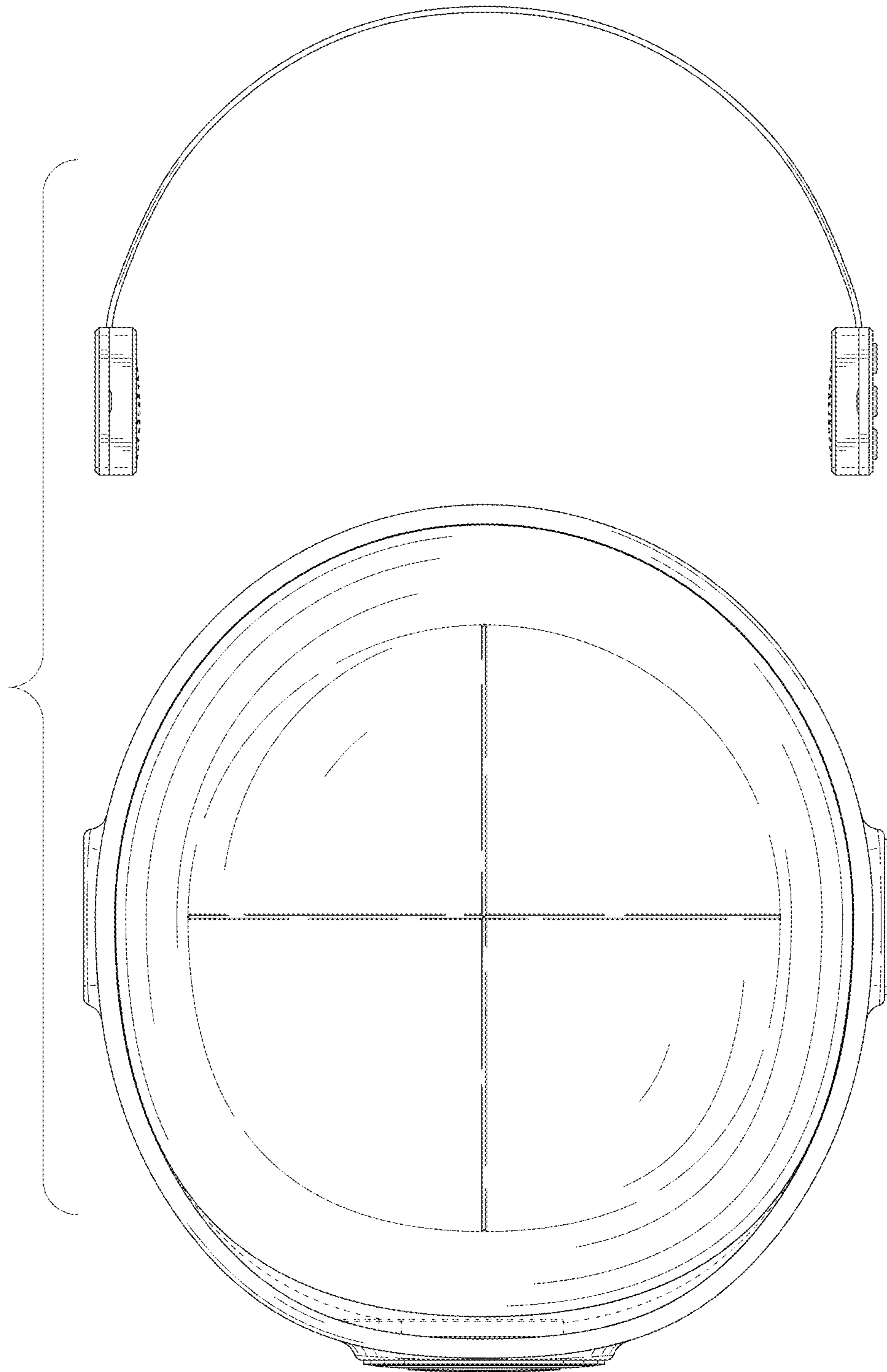


FIG. 7

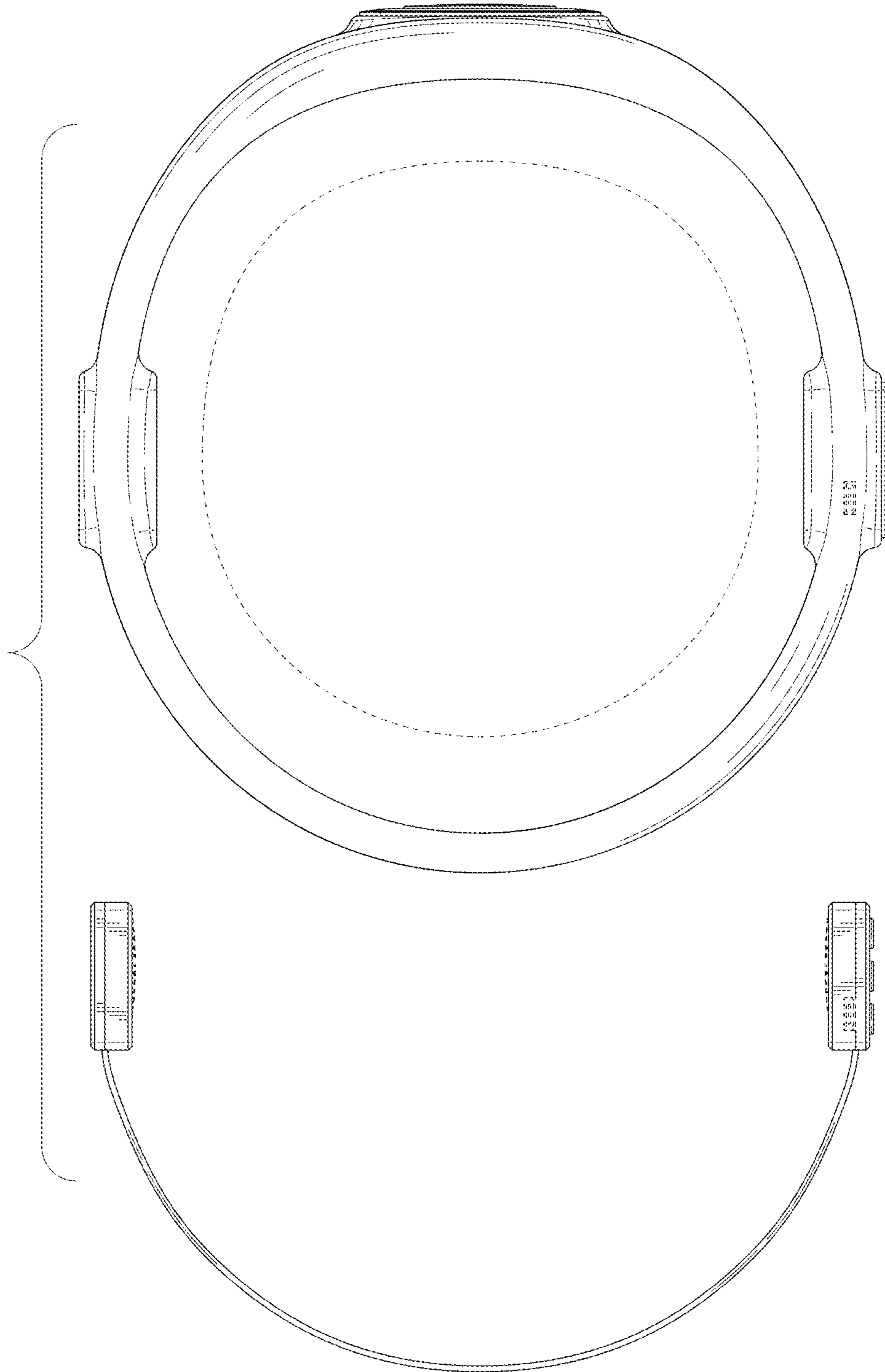


FIG. 8

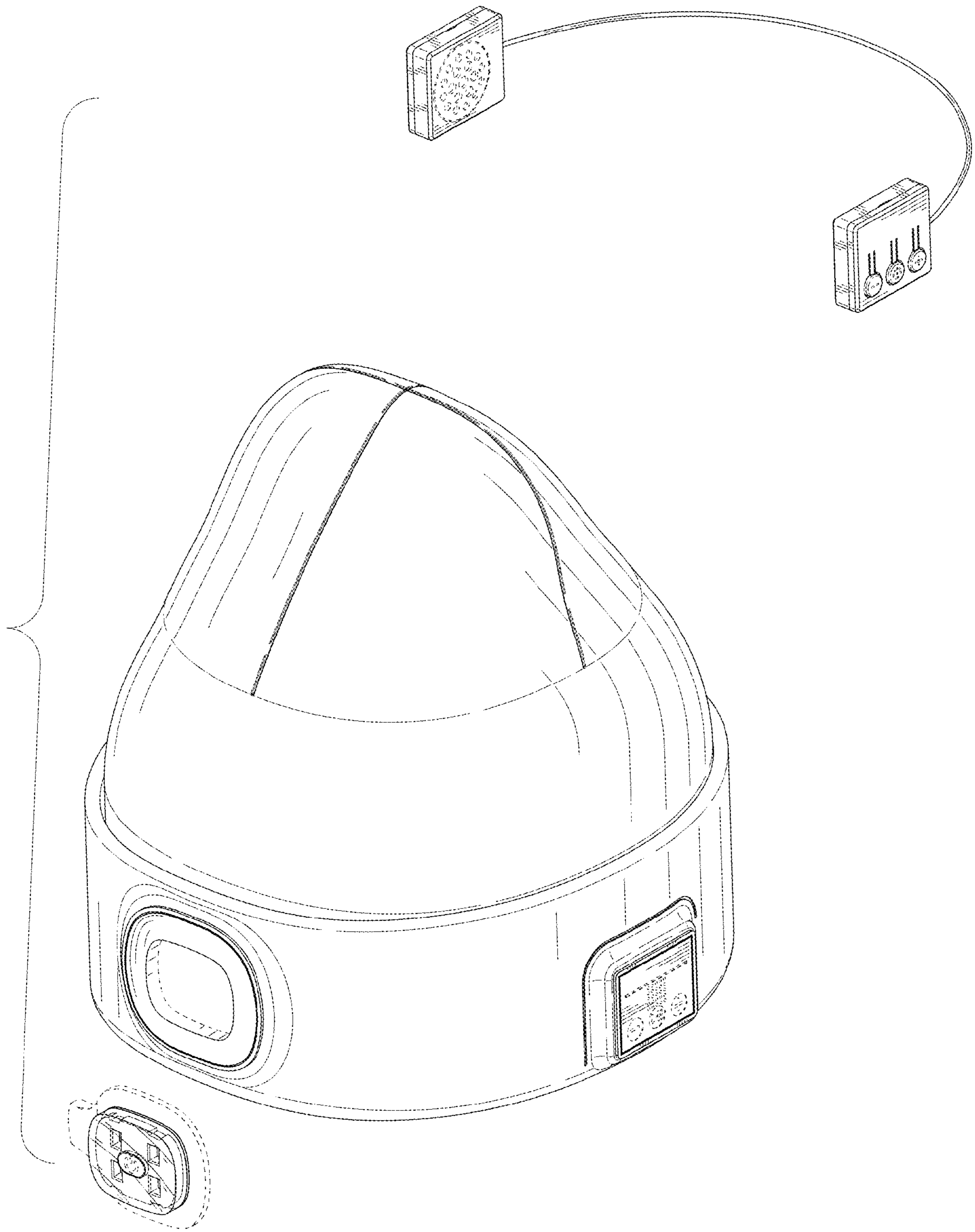


FIG. 9

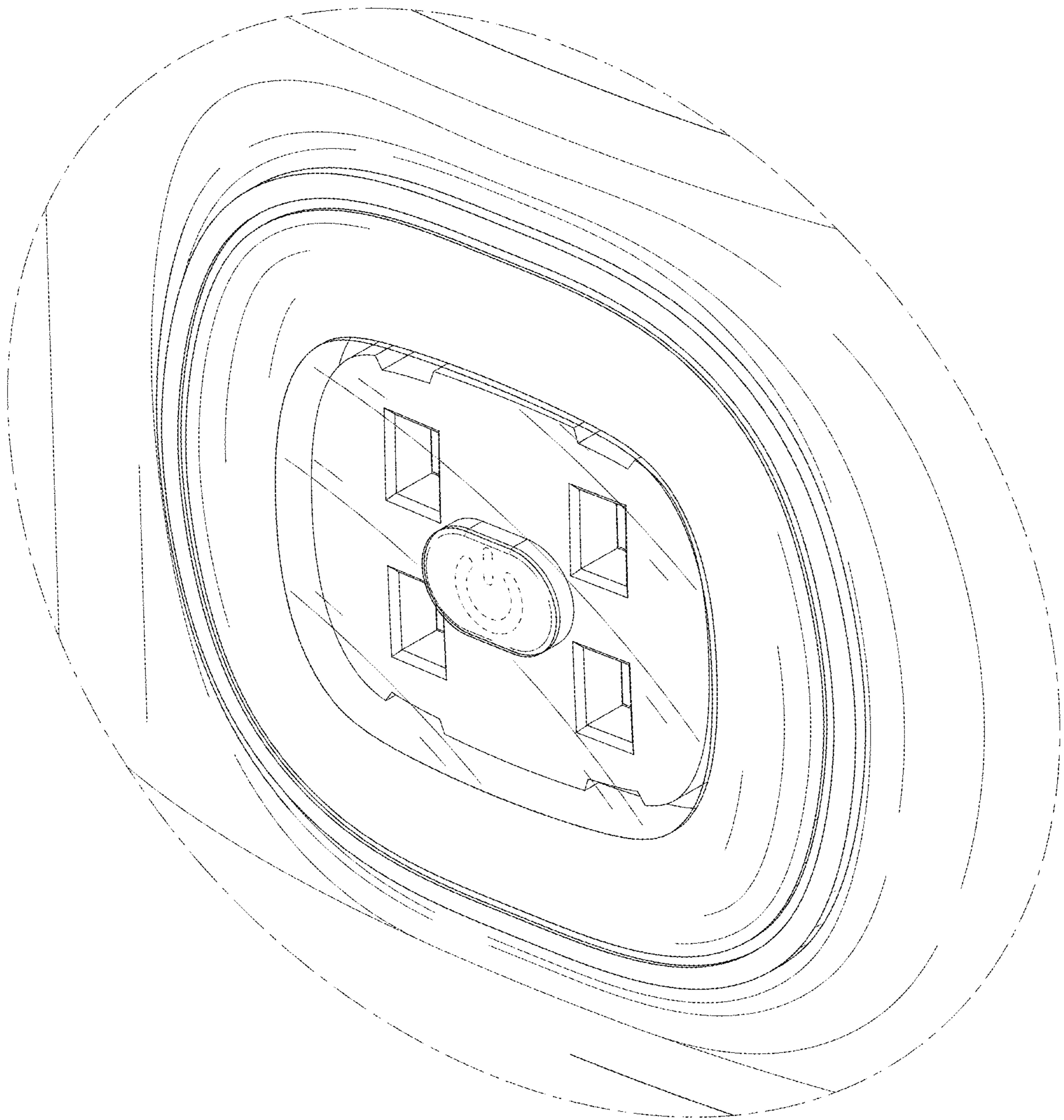


FIG. 10