



US00D970849S

(12) **United States Design Patent**  
**Okrusko**

(10) **Patent No.:** **US D970,849 S**

(45) **Date of Patent:** **\*\* \*Nov. 29, 2022**

(54) **WATER FLOTATION SUIT**

(71) Applicant: **Mark Okrusko**, Santa Barbara, CA  
(US)

(72) Inventor: **Mark Okrusko**, Santa Barbara, CA  
(US)

(73) Assignee: **Mark Okrusko**, Santa Barbara, CA  
(US)

(\* ) Notice: This patent is subject to a terminal disclaimer.

(\*\*) Term: **15 Years**

(21) Appl. No.: **29/798,173**

(22) Filed: **Jul. 6, 2021**

**Related U.S. Application Data**

(63) Continuation-in-part of application No. 29/679,665,  
filed on Feb. 8, 2019, now Pat. No. Des. 953,697,  
(Continued)

(51) **LOC (13) Cl.** ..... **02-02**

(52) **U.S. Cl.**  
USPC ..... **D2/732**

(58) **Field of Classification Search**  
USPC ..... D2/731, 732, 733, 738, 614, 623, 850  
(Continued)

(56) **References Cited**

**U.S. PATENT DOCUMENTS**

4,915,046 A \* 4/1990 Meistrell ..... A41D 27/24  
112/419  
5,013,271 A \* 5/1991 Bartlett ..... A41D 13/012  
441/106

(Continued)

**OTHER PUBLICATIONS**

Men's wetsuit with built-in flotation—Mad Jack Outdoor (on-line),  
no date available. Retrieved from Internet Mar. 29, 2021, URL:

<https://madjackoutdoor.com/collections/wetsuits/products/mens-wetsuit-with-built-in-floatation> (2 pages).

(Continued)

*Primary Examiner* — Kimberly Barnes

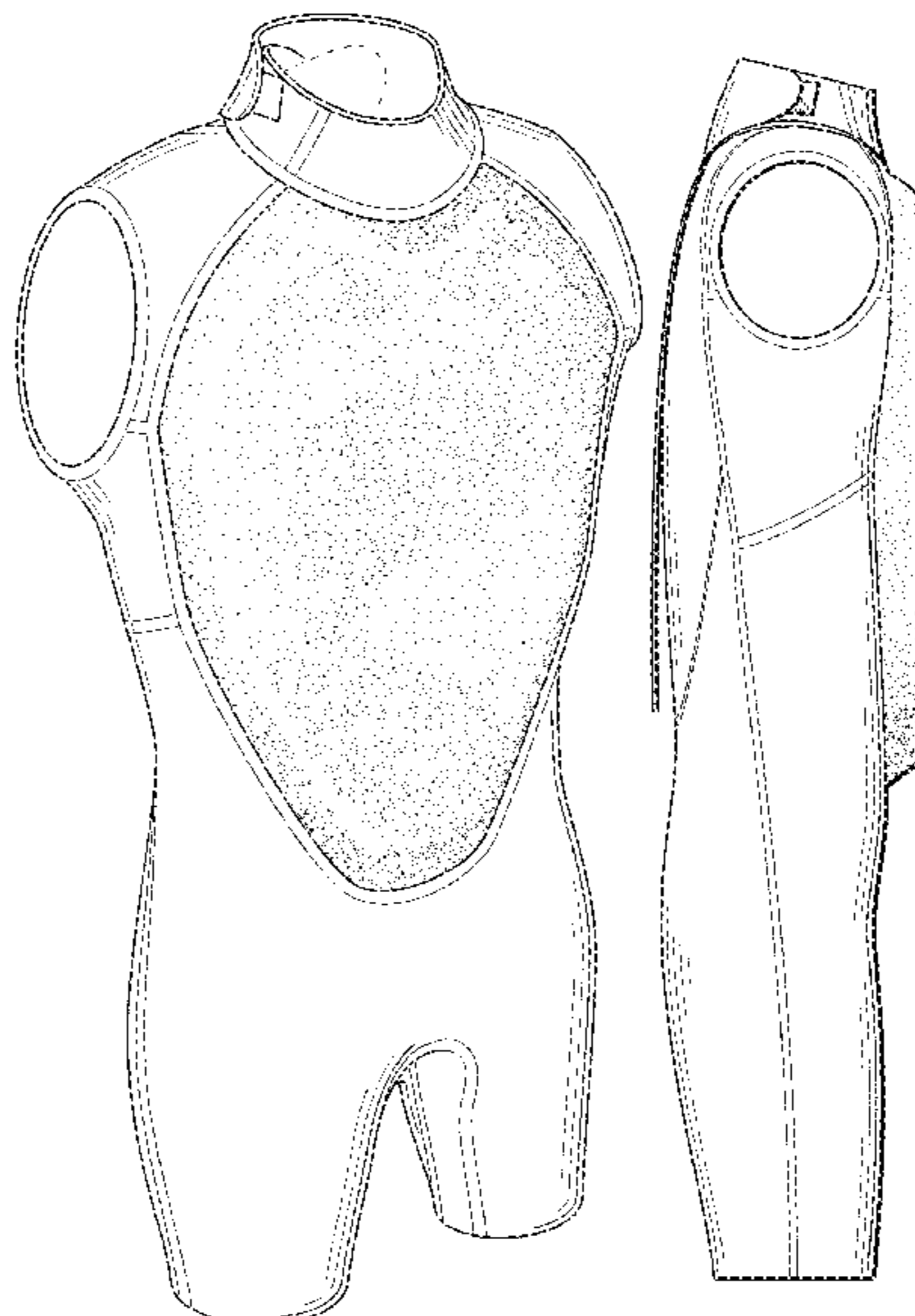
(57) **CLAIM**

The ornamental design for a water flotation suit, as shown and described herein.

**DESCRIPTION**

FIG. 1 is top, front, left side perspective view of an embodiment of a water flotation suit embodying a novel design; FIG. 2 is a front elevation view of the embodiment of FIG. 1; FIG. 3 is a rear elevation view of the embodiment of FIG. 1; FIG. 4 is a left side elevation view of the embodiment of FIG. 1; FIG. 5 is a right side elevation view of the embodiment of FIG. 1; FIG. 6 is a top plan view of the embodiment of FIG. 1; and FIG. 7 is a bottom plan view of the embodiment of FIG. 1; FIG. 8 is top, front, left side perspective view of another embodiment of a water flotation suit embodying a novel design; FIG. 9 is a front elevation view of the embodiment of FIG. 8; FIG. 10 is a rear elevation view of the embodiment of FIG. 8; FIG. 11 is a left side elevation view of the embodiment of FIG. 8; FIG. 12 is a right side elevation view of the embodiment of FIG. 8; FIG. 13 is a top plan view of the embodiment of FIG. 8; and, FIG. 14 is a bottom plan view of the embodiment of FIG. 8. The broken lines shown are included for the purpose of illustrating portions of the water flotation suit that form no part of the claimed design.

**1 Claim, 10 Drawing Sheets**



**Related U.S. Application Data**

which is a continuation-in-part of application No. 29/582,642, filed on Oct. 28, 2016, now Pat. No. Des. 840,130.

(58) **Field of Classification Search**

CPC ..... A41D 2300/50; A41D 2400/38; A41D 2600/10; A41D 13/00; A41D 13/0002; A41D 13/0005; A41D 13/0015; A41D 13/015; A41D 13/05; B63C 11/04; B63C 2011/043; B63C 2011/046; B63C 11/08; A63B 71/12; A63B 2071/1208; A41B 1/08

See application file for complete search history.

(56) **References Cited**

U.S. PATENT DOCUMENTS

5,106,331 A \* 4/1992 Lizarazu ..... A41D 2400/24  
441/74

5,896,578 A 4/1999 Hunter

D409,819 S \* 5/1999 Gilchrist ..... D2/731

5,898,934 A \* 5/1999 Hunter ..... B63C 11/04  
2/2.15

6,526,584 B1 \* 3/2003 Hunter ..... B63C 11/04  
2/2.15

D510,794 S \* 10/2005 Rice ..... D2/840

7,181,772 B2 \* 2/2007 Gillen ..... A41D 13/0153  
2/102

7,351,126 B2 4/2008 Turner

7,665,148 B2 \* 2/2010 Zorica ..... A41D 13/012  
2/2.15

8,231,421 B1 7/2012 Hubbard

8,393,012 B2 \* 3/2013 Shiue ..... A41D 13/012  
2/2.15

8,539,616 B2 9/2013 Beland

8,578,512 B2 11/2013 Moore

9,056,662 B2 6/2015 Molyneux

D761,521 S 7/2016 McArthur

D771,904 S 11/2016 McArthur

9,493,218 B2 \* 11/2016 Gadler ..... A41D 13/012

D775,784 S 1/2017 Puni

9,790,625 B2 \* 10/2017 Hussey ..... D03D 15/56

D801,635 S 11/2017 Kositchiranant

9,963,210 B1 5/2018 Ebot

10,045,577 B2 \* 8/2018 Demarest ..... A41B 1/08

10,098,391 B2 \* 10/2018 Gordon ..... A41D 1/04

10,188,158 B2 \* 1/2019 Molyneux ..... A41D 13/012

D840,130 S \* 2/2019 Okrusko ..... D2/732

10,463,089 B2 \* 11/2019 Cheuk ..... B63C 11/04

10,531,697 B2 \* 1/2020 Hussey ..... A41D 27/245

10,595,575 B2 3/2020 Baker

10,729,188 B2 \* 8/2020 Meillassoux ..... B63C 11/04

D909,711 S \* 2/2021 Liu ..... D2/732

11,123,012 B2 \* 9/2021 Fridman ..... A61B 5/6804

11,154,100 B2 \* 10/2021 Molyneux ..... A41D 13/012

D953,697 S \* 6/2022 Okrusko ..... D2/732

2005/0204454 A1 \* 9/2005 Wu ..... B63C 11/04  
2/215

2007/0006356 A1 1/2007 Shiue

2007/0006365 A1 \* 1/2007 Shiue ..... A41D 31/065  
2/215

2007/0294797 A1 \* 12/2007 Furgerson ..... B63C 9/093  
2/2.15

2008/0216218 A1 9/2008 McKinney

2012/0023631 A1 \* 2/2012 Fischer ..... B63C 11/04  
2/2.15

2013/0125284 A1 \* 5/2013 Shiue ..... B63C 11/04  
2/2.15

2014/0033390 A1 \* 2/2014 Falken ..... B32B 7/12  
442/221

2016/0157532 A1 \* 6/2016 Shiue ..... B29C 66/43  
2/2.15

2017/0099899 A1 \* 4/2017 Pezzimenti ..... A41D 31/125

2018/0332909 A1 \* 11/2018 Quaglia ..... A41D 7/00

2018/0364011 A1 \* 12/2018 Blakeley ..... F41H 1/02

2019/0031306 A1 \* 1/2019 Tingstad ..... A41D 31/24

2019/0133214 A1 \* 5/2019 Brown ..... A41D 27/02

2019/0331463 A1 \* 10/2019 Strum ..... F41H 5/0471

2020/0079482 A1 \* 3/2020 Bowman ..... B63C 11/04

2020/0120999 A1 \* 4/2020 Mason ..... A41D 13/0015

2020/0375279 A1 12/2020 Yoshida

OTHER PUBLICATIONS

U Can't Sink This Wetsuit (on-line), dated Sep. 16, 2017. Retrieved from Internet Mar. 29, 2021, URL: <https://www.youtube.com/watch?v=F75WKDbotpHA> (1 page) (Year: 2017).

Floater—The Wetsuit of the Future by Mark Okrusko—Kickstarter (on-line), dated Oct. 6, 2017. Retrieved from Internet Mar. 29, 2021, URL: <https://www.kickstarter.com/projects/1421850289/floater-the-wetsuit-of-the-future> (13 pages) (Year: 2017).

Lifeguard Back in the Water after Recovering from Brain Surgery (on-line), dated Oct. 2, 2018. Retrieved from Internet Mar. 29, 2021, URL: <https://www.youtube.com/watch?v=lafXyfyW7BQ> (1 page) (Year: 2018).

Near-Death Experience Inspires Inventor to Create Wetsuit (on-line), dated Feb. 17, 2019. Retrieved from Internet Mar. 29, 2021, URL: <https://www.goodnewsnetwork.org/near-death-experience-inspires-inventor-to-create-wetsuit-that-allows-the-disabled-to-swim-once-more/> (2 pages) (Year: 2019).

A wetsuit with built-in floatation—oceanactivehardware (on-line), dated Dec. 16, 2019. Retrieved from Internet Mar. 29, 2021, URL: <https://www.oceanactive.com.au/blogs/news/a-wetsuit-with-buill-in-floatation> (2 pages) (Year: 2019).

Men Full Body/One-piece Super-stretch WetSuit for Diving and Swimming (on-line), no date available. Retrieved from Internet Nov. 16, 2017, URL: <https://www.lazada.com.ph/men-full-bodyone-piece-super-stretch-wetsuit-fo-r-diving-and-swimming-black-8085092.html?spm-a2o4l.category.0.0.67649e32t4-MGfQ&ff-1&sc=EdtU> (2 pages).

New Kind of Flotation Suit by Airtime Watertime (on-line), dated Sep. 13, 2017. Retrieved from Internet Dec. 5, 2017, URL: <https://www.airtimewatertime.com/news> (5 pages).

Surf suit/wetsuit/shorty/unisex—Hammer 2/1 MM Spring—O'Neill Inc. (on-line), dated Nov. 10, 2017. Retrieved from Internet Dec. 6, 2017, URL: <https://web.archive.org/web/20171110012153/http://www.nauticexpo.com-/prod/o-neill-inc/product-24858-454154.html> (1 page).

O'Neill Wetsuits Mens Reactor 3/2mm Full (on-line), no date available. Retrieved from Internet Dec. 6, 2017, URL: <https://www.boylos.co.uk/oneill-wetsuits-mens-reactor-3-2mm-full.html> (1 page).

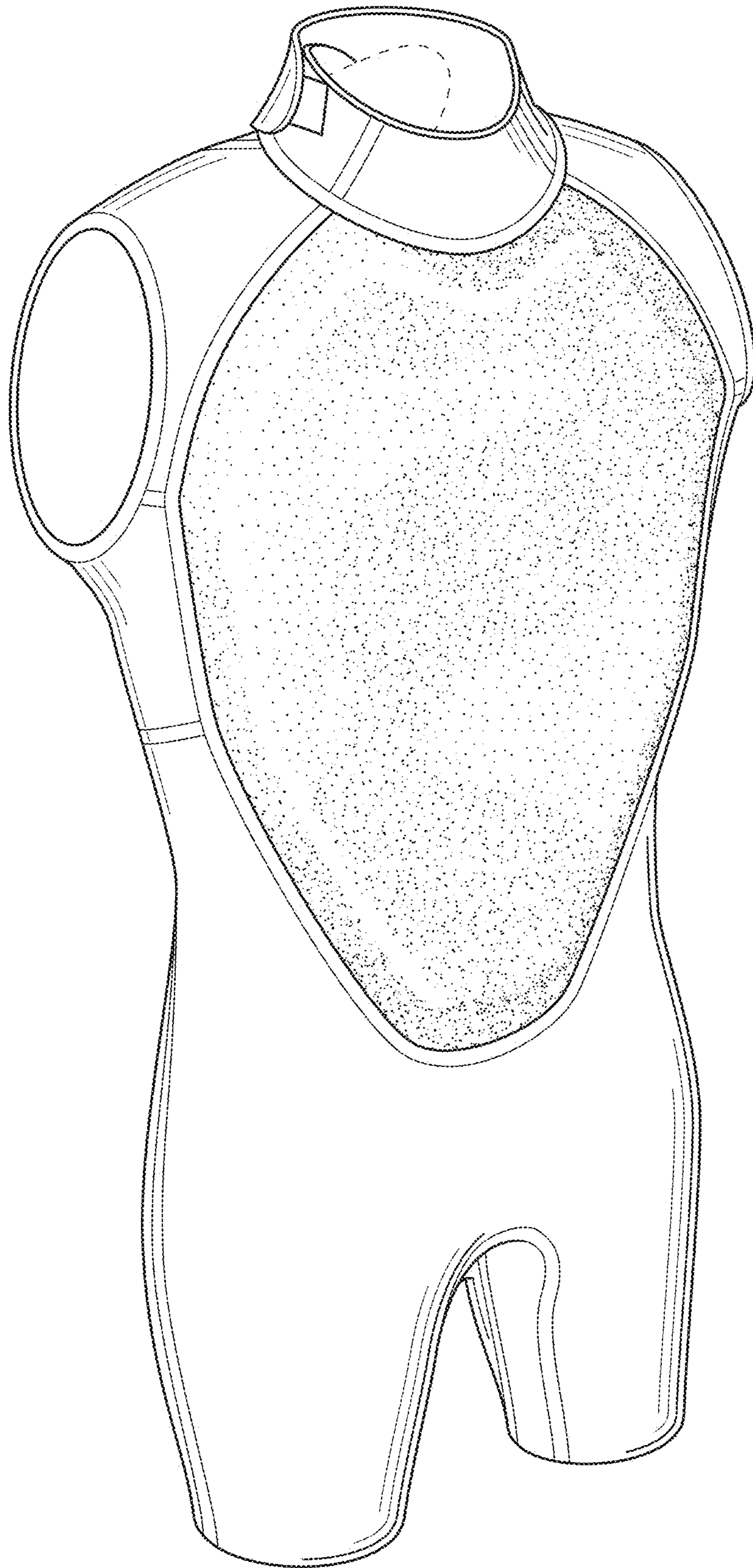
<http://www.adventureswimonline.com/wetsuitsmens/>.

<https://www.youtube.com/watch?v=wPpcMZU4JHE>; Dated Oct. 12, 2009.

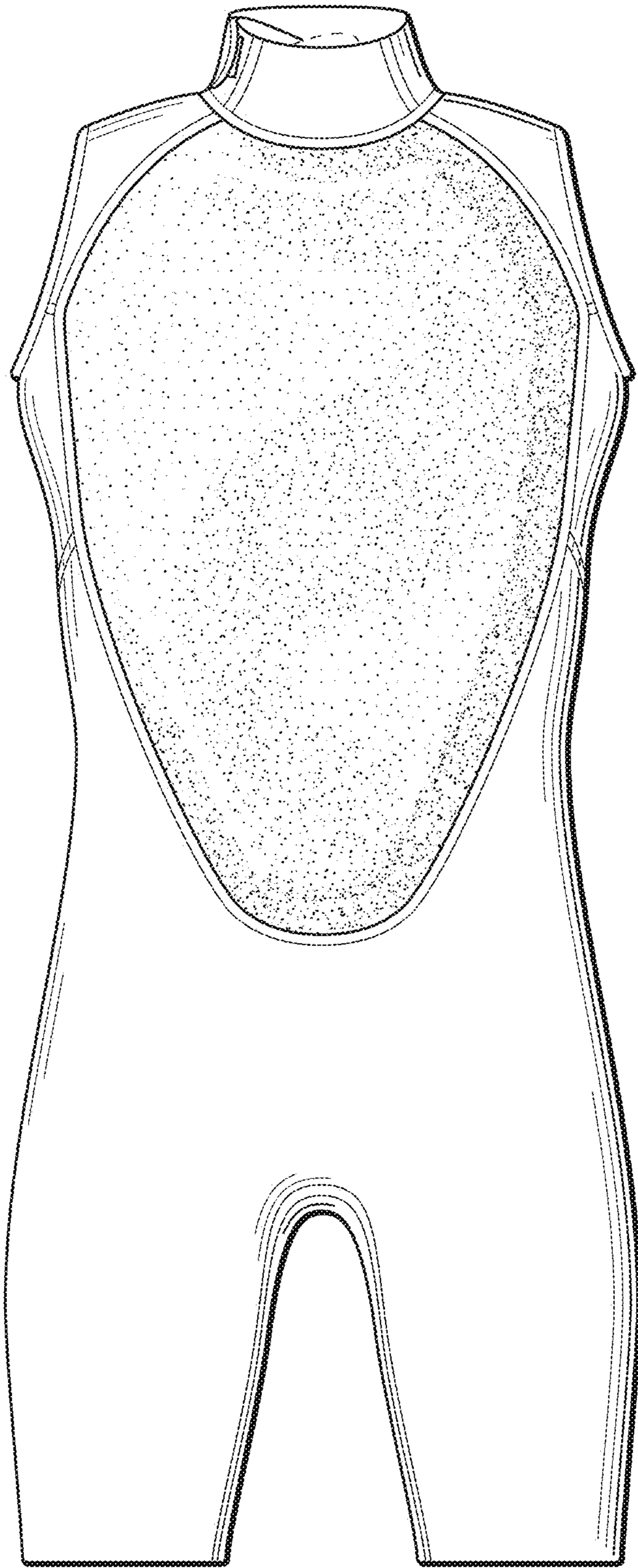
Office Action dated Aug. 31, 2021 for U.S. Appl. No. 29/679,665 (pp. 1-6).

Notice of Allowance dated Feb. 16, 2022 for U.S. Appl. No. 29/679,665 (pp. 1-7).

\* cited by examiner



**FIG. 1**



*FIG. 2*

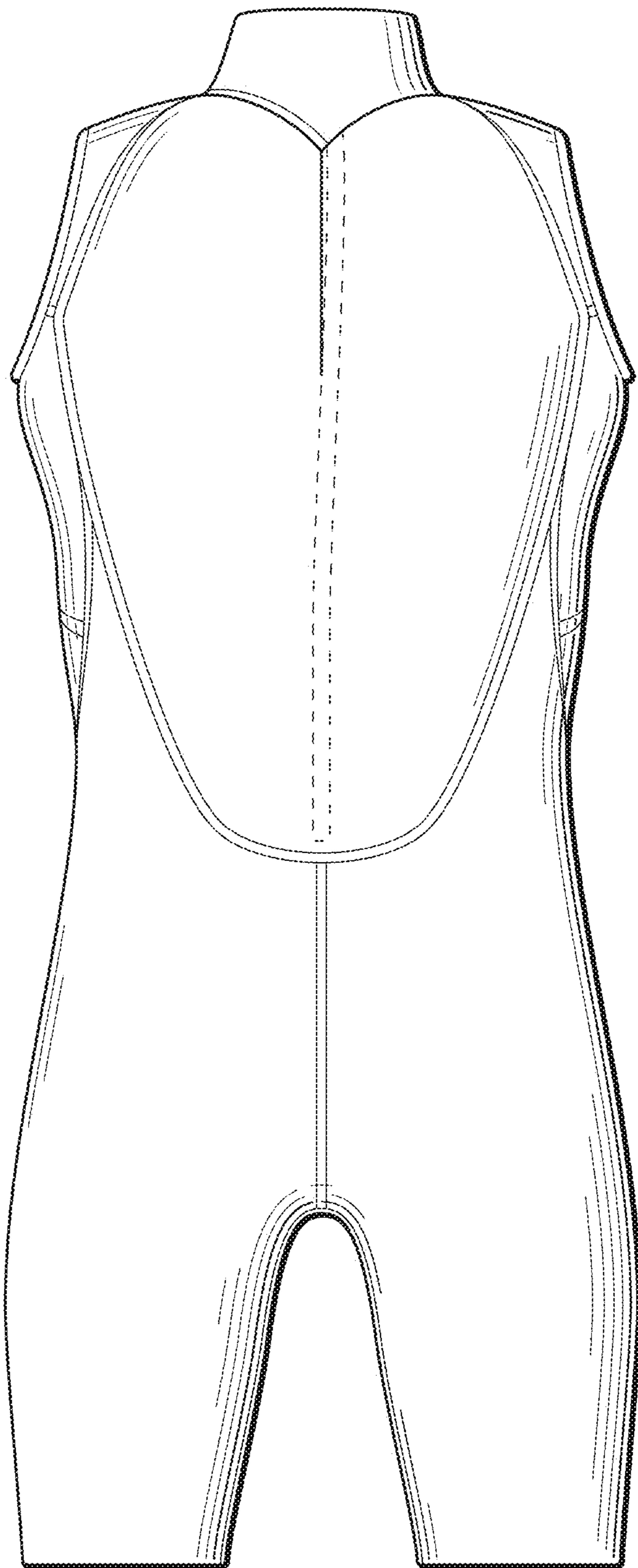


FIG. 3

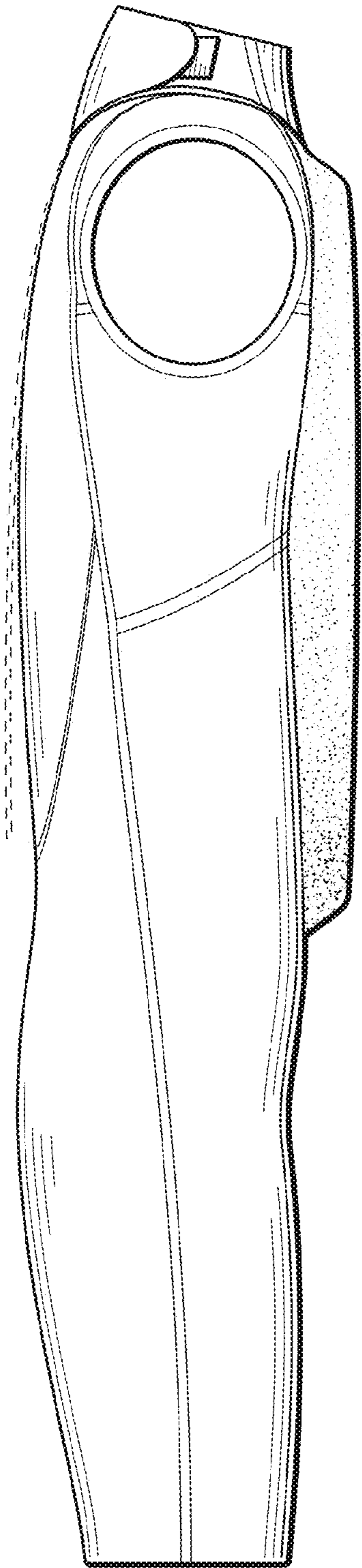


FIG. 4

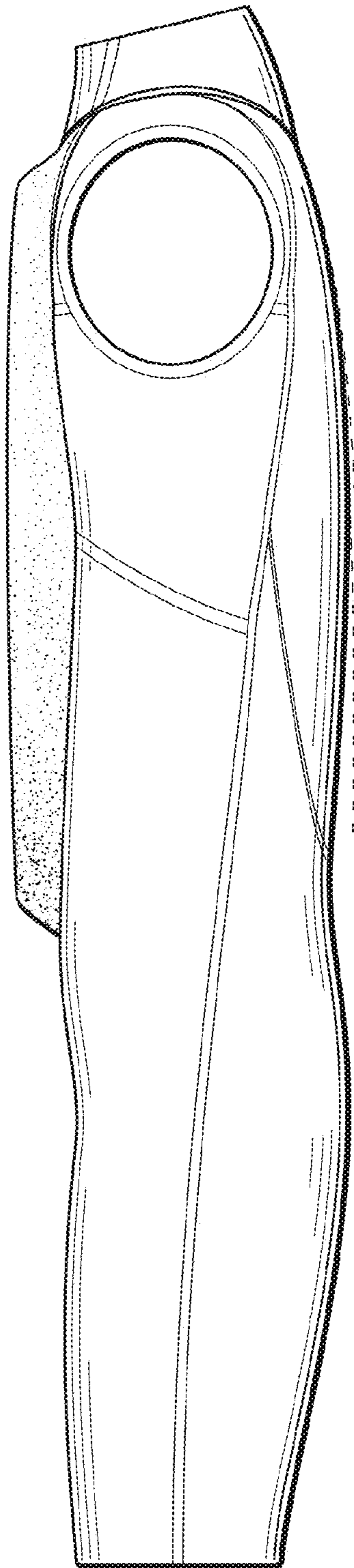
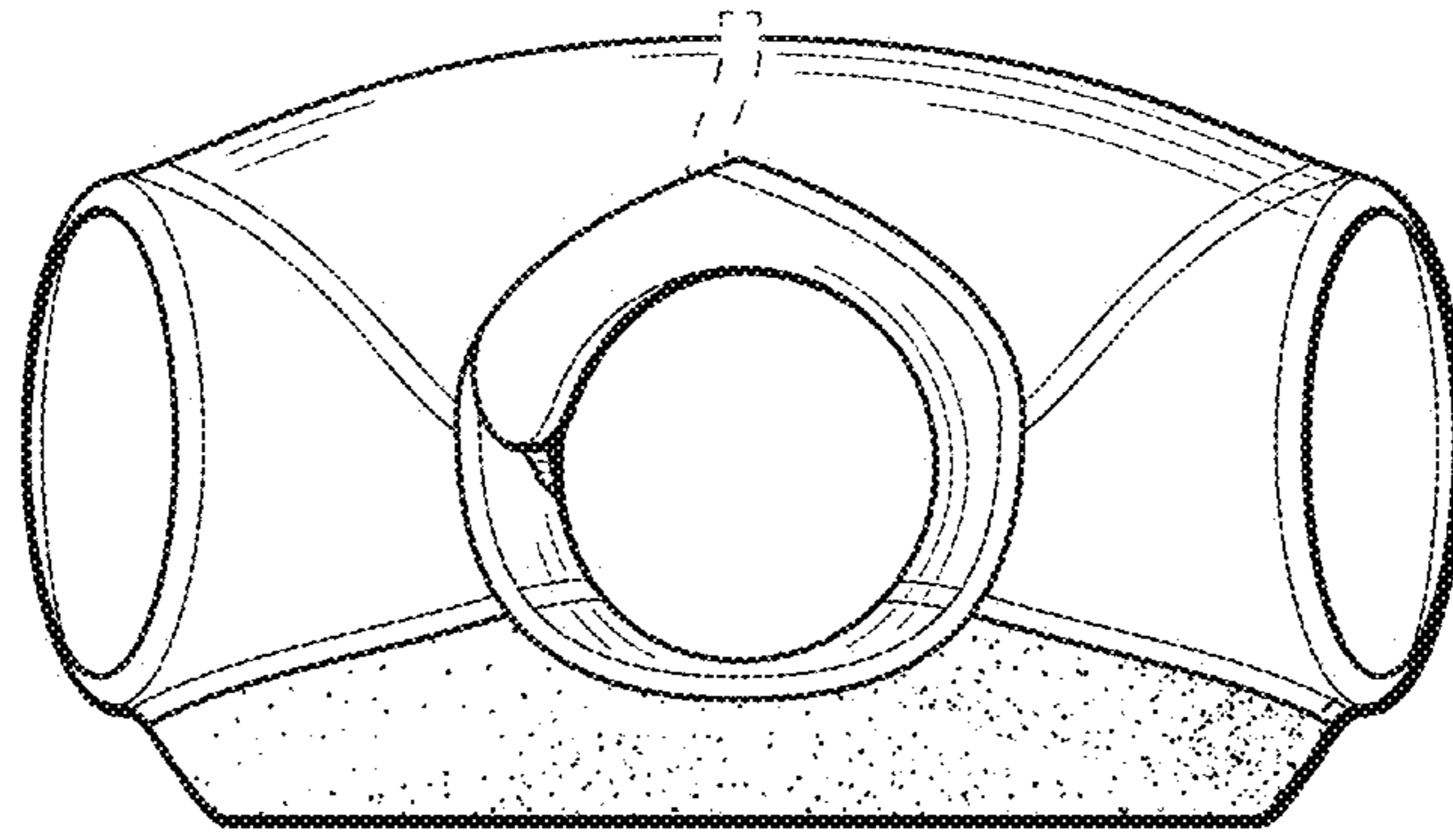
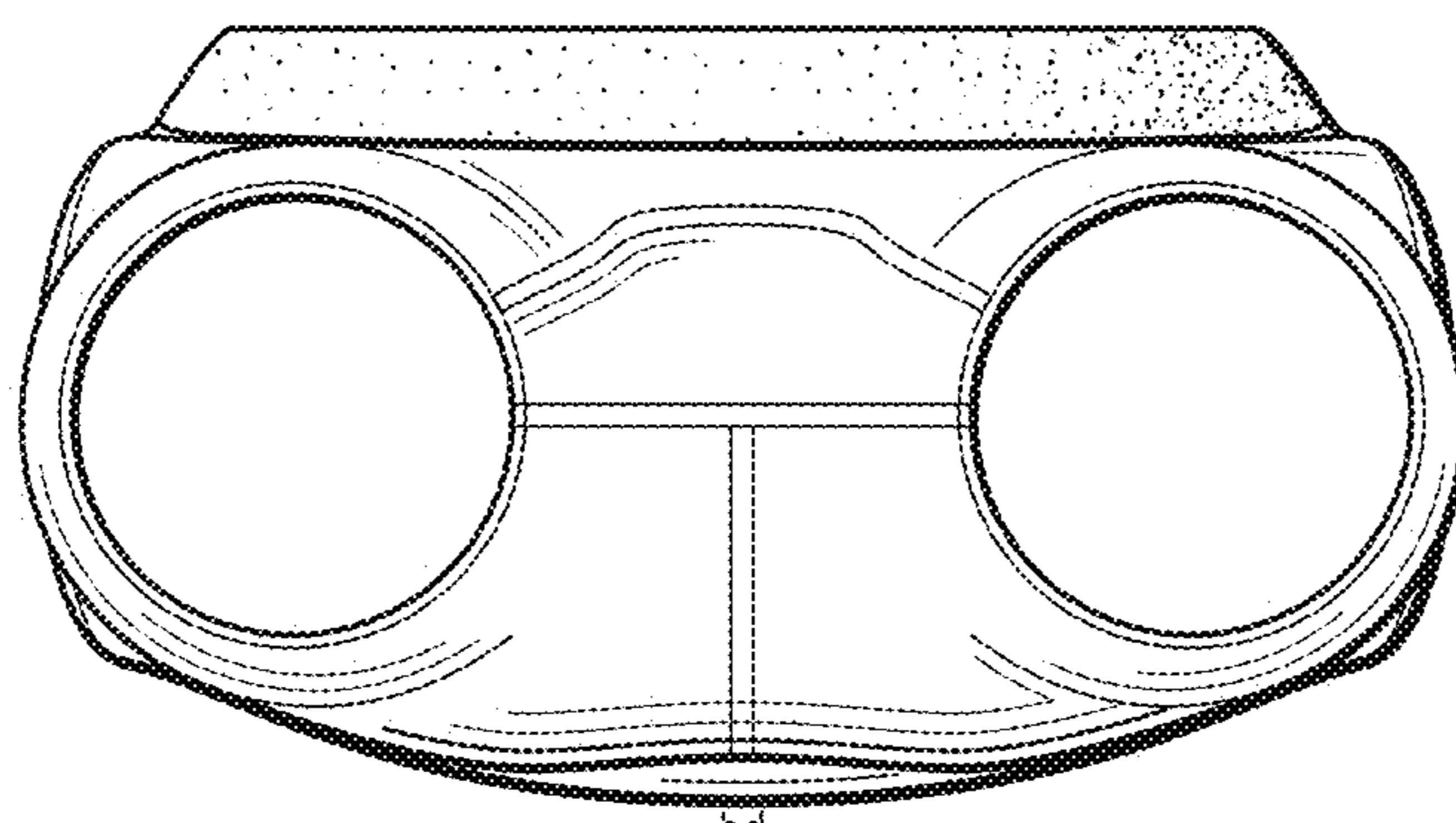


FIG. 5



*FIG. 6*



*FIG. 7*

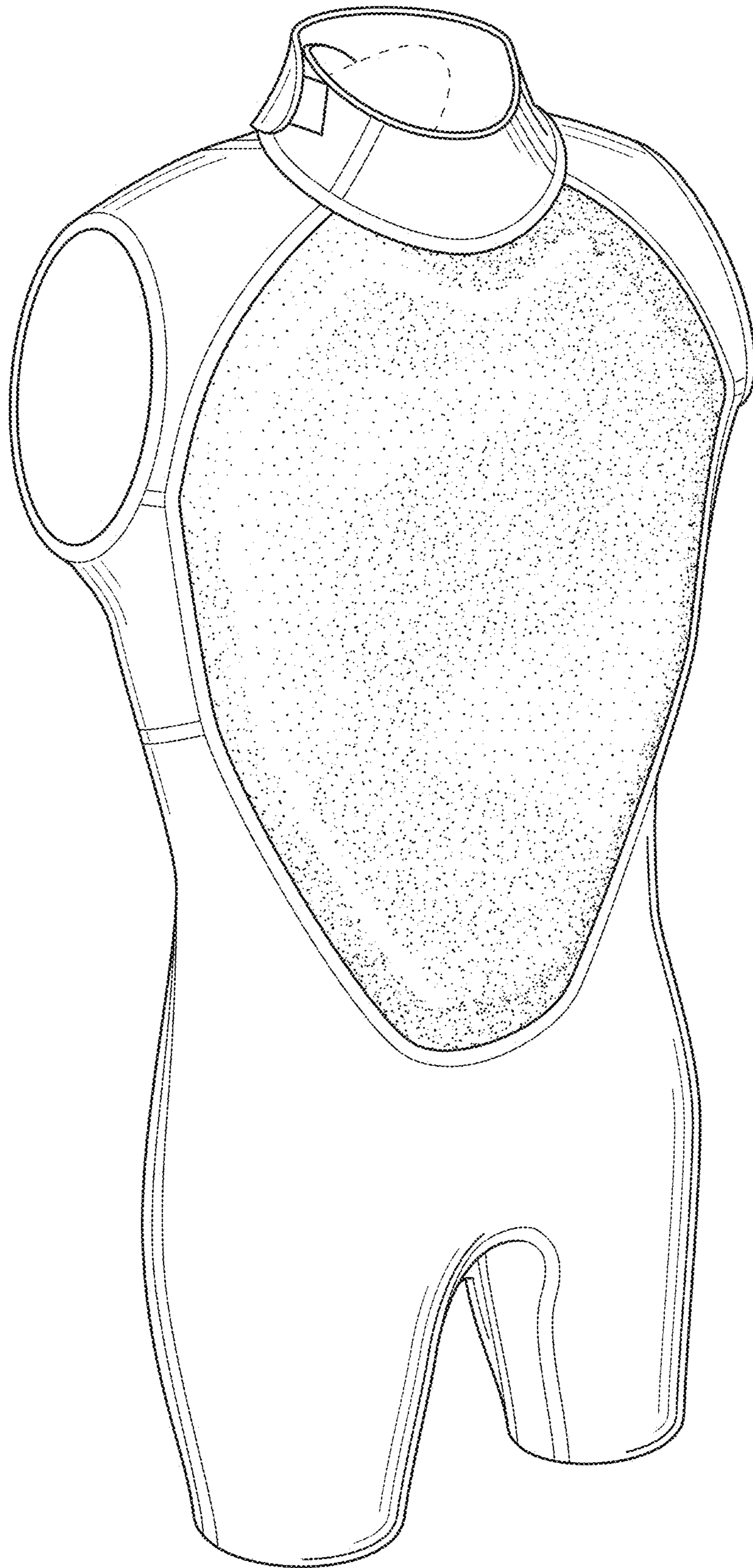
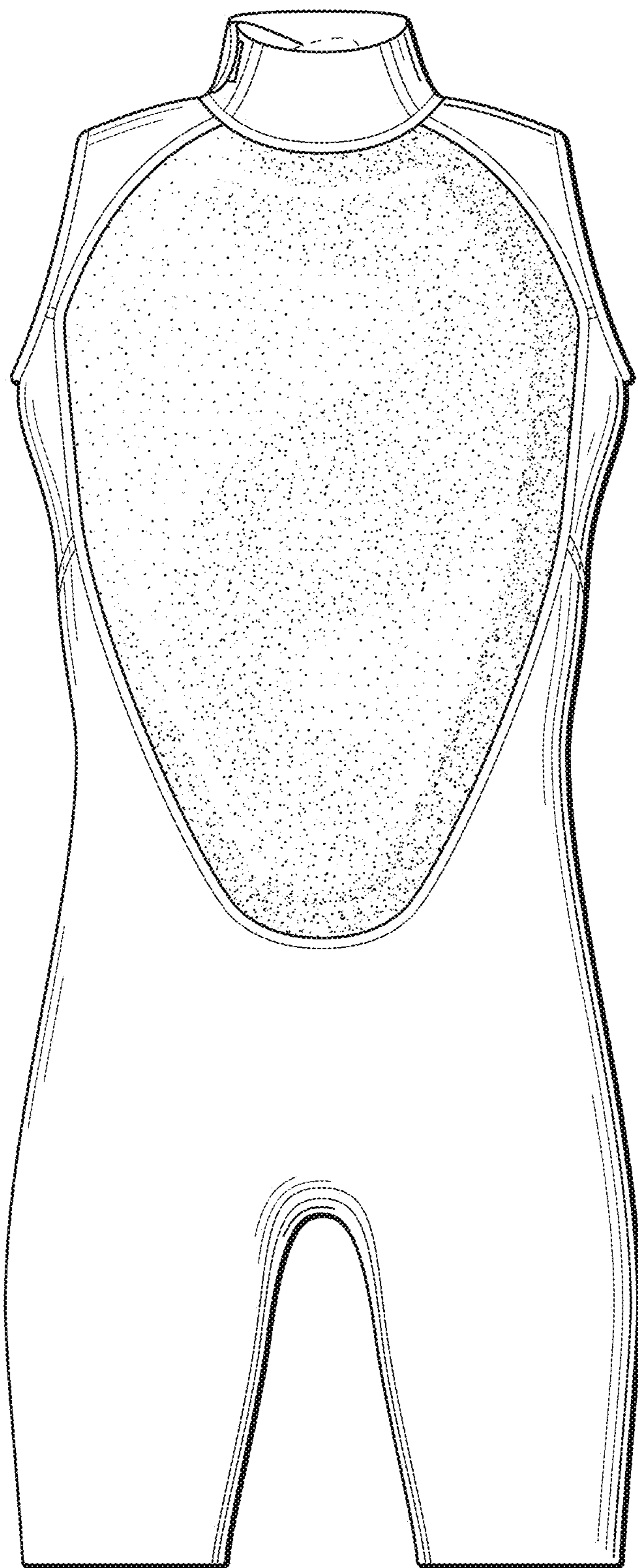
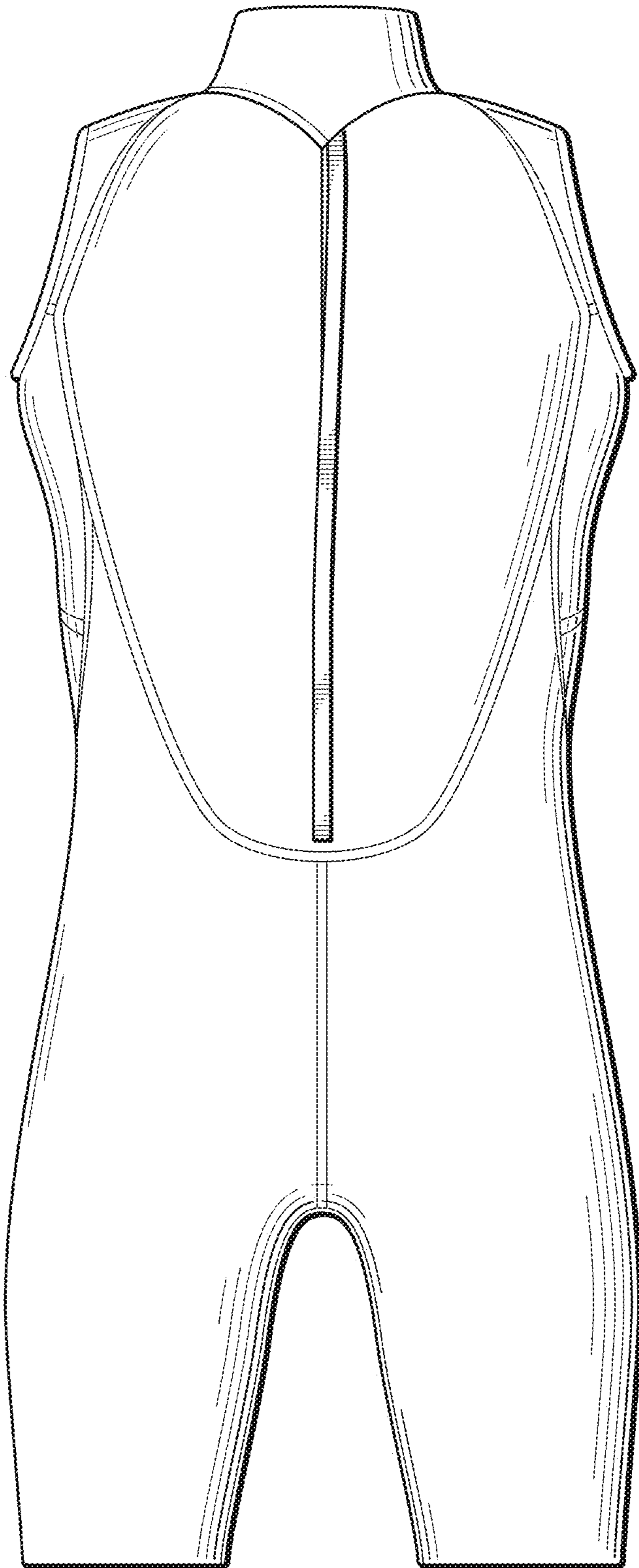


FIG. 8

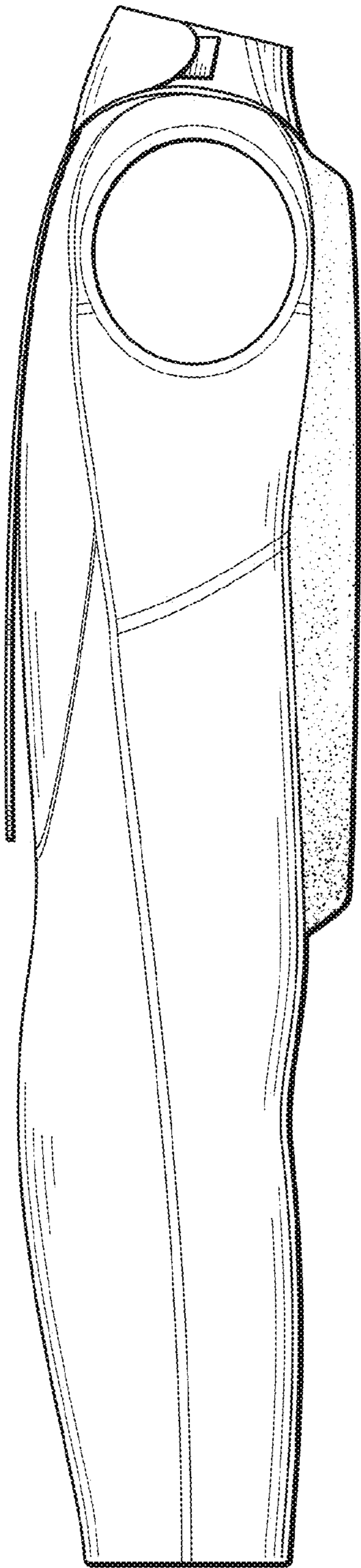




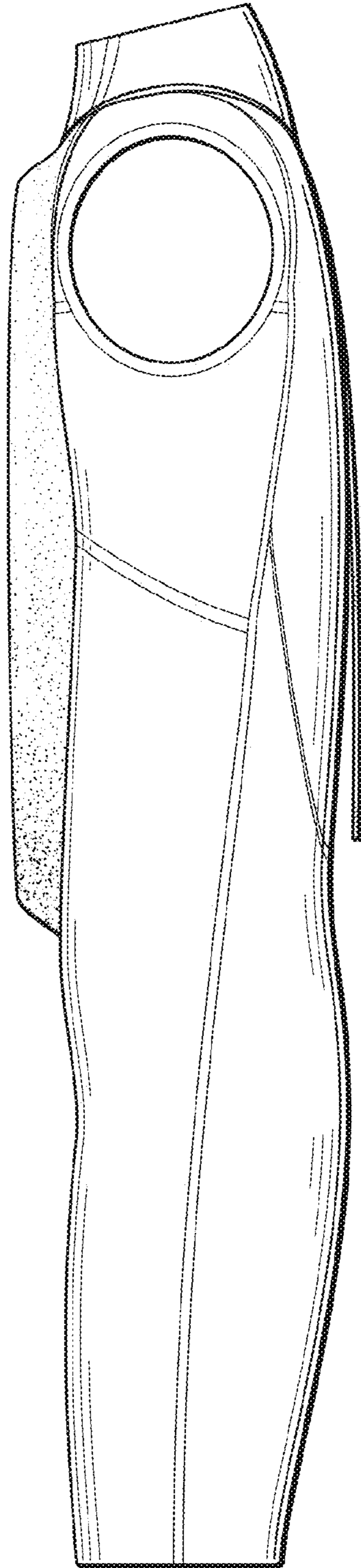
*FIG. 9*



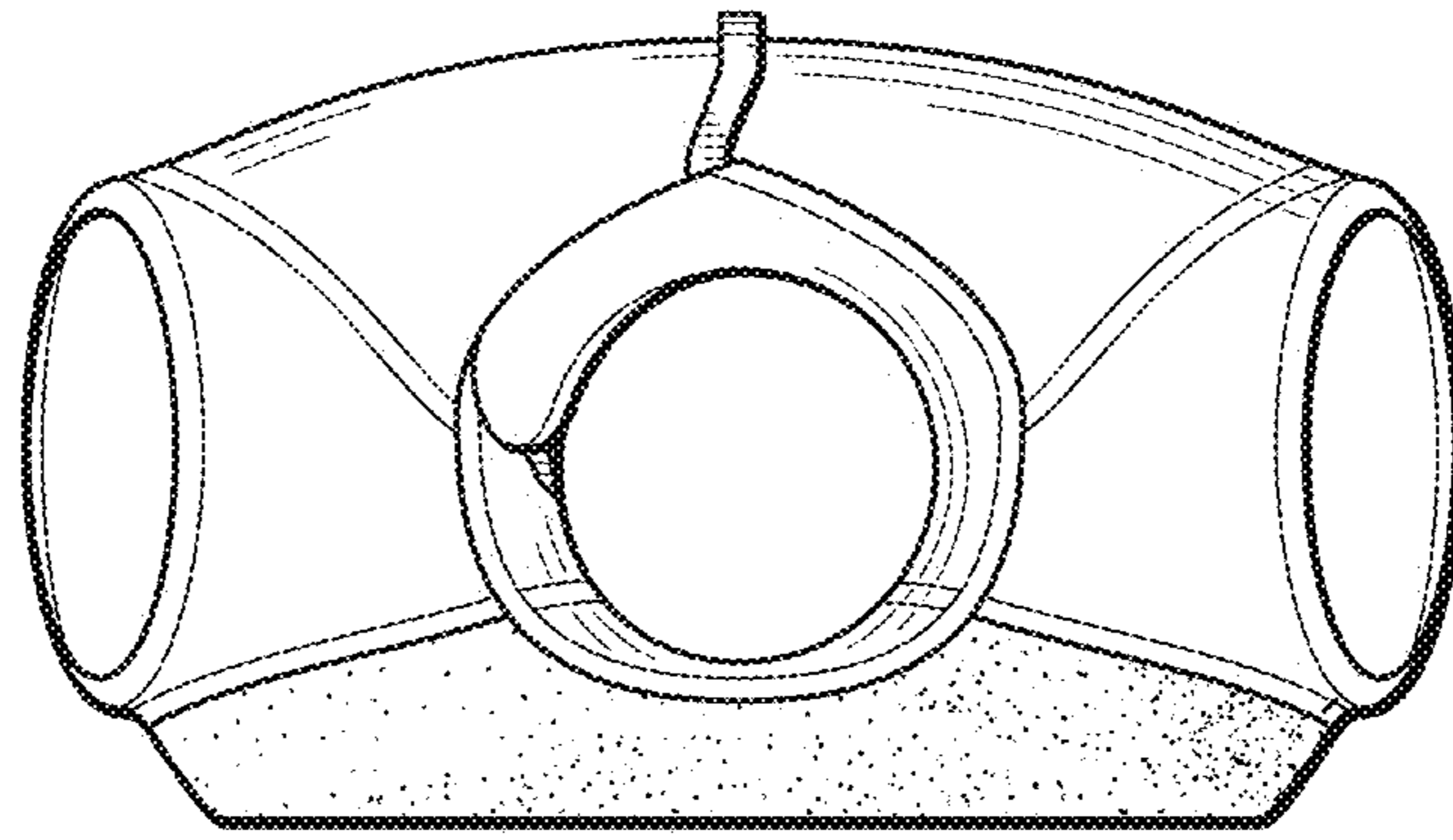
*FIG. 10*



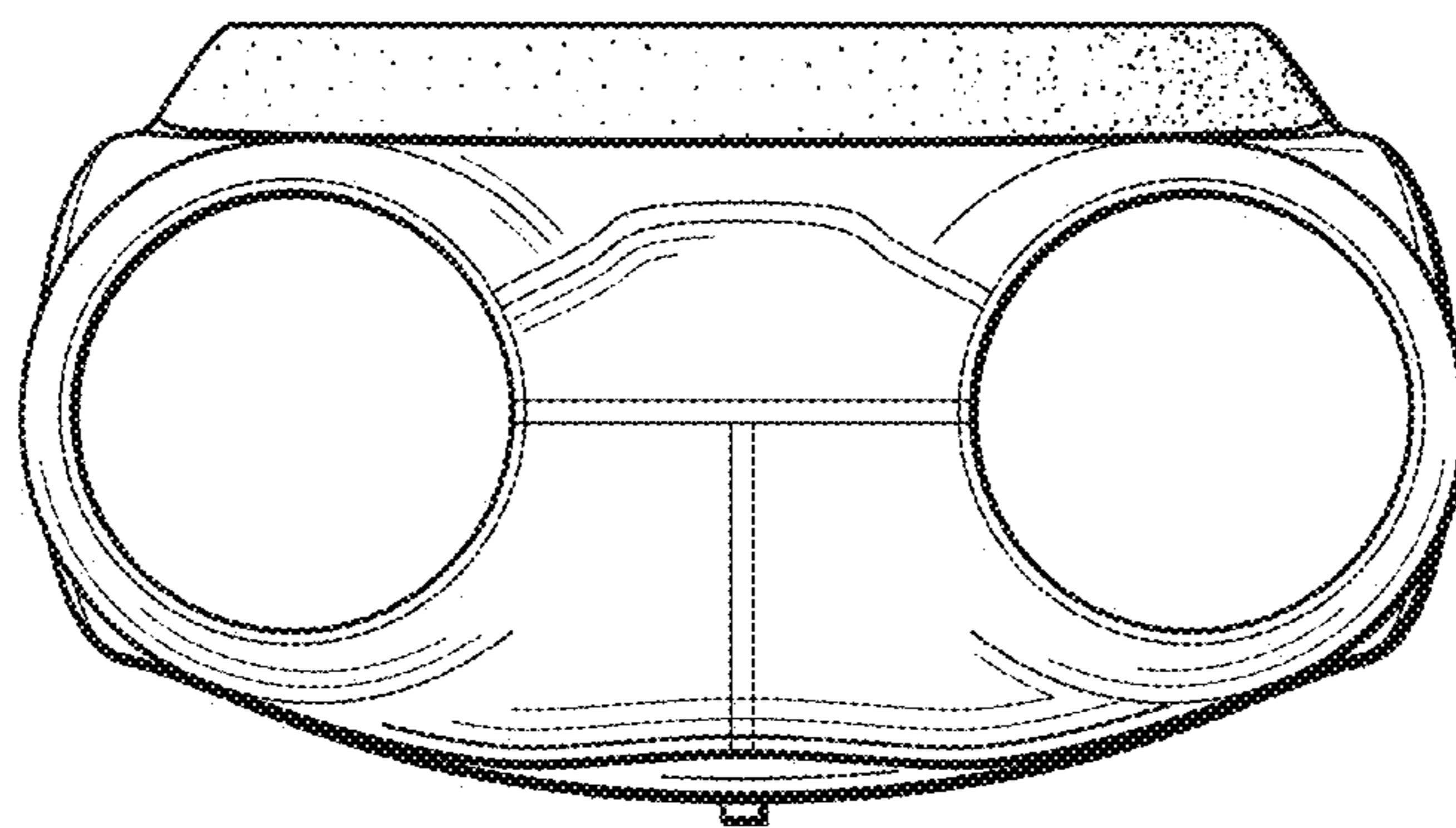
*FIG. 11*



*FIG. 12*



*FIG. 13*



*FIG. 14*