



US00D970847S

(12) **United States Design Patent** (10) **Patent No.:** **US D970,847 S**  
**Chen** (45) **Date of Patent:** **\*\* Nov. 22, 2022**

(54) **LOCK BOX**

(71) Applicant: **Sheng Chen**, Ningbo (CN)

(72) Inventor: **Sheng Chen**, Ningbo (CN)

(\*\*) Term: **15 Years**

(21) Appl. No.: **29/837,900**

(22) Filed: **May 10, 2022**

(51) **LOC (13) Cl.** ..... **99-00**

(52) **U.S. Cl.**  
USPC ..... **D99/28**; D3/294

(58) **Field of Classification Search**  
USPC .... D99/28, 34, 35, 36, 43, 99; D3/900, 901,  
D3/902, 903, 905, 273, 274, 294;  
D18/3.1, 3.3, 12.1; D19/106  
CPC ..... A45C 1/12; A45C 2001/125; A45C  
2001/102; A45C 2001/104; A45C  
2001/006; A45C 2001/003; A45C  
2001/105; A45C 2001/107; E05G 1/00;  
E05G 1/005; E05G 1/024; E05G 1/026;  
E05G 5/00; E05G 7/00; E05G 7/001;  
E05G 2700/00; E05G 2700/02; B63C  
7/30; G07D 9/00; G07D 9/002; G07D  
9/004; G07D 9/006; G07D 9/008; G07D  
9/02; G07D 9/04; G07D 9/06; G07D  
9/065; G07D 11/00; G07D 11/0021;  
G07D 13/00; G07D 2201/00; G07D  
2211/00; G07F 9/06; G07F 9/08  
See application file for complete search history.

(56) **References Cited**

**U.S. PATENT DOCUMENTS**

D257,584 S *	12/1980	Finkel .....	D9/423
D340,541 S *	10/1993	Chen .....	D28/83
D411,353 S *	6/1999	Dickinson .....	D3/323
D429,070 S *	8/2000	Marshall .....	D28/83
D433,940 S *	11/2000	Lindsay .....	D9/424
D477,714 S *	7/2003	Cunningham .....	D3/273
D477,913 S *	8/2003	Fang .....	D3/905

D529,289 S *	10/2006	Roesler .....	D3/905
D588,799 S *	3/2009	Garland .....	D3/205
D635,324 S *	3/2011	Plato .....	D99/28
D639,058 S *	6/2011	Chiu .....	D3/905
D736,516 S *	8/2015	Pennington .....	D3/201
D795,874 S *	8/2017	Szeremeta .....	D3/273

(Continued)

**OTHER PUBLICATIONS**

The Best Handgun Safes Provide Fast Access to Your Gun When You Need It and Security When You Don't By Jonathan Knoder, Taylor Galla and Mike Fazioli, Aug. 3, 2022, <https://spy.com/articles/gadgets/electronics/best-biometric-handgun-safes-279257/> (Year: 2022).\*

(Continued)

*Primary Examiner* — Elizabeth J Oswecki

(57) **CLAIM**

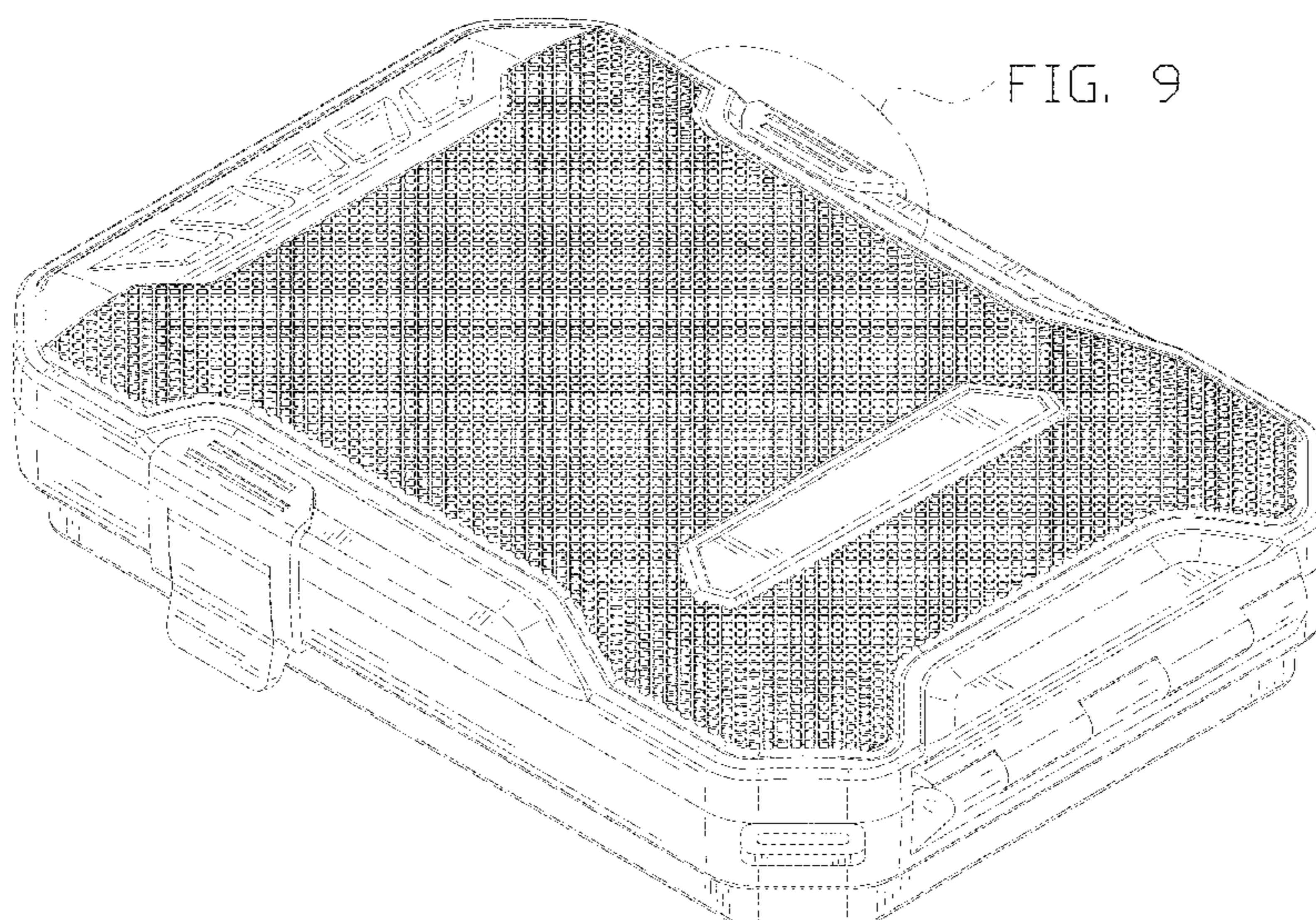
The ornamental design for a lock box, as shown and described.

**DESCRIPTION**

FIG. 1 is a perspective view of a lock box showing my new design;  
FIG. 2 is another perspective view thereof;  
FIG. 3 is a front elevational view thereof;  
FIG. 4 is a rear elevational view thereof;  
FIG. 5 is a left side elevational view thereof;  
FIG. 6 is a right side elevational view thereof;  
FIG. 7 is a top plan view thereof;  
FIG. 8 is a bottom plan view thereof; and,  
FIG. 9 is an enlarged portion view labeled, "FIG. 9," in FIG. 1.

The dash-dash broken lines in the drawings depict portions of the lock box that form no part of the claimed design. The dot-dash broken lines represent the boundary of the enlarged portion view of FIG. 9 shown in FIGS. 1 and 9 and form no part of the claimed design.

**1 Claim, 9 Drawing Sheets**



(56)

**References Cited**

U.S. PATENT DOCUMENTS

D817,589 S \* 5/2018 Culbreth ..... D99/28  
 D839,583 S \* 2/2019 Cao ..... D3/201  
 10,253,529 B1 \* 4/2019 McGinn ..... E05B 35/00  
 D854,777 S 7/2019 Yardley et al.  
 D858,989 S \* 9/2019 Kim ..... D3/294  
 D866,913 S \* 11/2019 Xu ..... D99/28  
 D873,017 S \* 1/2020 Seibert ..... D3/289  
 D904,724 S \* 12/2020 Zhang ..... D99/28  
 D912,365 S \* 3/2021 Shen ..... D99/28  
 D924,535 S 7/2021 Culbreth  
 D939,805 S \* 12/2021 Qian ..... D99/28  
 D952,985 S \* 5/2022 Zhu ..... D99/28  
 D954,384 S \* 6/2022 Zhu ..... D99/28  
 D954,385 S \* 6/2022 Zhu ..... D99/28  
 D957,085 S \* 7/2022 Lu ..... D99/28  
 D959,785 S \* 8/2022 Culbreth ..... D99/28  
 2006/0201833 A1 \* 9/2006 Chen ..... A45C 13/08  
 206/349

2008/0062636 A1 \* 3/2008 Liu ..... G06F 1/187  
 2011/0036735 A1 \* 2/2011 Cho ..... A45C 13/36  
 206/349  
 2018/0274281 A1 \* 9/2018 Bernkrant ..... F41C 33/029

OTHER PUBLICATIONS

Wincent Portable Gun Safe Lock Box, <https://www.wincentpro.com/products/wincent-portable-gun-safe-lock-box>, Dec. 25, 2021. (Year: 2021).  
 Vaultek Lifepod 2.0 Biometric Weather Resistant Lockable Storage Case—Black, [https://www.gunsafesnow.com/vaultek-lifepod-2-0-biometric-weather-resistant-lockable-storage-case-black/?sku=BLP20-BK&gclid=EAlalQobChMI2ay1yLyk-glVdSs4Chlw1gA6EAQYAyABEgJZQvD\\_BwE](https://www.gunsafesnow.com/vaultek-lifepod-2-0-biometric-weather-resistant-lockable-storage-case-black/?sku=BLP20-BK&gclid=EAlalQobChMI2ay1yLyk-glVdSs4Chlw1gA6EAQYAyABEgJZQvD_BwE), 2022. (Year: 2022).  
 Barikade Series 1 Sub Compact Digital Keypad Pistol Safe (Black), [https://www.garage-organization.com/Product/Vaultek-BKD1D-SB.aspx?f=gb&gclid=EAlalQobChMI7liU8byk-glV5m5vBB2BXAjhEAQYBCABEgLX3vD\\_BwE](https://www.garage-organization.com/Product/Vaultek-BKD1D-SB.aspx?f=gb&gclid=EAlalQobChMI7liU8byk-glV5m5vBB2BXAjhEAQYBCABEgLX3vD_BwE), 2022. (Year: 2022).\*

\* cited by examiner

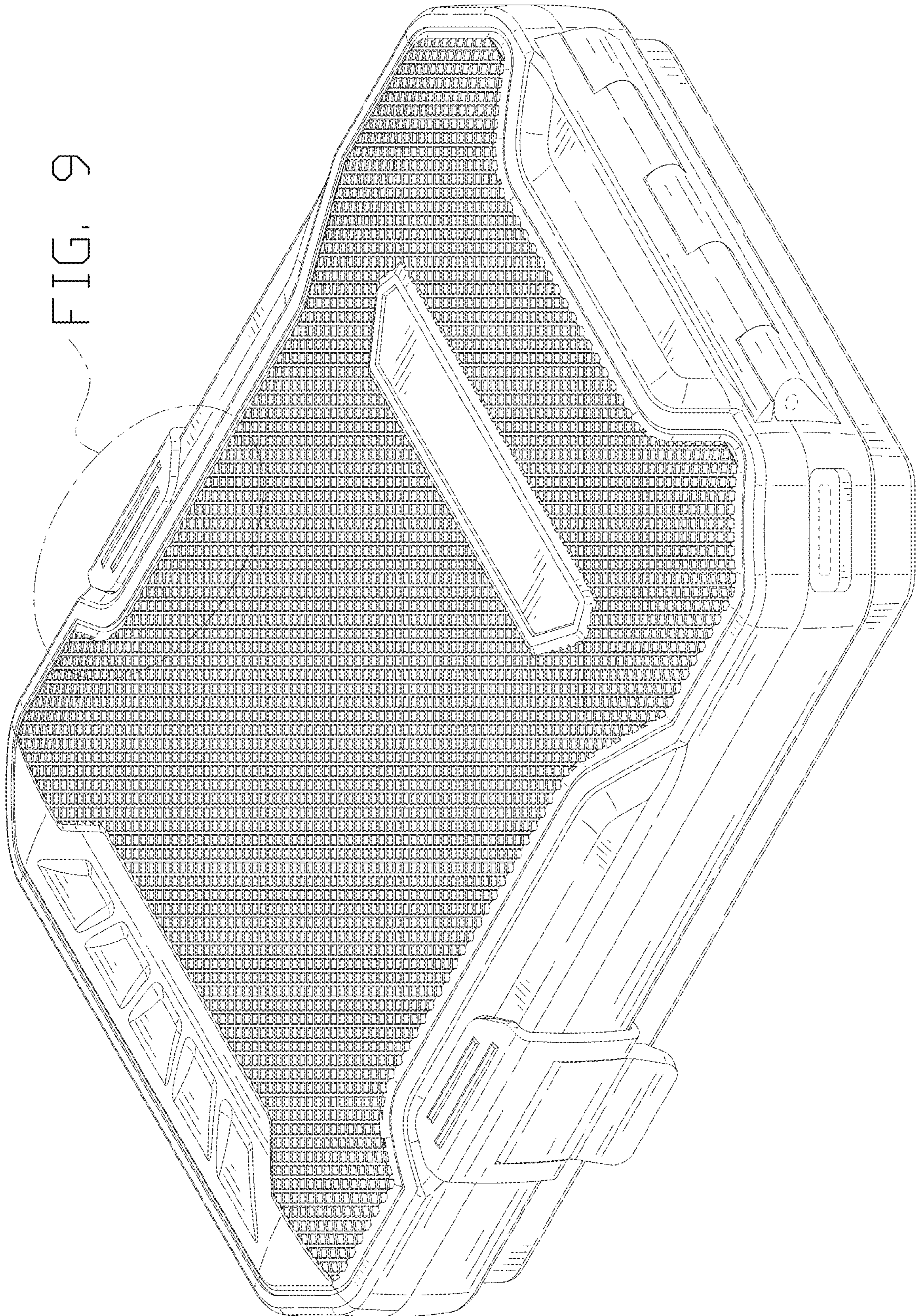


FIG. 9

FIG. 1

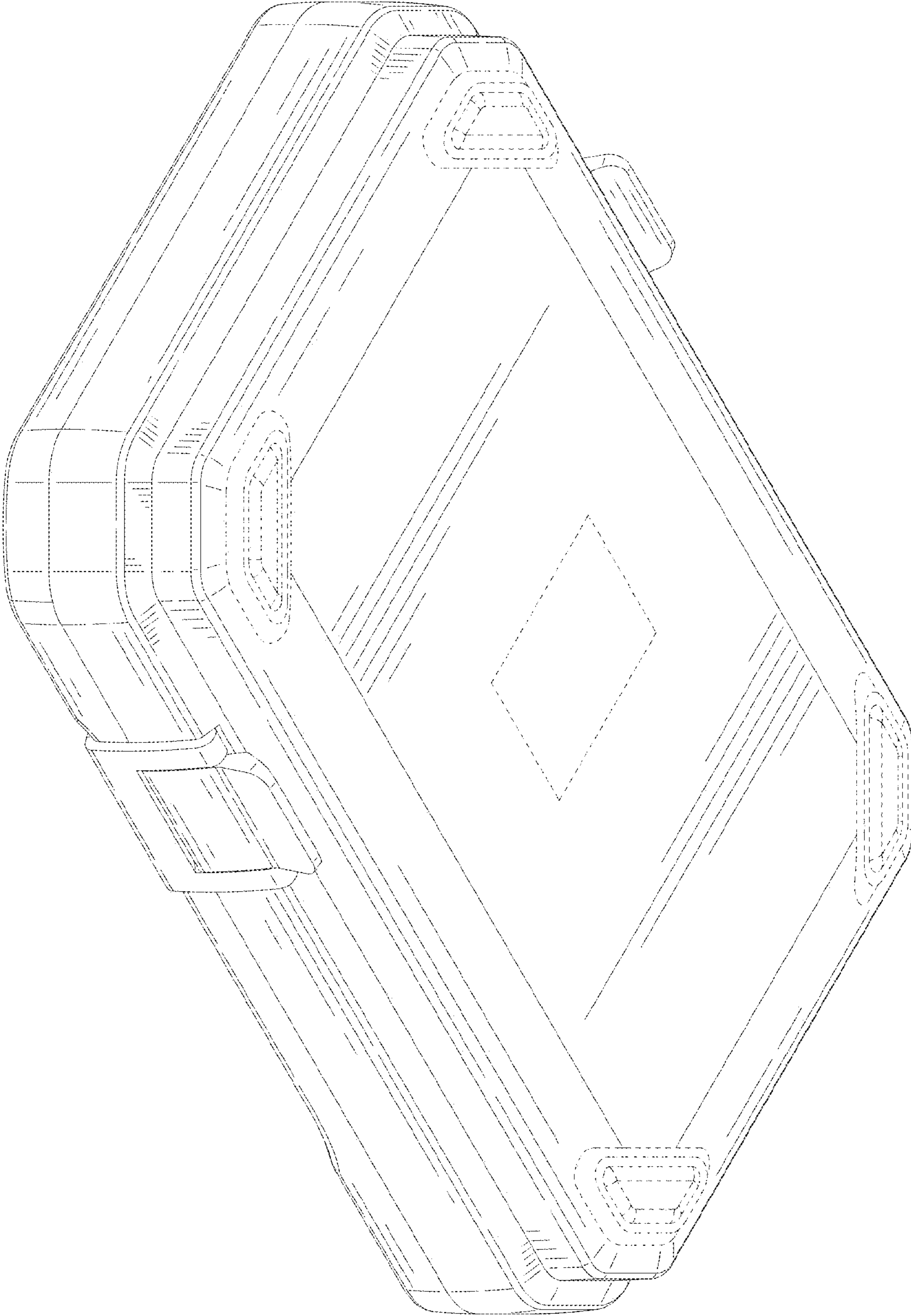


FIG. 2

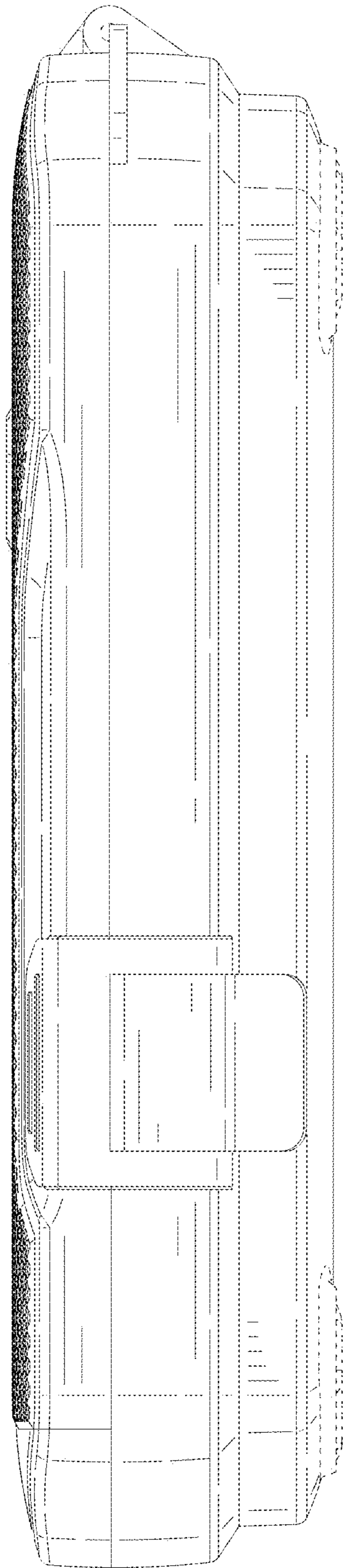


FIG. 3

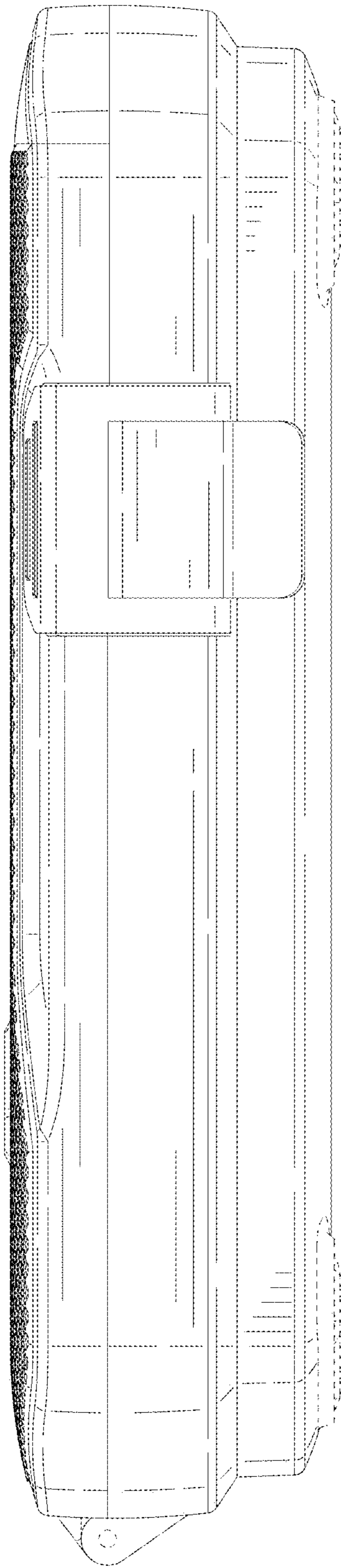


FIG. 4

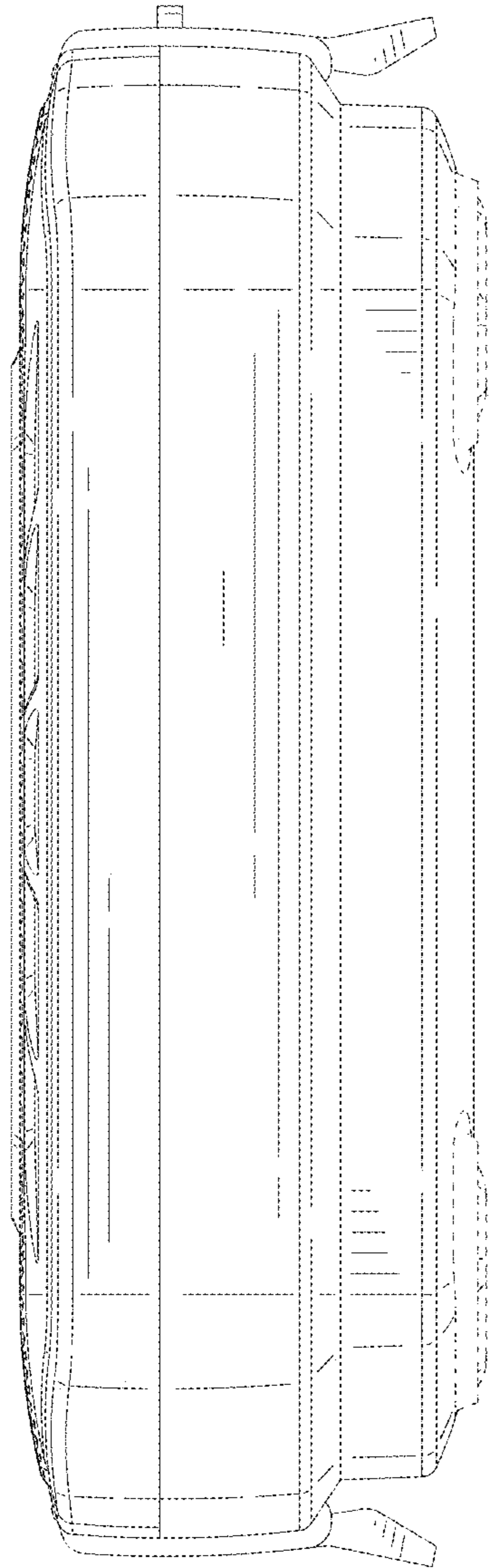


FIG. 5

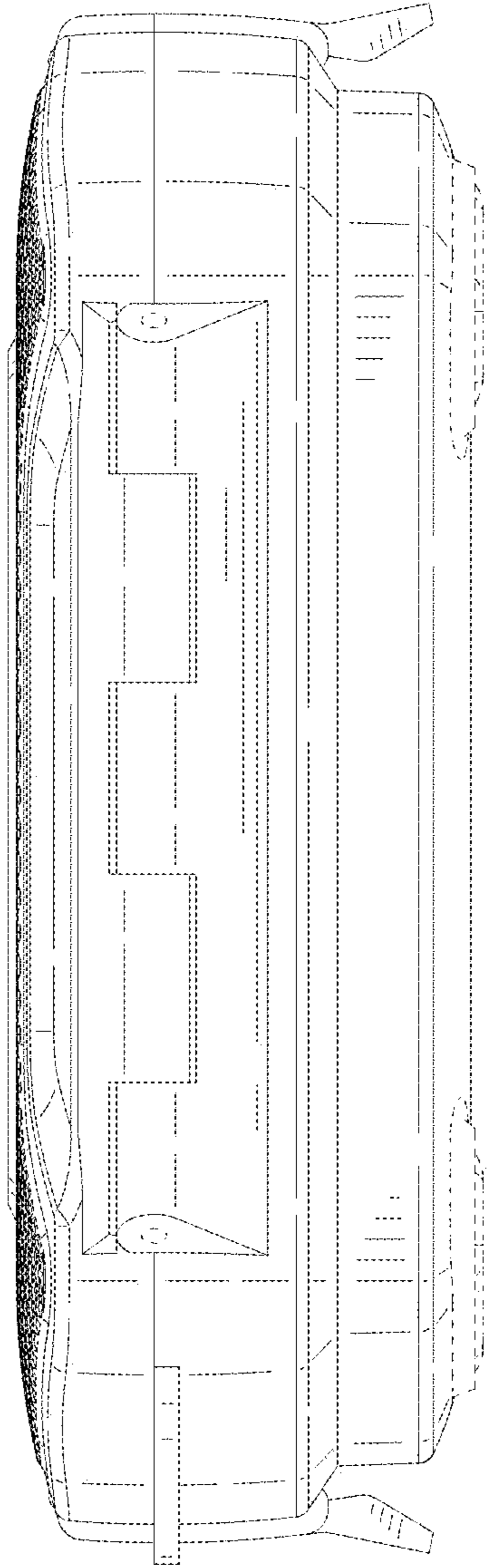


FIG. 6



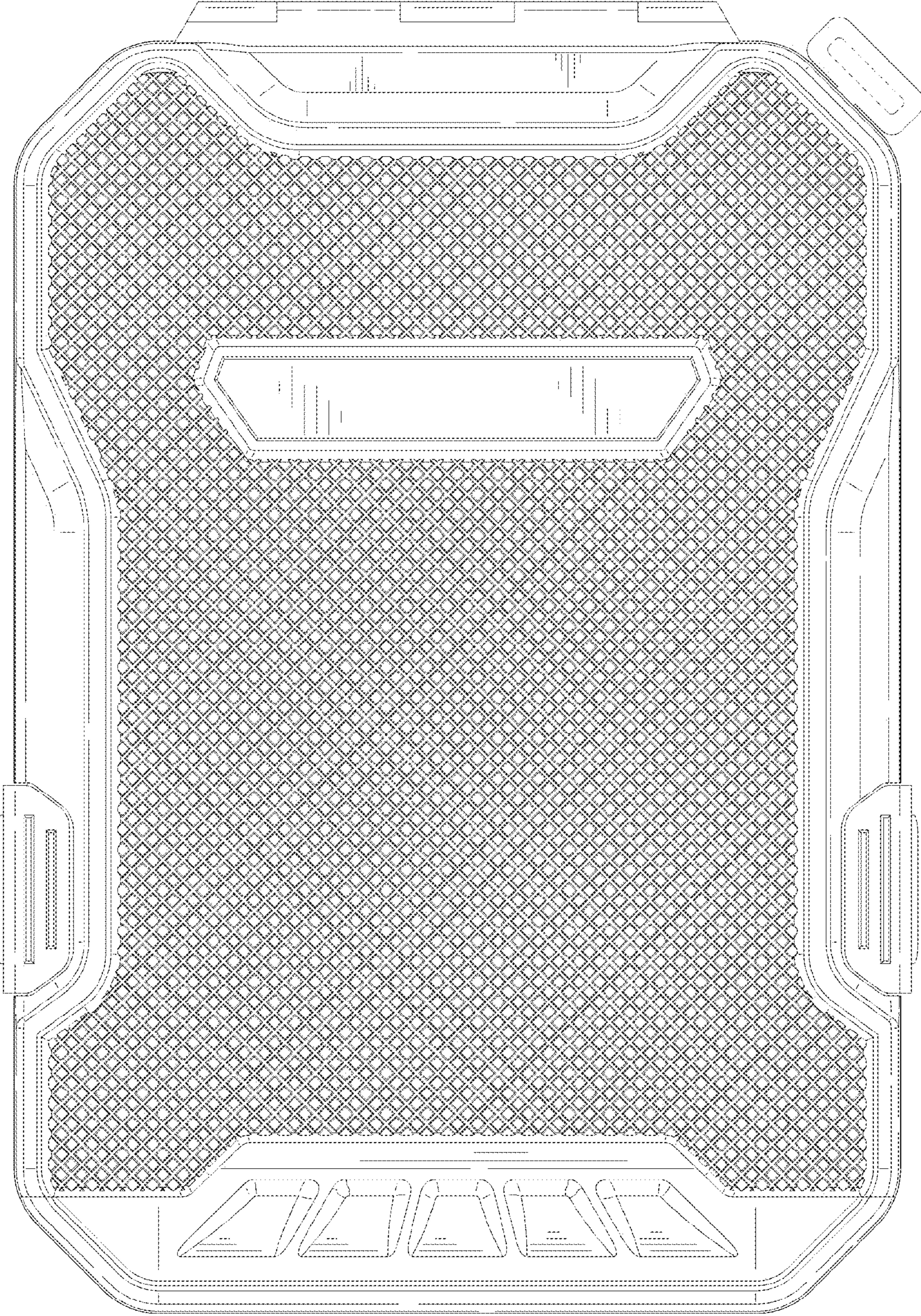


FIG. 7

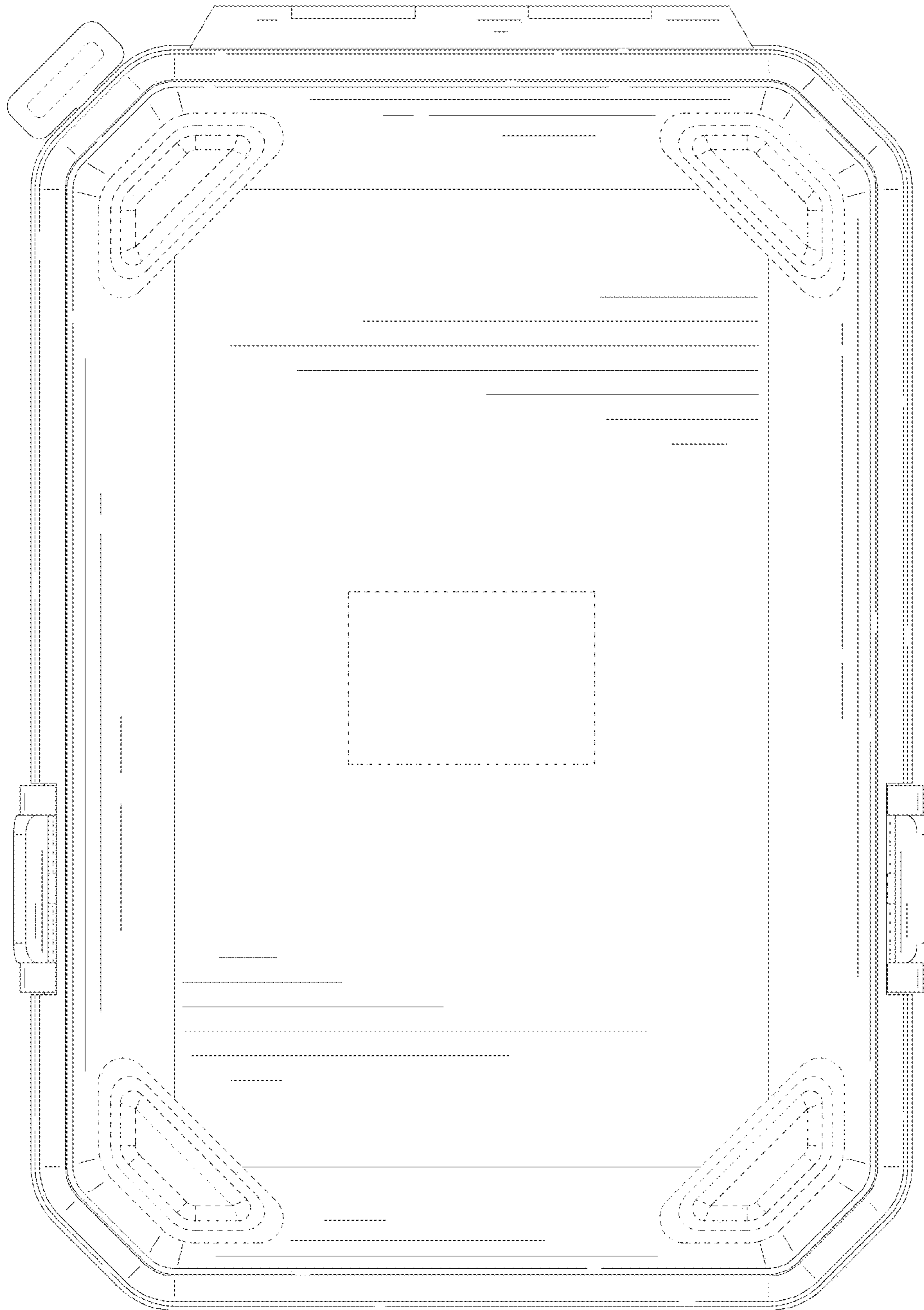


FIG. 8

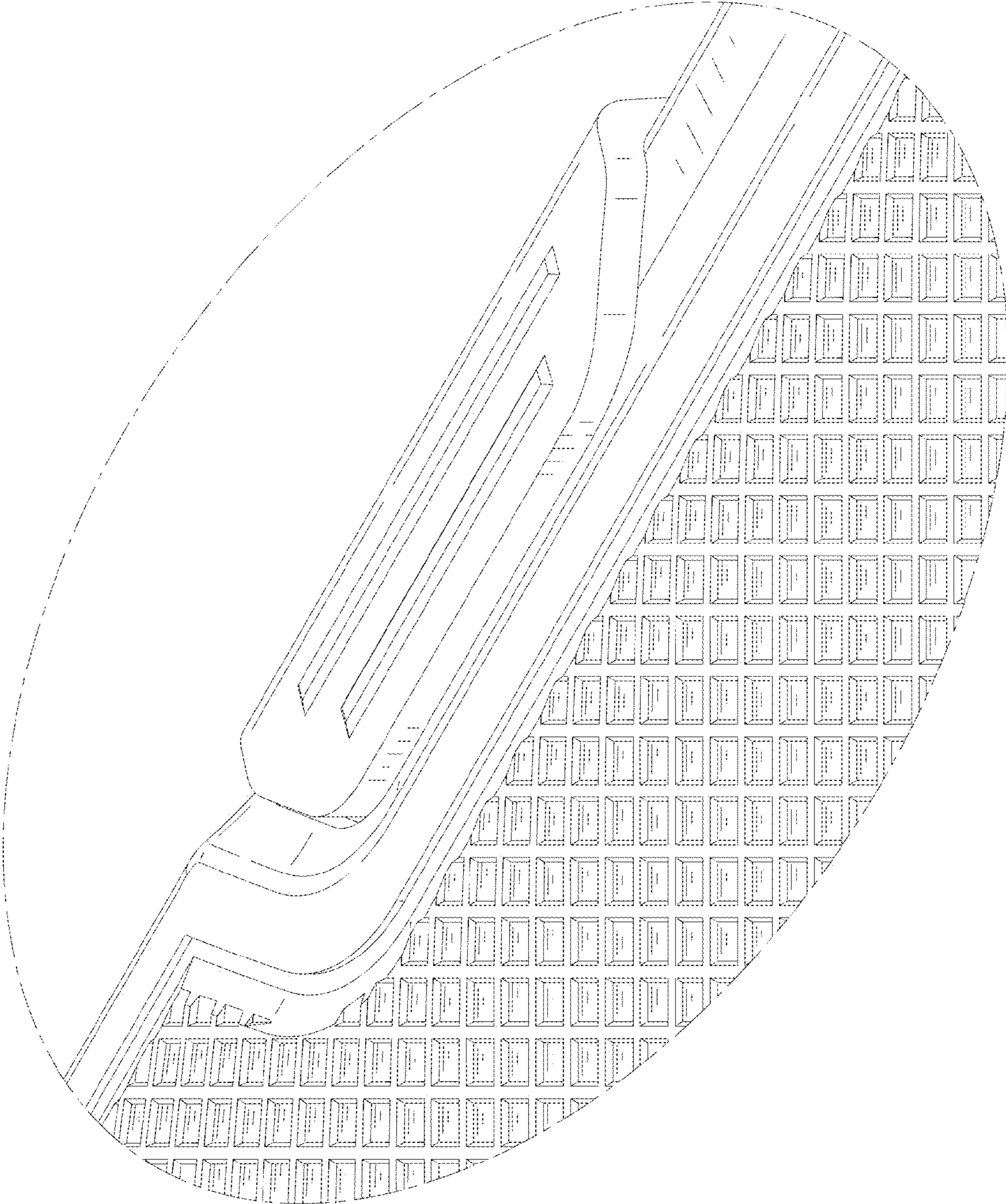


FIG. 9