



US00D970846S

(12) **United States Design Patent**
Chen

(10) **Patent No.:** **US D970,846 S**

(45) **Date of Patent:** **** Nov. 22, 2022**

(54) **SAFE BOX**

(71) Applicant: **Sheng Chen**, Ningbo (CN)

(72) Inventor: **Sheng Chen**, Ningbo (CN)

(**) Term: **15 Years**

(21) Appl. No.: **29/836,778**

(22) Filed: **Apr. 28, 2022**

(51) **LOC (13) Cl.** **99-00**

(52) **U.S. Cl.**
USPC **D99/28**

(58) **Field of Classification Search**
USPC D99/28, 34, 35, 36, 43, 99; D3/900, 901,
D3/902, 903, 905; D18/3.1, 3.3, 12.1
CPC A45C 1/12; A45C 2001/125; A45C
2001/102; A45C 2001/104; A45C
2001/006; A45C 2001/003; A45C
2001/105; A45C 2001/107; E05G 1/00;
E05G 1/005; E05G 1/024; E05G 1/026;
E05G 5/00; E05G 7/00; E05G 7/001;
E05G 2700/00; E05G 2700/02; B63C
7/30; G07D 9/00; G07D 9/002; G07D
9/004; G07D 9/006; G07D 9/008; G07D
9/02; G07D 9/04; G07D 9/06; G07D
9/065; G07D 11/00; G07D 11/0021;
G07D 13/00; G07D 2201/00; G07D
2211/00; G07F 9/06; G07F 9/08
See application file for complete search history.

(56) **References Cited**

U.S. PATENT DOCUMENTS

4,573,332 A * 3/1986 Ma E05B 67/003
70/160
5,769,006 A * 6/1998 Allaer E05G 1/00
109/51
6,845,640 B2 * 1/2005 Loeff F41A 17/54
42/70.11
D624,275 S * 9/2010 Min D99/28

D635,324 S * 3/2011 Plato D99/28
D799,148 S 10/2017 Crosby
D803,508 S * 11/2017 Horn D99/28
D817,589 S * 5/2018 Culbreth D99/28
10,253,529 B1 * 4/2019 McGinn E05B 35/00
D866,913 S * 11/2019 Xu D99/28
D893,123 S * 8/2020 Yu D99/28
D904,724 S * 12/2020 Zhang D99/28
D907,325 S 1/2021 Schneider
D912,365 S * 3/2021 Shen D99/28
D924,535 S * 7/2021 Culbreth D99/28
D935,729 S * 11/2021 Chen D99/28

(Continued)

OTHER PUBLICATIONS

The Best Handgun Safes Provide Fast Access to Your Gun When You Need It and Security When You Don't By Jonathan Knoder, Taylor Galla and Mike Fazioli, Aug. 3, 2022, <https://spy.com/articles/gadgets/electronics/best-biometric-handgun-safes-279257/> (Year: 2022).*

(Continued)

Primary Examiner — Elizabeth J Oswecki

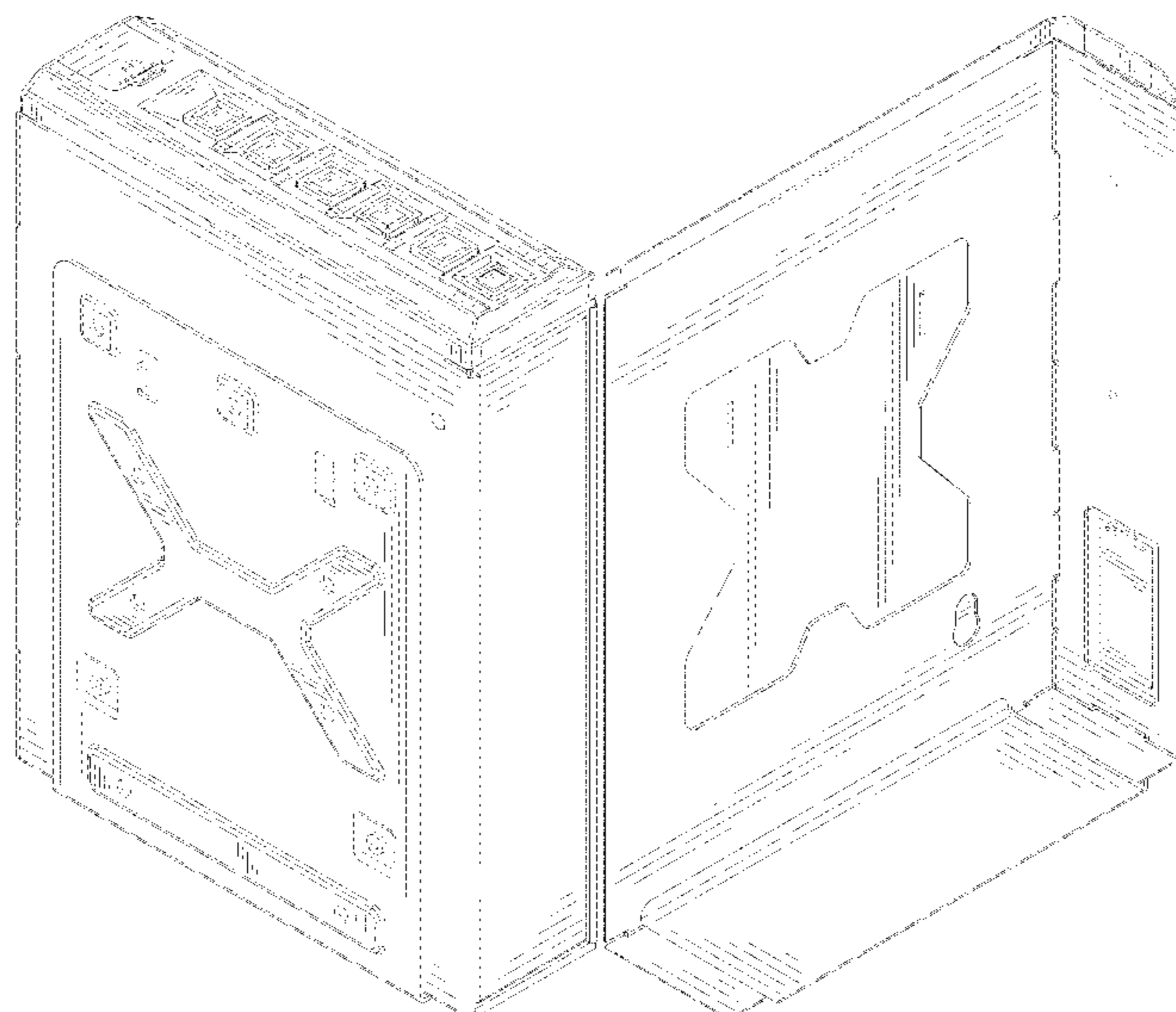
(57) **CLAIM**

The ornamental design for a safe box, as shown and described.

DESCRIPTION

FIG. 1 is a perspective view of a safe box showing my new design;
FIG. 2 is another perspective view thereof;
FIG. 3 is a front elevational view thereof;
FIG. 4 is a rear elevational view thereof;
FIG. 5 is a left side elevational view thereof;
FIG. 6 is a right side elevational view thereof;
FIG. 7 is a top plan view thereof; and,
FIG. 8 is a bottom plan view thereof.
The broken lines in the drawings depict portions of the safe box that form no part of the claimed design.

1 Claim, 8 Drawing Sheets



(56)

References Cited

U.S. PATENT DOCUMENTS

D935,730 S	*	11/2021	Shen	D99/28
D939,804 S	*	12/2021	Lu	D99/28
D939,805 S	*	12/2021	Qian	D99/28
D952,985 S	*	5/2022	Zhu	D99/28
D954,384 S	*	6/2022	Zhu	D99/28
D954,385 S	*	6/2022	Zhu	D99/28
D957,085 S	*	7/2022	Lu	D99/28
2012/0042703 A1	*	2/2012	Chang	E05B 47/0603 70/63

OTHER PUBLICATIONS

WINFAVO Biometric Gun Safes for Pistols, Quick Access Handgun Safe Firearm Safety Device with Fingerprint Lock, Key Pad and Keys, Gun Lock Box for 2 Pistols, <https://www.amazon.com/WINFAVO-Biometric-Pistols-Handgun-Fingerprint/dp/B096FKFVV4>, Jun. 2, 2021. (Year: 2021).*

Barikade Series 1 Sub Compact Digital Keypad Pistol Safe (Black), https://www.garage-organization.com/Product/Vaultek-BKD1D-SB.aspx?f=gb&gclid=EA1a1QobChMI7liU8byk-glV5m5vBB2BXAjhEAQYBCABEgLX3vD_BwE, 2022. (Year: 2022).*

* cited by examiner

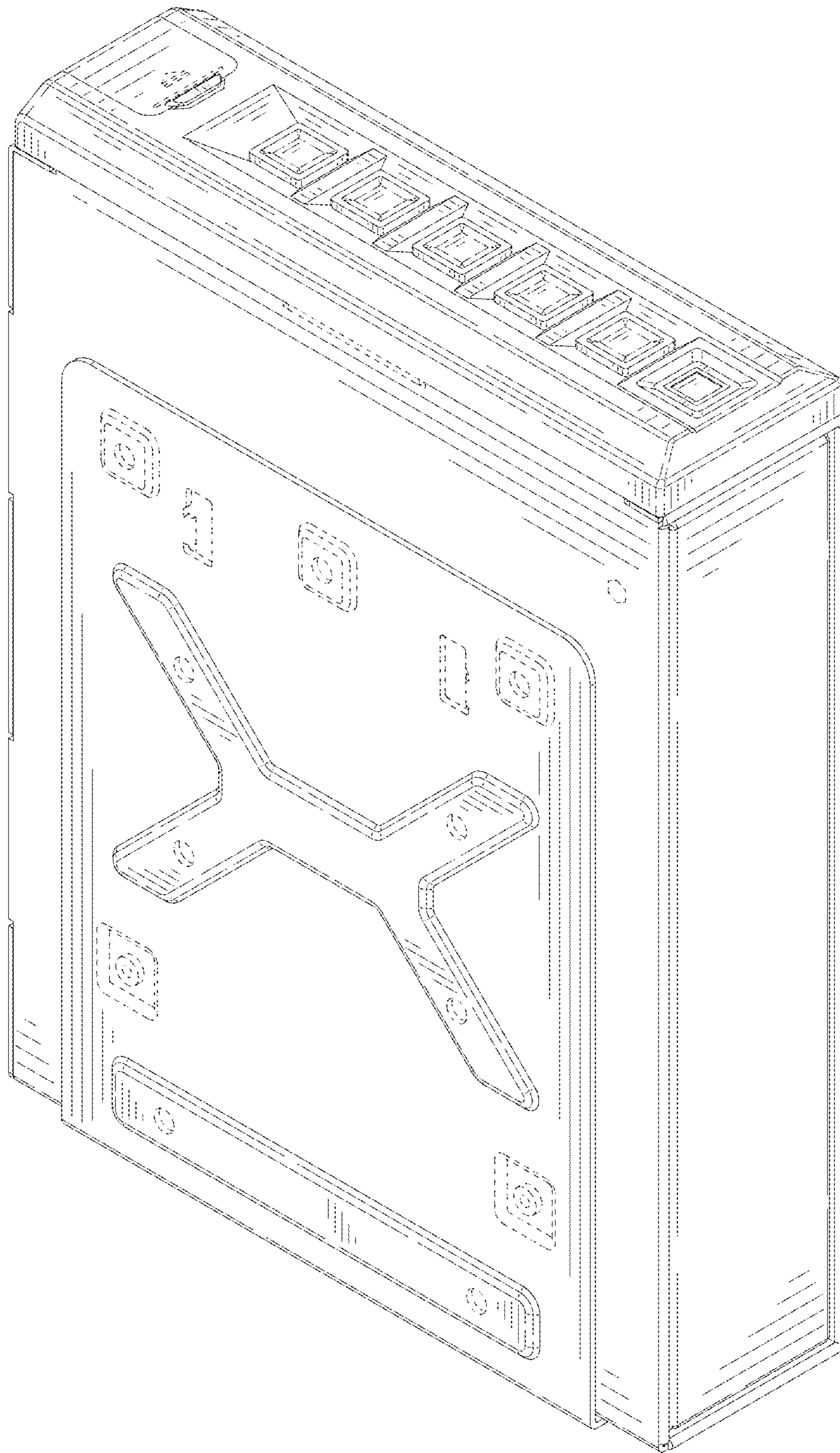


FIG. 1

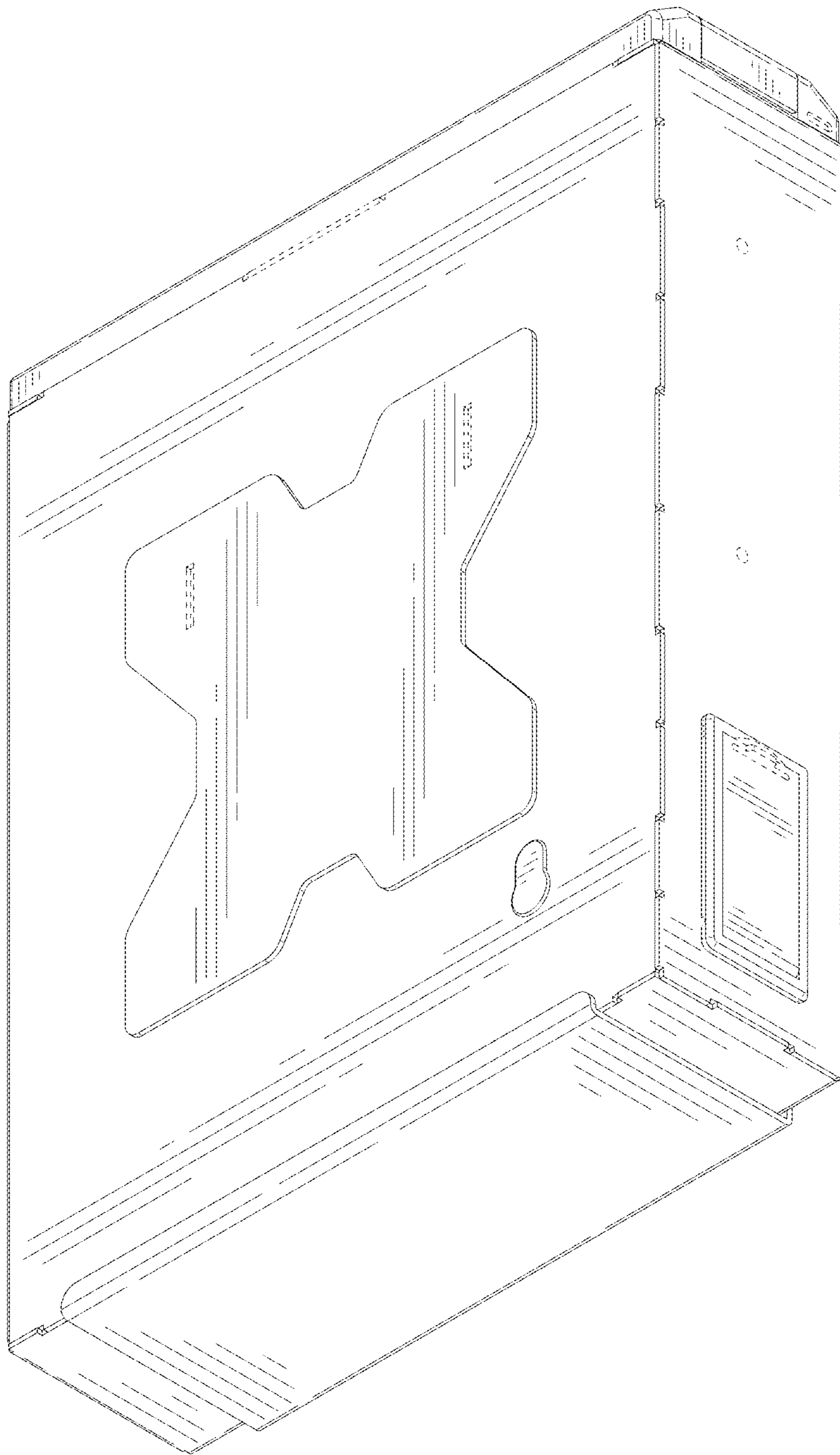


FIG. 2

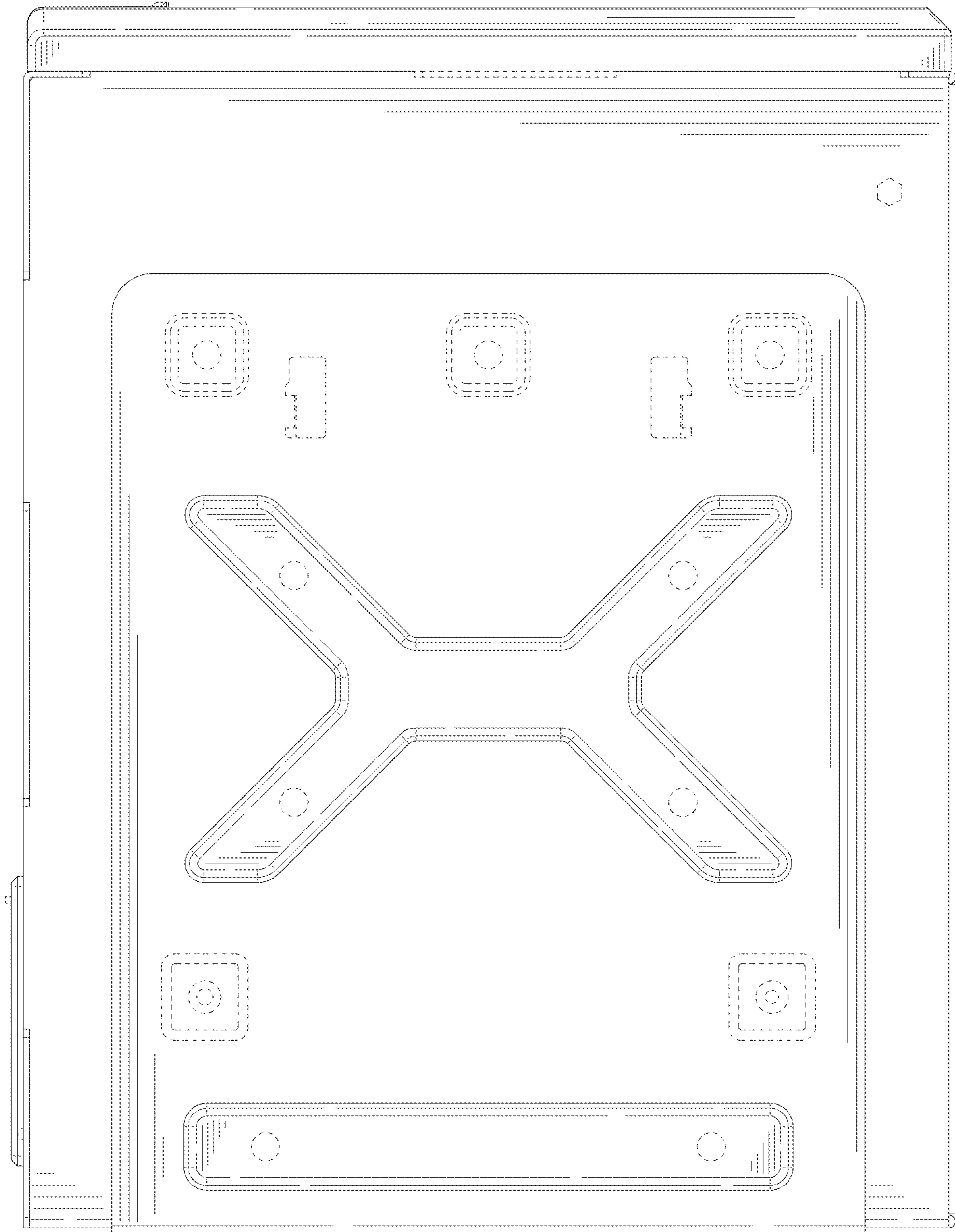


FIG. 3

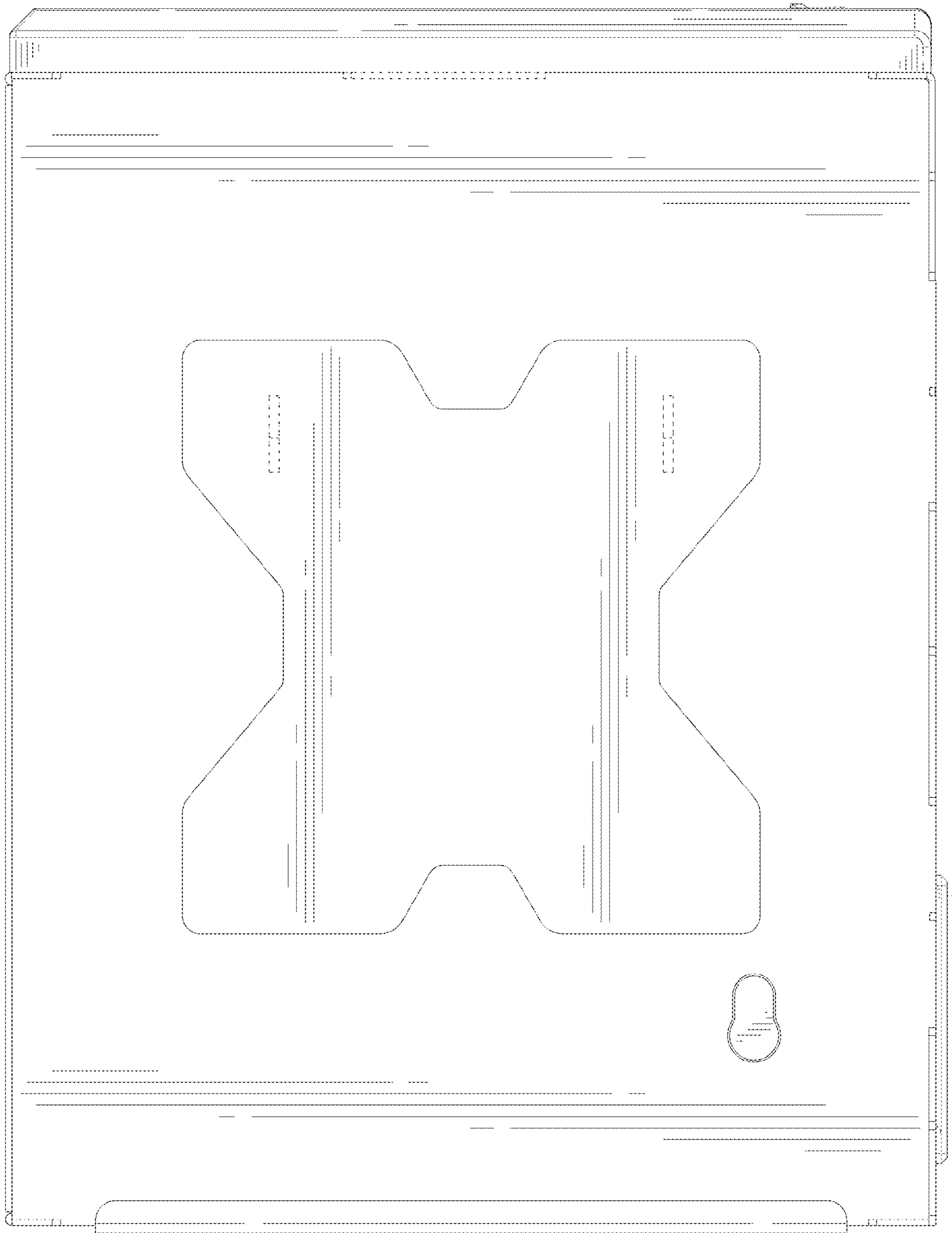


FIG. 4

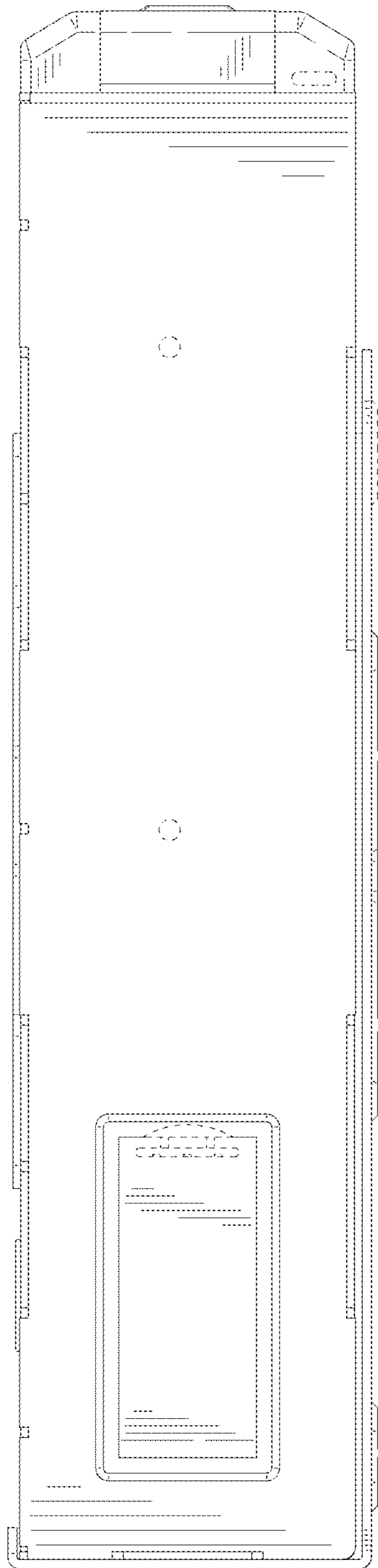


FIG. 5

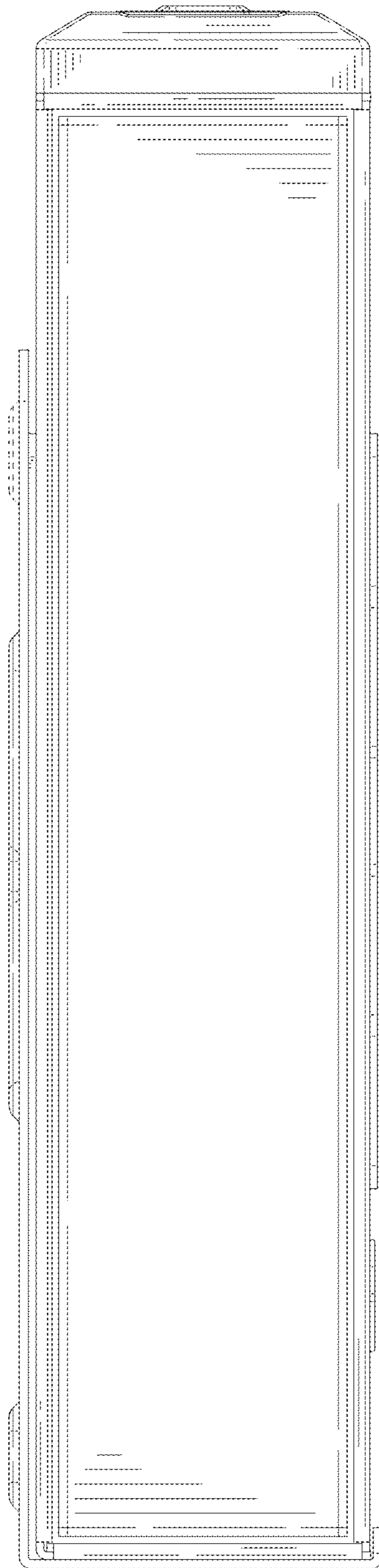


FIG. 6

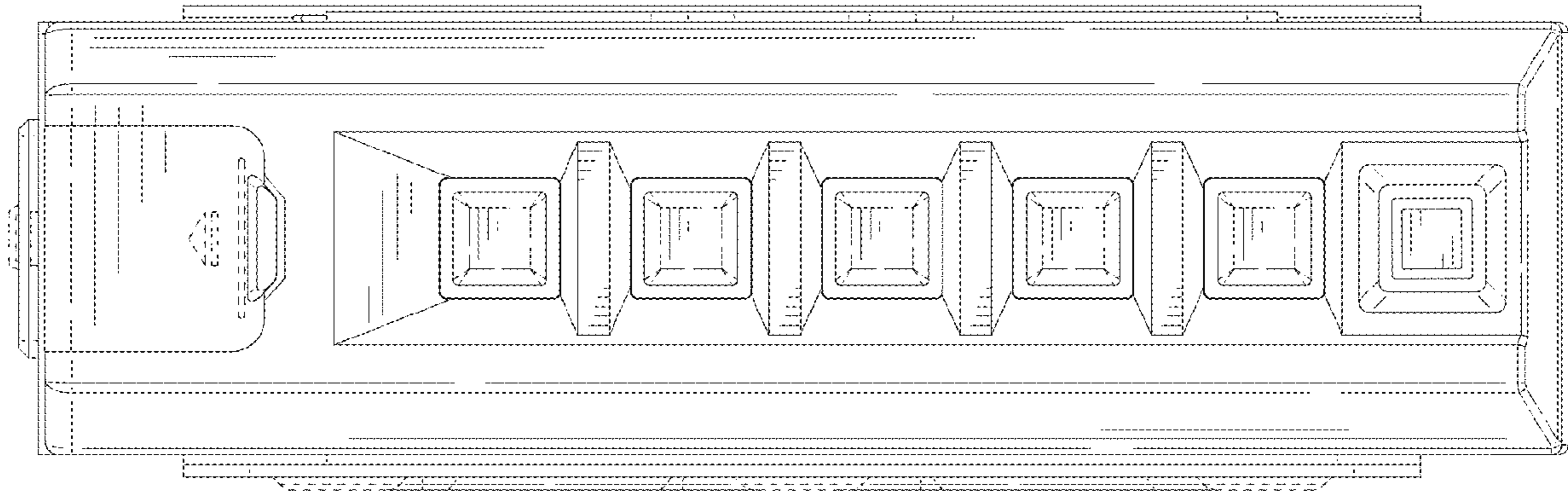


FIG. 7

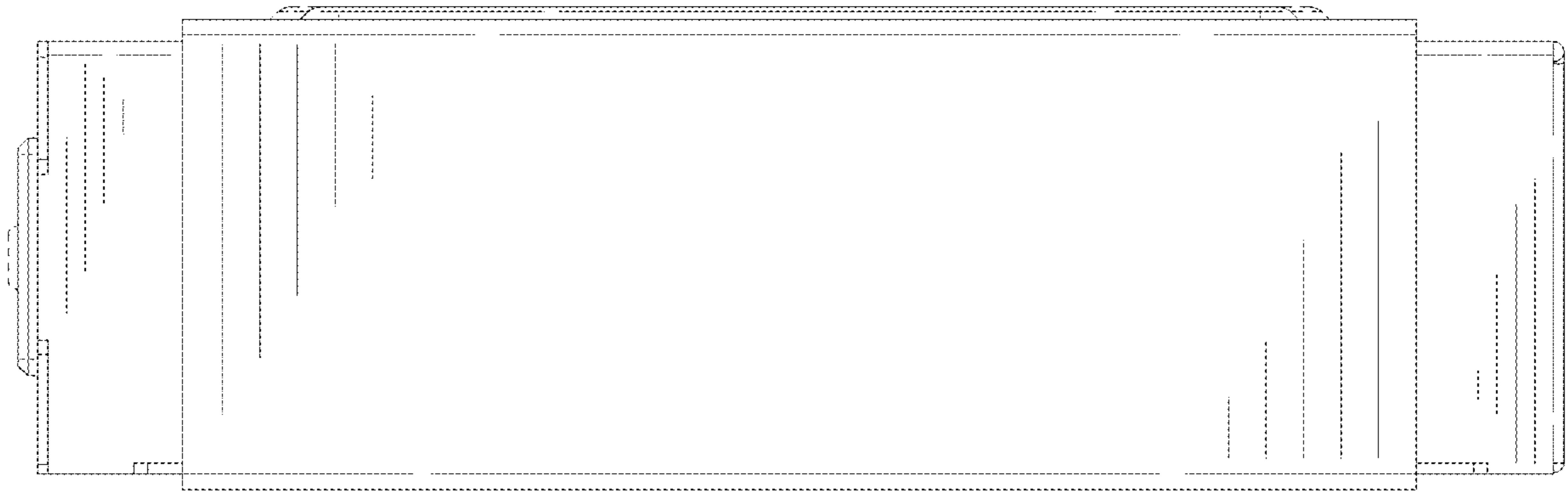


FIG. 8