

US00D970845S

(12) **United States Design Patent**
Reilly

(10) **Patent No.:** **US D970,845 S**

(45) **Date of Patent:** **** Nov. 22, 2022**

- (54) **FUNERAL URN**
- (71) Applicant: **B-H@PPY Pty. Ltd. as Trustee for Plan B Family Trust**, Coombabah (AU)
- (72) Inventor: **Bee Martin Reilly**, Coombabah (AU)
- (73) Assignee: **B-H@PPY PTY. LTD.**, Coombabah (AU), as Trustee for Plan B family Trust
- (**) Term: **15 Years**
- (21) Appl. No.: **29/767,848**

2,323,804	A *	7/1943	Driscoll	C11C 5/002
					422/164
2,713,256	A *	7/1955	Oesterle	F21V 37/0095
					431/291
2,750,775	A *	6/1956	Robertson	F21V 35/00
					431/297
3,081,612	A *	3/1963	Roscovich	F23D 3/16
					431/315
D208,064	S *	7/1967	Quisfgaard	D26/22
3,385,503	A *	5/1968	Stump	B65D 81/3216
					206/811
D212,413	S *	10/1968	Lacoste	D9/560
3,744,957	A *	7/1973	Wright, Sr.	C11C 5/008
					431/126
D229,394	S *	11/1973	Givenchy	D9/739
3,781,164	A *	12/1973	McCaffery	F21V 35/00
					431/291

(Continued)

- (22) Filed: **Jan. 26, 2021**
- (51) **LOC (13) Cl.** **99-00**
- (52) **U.S. Cl.**
USPC **D99/5**
- (58) **Field of Classification Search**
USPC D99/5, 25; D26/6, 7, 11, 142; D6/661, D6/672; D7/523; D9/432, 542, 560, D9/726, 739; D28/85; 431/288, 291, 431/126; 27/1, 2
CPC A61G 17/00; A61G 17/08; F23D 3/16; F21V 35/00; B65D 25/00; C11C 5/00; C11C 5/008
See application file for complete search history.

FOREIGN PATENT DOCUMENTS

WO D070372-002 * 5/2013

Primary Examiner — Paula Allen Greene
(74) *Attorney, Agent, or Firm* — Eric Karich

(57) **CLAIM**

The ornamental design for a funeral urn, as shown and described.

DESCRIPTION

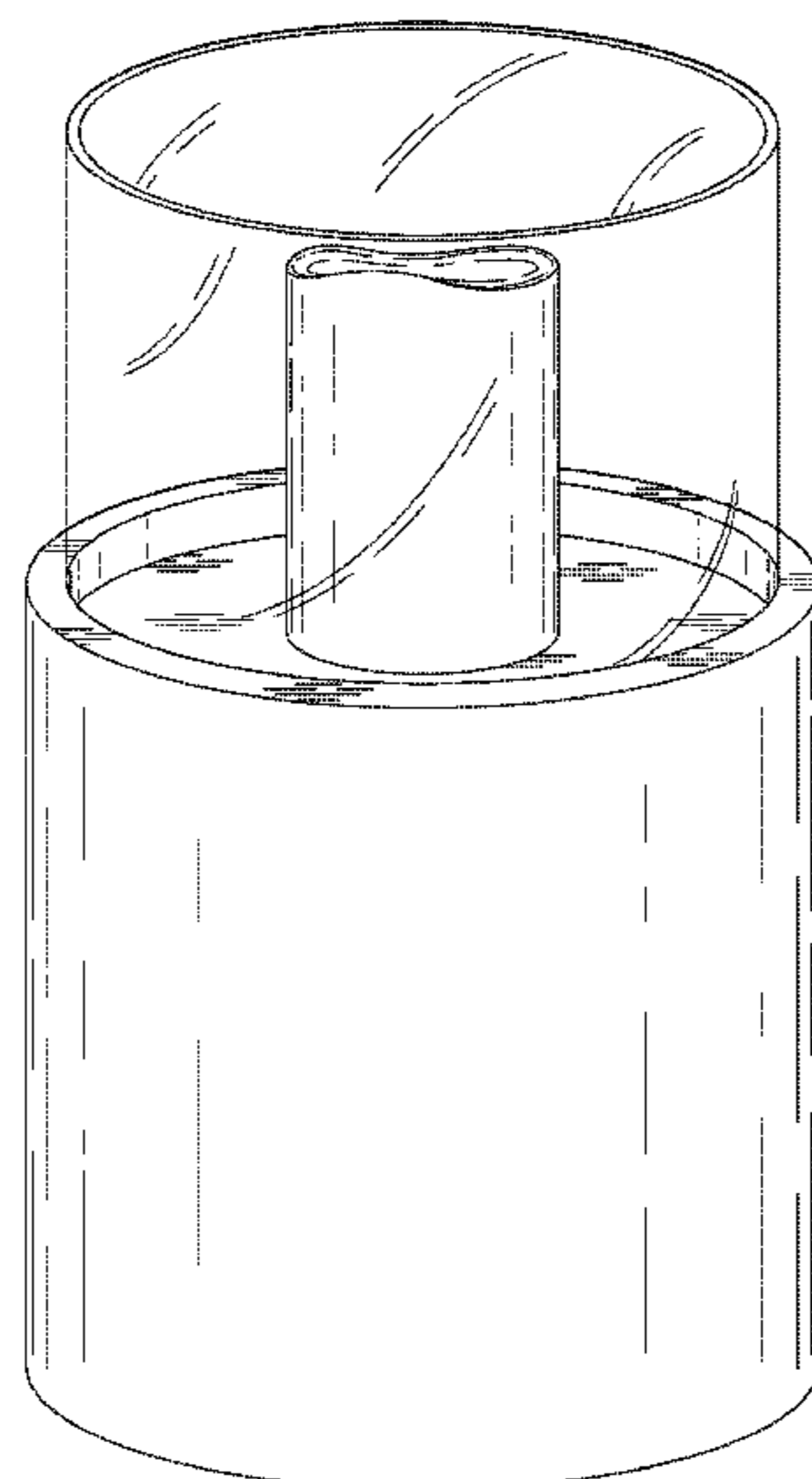
FIG. 1 is a perspective view of a funeral urn, showing the new design;
 FIG. 2 is a front elevational view thereof;
 FIG. 3 is a rear elevational view thereof;
 FIG. 4 is a left side elevational view thereof;
 FIG. 5 is a right side elevational view thereof;
 FIG. 6 is a top plan view thereof; and,
 FIG. 7 is a bottom plan view thereof.
 The broken line showing bottom features is for the purpose of illustrating portions of the funeral urn that form no part of the claimed design.

1 Claim, 6 Drawing Sheets

(56) **References Cited**

U.S. PATENT DOCUMENTS

1,259,921	A *	3/1918	Squeglia	F21V 35/00
					431/291
1,660,760	A *	2/1928	Murphy	A47G 33/00
					428/3
2,137,701	A *	11/1938	Replogle	F21S 13/12
					431/291
2,211,326	A *	8/1940	Gillice	B65D 25/04
					220/8
2,240,071	A *	4/1941	Gisolfi	F21V 35/00
					248/346.03



(56)

References Cited

U.S. PATENT DOCUMENTS

D266,489 S * 10/1982 Toback D9/455
 4,544,351 A * 10/1985 Marsicano F21V 35/00
 362/163
 4,584,848 A * 4/1986 Barnett F25D 3/107
 62/294
 D291,012 S * 7/1987 Liljeqvist D26/104
 4,693,681 A * 9/1987 Comstock F21S 13/00
 431/324
 D301,749 S * 6/1989 Comstock D26/9
 D328,248 S * 7/1992 Ruff D9/503
 5,264,995 A * 11/1993 McKee F21S 13/00
 362/161
 D400,398 S * 11/1998 McNaughton D7/513
 5,879,151 A * 3/1999 Schultz B65D 51/26
 215/354
 6,066,329 A * 5/2000 Morrison A01M 29/12
 424/405
 D433,168 S * 10/2000 Cousins D26/9
 6,214,295 B1 * 4/2001 Freeman C11C 5/002
 422/126
 6,241,512 B1 * 6/2001 Freeman C11C 5/006
 44/275
 6,435,694 B1 * 8/2002 Bell C11C 5/008
 431/291
 6,447,732 B1 * 9/2002 West A61L 9/03
 422/126

6,554,447 B1 * 4/2003 Kotary B44C 1/10
 428/339
 D476,427 S * 6/2003 Pappas D26/6
 6,802,707 B2 * 10/2004 Furner F23D 3/16
 431/298
 D539,091 S * 3/2007 Mansfield D7/509
 D589,203 S * 3/2009 Sabernig D26/104
 D590,078 S * 4/2009 Horenziak D26/9
 D668,177 S * 10/2012 Friesen D11/152
 D731,211 S * 6/2015 Denby D6/675
 D760,424 S * 6/2016 Li D26/96
 D762,918 S * 8/2016 Fitzwater, II D26/142
 D767,810 S * 9/2016 Li D26/96
 D925,074 S * 7/2021 Wu D23/367
 D943,859 S * 2/2022 Granger Duits D99/5
 2006/0021986 A1 * 2/2006 Mansfield B65D 1/265
 220/506
 2008/0081305 A1 * 4/2008 Horenziak F23D 3/16
 431/129
 2014/0004472 A1 * 1/2014 Tovanyan C11C 5/008
 431/288
 2015/0103520 A1 * 4/2015 Fournier F21V 33/0056
 362/190
 2017/0121634 A1 * 5/2017 Le F23D 3/16
 2017/0191654 A1 * 7/2017 Lynch F21S 9/02
 2021/0048173 A1 * 2/2021 Li F21V 23/0442
 2022/0133574 A1 * 5/2022 Fleumer A61G 17/08
 27/1

* cited by examiner

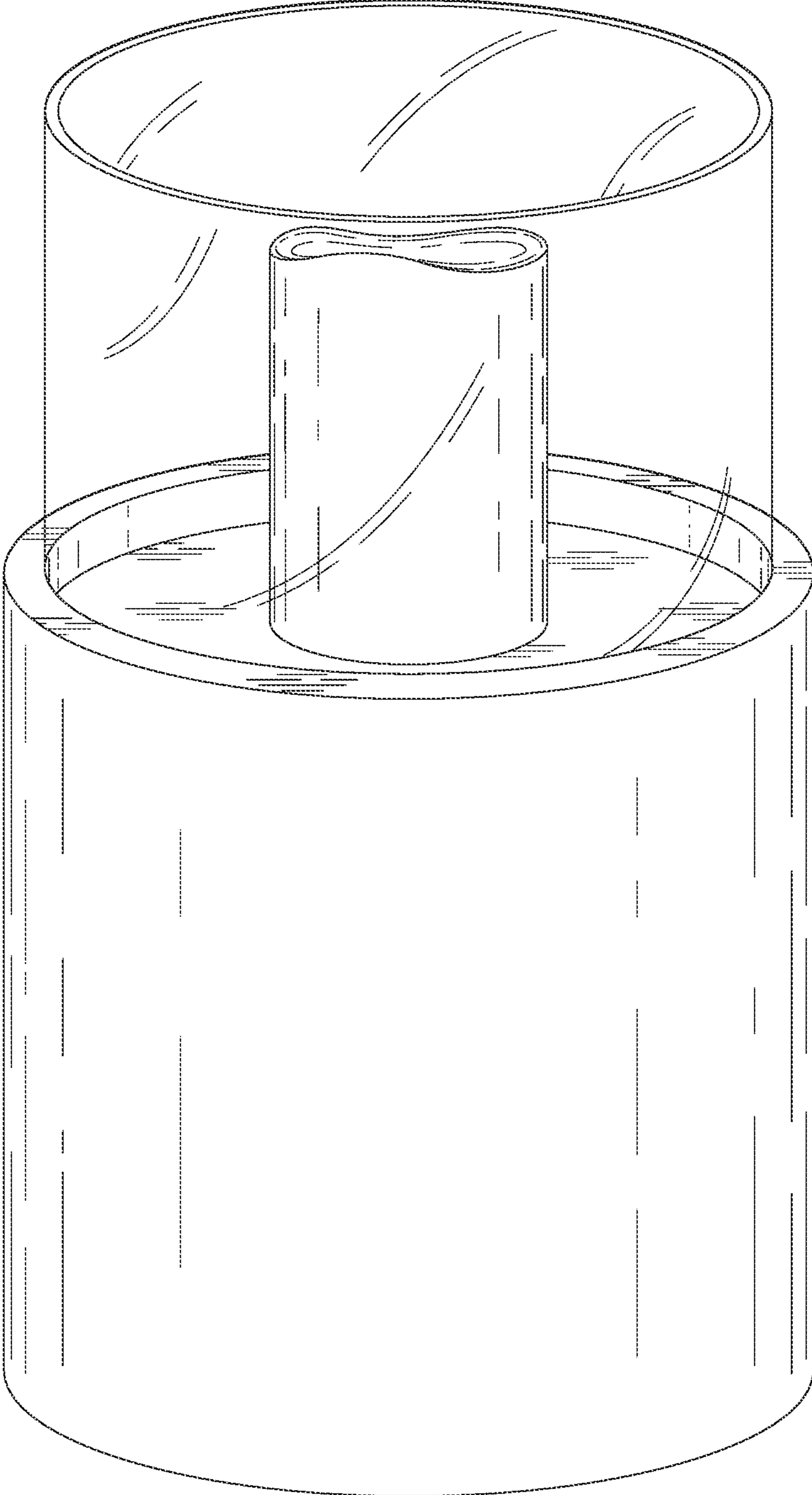


FIG. 1

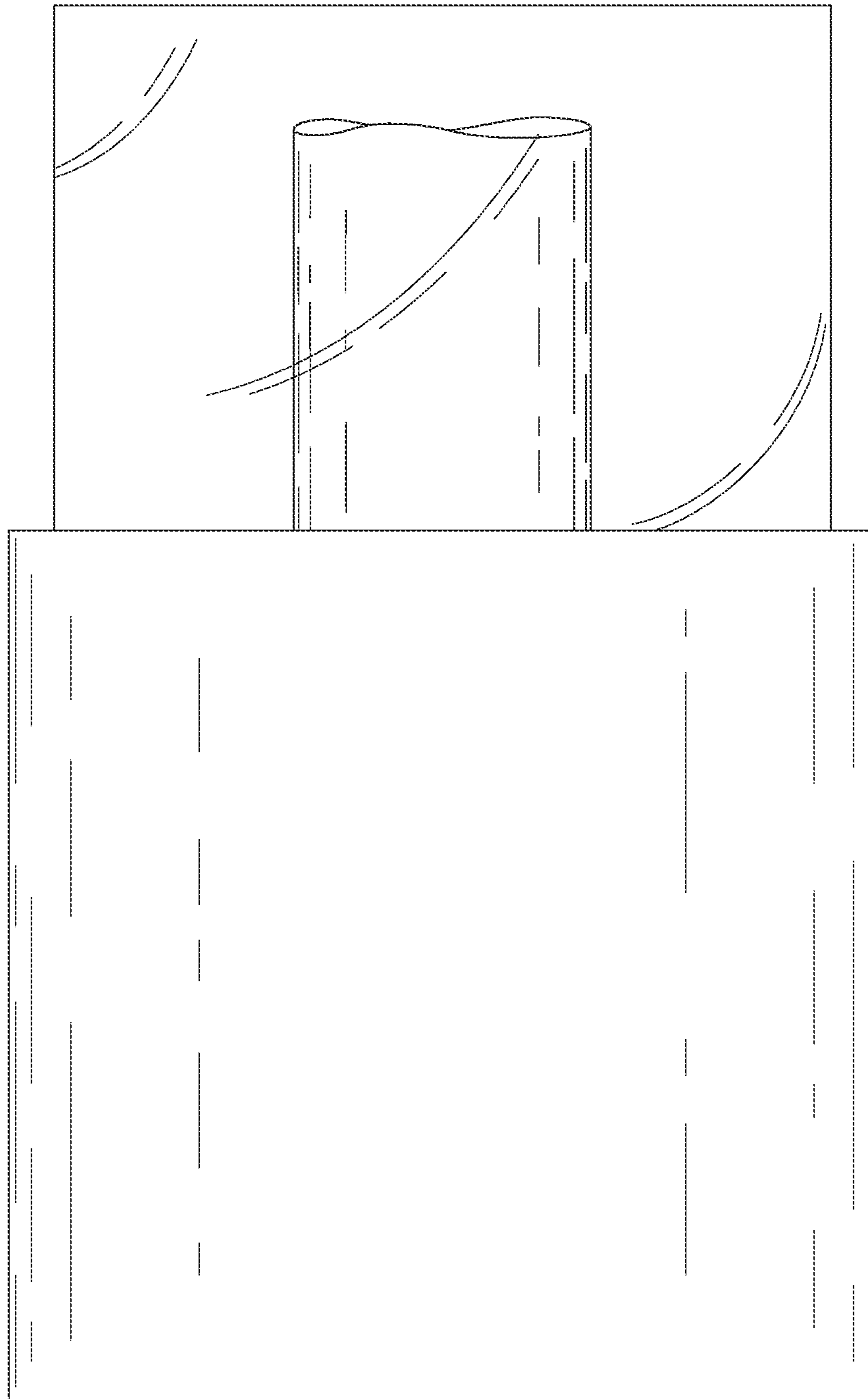


FIG. 2

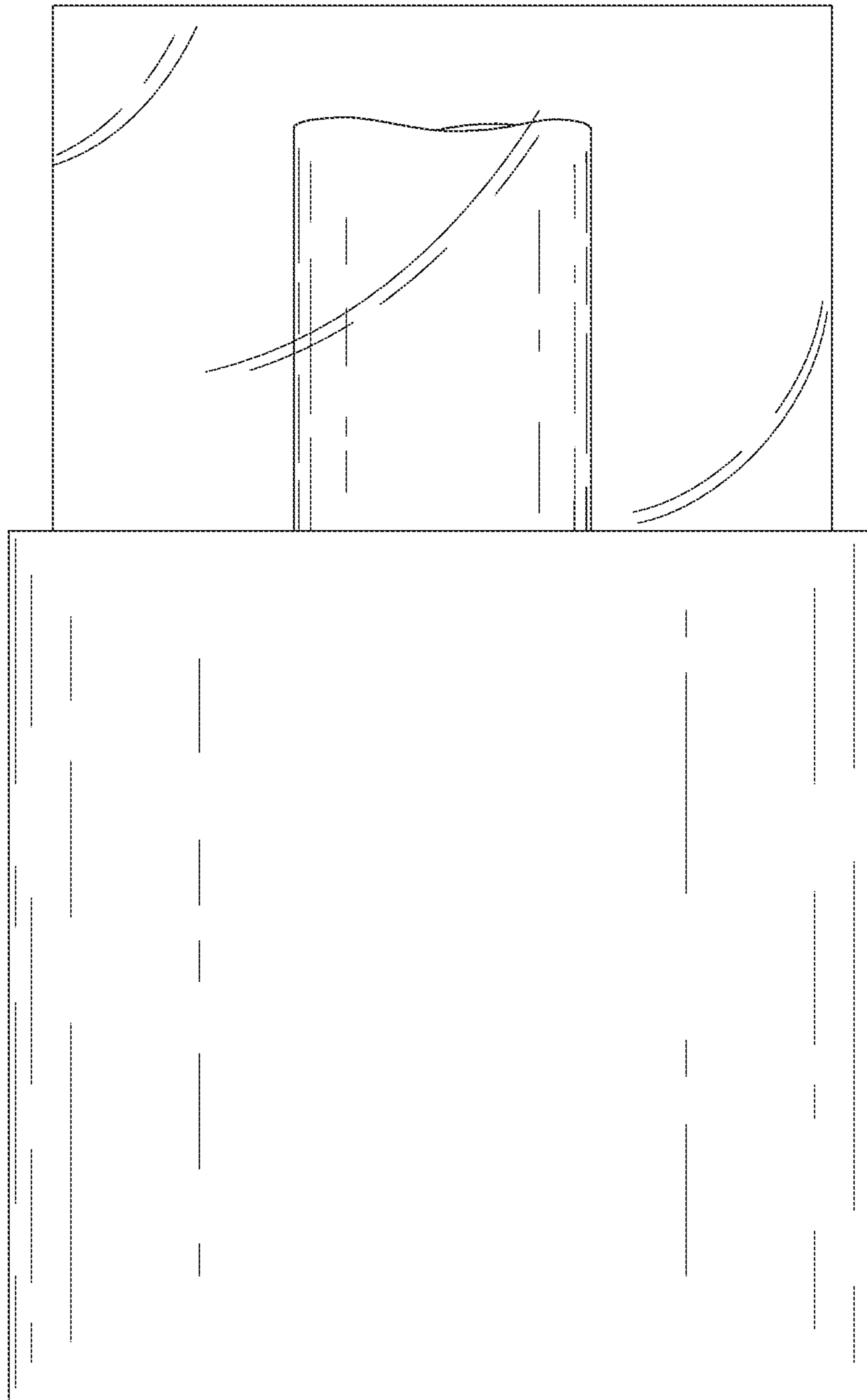


FIG. 3

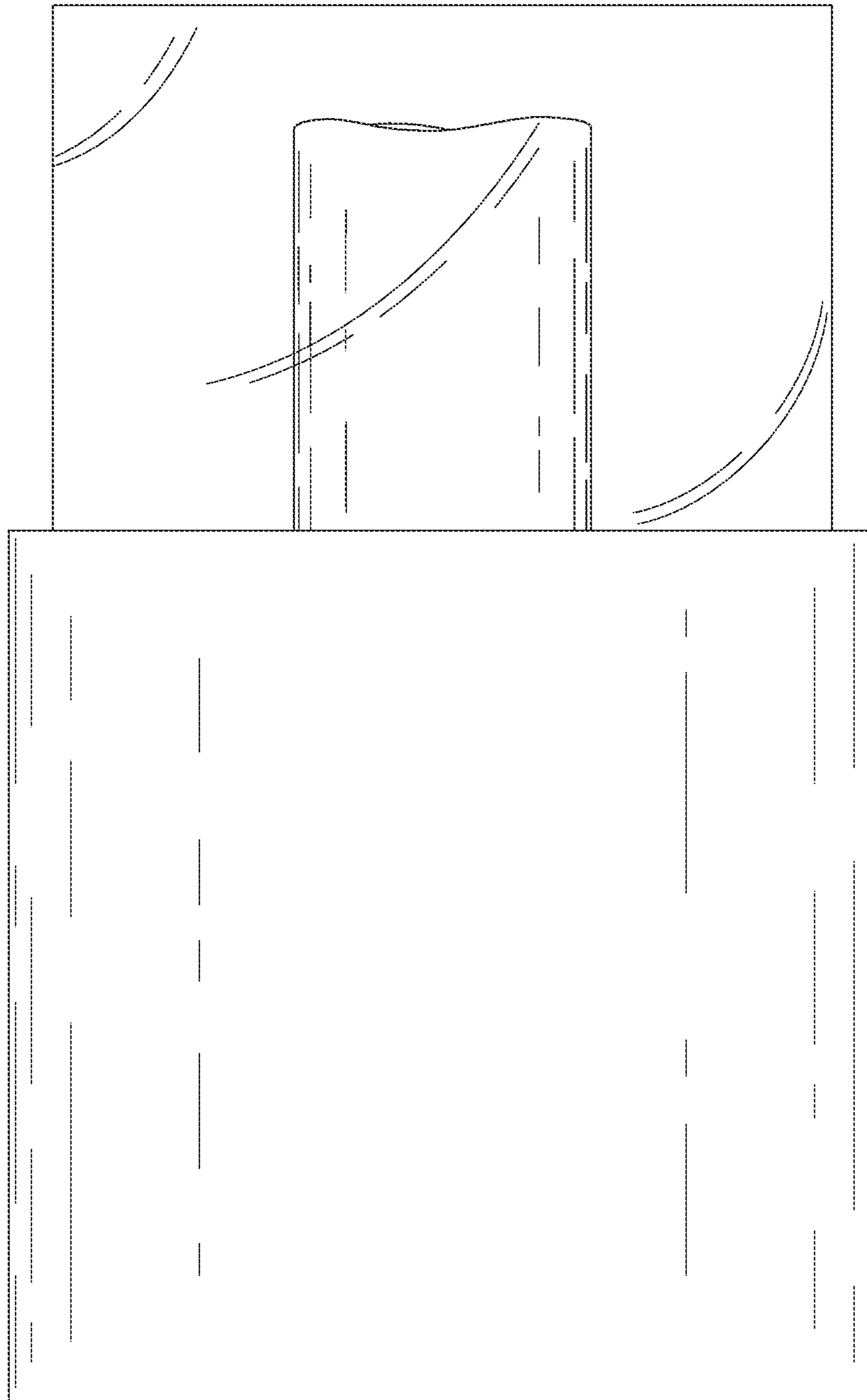


FIG. 4

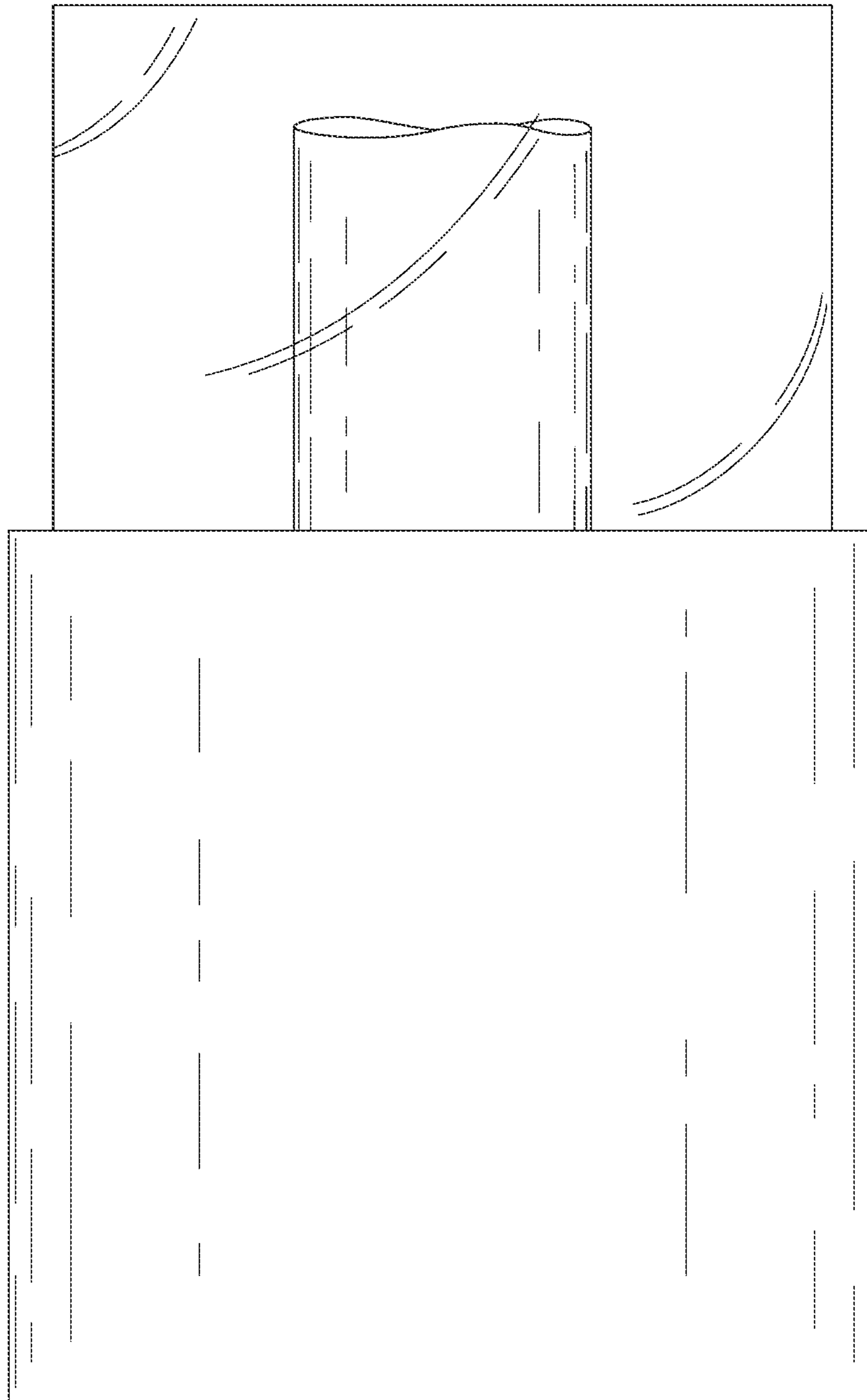


FIG. 5

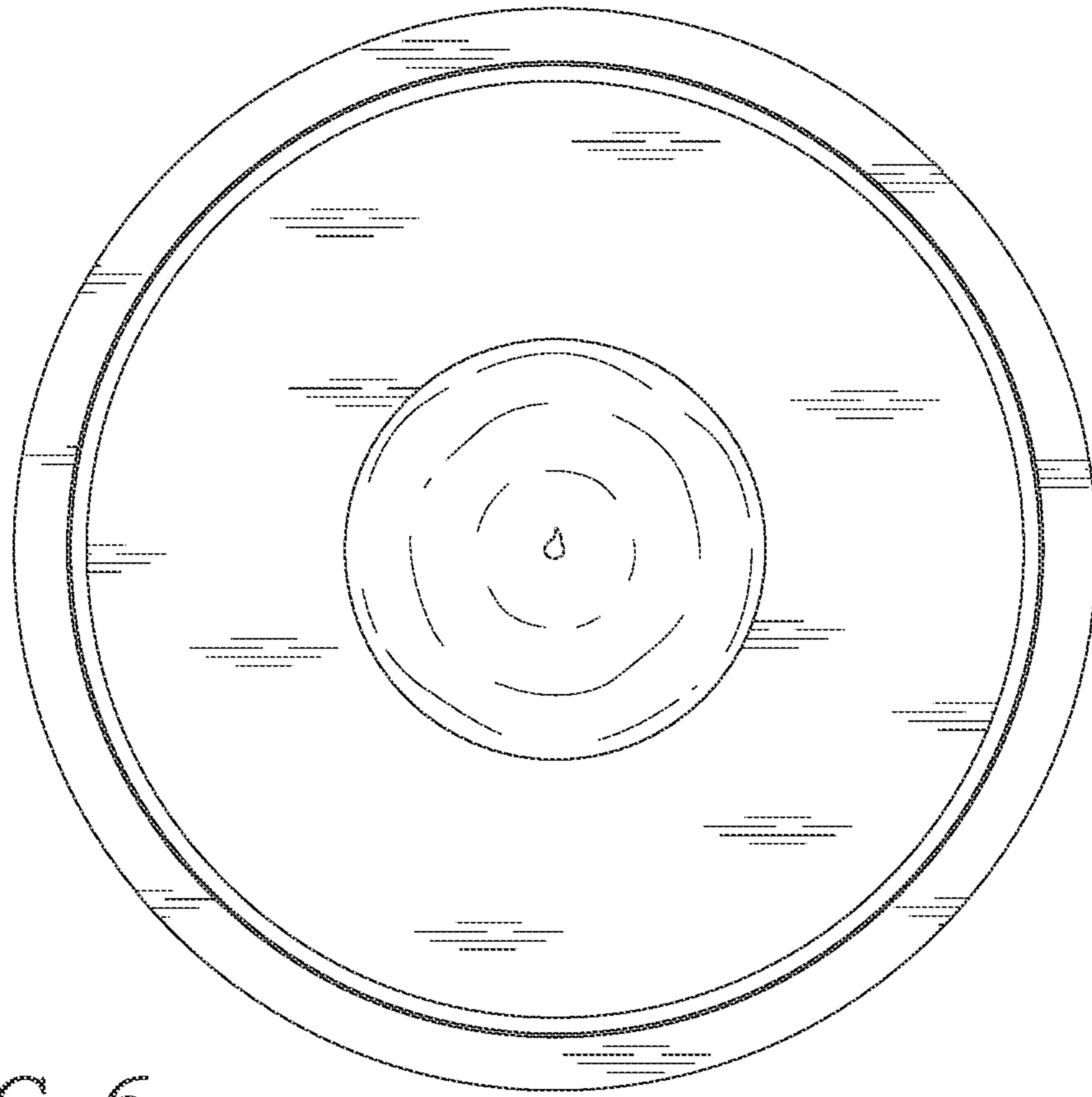


FIG. 6

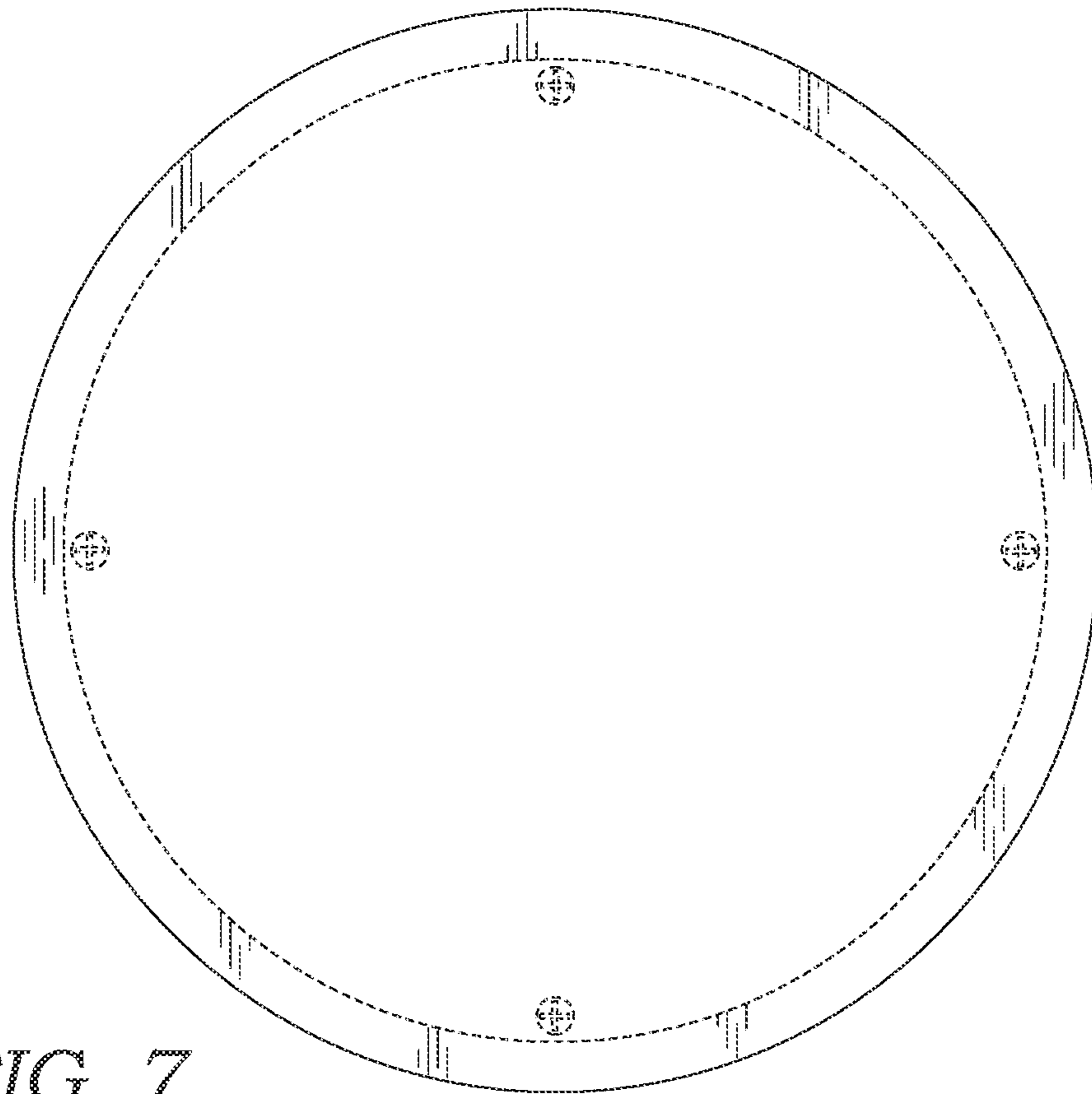


FIG. 7