



US00D970844S

(12) **United States Design Patent**  
**Huang**

(10) **Patent No.:** **US D970,844 S**

(45) **Date of Patent:** **\*\* Nov. 22, 2022**

(54) **KITCHEN SINK MAT**  
(71) Applicant: **Jing Huang**, Shenzhen (CN)  
(72) Inventor: **Jing Huang**, Shenzhen (CN)  
(\*\*) Term: **15 Years**

D904,709 S \* 12/2020 Gee, II ..... D32/57  
D916,412 S \* 4/2021 Moody Fear ..... D32/55  
D917,123 S \* 4/2021 Hyde ..... D32/55  
D938,122 S \* 12/2021 Chen ..... D32/55  
D942,725 S \* 2/2022 Schlütter ..... D32/55  
D951,572 S \* 5/2022 Schlütter ..... D32/55

(21) Appl. No.: **29/803,087**  
(22) Filed: **Aug. 16, 2021**  
(51) **LOC (13) Cl.** ..... **07-05**  
(52) **U.S. Cl.**  
USPC ..... **D32/57**  
(58) **Field of Classification Search**  
USPC ..... D32/55, 276, 58; D6/510, 525;  
D30/133; 211/41.5, 41.4, 41.3, 41.8;  
361/679.4; 312/311, 333, 334.4;  
D7/354, 629  
CPC .. A47L 15/505; A47L 15/503; A47L 15/0013;  
A47L 19/02; A47L 19/04; A47J 47/20  
See application file for complete search history.

**FOREIGN PATENT DOCUMENTS**

EM 000088687-0002 3/2004

\* cited by examiner

*Primary Examiner* — Austin Murphy

(74) *Attorney, Agent, or Firm* — Elizabeth Yang

(56) **References Cited**

**U.S. PATENT DOCUMENTS**

D363,577 S \* 10/1995 Brightbill ..... D32/57  
D631,952 S \* 2/2011 Marcoff ..... D32/55  
D875,905 S 2/2020 Hyde  
D875,906 S 2/2020 Hyde  
D877,302 S 3/2020 Hyde  
D896,459 S \* 9/2020 Eilmus ..... D32/55  
D897,621 S \* 9/2020 Klug ..... D32/55

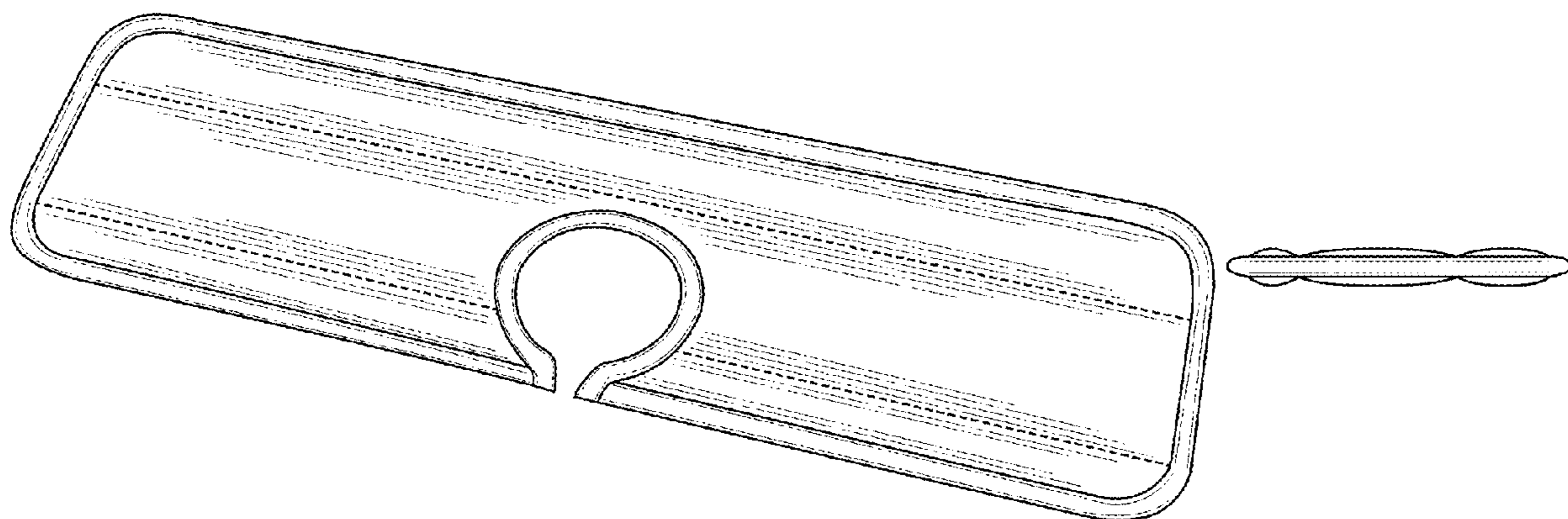
(57) **CLAIM**

The ornamental design for a kitchen sink mat, as shown and described.

**DESCRIPTION**

FIG. 1 is a front perspective view of a kitchen sink mat according to my new design;  
FIG. 2 is a front view thereof;  
FIG. 3 is a hack view thereof;  
FIG. 4 is a left side view thereof;  
FIG. 5 is a right side view thereof;  
FIG. 6 is a top view thereof; and,  
FIG. 7 is a bottom view thereof.  
The broken line features are presented for illustrative purposes and form no part of the claimed design.

**1 Claim, 7 Drawing Sheets**



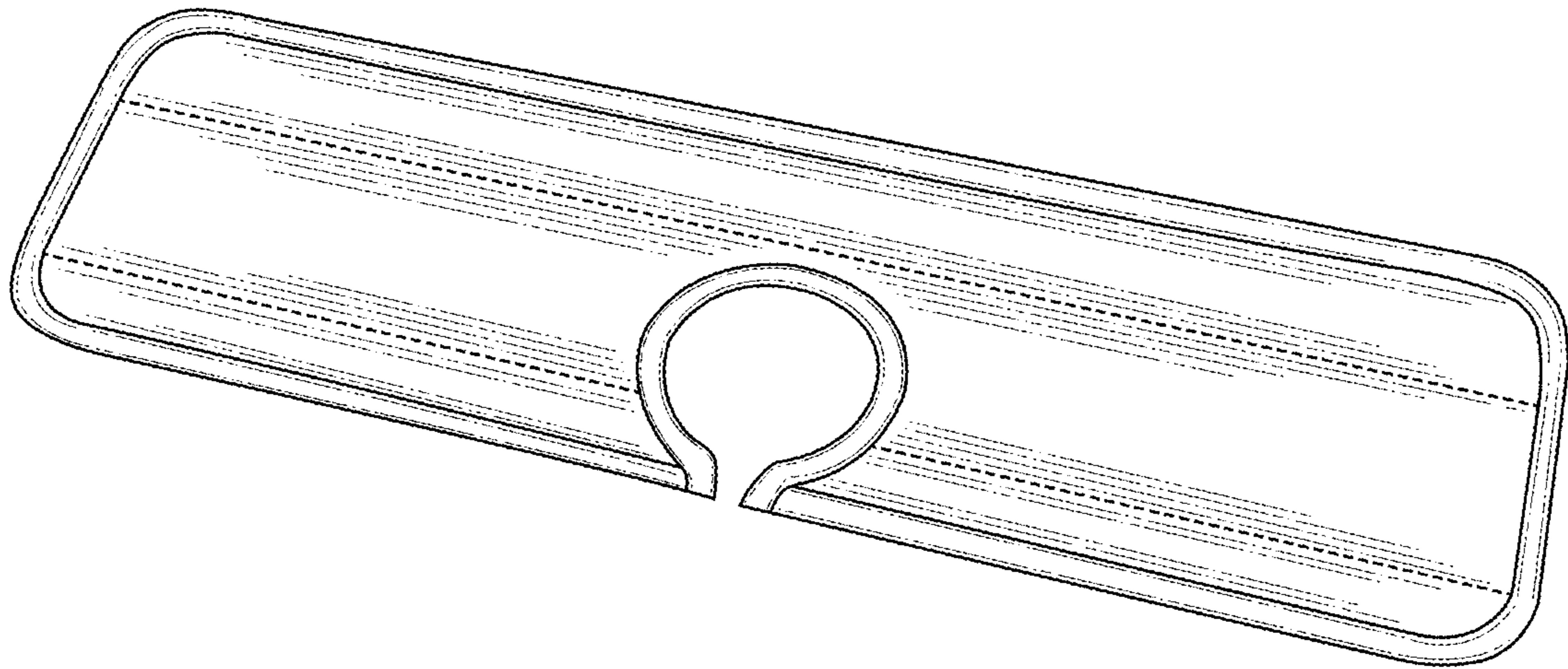


FIG.1

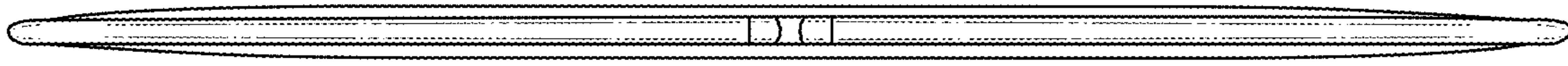


FIG.2

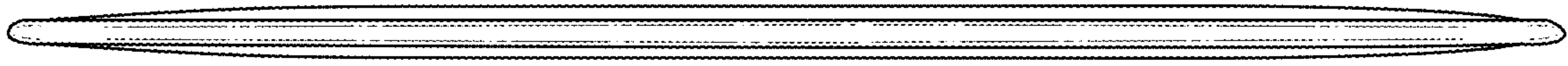


FIG.3

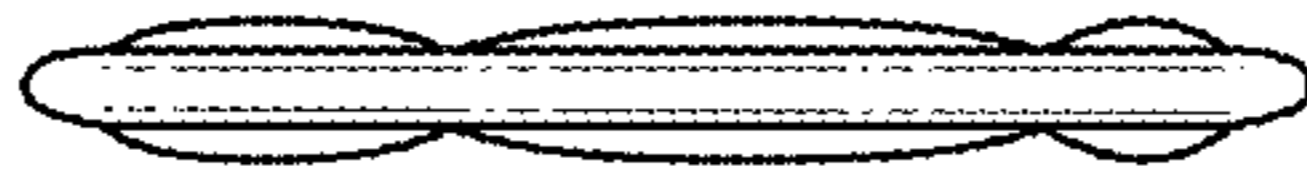


FIG.4

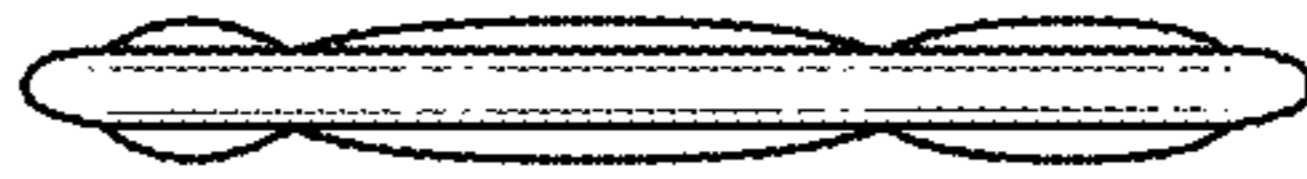


FIG.5

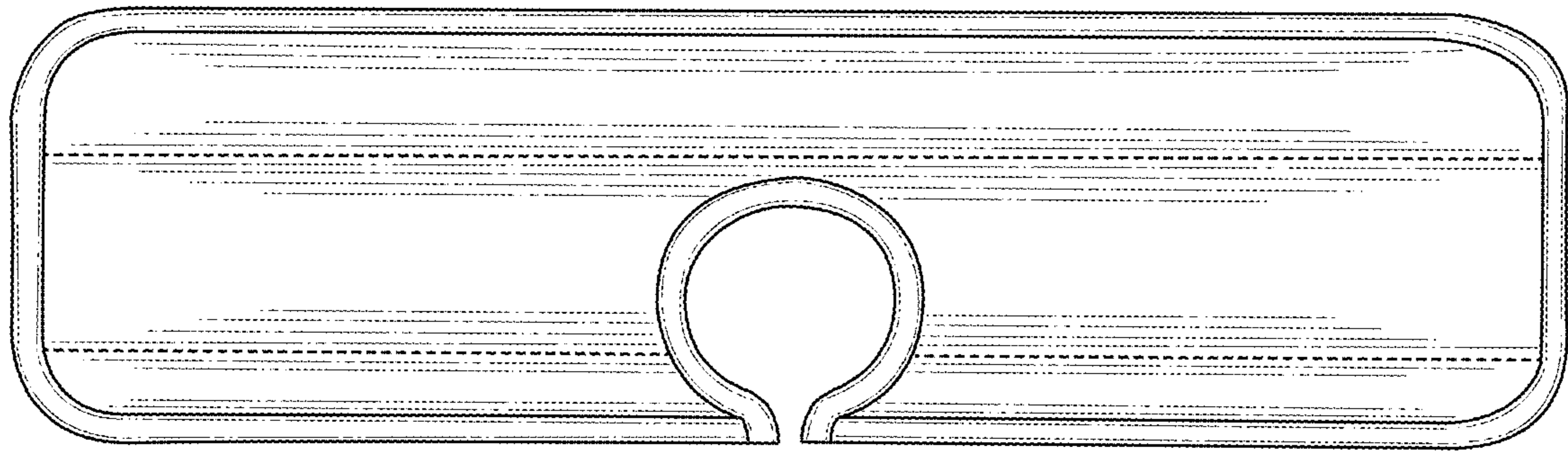


FIG.6

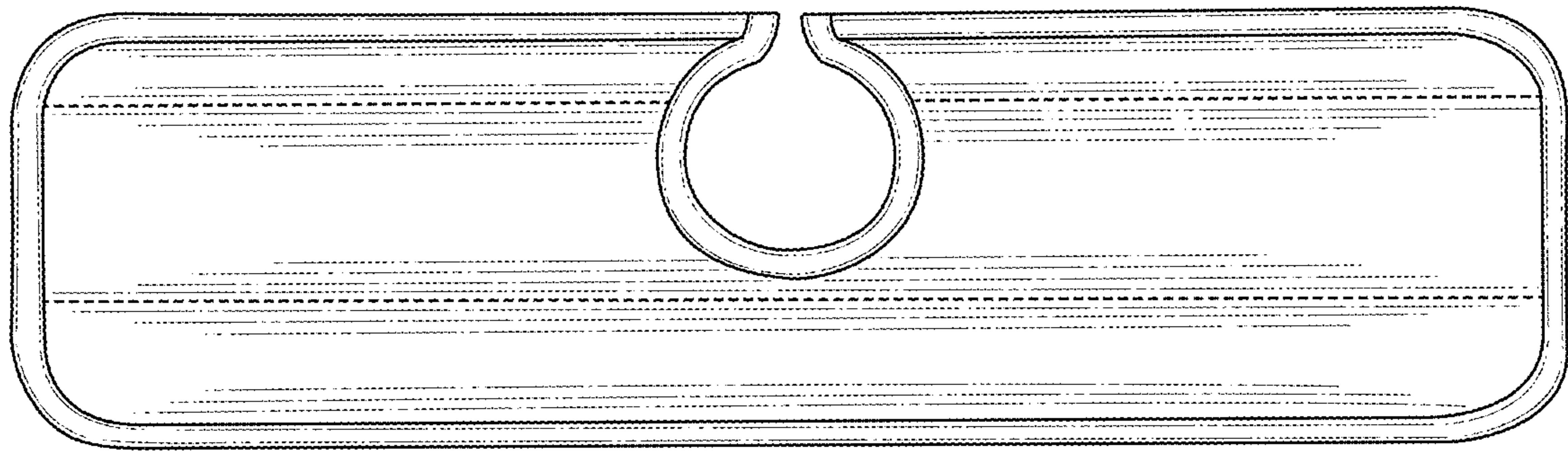


FIG.7