



US00D970843S

(12) **United States Design Patent**
Mao

(10) **Patent No.:** **US D970,843 S**

(45) **Date of Patent:** **** Nov. 22, 2022**

(54) **DISH DRYING RACK**

(71) Applicant: **Hui Mao**, Zhejiang (CN)

(72) Inventor: **Hui Mao**, Zhejiang (CN)

(**) Term: **15 Years**

(21) Appl. No.: **29/846,394**

(22) Filed: **Jul. 15, 2022**

(51) **LOC (13) Cl.** **07-05**

(52) **U.S. Cl.**
USPC **D32/55**

(58) **Field of Classification Search**
USPC D6/525; D30/133; D32/55-59
CPC A47L 19/00; A47L 19/02; A47L 17/00;
A47L 17/04; A47J 47/20; A47J 2201/00;
A47J 47/00; B65D 35/02
See application file for complete search history.

(56) **References Cited**

U.S. PATENT DOCUMENTS

D151,047 S *	9/1948	Jensen	206/587
D297,393 S *	8/1988	Picozza	D7/359
D336,182 S *	6/1993	Machut	D6/310
D344,828 S *	3/1994	Adams	D32/56
D376,882 S *	12/1996	Cook	D32/55
D418,721 S *	1/2000	Goodman	D7/624.1
D446,369 S *	8/2001	Smith	D32/55
D448,132 S *	9/2001	Wolfenden	D32/55
D534,701 S *	1/2007	Schmidt	D32/55
D610,405 S *	2/2010	McConnell	D7/409
D634,089 S *	3/2011	Wisniewski	D32/55
D663,912 S *	7/2012	Le	D32/55
D696,829 S *	12/2013	Huang	D32/55
D706,008 S *	5/2014	Lerner	D32/55
D720,109 S *	12/2014	Huang	D32/55

D720,810 S *	1/2015	Chuang	D19/90
9,468,334 B2 *	10/2016	Liu	A47J 37/067
D819,391 S *	6/2018	Effler	D7/359
D873,520 S *	1/2020	Le	D32/55
D875,340 S *	2/2020	Xie	D32/56
D882,198 S *	4/2020	Benishai	D32/55
D916,412 S *	4/2021	Moody Fear	D32/55
D931,568 S *	9/2021	Padgett	
D938,122 S *	12/2021	Chen	D32/55

FOREIGN PATENT DOCUMENTS

GB 6219958 * 7/2015

* cited by examiner

Primary Examiner — Kevin K Rudzinski

Assistant Examiner — Richard E Yenchsky

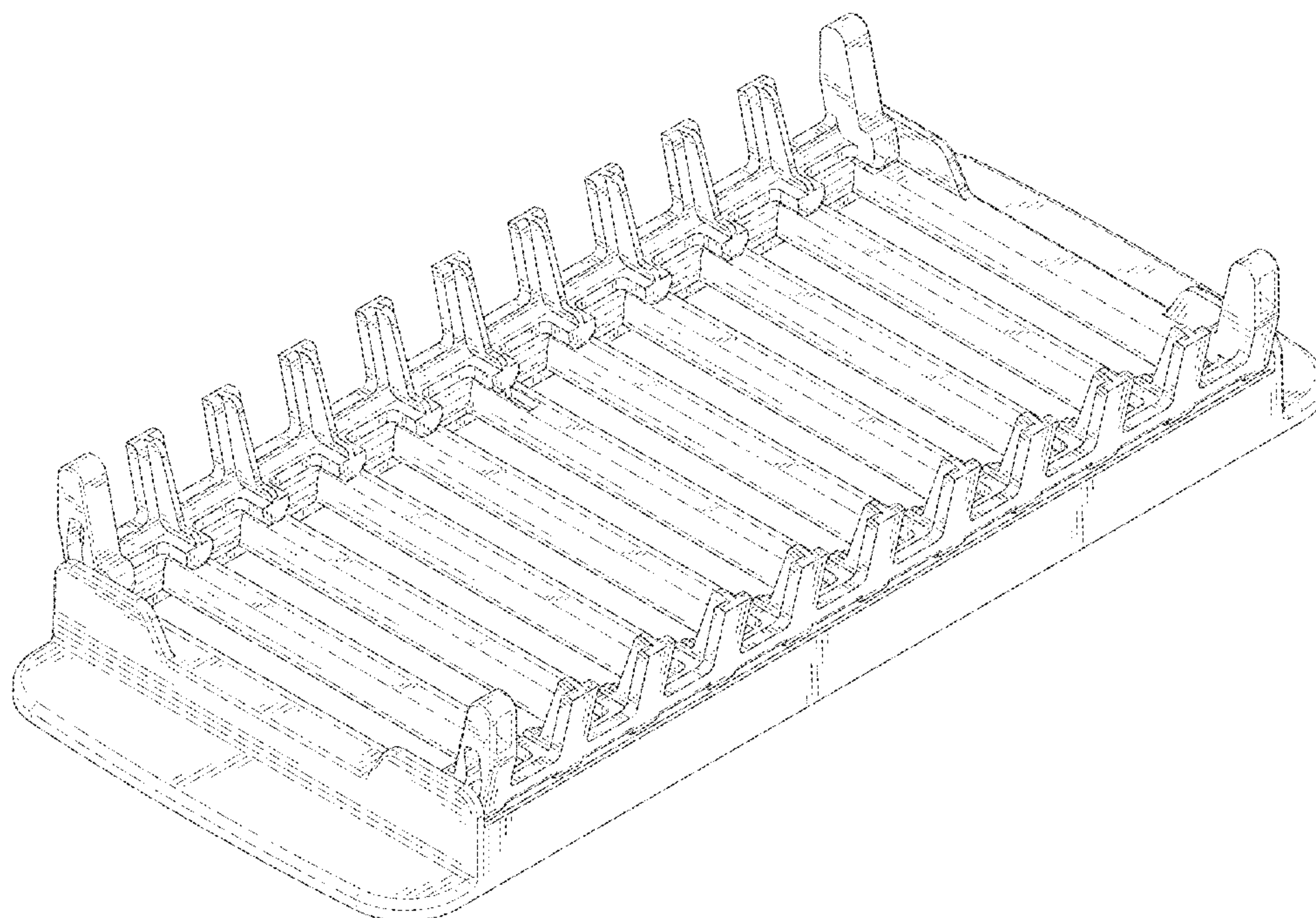
(57) **CLAIM**

The ornamental design for a dish drying rack, as shown and described.

DESCRIPTION

FIG. 1 is a front and top perspective view of a dish drying rack, showing my new design;
FIG. 2 is a rear and bottom perspective view thereof;
FIG. 3 is a front elevation view thereof;
FIG. 4 is a rear elevation view thereof;
FIG. 5 is a left side elevation view thereof;
FIG. 6 is a right side elevation view thereof;
FIG. 7 is a top plan view thereof; and,
FIG. 8 is a bottom plan view thereof.
The broken lines in the figures illustrate portions of the dish drying rack that form no part of the claimed design.

1 Claim, 8 Drawing Sheets



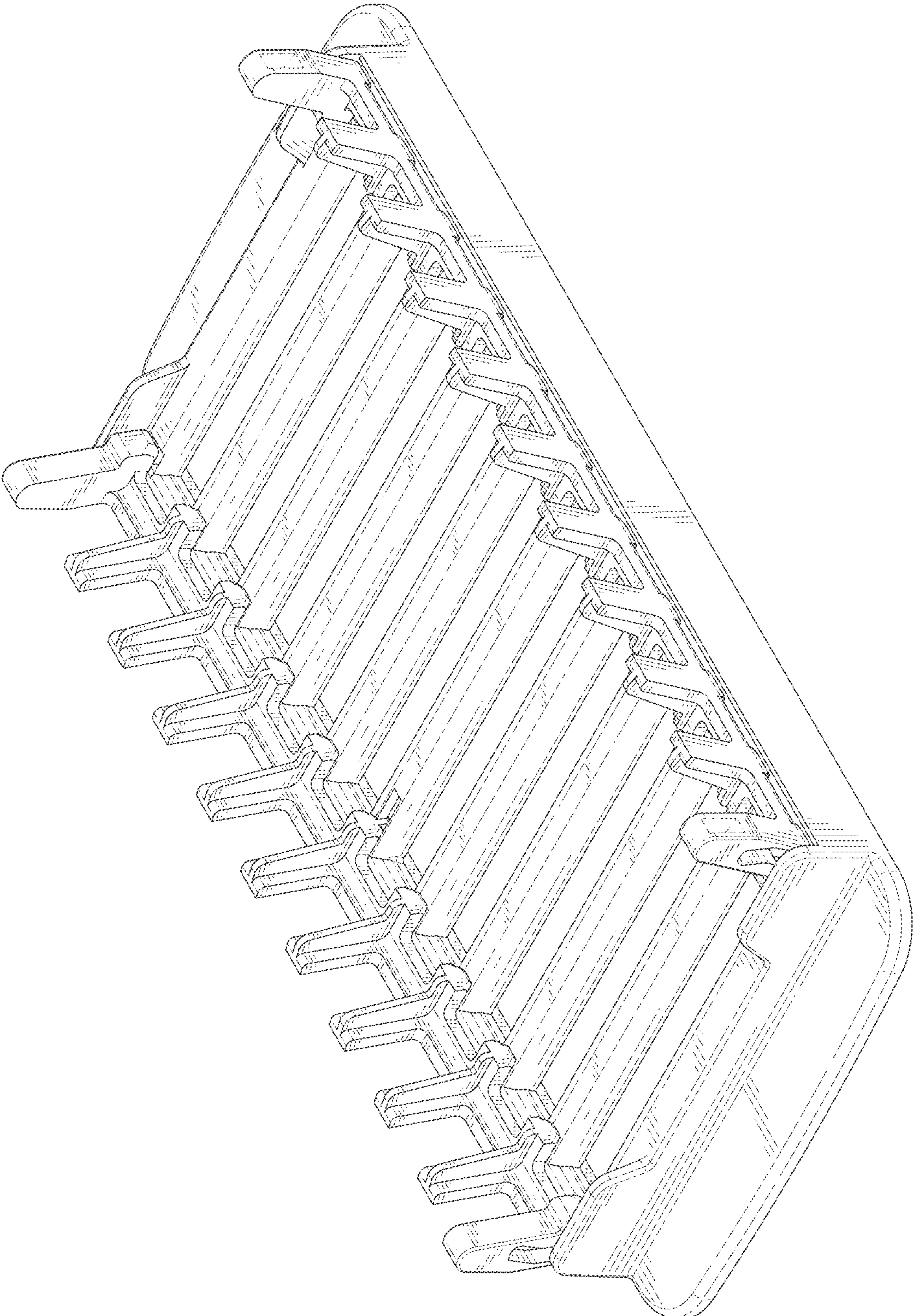


FIG. 1

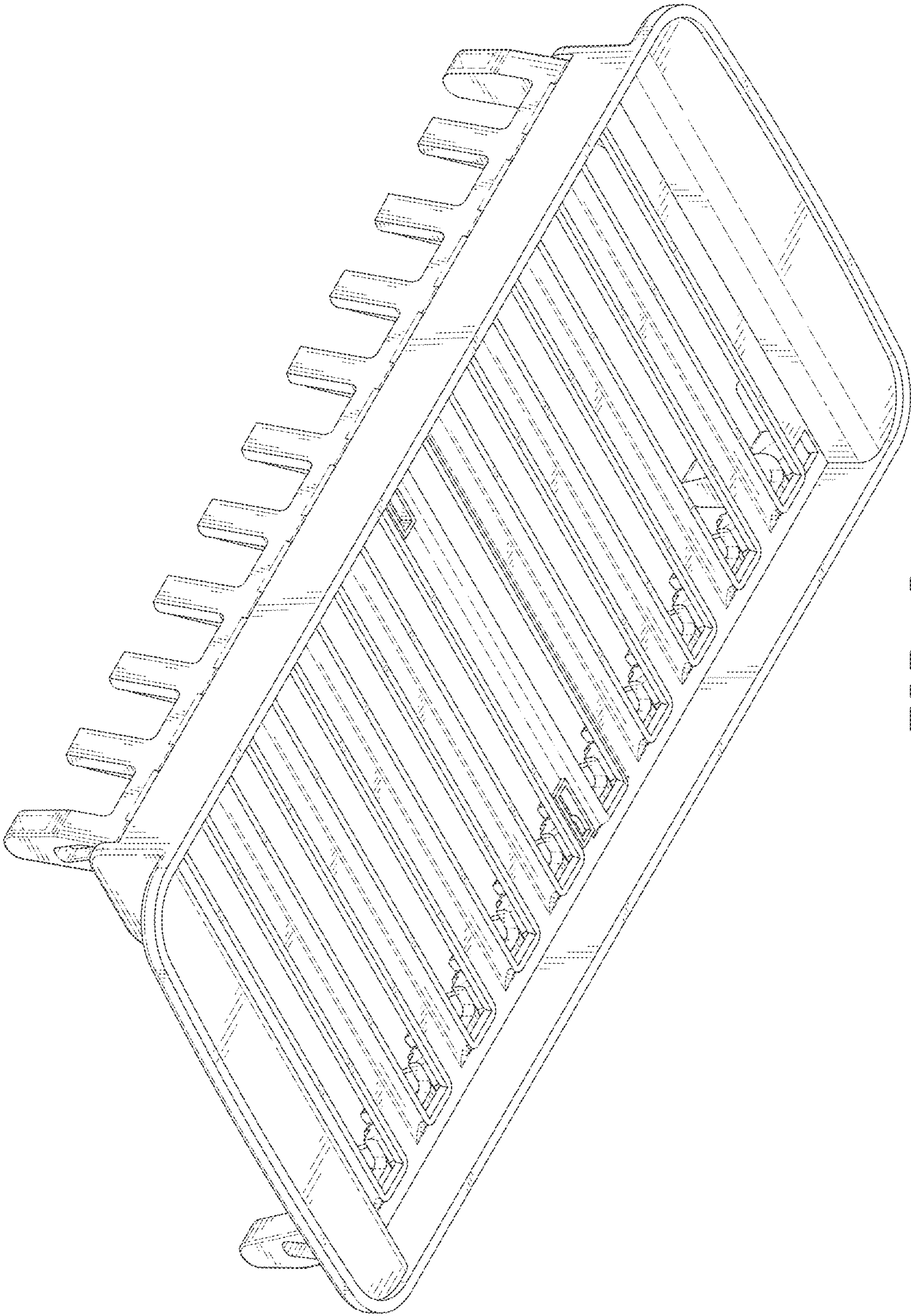


FIG. 2

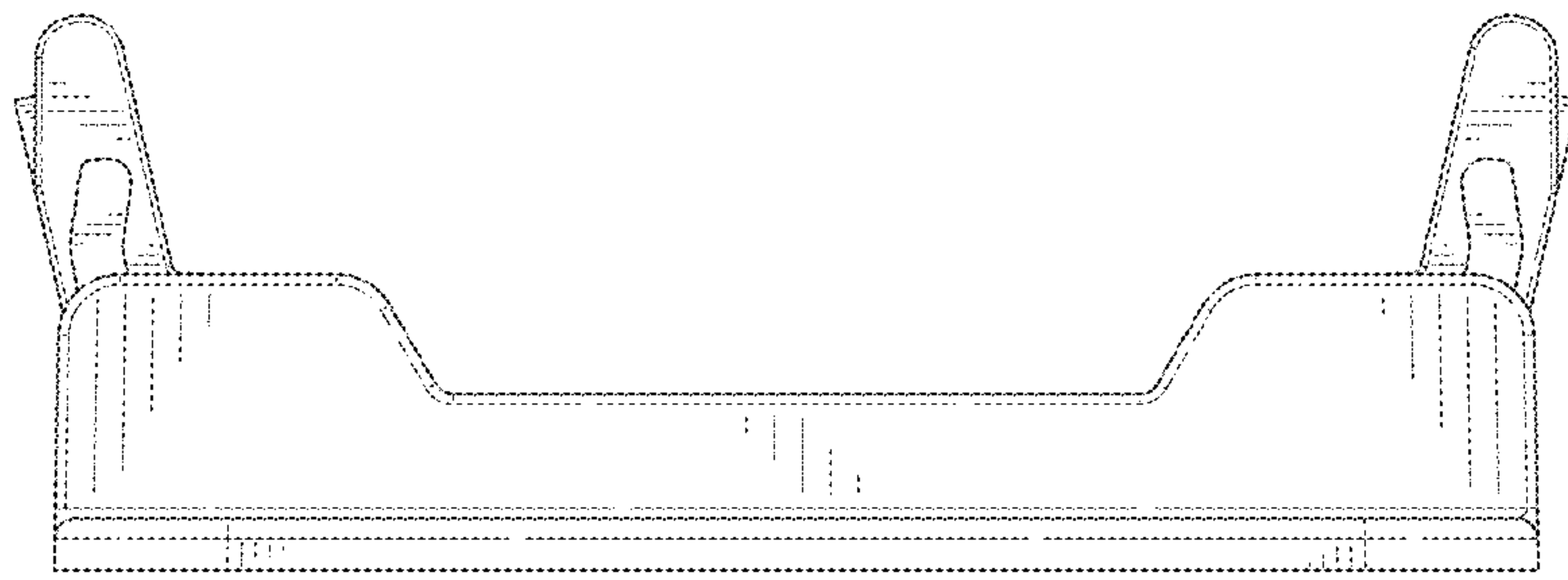


FIG. 3

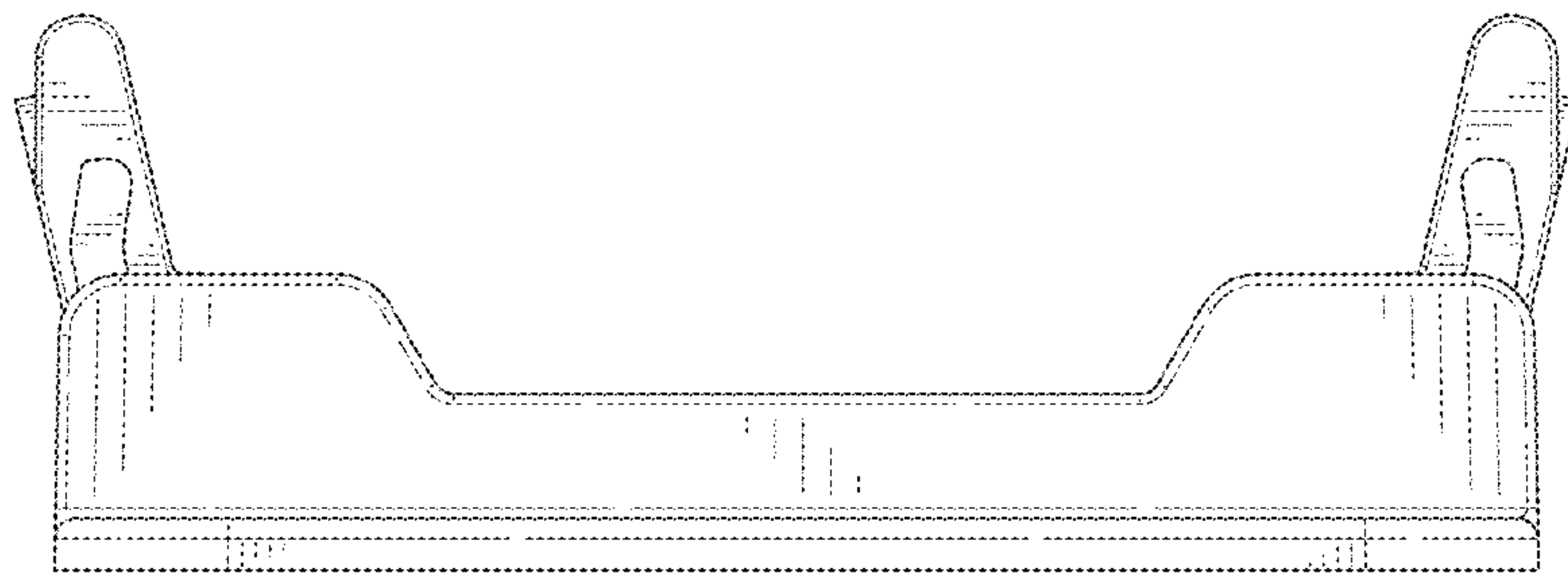


FIG. 4

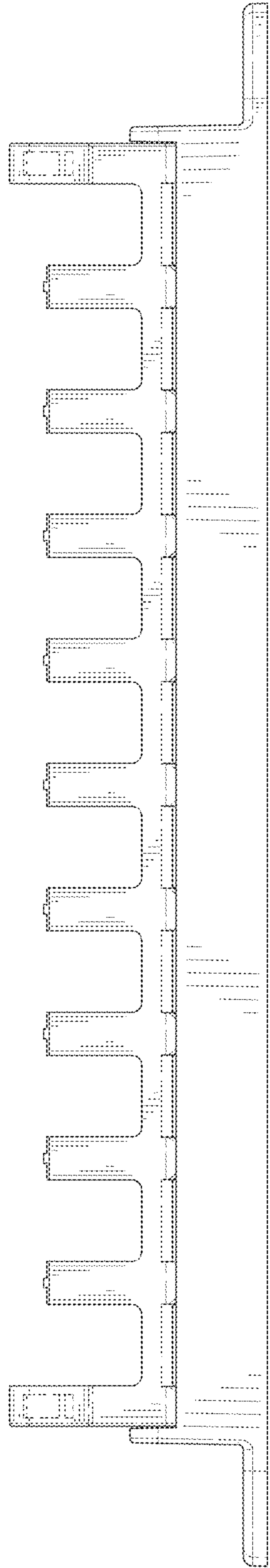


FIG. 5

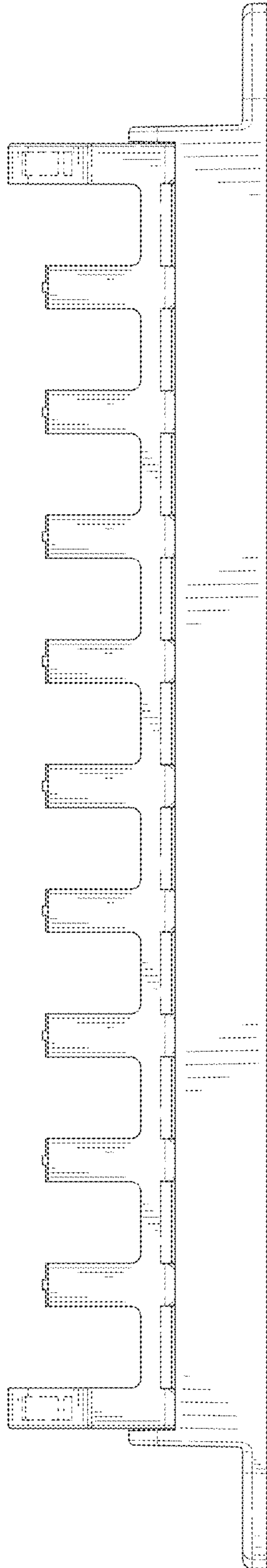


FIG. 6

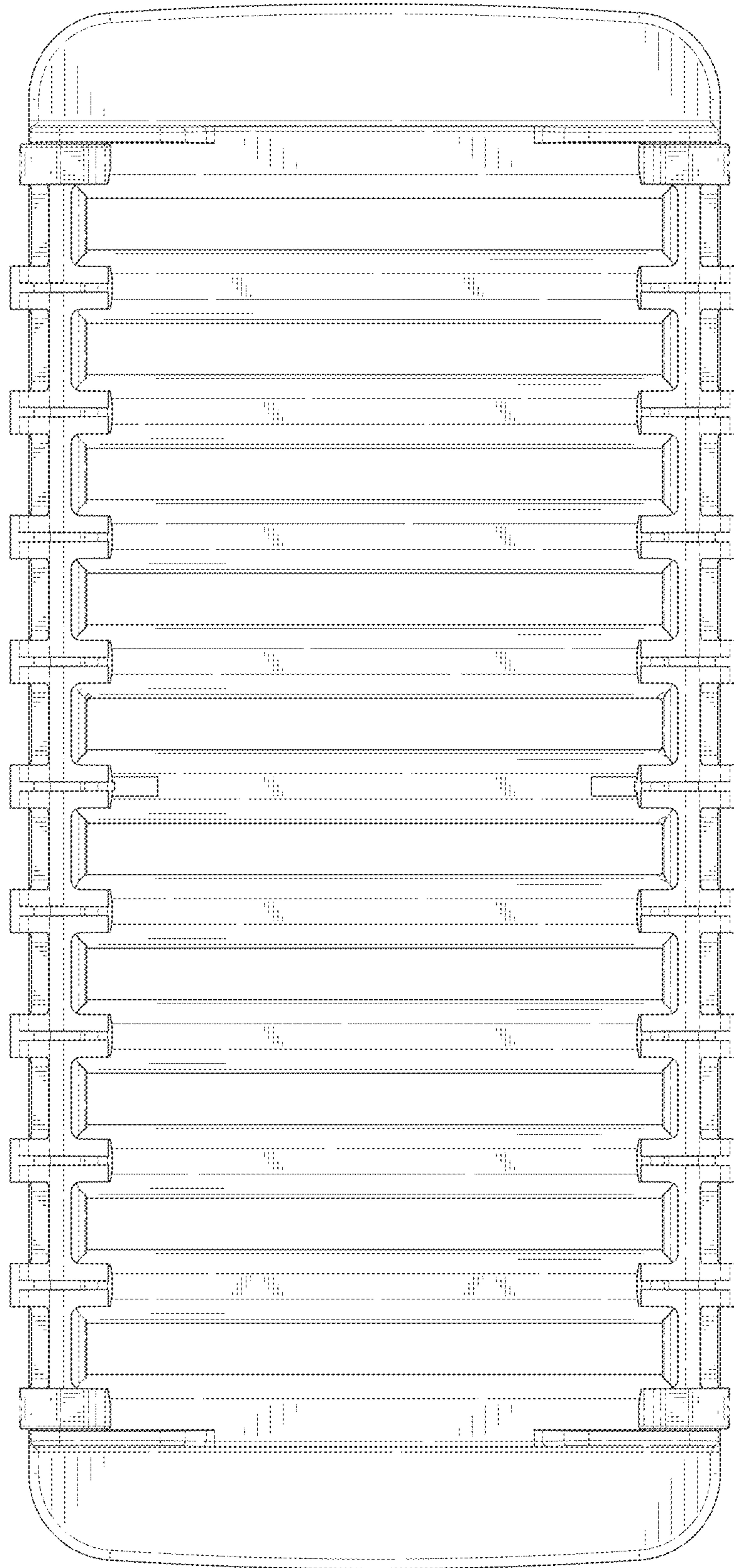


FIG. 7

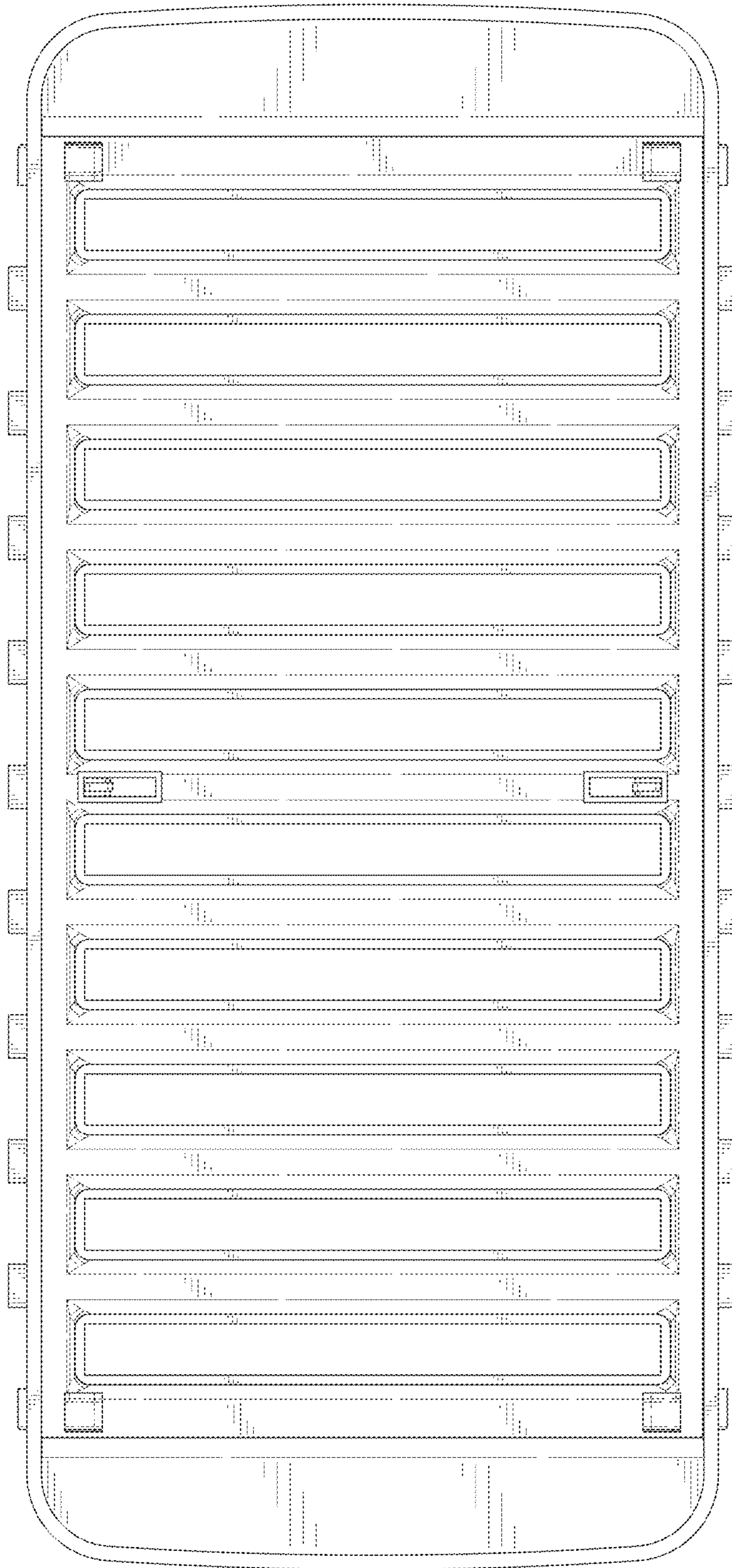


FIG. 8