



US00D970841S

(12) **United States Design Patent**  
**Hu**

(10) **Patent No.:** **US D970,841 S**

(45) **Date of Patent:** **\*\* Nov. 22, 2022**

(54) **DISH RACK**

(71) Applicant: **Zhenjiang Hu**, Yongkang (CN)

(72) Inventor: **Zhenjiang Hu**, Yongkang (CN)

(\*\*) Term: **15 Years**

(21) Appl. No.: **29/819,882**

(22) Filed: **Dec. 17, 2021**

(51) **LOC (13) Cl.** ..... **07-05**

(52) **U.S. Cl.**  
USPC ..... **D32/55**

(58) **Field of Classification Search**  
USPC ..... D32/55-59; D30/133; D6/525  
CPC ..... A47L 19/00; A47L 19/02; A47L 17/00;  
A47L 17/04; A47J 47/20; A47J 2201/00;  
A47J 47/00; B65D 35/02  
See application file for complete search history.

(56) **References Cited**

**U.S. PATENT DOCUMENTS**

D559,491 S	*	1/2008	Yang	.....	D32/55
D581,619 S	*	11/2008	Yang	.....	D32/55
D599,067 S	*	8/2009	Yang	.....	D32/55
D599,068 S	*	8/2009	Yang	.....	D32/55
D647,678 S	*	10/2011	Yang	.....	D32/55
D693,081 S	*	11/2013	Yang	.....	D32/55
D695,482 S	*	12/2013	Huang	.....	D32/55
D776,385 S	*	1/2017	Evans	.....	D32/55
D776,387 S	*	1/2017	Chen	.....	D32/56
D799,133 S	*	10/2017	Wong	.....	D32/55
D819,289 S	*	5/2018	Umholtz	.....	D32/55
D822,929 S	*	7/2018	Kim	.....	D32/55
D871,703 S	*	12/2019	Huang	.....	D32/55
D874,775 S	*	2/2020	Xie	.....	
D887,098 S	*	6/2020	Li	.....	D32/55

D914,312 S	*	3/2021	Cheng	.....	D32/55
D915,707 S	*	4/2021	Li	.....	D32/55
D921,316 S	*	6/2021	Zhou	.....	D32/55
D921,318 S	*	6/2021	Ling	.....	D32/55
D921,319 S	*	6/2021	Xie	.....	D32/55
D925,852 S	*	7/2021	XiangZe	.....	D32/55
D938,685 S	*	12/2021	Nieman	.....	D32/55
D939,167 S	*	12/2021	Fan	.....	D32/55
2016/0249783 A1	*	9/2016	Oh	.....	A47L 19/04 211/41.4

**FOREIGN PATENT DOCUMENTS**

CN 307177647 \* 3/2022

\* cited by examiner

*Primary Examiner* — Kevin K Rudzinski

*Assistant Examiner* — Richard E Yenchesky

(74) *Attorney, Agent, or Firm* — Justin Lampel

(57) **CLAIM**

The ornamental design for a dish rack, as shown and described.

**DESCRIPTION**

FIG. 1 is a top, front and left perspective view of a dish rack showing my new design;

FIG. 2 is a top plan view thereof;

FIG. 3 is a rear elevational view thereof;

FIG. 4 is a left side view thereof;

FIG. 5 is a front elevational view thereof;

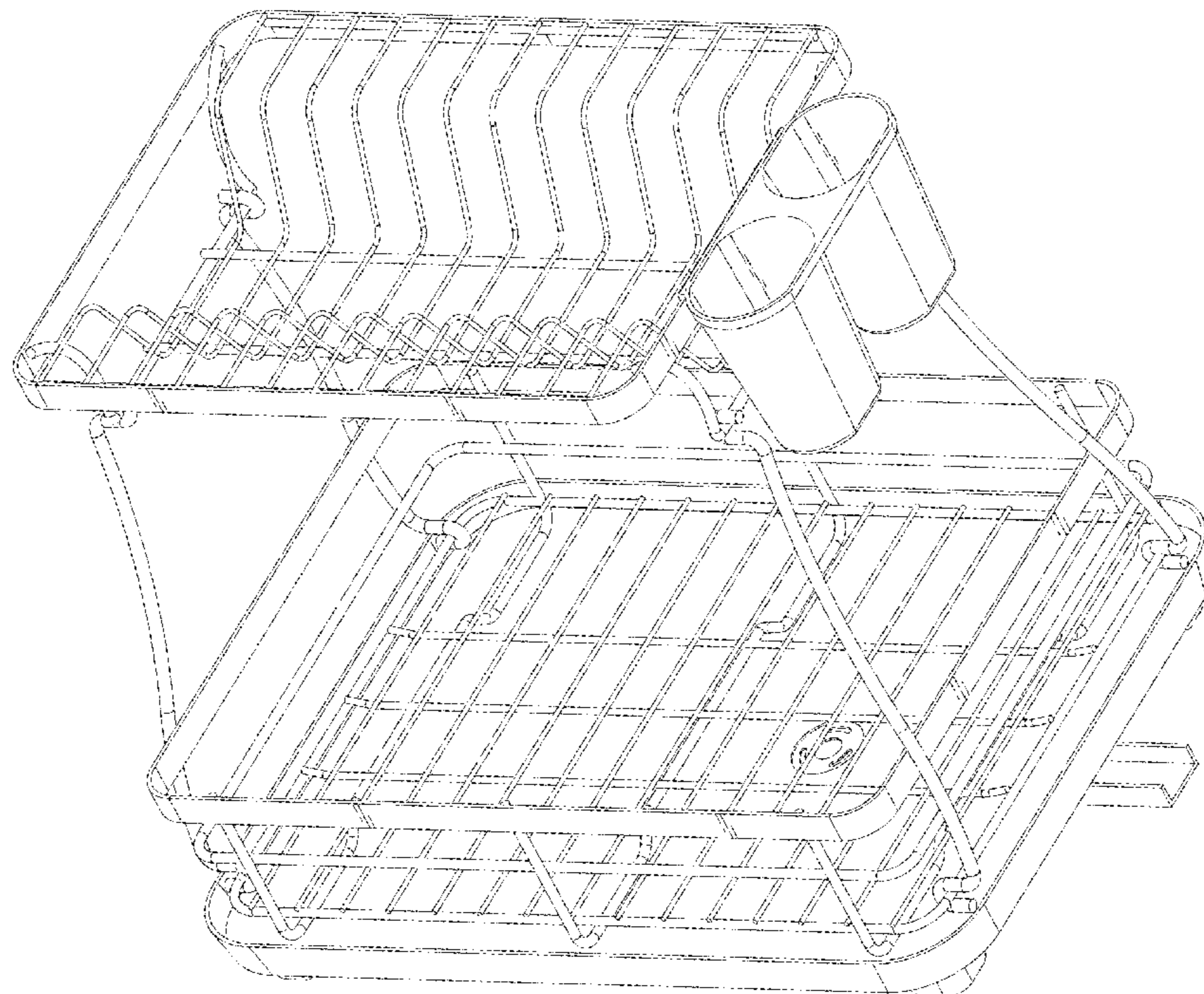
FIG. 6 is a right side view thereof;

FIG. 7 is a bottom plan view thereof; and,

FIG. 8 is another perspective view thereof; showing the front, bottom and the left side.

The broken lines depict portions of the dish rack that form no part of the claimed design.

**1 Claim, 8 Drawing Sheets**



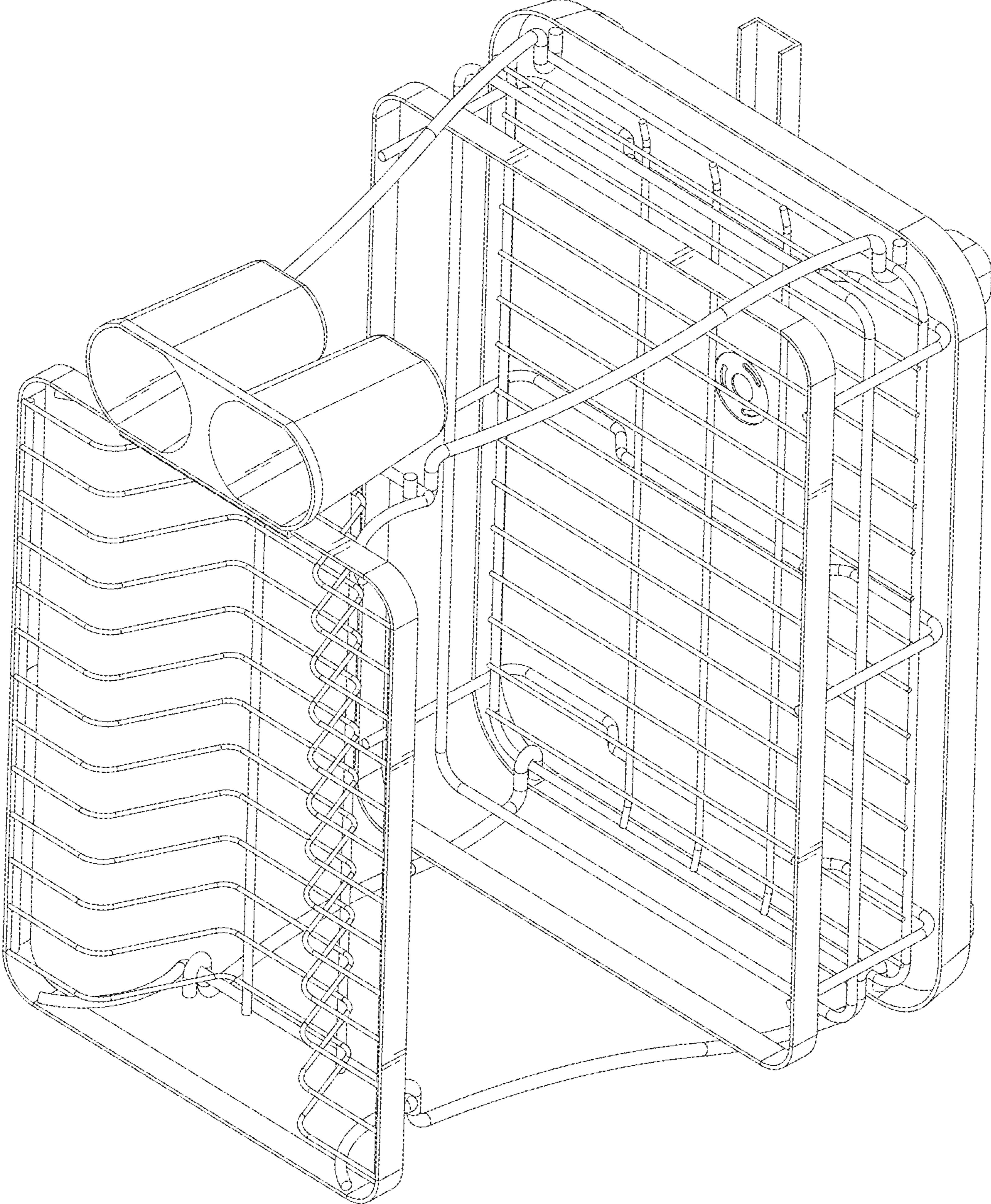


FIG. 1

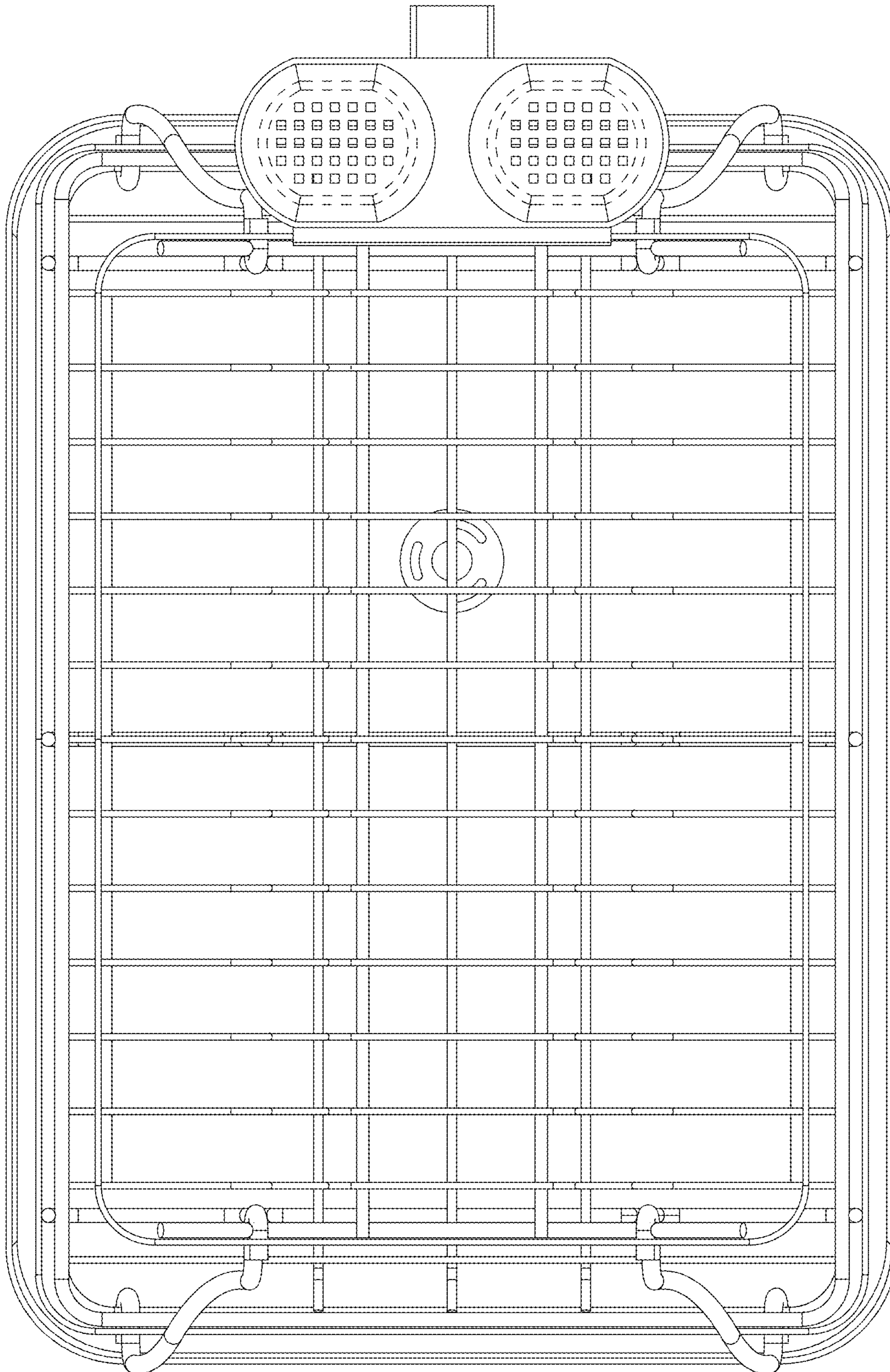


FIG. 2

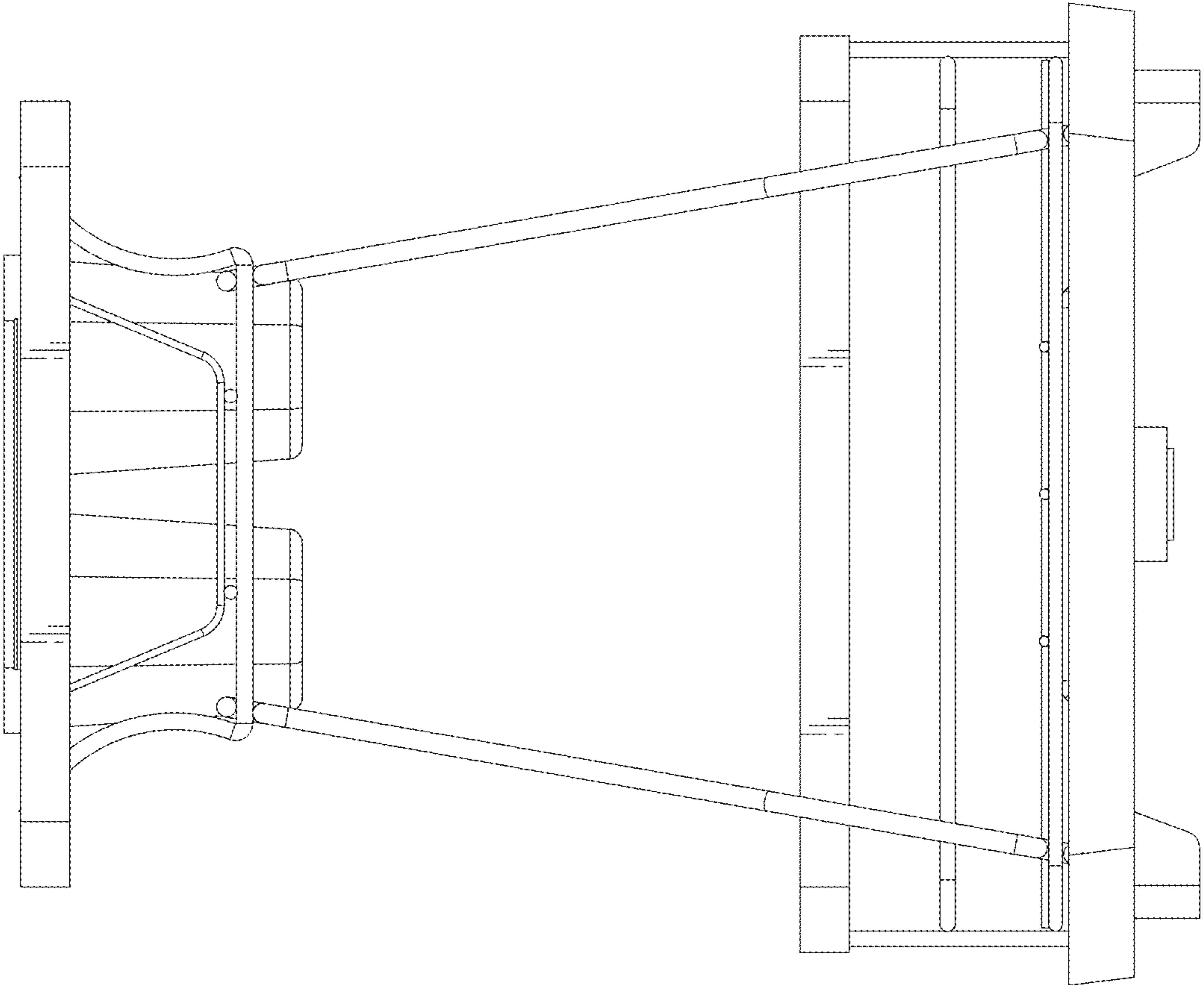


FIG. 3

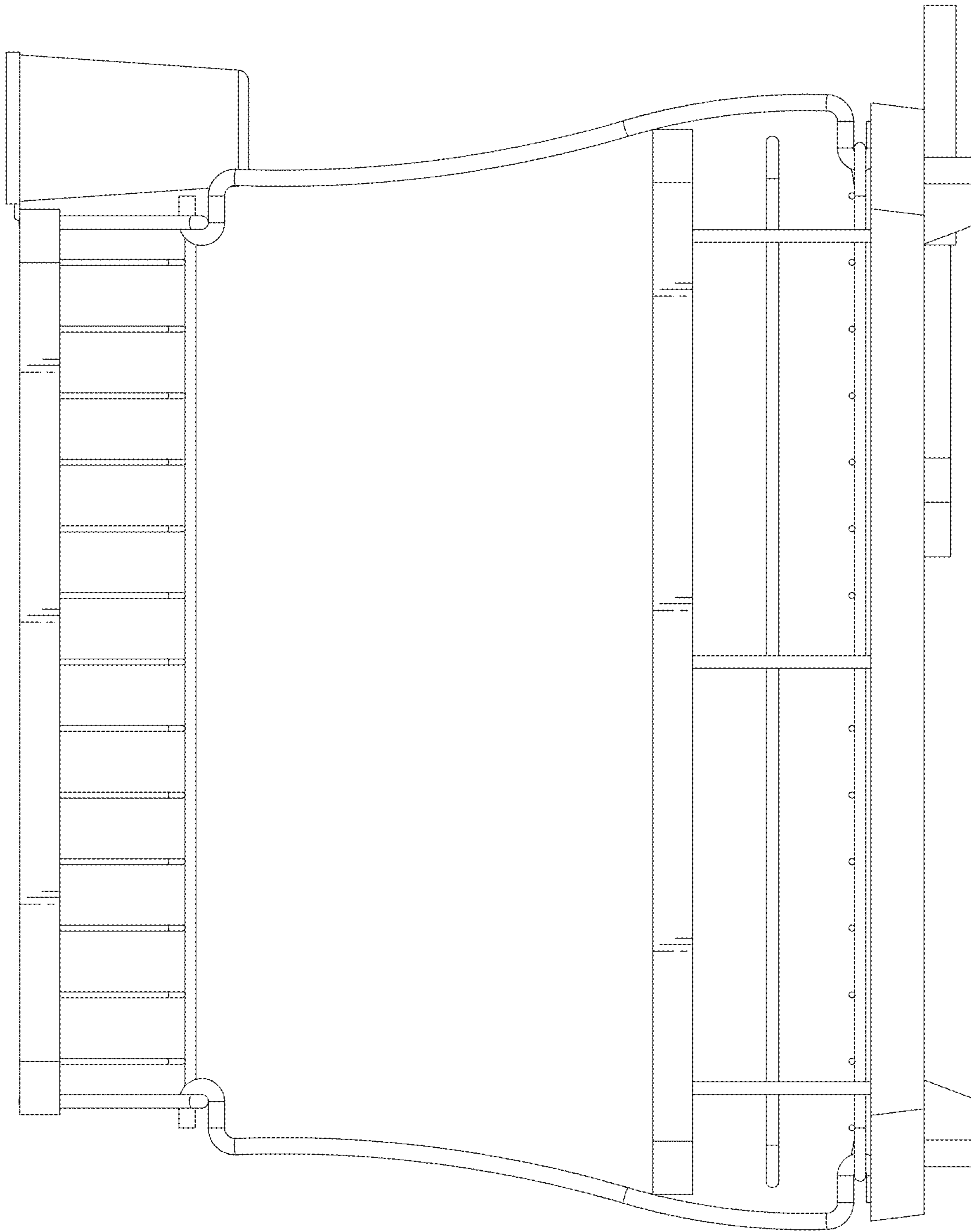


FIG. 4

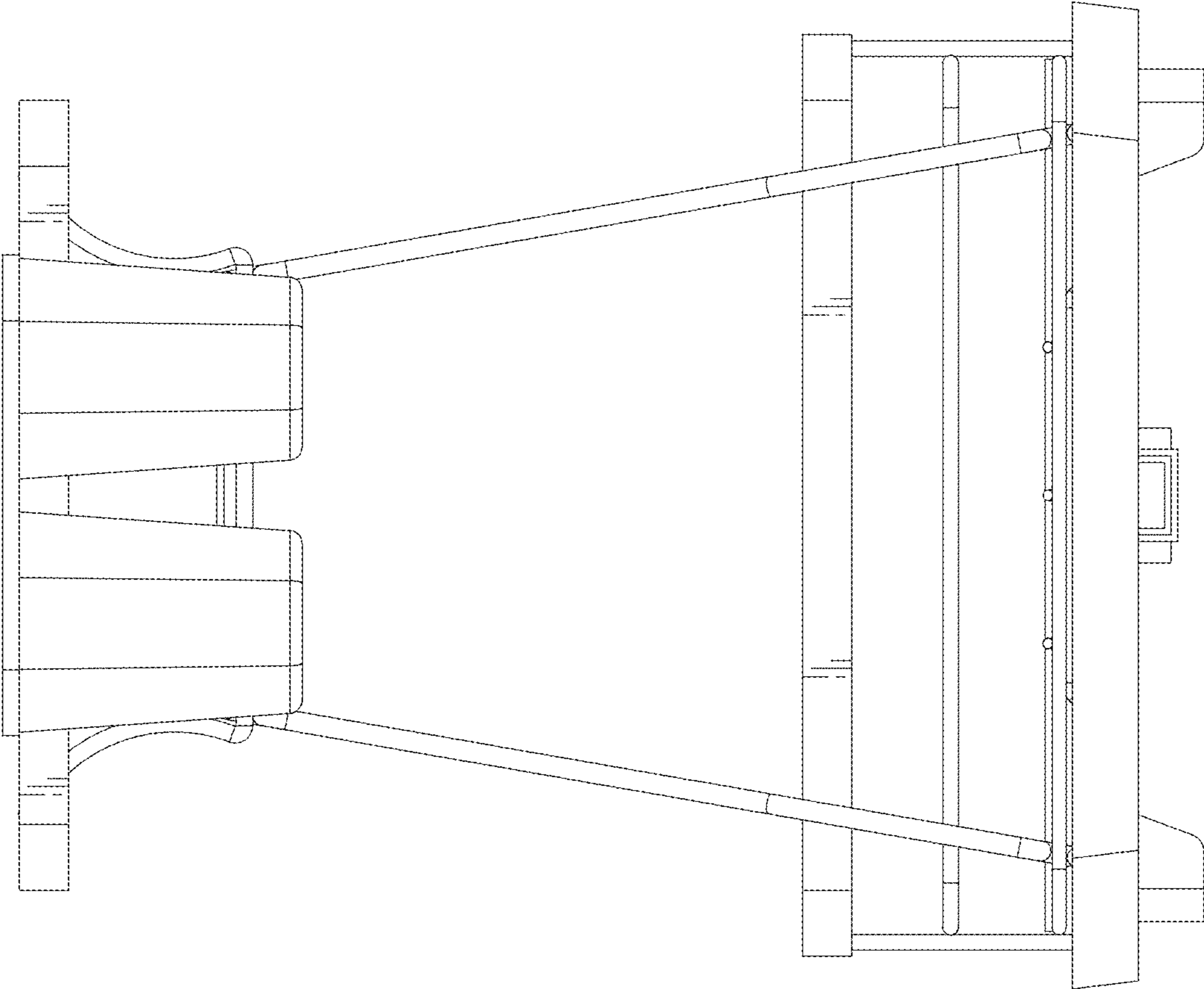


FIG. 5

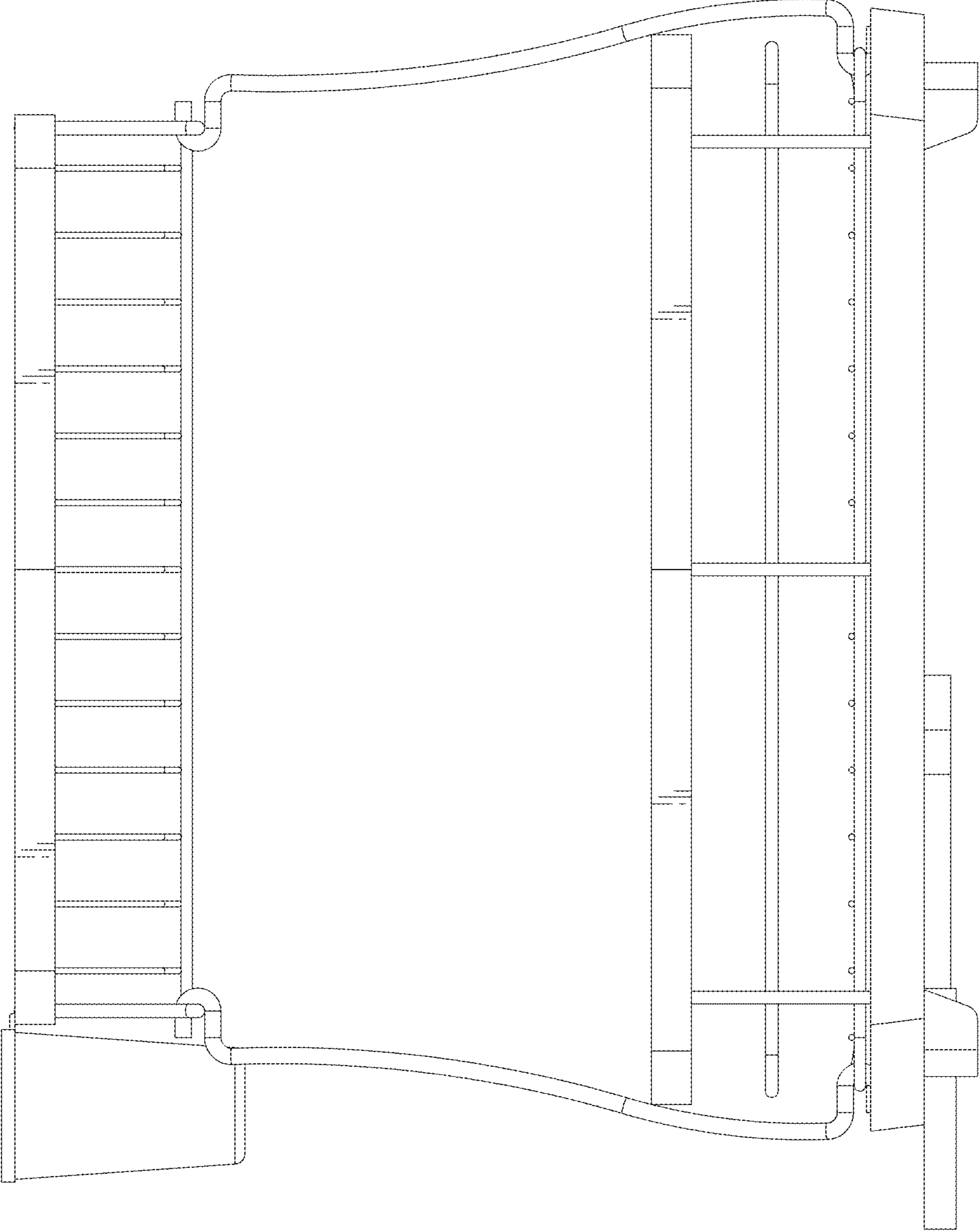


FIG. 6

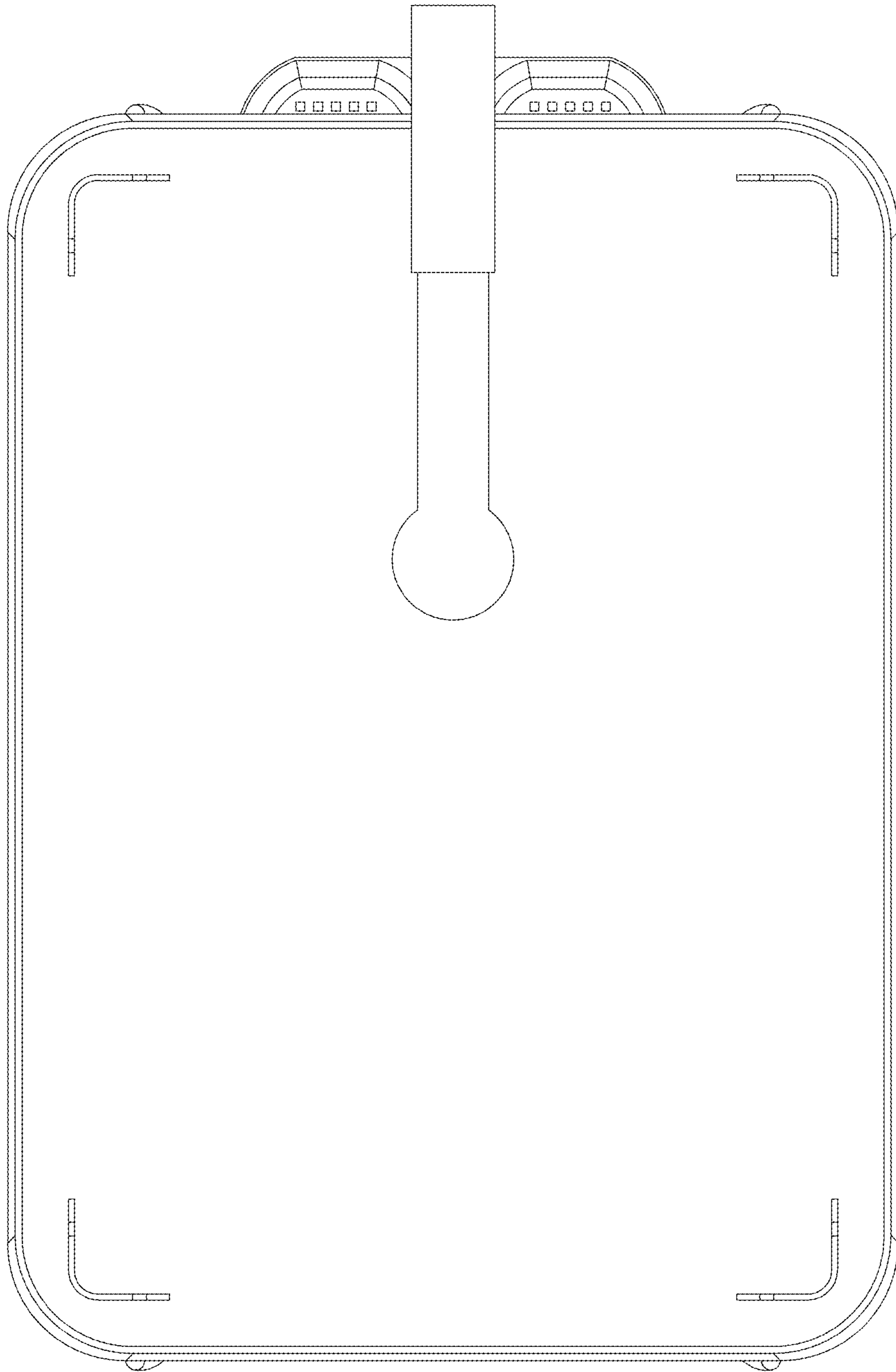


FIG. 7



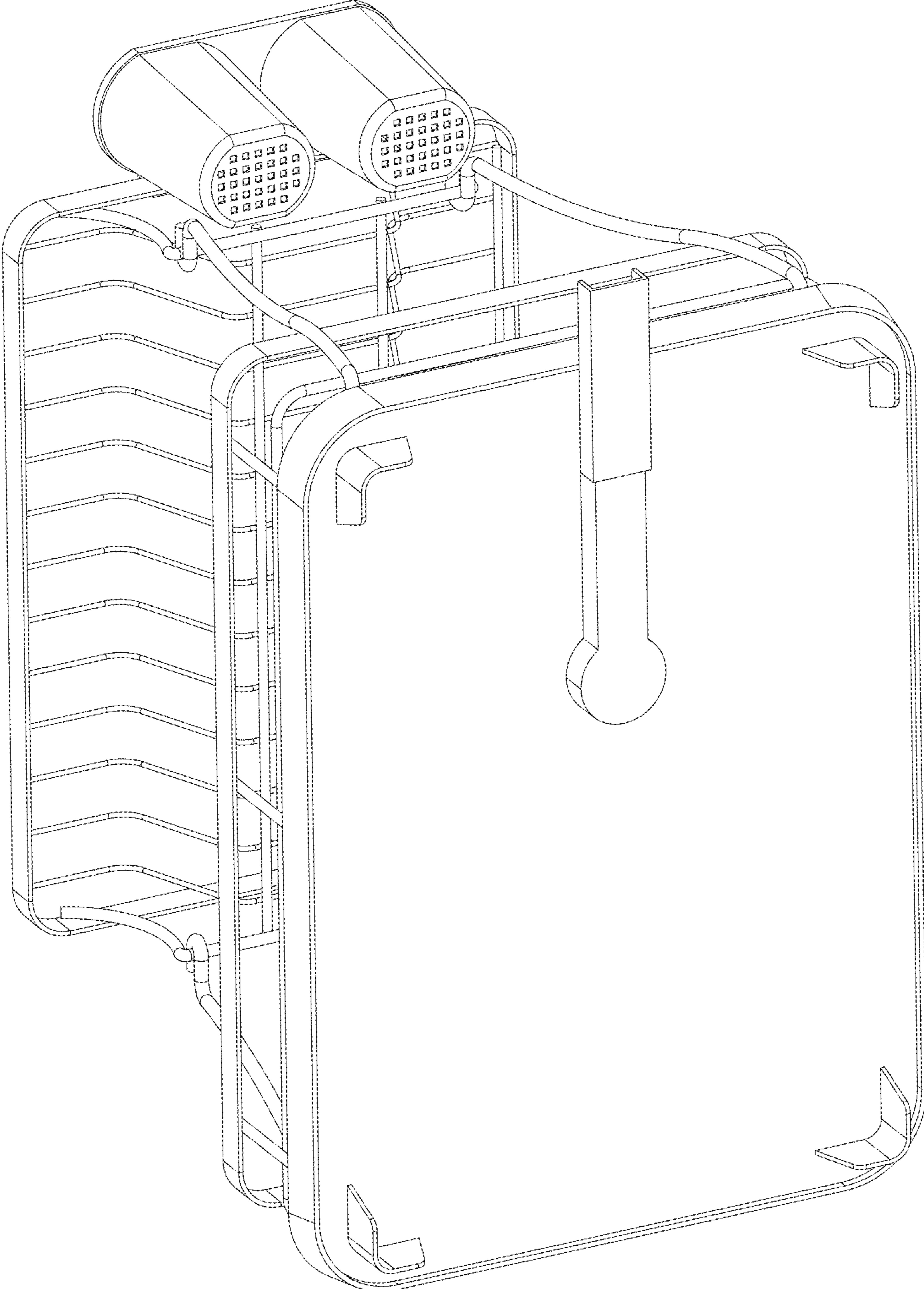


FIG. 8