



US00D970839S

(12) **United States Design Patent**
Wang

(10) **Patent No.:** **US D970,839 S**

(45) **Date of Patent:** **** Nov. 22, 2022**

(54) **COMBINED BROOM AND DUSTPAN**

(71) Applicant: **Ningbo Xifan Trading Co., Ltd.**,
Zhejiang (CN)

(72) Inventor: **Zhenzhen Wang**, Zhejiang (CN)

(73) Assignee: **Ningbo Xifan Trading Co., Ltd.**,
Zhejiang (CN)

(**) Term: **15 Years**

(21) Appl. No.: **29/817,970**

(22) Filed: **Dec. 6, 2021**

(51) **LOC (13) Cl.** **07-05**

(52) **U.S. Cl.**
USPC **D32/42; D32/74; D4/116**

(58) **Field of Classification Search**
USPC **D32/35, 38, 39, 40, 42, 49, 50, 52, 74;**
D4/116

(Continued)

(56) **References Cited**

U.S. PATENT DOCUMENTS

D145,887 S * 11/1946 Fox D32/74
D180,209 S * 4/1957 Tupper D32/74

(Continued)

FOREIGN PATENT DOCUMENTS

CN 306867710 * 10/2021

OTHER PUBLICATIONS

RIG-TIG 1-Piece Sweep-It Dustpan Broom, available in www.amazon.de, date first available Feb. 20, 2014 [online], [site visited Sep. 30, 2022], Available from the internet URL: <https://www.amazon.de/-/en/RIG-TIG-1-Piece-Sweep-It-Dustpan-Broom/dp/B00I5KSZ00> (Year: 2014).*

(Continued)

Primary Examiner — Jennifer Rivard
Assistant Examiner — Jennylou M Binas
(74) *Attorney, Agent, or Firm* — ScienBiziP, P.C.

(57) **CLAIM**

The ornamental design for a combined broom and dustpan, as shown and described.

DESCRIPTION

FIG. 1 is a front, right, and top perspective view of a dustpan of a combined broom and dustpan as shown in FIG. 16, showing my design.

FIG. 2 is a rear, right, and bottom perspective view of the dustpan of FIG. 1.

FIG. 3 is a front elevation view of the dustpan of FIG. 1.

FIG. 4 is a rear elevation view of the dustpan of FIG. 1.

FIG. 5 is a left side elevation view of the dustpan of FIG. 1.

FIG. 6 is a right side elevation view of the dustpan of FIG. 1.

FIG. 7 is a top plan view of the dustpan of FIG. 1.

FIG. 8 is a bottom plan view of the dustpan of FIG. 1.

FIG. 9 is a front, right, and top perspective view of a broom of the combined broom and dustpan as shown in FIG. 16.

FIG. 10 is a front elevation view of the broom of FIG. 9.

FIG. 11 is a rear elevation view of the broom of FIG. 9.

FIG. 12 is a left side elevation view of the broom of FIG. 9.

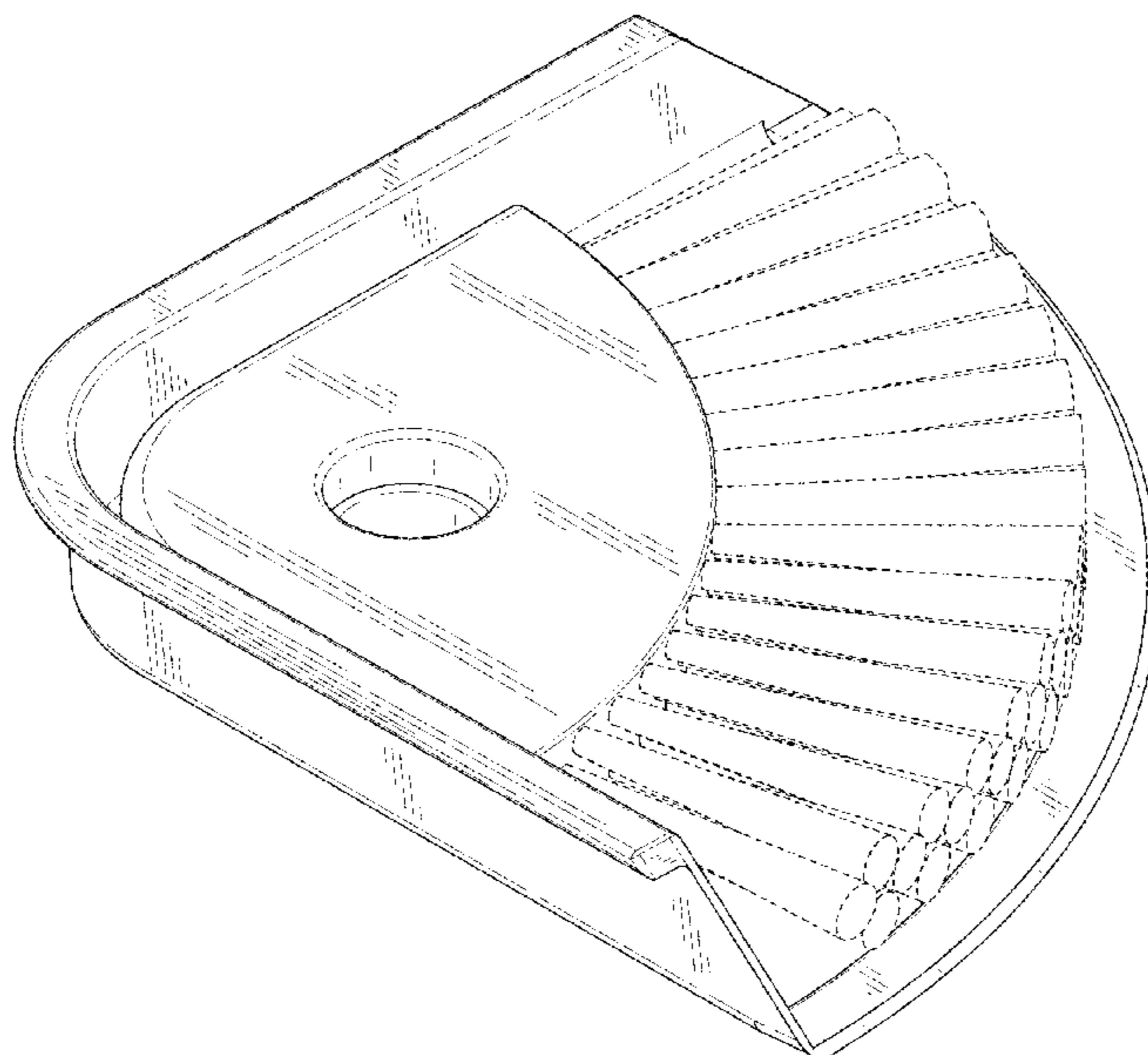
FIG. 13 is a right side elevation view of the broom of FIG. 9.

FIG. 14 is a top plan view of the broom of FIG. 9.

FIG. 15 is a bottom plan view of the broom of FIG. 9; and, FIG. 16 is a front, right, and top perspective view of the combined broom and dustpan.

The broken lines shown in the drawings are included for the purpose of illustrating portions of the combined broom and dustpan that form no part of the claimed design.

1 Claim, 16 Drawing Sheets



(58) **Field of Classification Search**

CPC A46B 3/18; A46B 5/0016; A46B 5/0062;
 A46B 5/00; A46B 5/02; A46B 9/005;
 A46B 9/02; A46B 2200/302; A46B
 2200/405

See application file for complete search history.

9,538,895 B1* 1/2017 Shippen A47L 13/52
 D786,520 S * 5/2017 Thoma D32/50
 2006/0277704 A1* 12/2006 Pineschi A47L 13/12
 15/115
 2007/0089259 A1* 4/2007 Jones A46B 15/00
 15/257.1
 2014/0251373 A1* 9/2014 Yan A46B 5/0075
 134/6

(56) **References Cited**

U.S. PATENT DOCUMENTS

D206,276 S * 11/1966 Parsisson D32/74
 3,761,990 A * 10/1973 Lynn A46B 9/02
 15/160
 D306,367 S * 2/1990 Vetter D32/74
 D394,928 S * 6/1998 Laib D32/42
 D433,571 S * 11/2000 Ancona D32/74
 D492,489 S * 7/2004 Hay D4/138
 D597,719 S 8/2009 McNeil et al.
 D634,910 S * 3/2011 Solbjerg D4/134
 D643,985 S * 8/2011 Dedrick D32/74
 D699,412 S 2/2014 Smith
 D759,925 S * 6/2016 Martens D32/50

OTHER PUBLICATIONS

MR.SIGA Dustpan and brush set, available in www.amazon.co.uk, date first available Apr. 9, 2016 [online], [site visited Sep. 30, 2022], Available from the internet URL: https://www.amazon.co.uk/dp/B01E189P1Q/ref=sspa_dk_detail_2 (Year: 2016).*

Xifando Mini Dustpan and Broom-Bamboo Handle Set, available in www.amazon.co.uk, date first available Dec. 17, 2021 [online], [site visited Sep. 30, 2022], Available from the internet URL https://www.amazon.co.uk/dp/B09NQSSH7N/ref=sspa_dk_detail_1 (Year: 2021).*

* cited by examiner

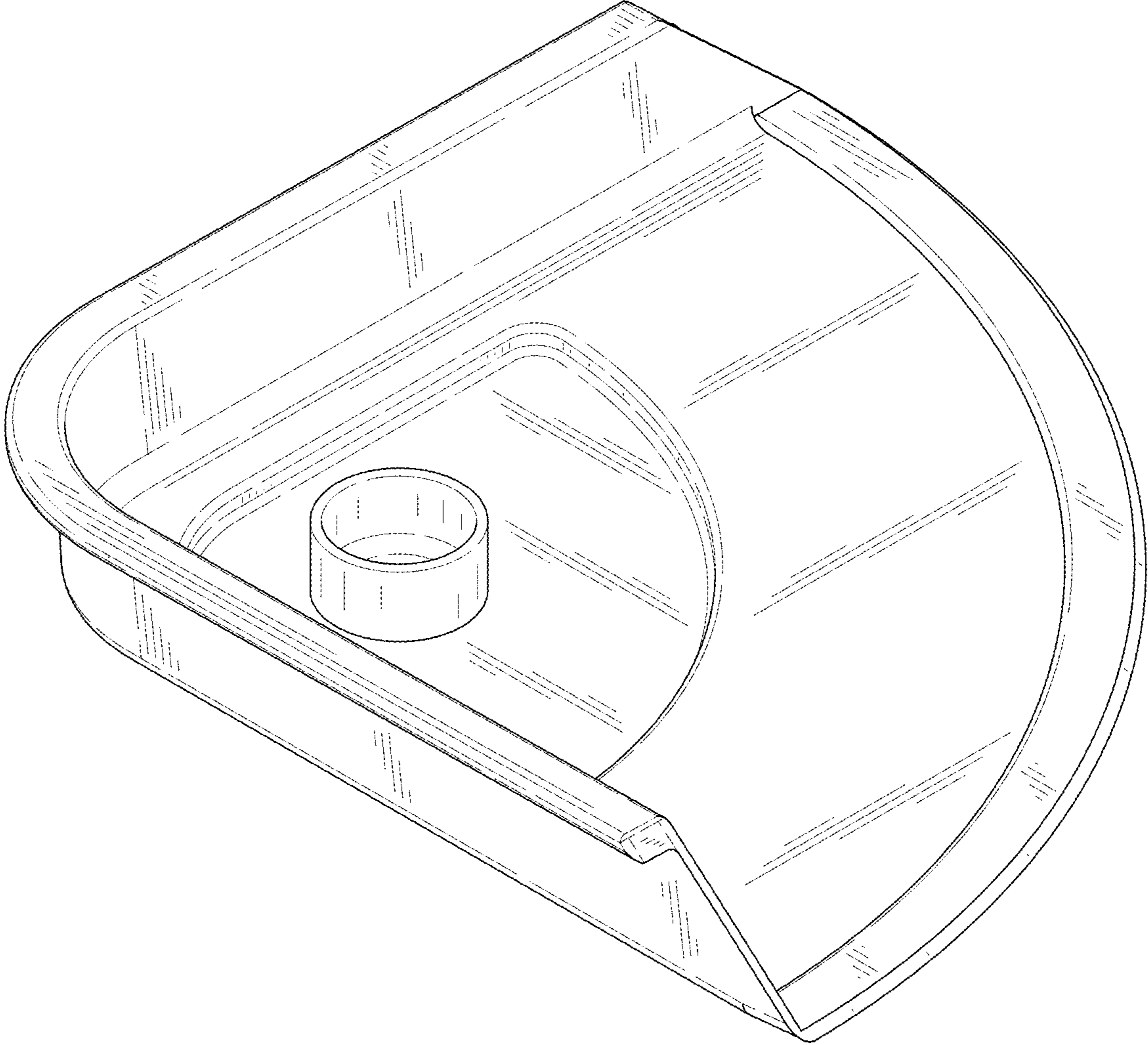


FIG. 1

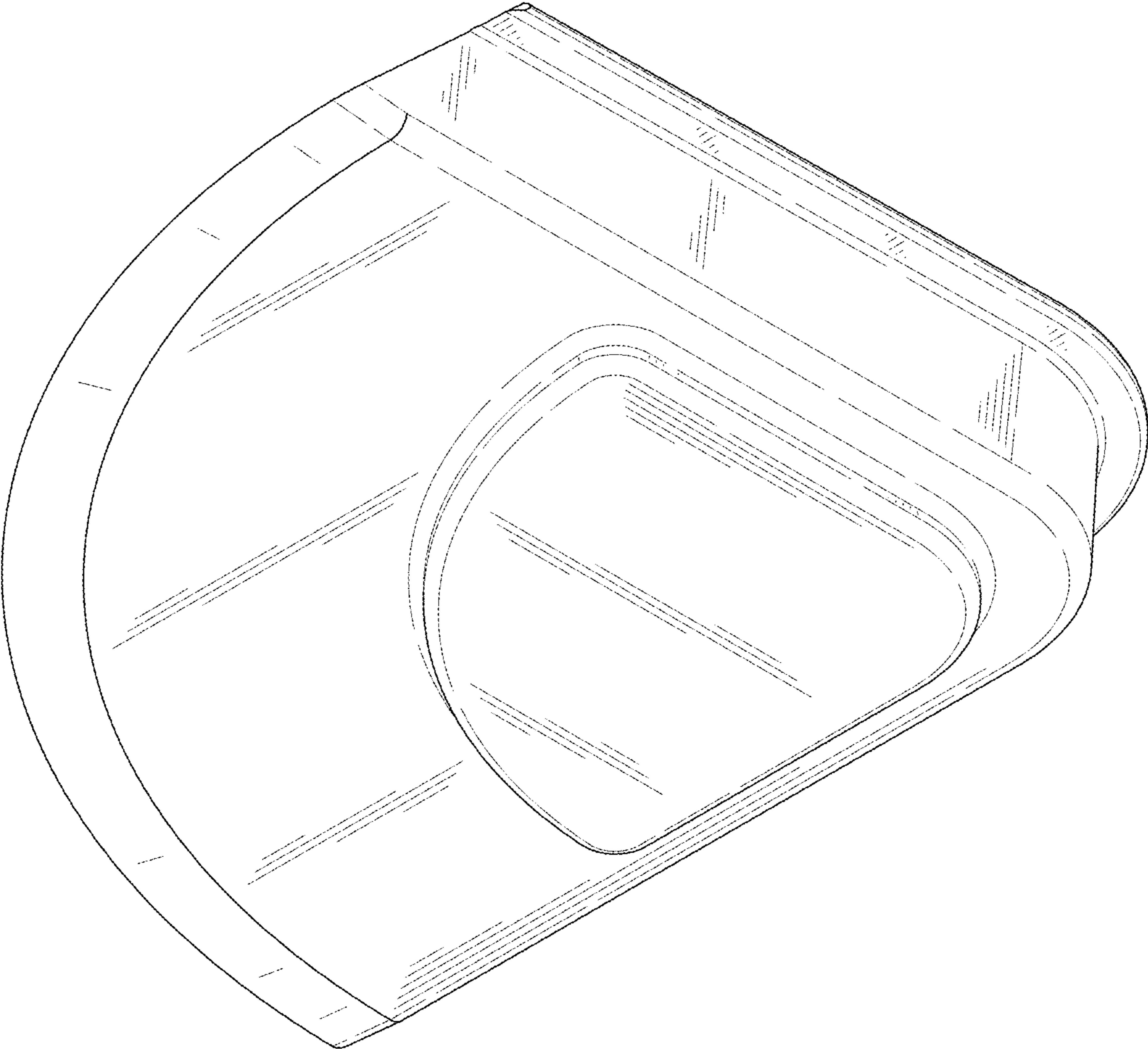


FIG. 2

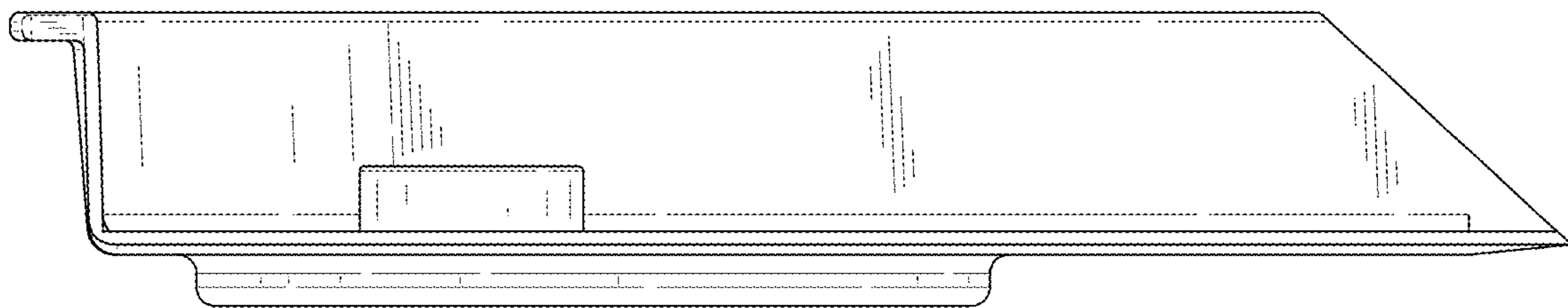


FIG. 3

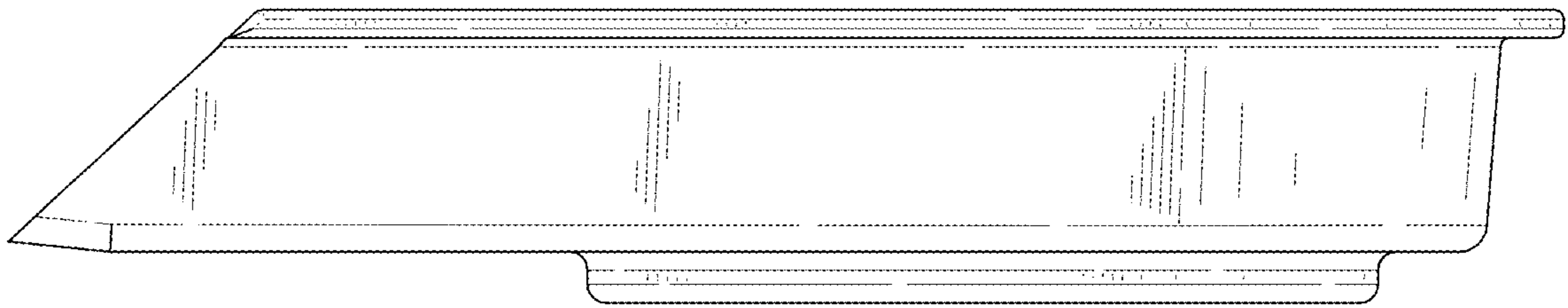


FIG. 4

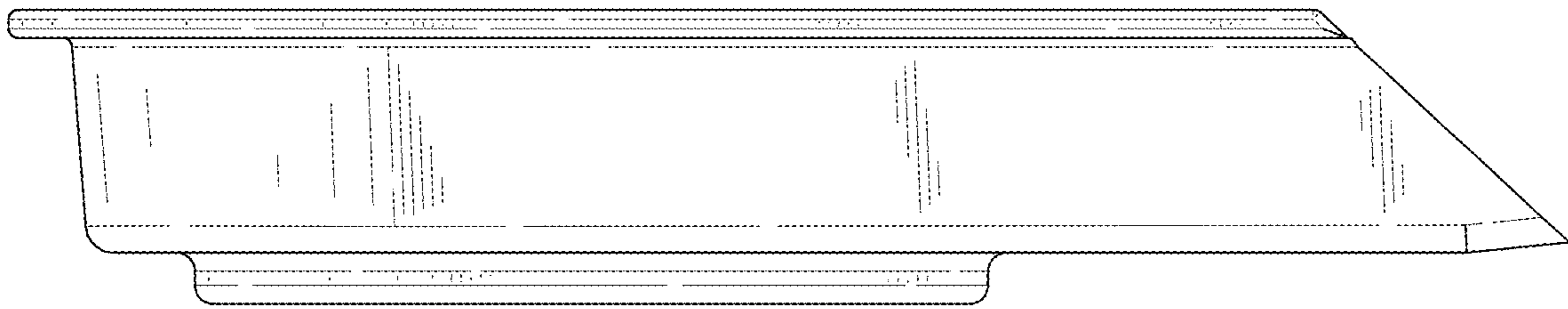


FIG. 5

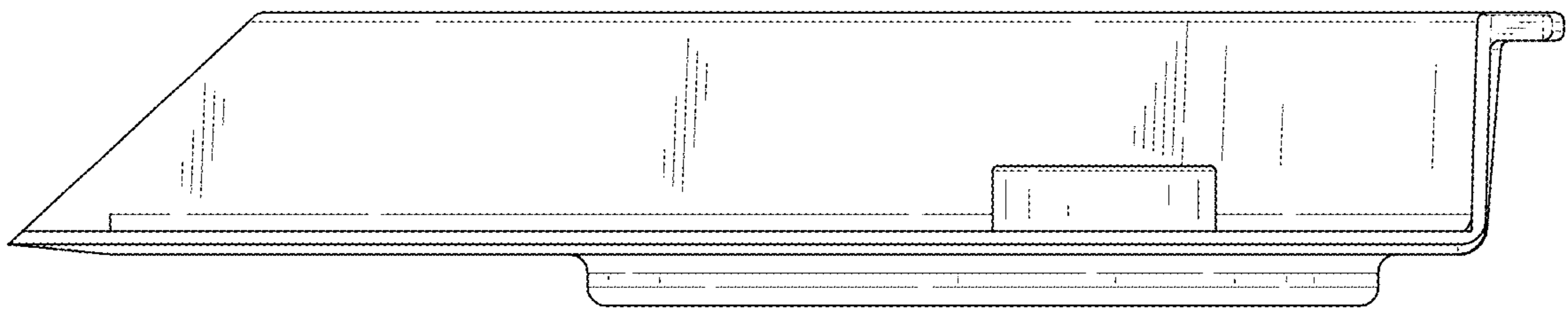


FIG. 6

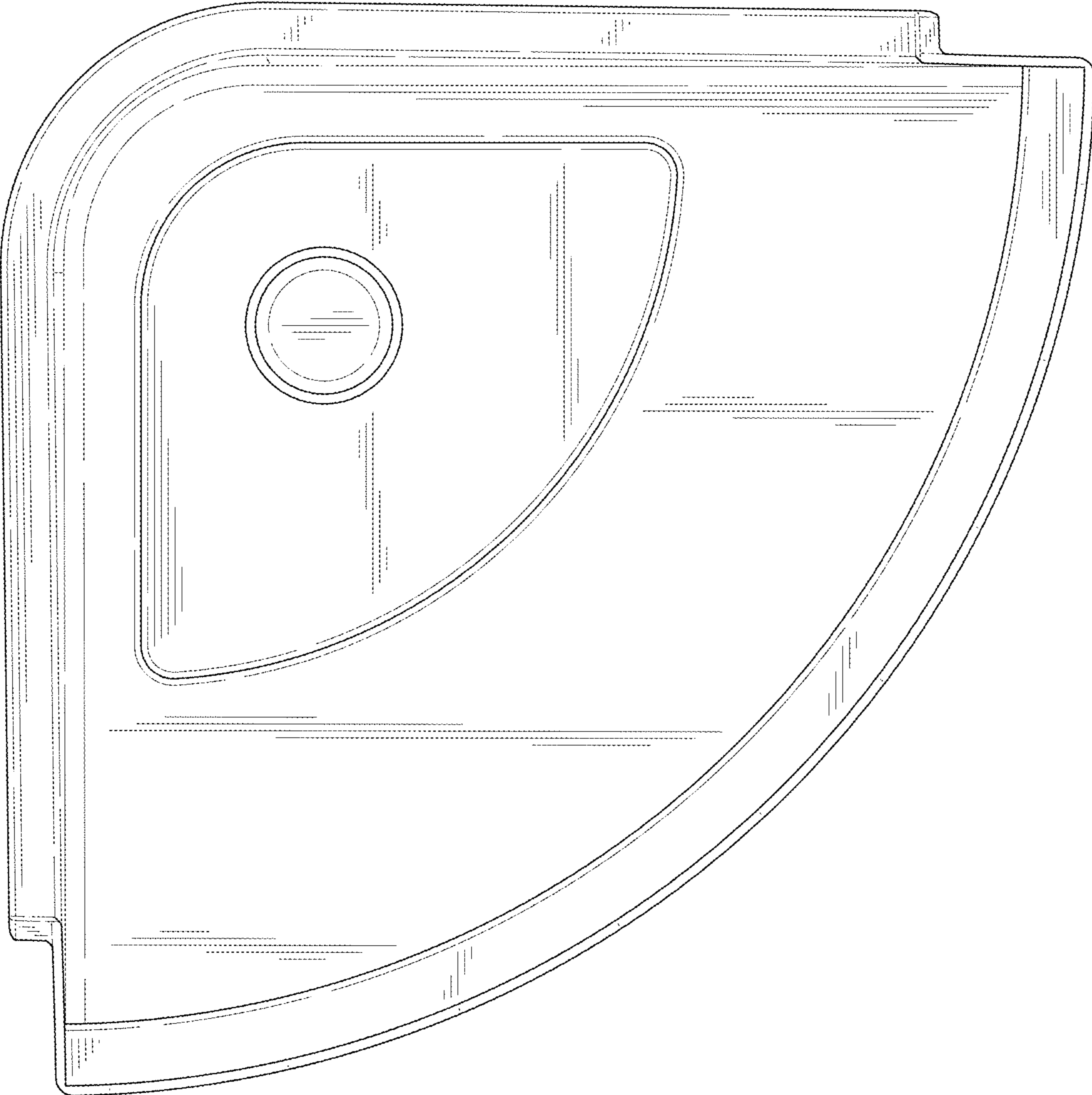


FIG. 7

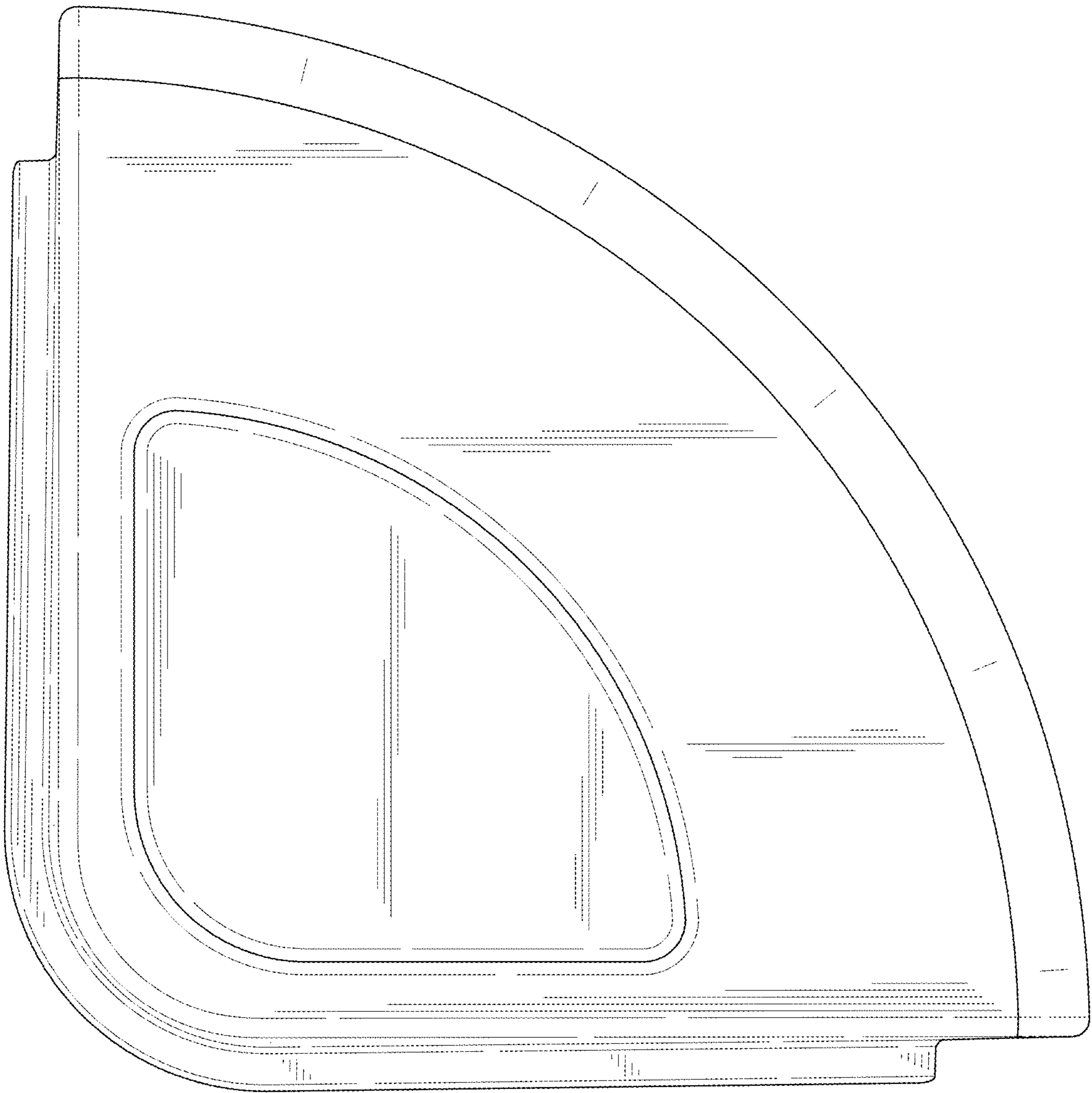


FIG. 8

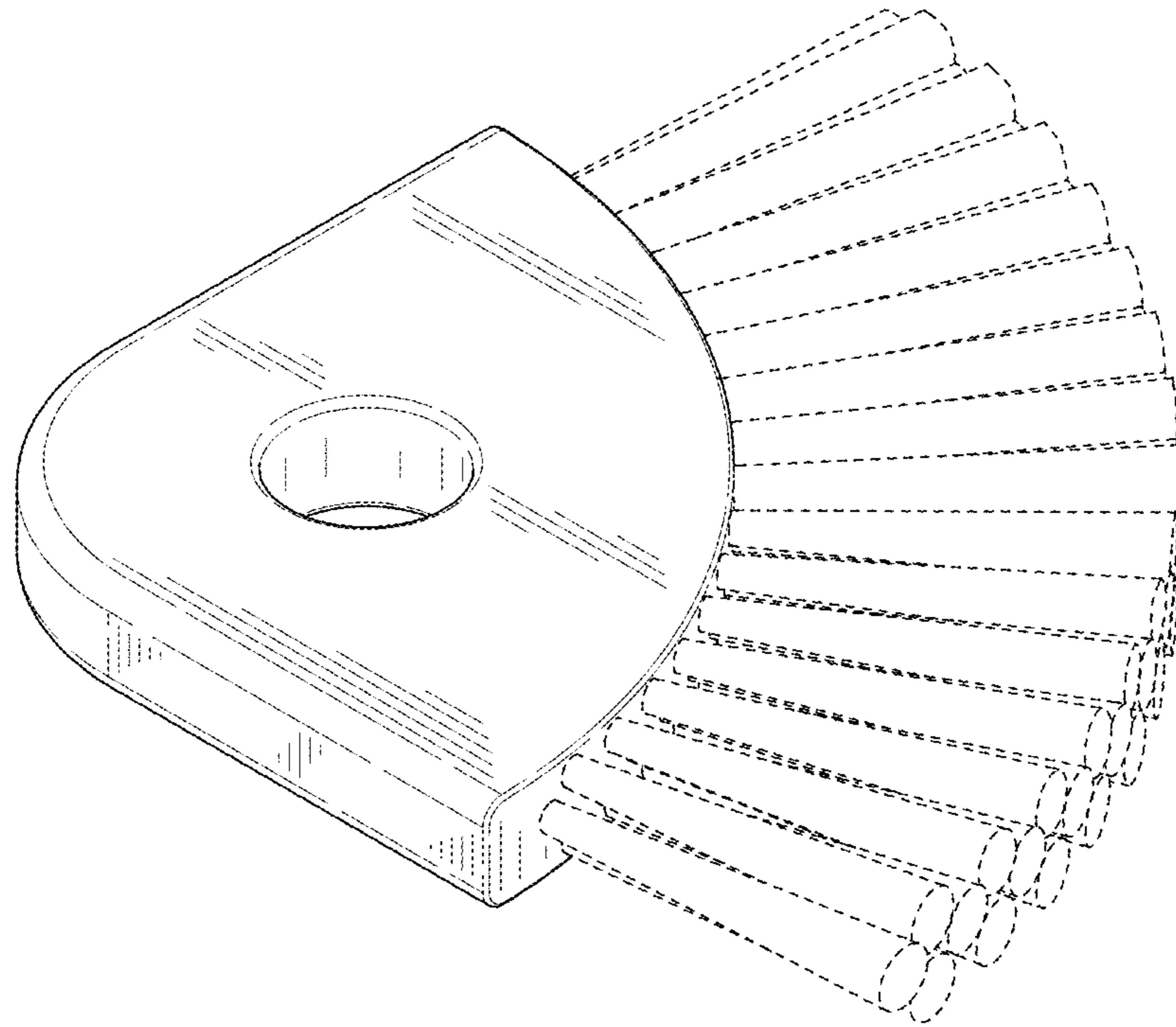


FIG. 9

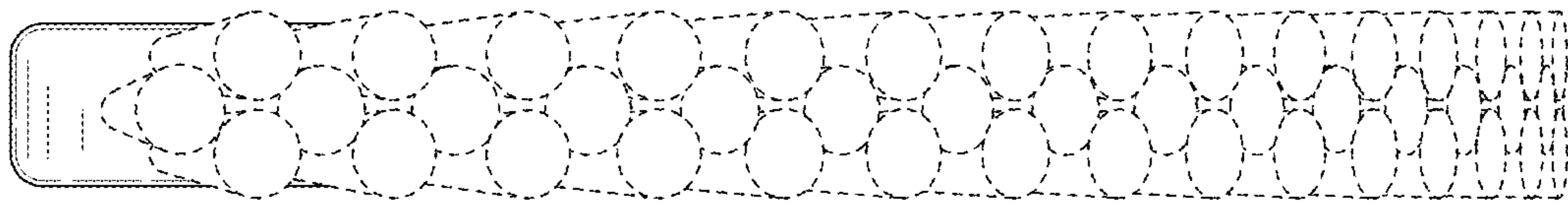


FIG. 10

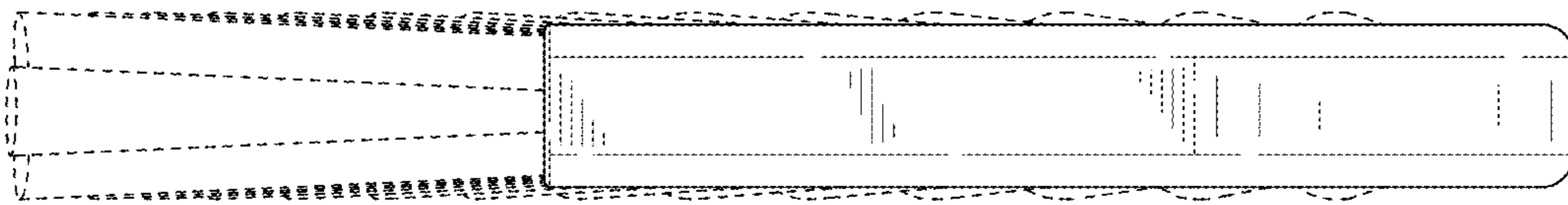


FIG. 11

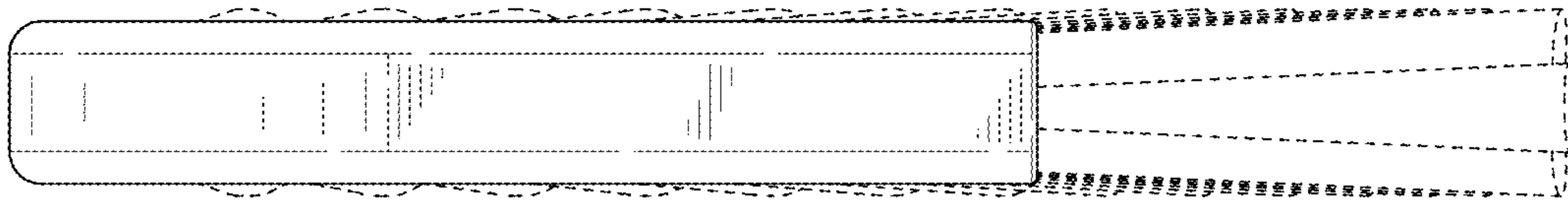


FIG. 12

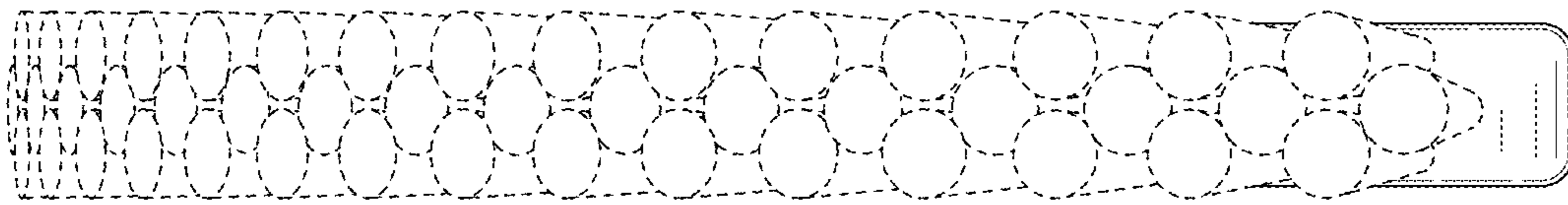


FIG. 13

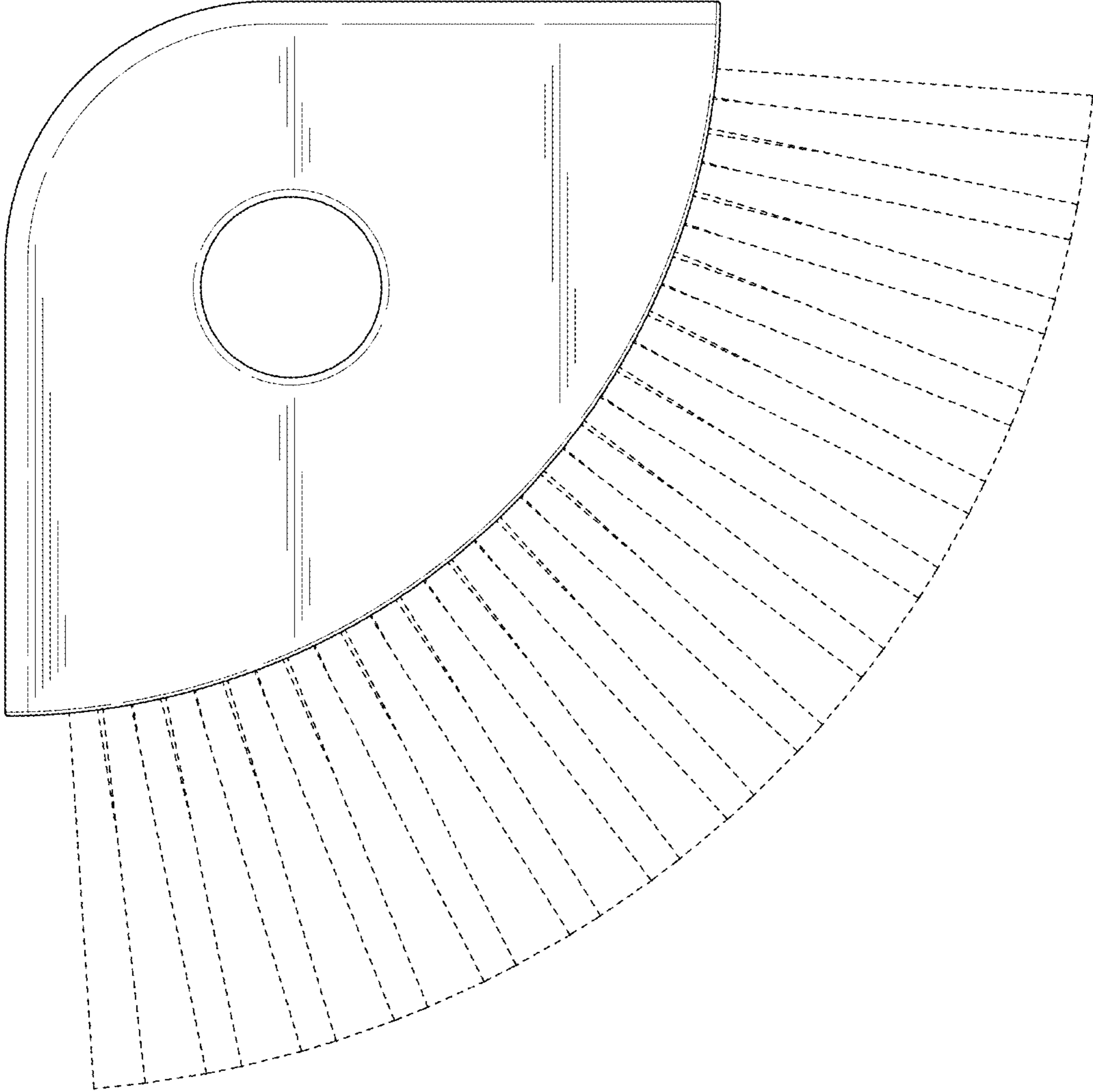


FIG. 14

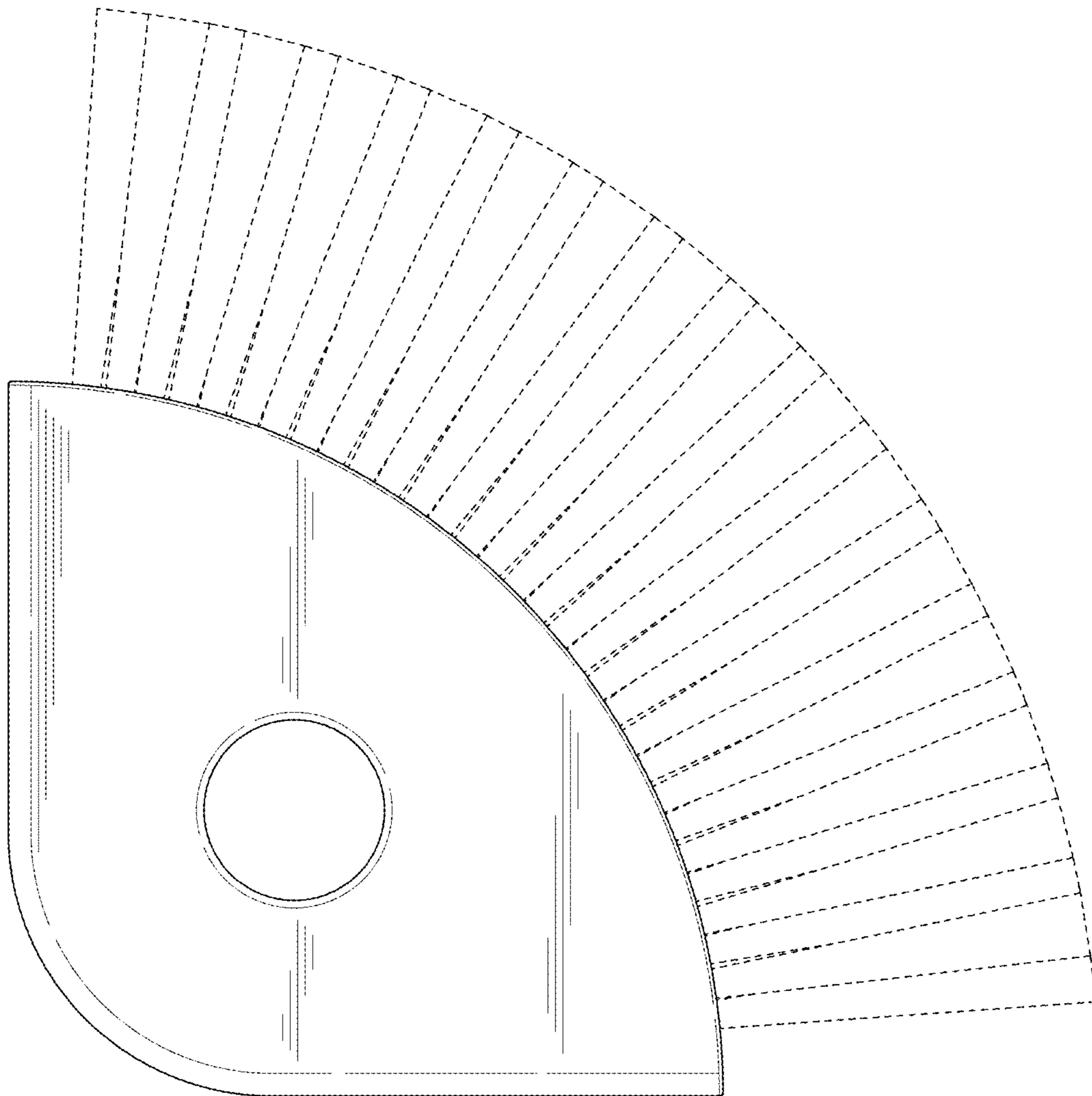


FIG. 15

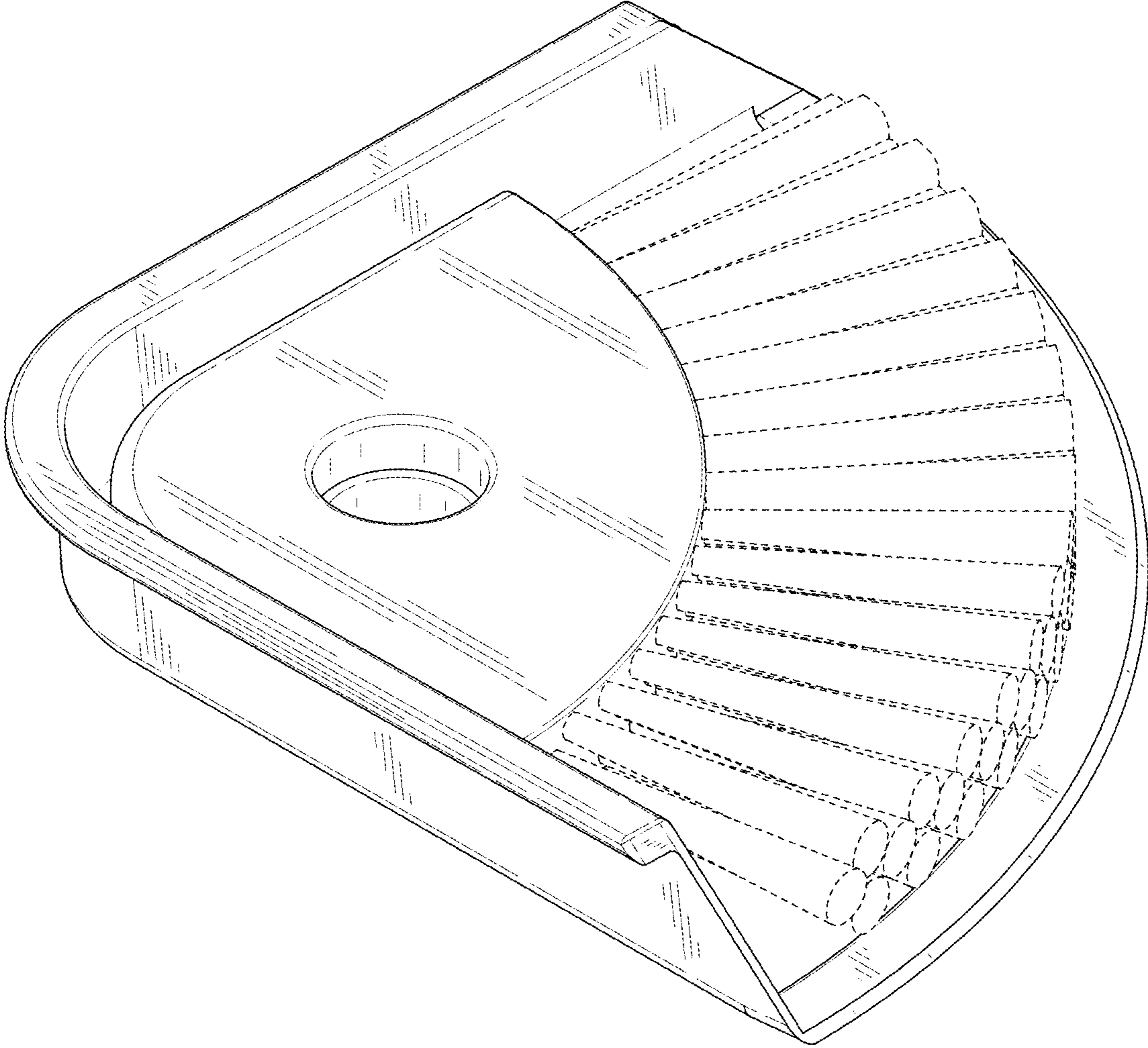


FIG. 16