



US00D970836S

(12) **United States Design Patent**  
**Elmestrand et al.**

(10) **Patent No.:** **US D970,836 S**

(45) **Date of Patent:** **\*\* Nov. 22, 2022**

- (54) **DUST COLLECTOR FILTER**
- (71) Applicant: **HUSQVARNA AB**, Huskvarna (SE)
- (72) Inventors: **Karl Elmestrand**, Sävedalen (SE);  
**Elon Wennberg**, Gothenburg (SE)
- (73) Assignee: **HUSQVARNA AB**, Huskvarna (SE)
- (\*\*) Term: **15 Years**
- (21) Appl. No.: **29/772,618**
- (22) Filed: **Mar. 3, 2021**

- 7,008,465 B2 \* 3/2006 Graham ..... B01D 46/2411  
55/DIG. 35
- D541,399 S \* 4/2007 Khalil ..... D32/31
- 7,374,595 B2 \* 5/2008 Gierer ..... A47L 9/127  
55/498
- 8,029,590 B2 \* 10/2011 Cheng ..... B01D 46/0016  
55/378
- D691,338 S \* 10/2013 Schultz ..... D32/31
- 8,961,644 B2 \* 2/2015 Burns ..... B01D 29/232  
210/450
- 9,078,550 B2 \* 7/2015 Pruitt ..... A47L 9/106
- 9,283,506 B2 \* 3/2016 Williams ..... B01D 46/2411
- D777,387 S \* 1/2017 Zhou ..... D32/31
- 9,604,172 B2 \* 3/2017 Raether ..... B01D 46/60
- 10,286,350 B1 \* 5/2019 Clements ..... B01D 39/1623
- 10,368,706 B1 \* 8/2019 Seasholtz ..... A47L 5/365

(Continued)

(30) **Foreign Application Priority Data**

Sep. 3, 2020 (EM) ..... 008157978-0003

(51) **LOC (13) Cl.** ..... **15-05**

(52) **U.S. Cl.**  
USPC ..... **D32/31**

(58) **Field of Classification Search**  
USPC ..... D32/15, 17-24, 31-34  
CPC ..... A47L 5/24; A47L 7/0076; A47L 11/04;  
A47L 11/22; A47L 5/28; A47L 9/106;  
A47L 11/30; A47L 11/4005; A47L 9/32;  
A47L 9/322; A47L 9/325; A47L 9/10;  
A47L 9/102; A47L 9/127; B04C 5/185;  
E04H 4/1636

See application file for complete search history.

(56) **References Cited**

**U.S. PATENT DOCUMENTS**

- D188,039 S \* 5/1960 Descaries ..... D32/31
- D233,646 S \* 11/1974 Diehl ..... D32/23
- D389,963 S \* 1/1998 Scanlon ..... D32/31
- 5,783,086 A \* 7/1998 Scanlon ..... A47L 7/0028  
210/651
- D416,308 S \* 11/1999 Ward ..... D23/209
- D440,294 S \* 4/2001 Bilek ..... D23/365

*Primary Examiner* — Kimberly Barnes

(74) *Attorney, Agent, or Firm* — Burr & Forman LLP

(57) **CLAIM**

The ornamental design for a dust collector filter, as shown and described.

**DESCRIPTION**

FIG. 1 is a perspective view of a dust collector filter of the present invention;

FIG. 2 is a back view of the dust collector filter of FIG. 1; FIG. 3 is a front view of the dust collector filter of FIG. 1; FIG. 4 is a left side view of the dust collector filter of FIG. 1;

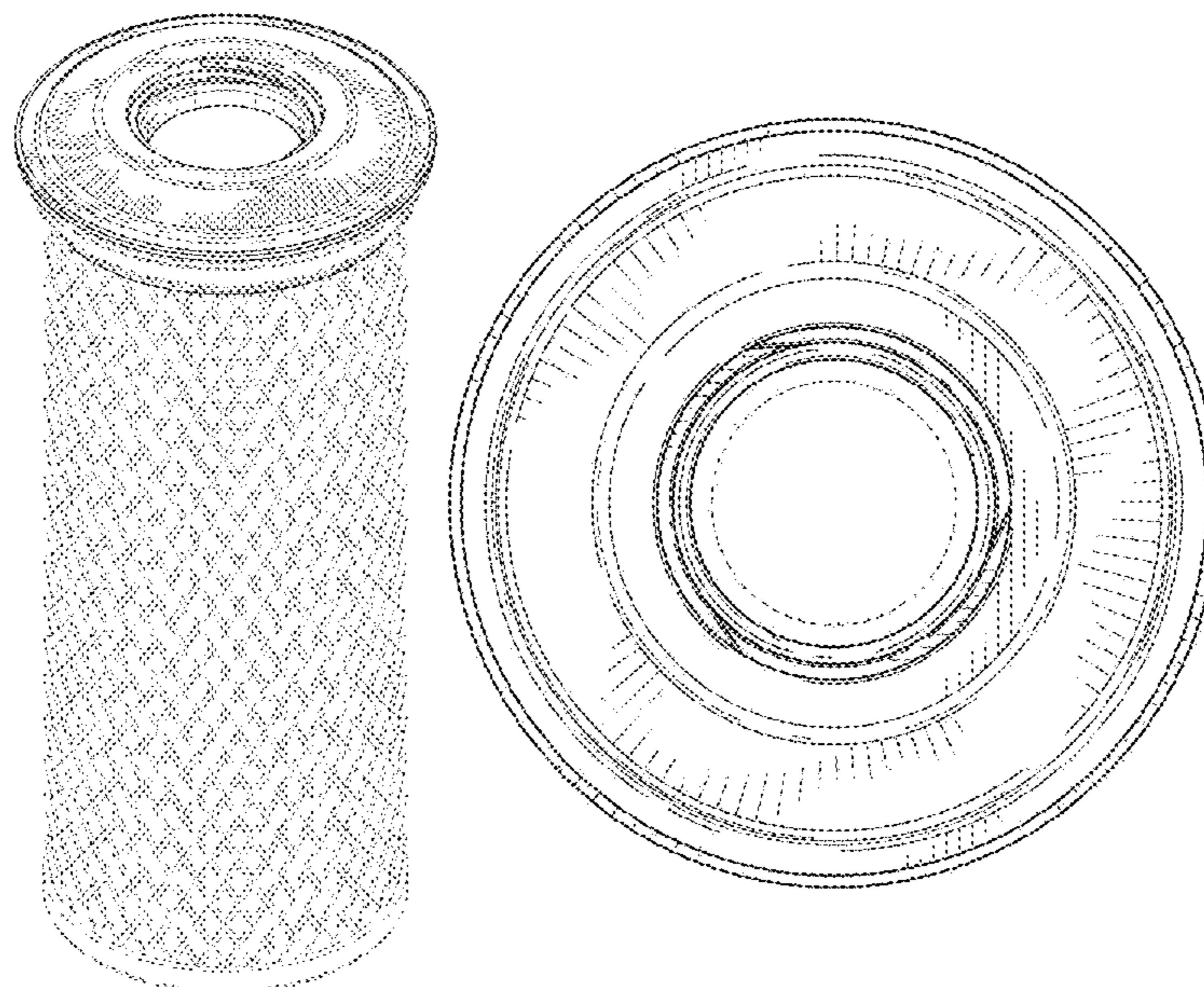
FIG. 5 is a right side view of the dust collector filter of FIG. 1;

FIG. 6 is an enlarged top view of the dust collector filter of FIG. 1; and,

FIG. 7 is an enlarged bottom view of the dust collector filter of FIG. 1.

The broken lines in FIGS. 1-7 depict portions of the dust collector filter that form no part of the claimed design.

**1 Claim, 7 Drawing Sheets**



(56)

**References Cited**

U.S. PATENT DOCUMENTS

10,455,998 B2 \* 10/2019 Kim ..... A47L 9/10  
D868,402 S \* 11/2019 Luo ..... D32/18  
10,493,392 B2 \* 12/2019 Williams ..... B01D 46/521  
D914,309 S \* 3/2021 Cole ..... D32/32  
D925,148 S \* 7/2021 Wang ..... D32/35  
11,324,368 B2 \* 5/2022 Sang ..... B01D 46/48  
2019/0183302 A1 \* 6/2019 Hinchliffe ..... A47L 9/12  
2021/0321844 A1 \* 10/2021 Seasholtz ..... A47L 9/127

\* cited by examiner

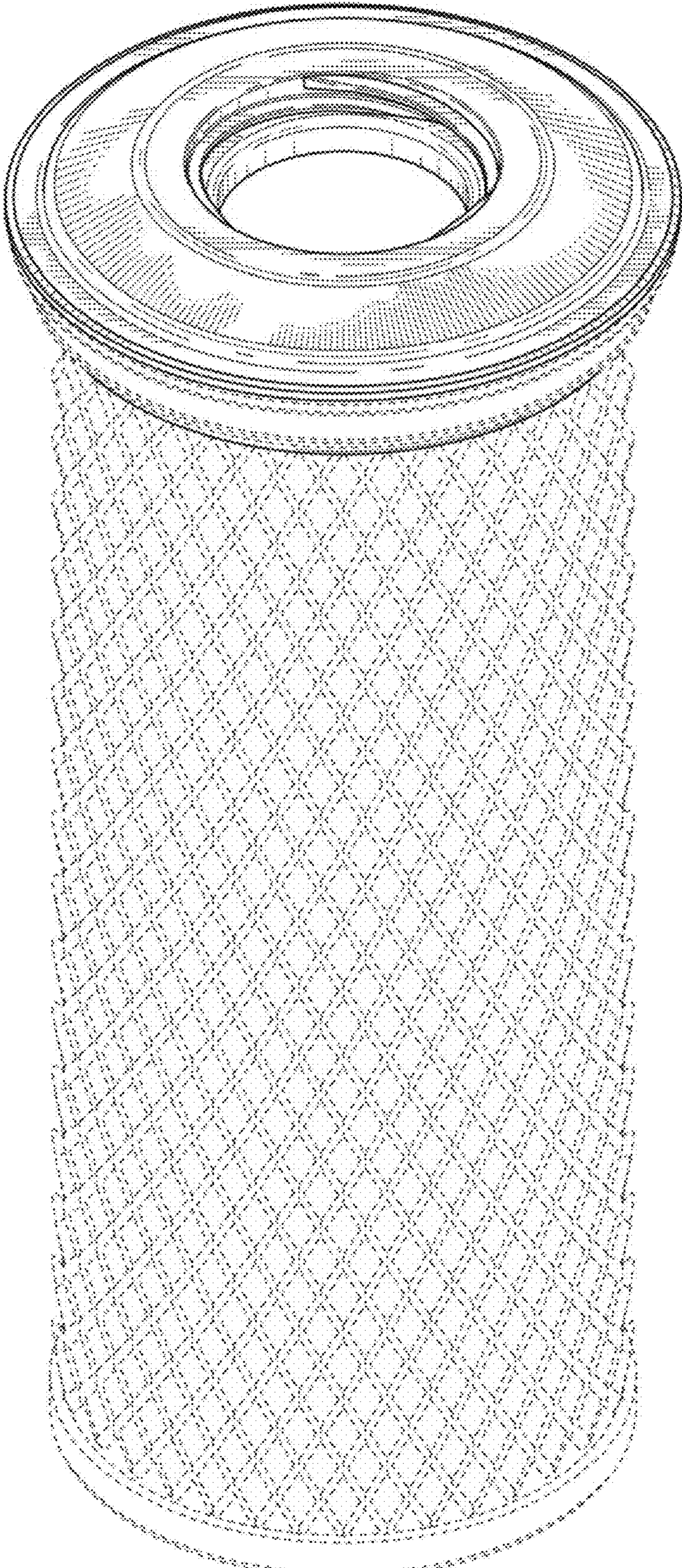


FIG. 1

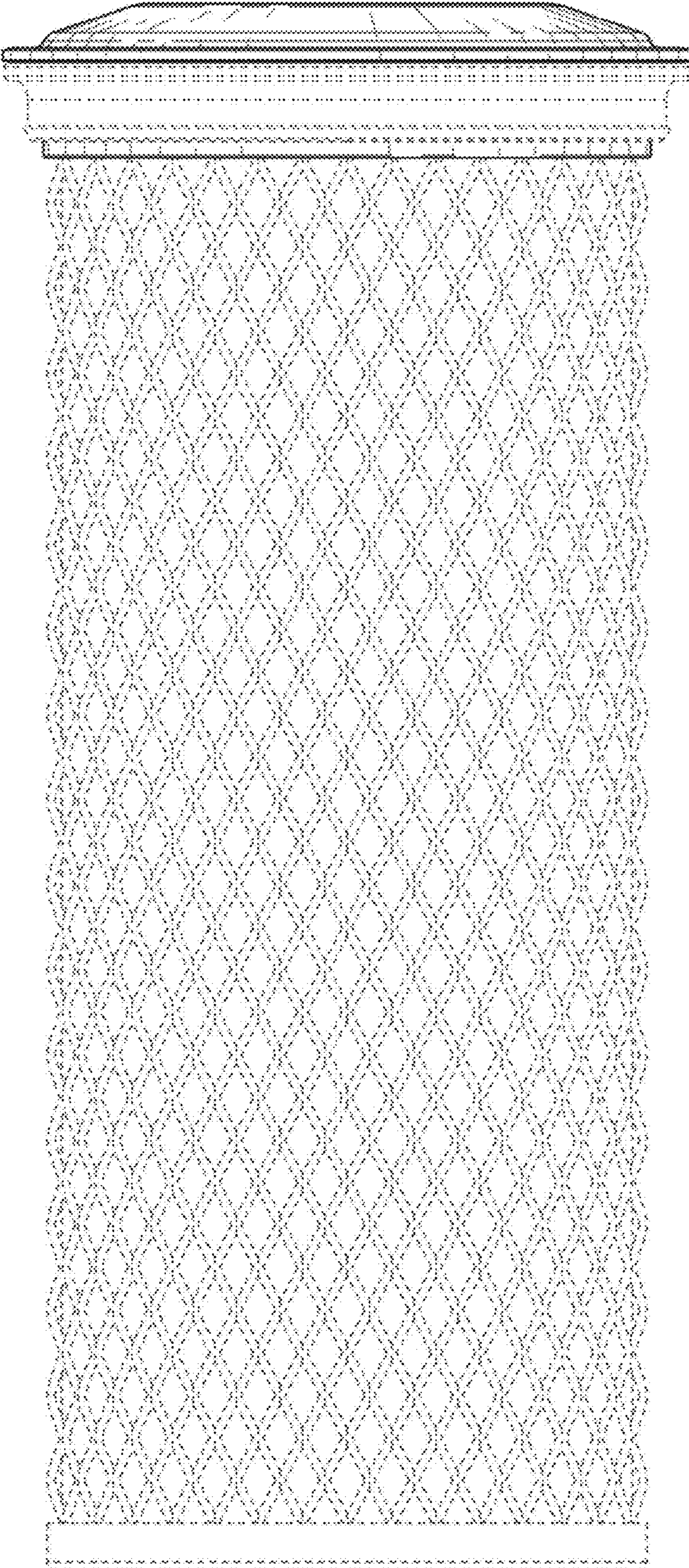


FIG. 2

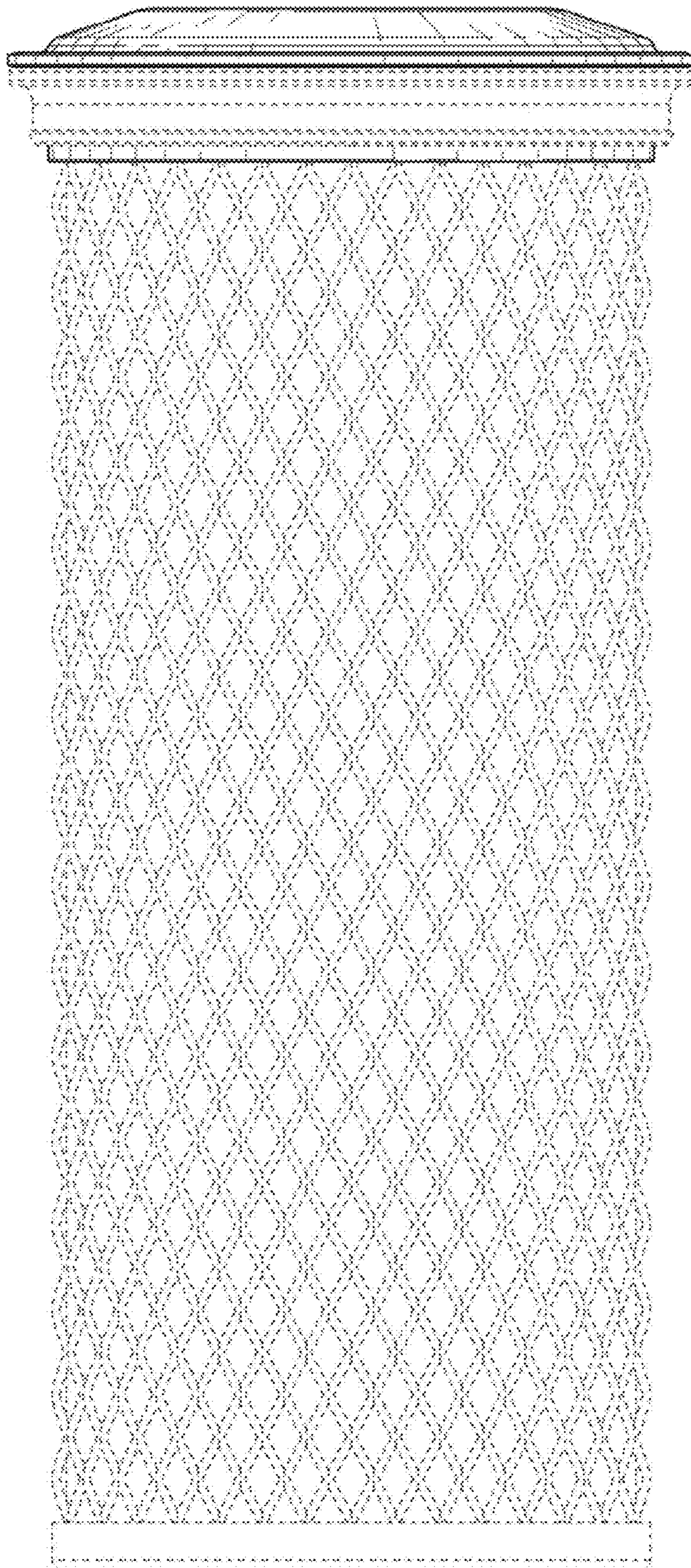


FIG. 3

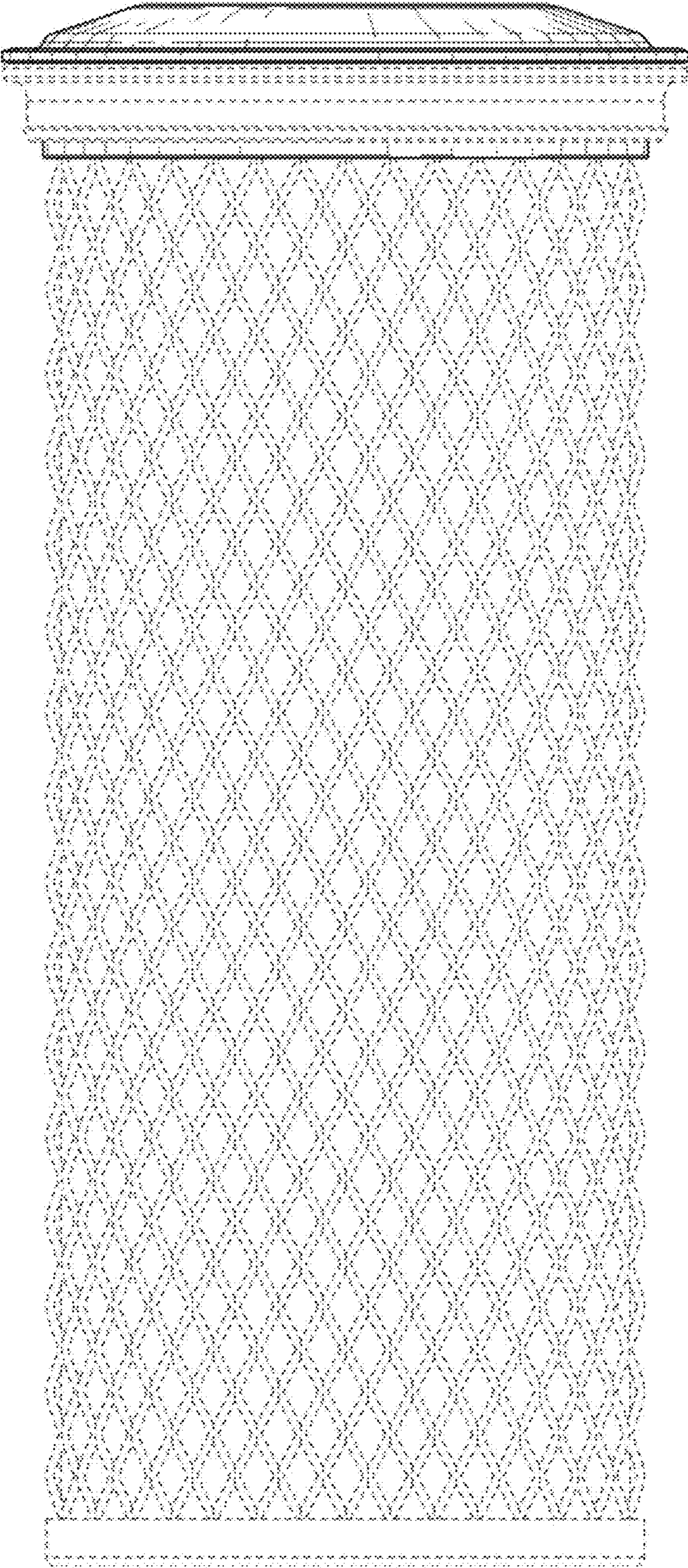


FIG. 4

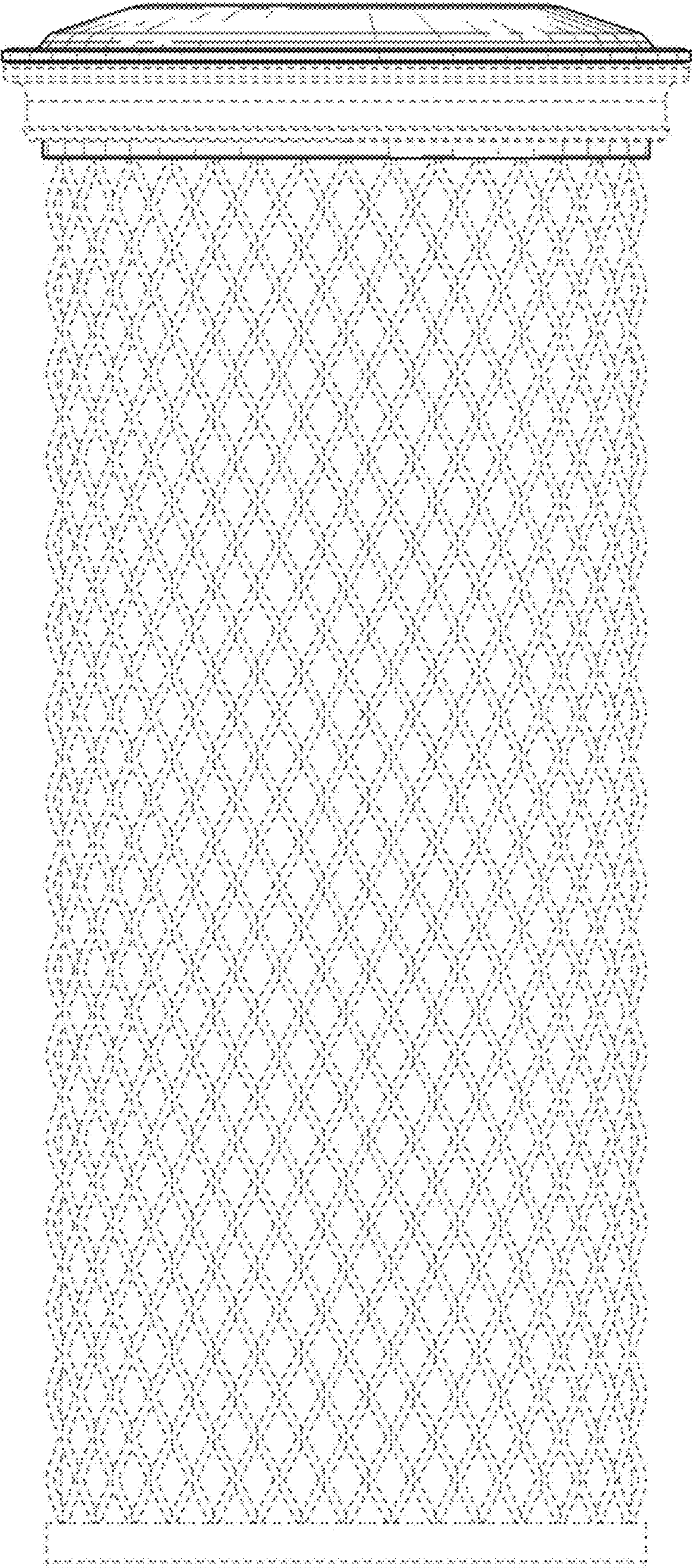


FIG. 5

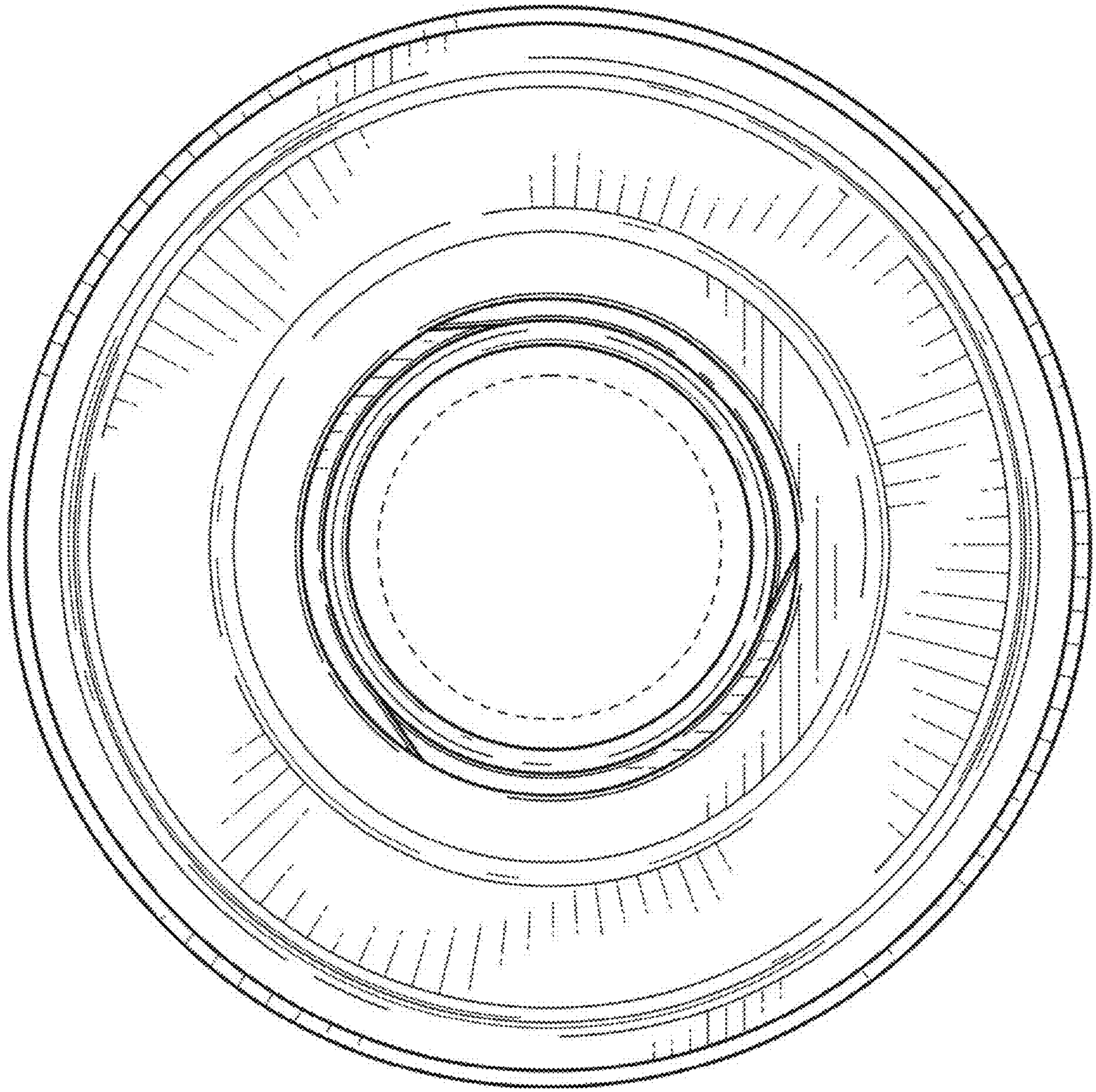


FIG. 6



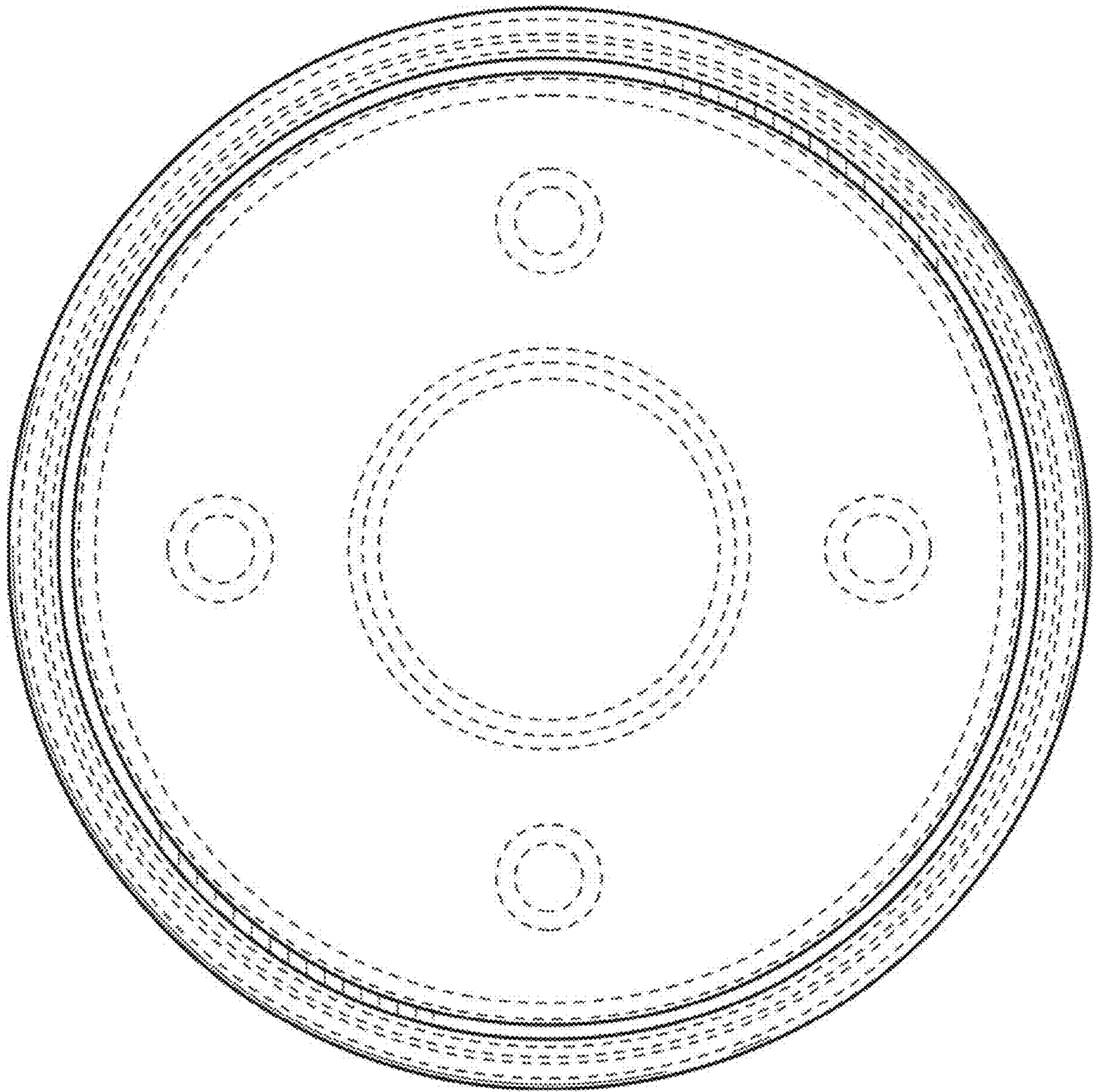


FIG. 7