



US00D970833S

(12) **United States Design Patent** (10) **Patent No.:** **US D970,833 S**  
**Ying et al.** (45) **Date of Patent:** **\*\* Nov. 22, 2022**

(54) **FLOOR CLEANER**  
(71) Applicants: **Min Ying**, Yongkang (CN); **Zhehang Bao**, Yongkang (CN)  
(72) Inventors: **Min Ying**, Yongkang (CN); **Zhehang Bao**, Yongkang (CN)  
(\*\*) Term: **15 Years**  
(21) Appl. No.: **29/839,714**  
(22) Filed: **May 24, 2022**  
(51) **LOC (13) Cl.** ..... **15-05**  
(52) **U.S. Cl.**  
USPC ..... **D32/22**  
(58) **Field of Classification Search**  
USPC ..... D32/15-24, 31-34  
CPC . A47L 5/24; A47L 5/26; A47L 9/2868; A47L 9/00; A47L 9/2863; A47L 11/20; A47L 11/30; A47L 11/40  
See application file for complete search history.

(56) **References Cited**  
U.S. PATENT DOCUMENTS  
D455,876 S \* 4/2002 Arney ..... D32/22  
D506,043 S \* 6/2005 Kim ..... D32/22  
D537,584 S \* 2/2007 Greene ..... D32/22  
7,318,848 B2 \* 1/2008 Lee ..... A47L 9/127  
55/284  
D587,870 S \* 3/2009 Baek ..... D32/22  
D612,114 S \* 3/2010 Ikeno ..... D32/22  
D662,677 S \* 6/2012 Bilger ..... D32/22  
D722,211 S \* 2/2015 Thackray ..... D32/22  
8,997,309 B2 \* 4/2015 Conrad ..... A47L 9/1683  
15/353  
D783,912 S \* 4/2017 Shin ..... D32/22  
10,092,155 B2 \* 10/2018 Xia ..... A47L 11/302  
10,470,625 B2 \* 11/2019 Burgess ..... A47L 9/1683  
D872,396 S \* 1/2020 Miyawaki ..... D32/22  
D897,059 S 9/2020 Li

11,039,723 B2 \* 6/2021 Pruiett ..... A47L 11/26  
D930,297 S 9/2021 Burgess et al.  
11,141,031 B2 \* 10/2021 Davila ..... A47L 9/0673  
11,160,431 B2 \* 11/2021 Nguyen ..... A47L 9/325  
2020/0196823 A1 \* 6/2020 Schneider ..... B65D 75/54  
2021/0038042 A1 \* 2/2021 Morgan ..... A47L 9/2863  
2021/0127933 A1 \* 5/2021 Bloom ..... A47L 11/30  
2021/0145230 A1 \* 5/2021 Paulla ..... A47L 9/20  
2021/0186292 A1 \* 6/2021 Davila ..... A47L 11/4016  
2021/0235947 A1 \* 8/2021 Ni ..... A47L 9/1409  
2021/0393102 A1 \* 12/2021 Bian ..... A47L 11/302  
2022/0160196 A1 \* 5/2022 Thorne ..... A47L 9/1683

OTHER PUBLICATIONS

Best Wet-Dry Vacuums for Tough Messes (on-line), dated Apr. 14, 2021. Retrieved from Internet Aug. 16, 2022, URL: <https://www.rollingstone.com/product-recommendations/electronics/best-wet-dry-vacuums-1148222/> (6 pages) (Year: 2021).\*

(Continued)

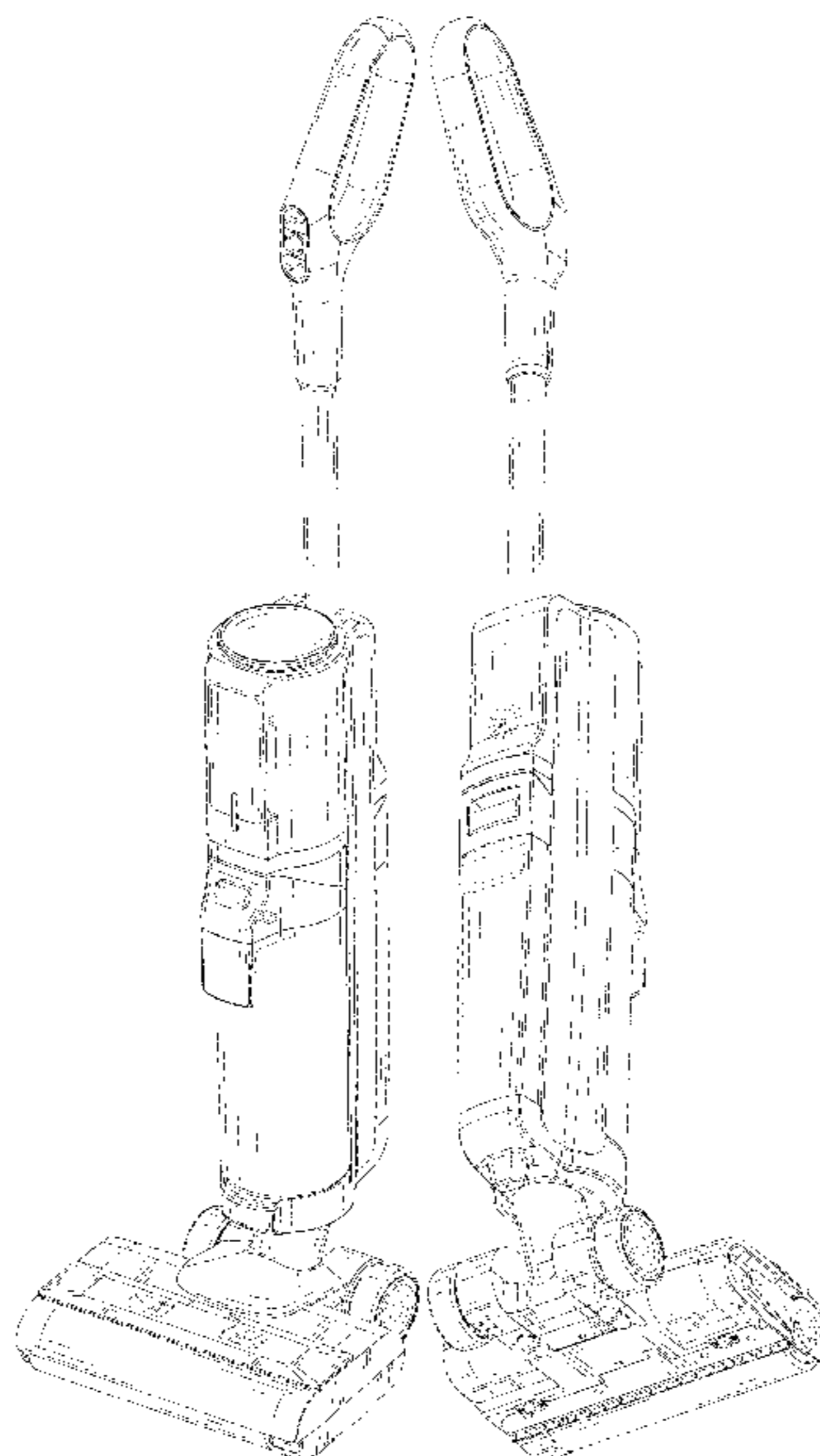
Primary Examiner — Kimberly Barnes

(57) **CLAIM**  
The ornamental design for a floor cleaner, as shown and described.

DESCRIPTION

FIG. 1 is a perspective view of a floor cleaner showing our new design;  
FIG. 2 is another perspective view thereof;  
FIG. 3 is a front elevational view thereof;  
FIG. 4 is a rear elevational view thereof;  
FIG. 5 is a left side elevational view thereof;  
FIG. 6 is a right side elevational view thereof;  
FIG. 7 is a top plan view thereof; and,  
FIG. 8 is a bottom plan view thereof.  
The broken lines in the drawings depict portions of the floor cleaner that form no part of the claimed design.

1 Claim, 8 Drawing Sheets



(56)

**References Cited**

OTHER PUBLICATIONS

Proscenic Intros the WashVac F20 Cordless Wet Dry Vacuum Cleaner (on-line), dated May 24, 2022. Retrieved from Internet Aug. 16, 2022, URL: <https://www.gadgetvoize.com/2022/05/24/proscenic-intros-the-washvac-f20-cordless-wet-dry-vacuum-cleaner/> (7 pages) (Year: 2022).\*

\* cited by examiner

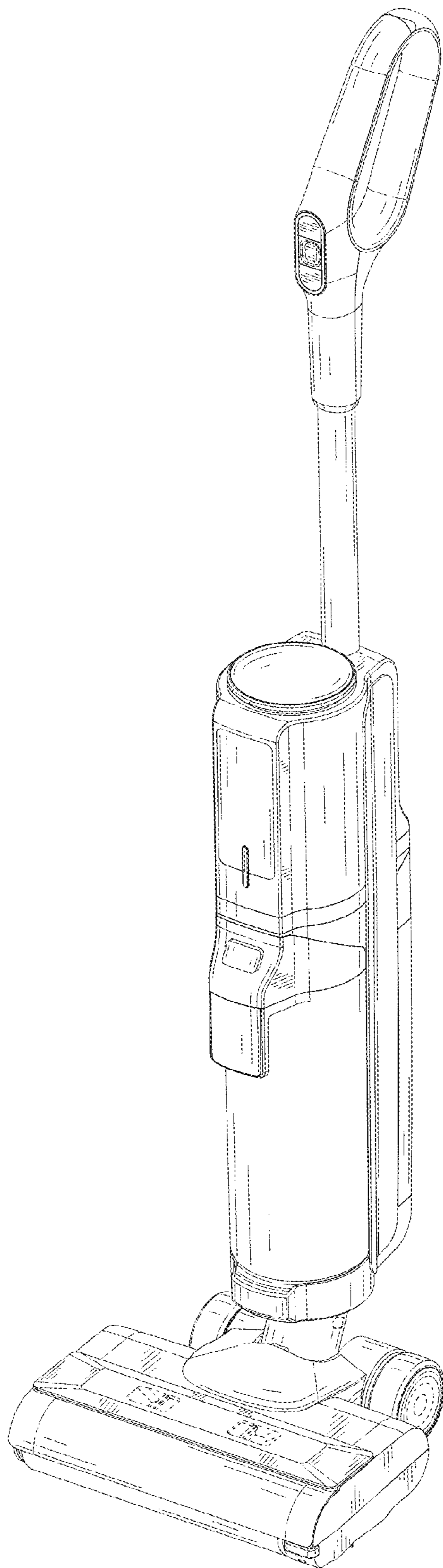


FIG. 1

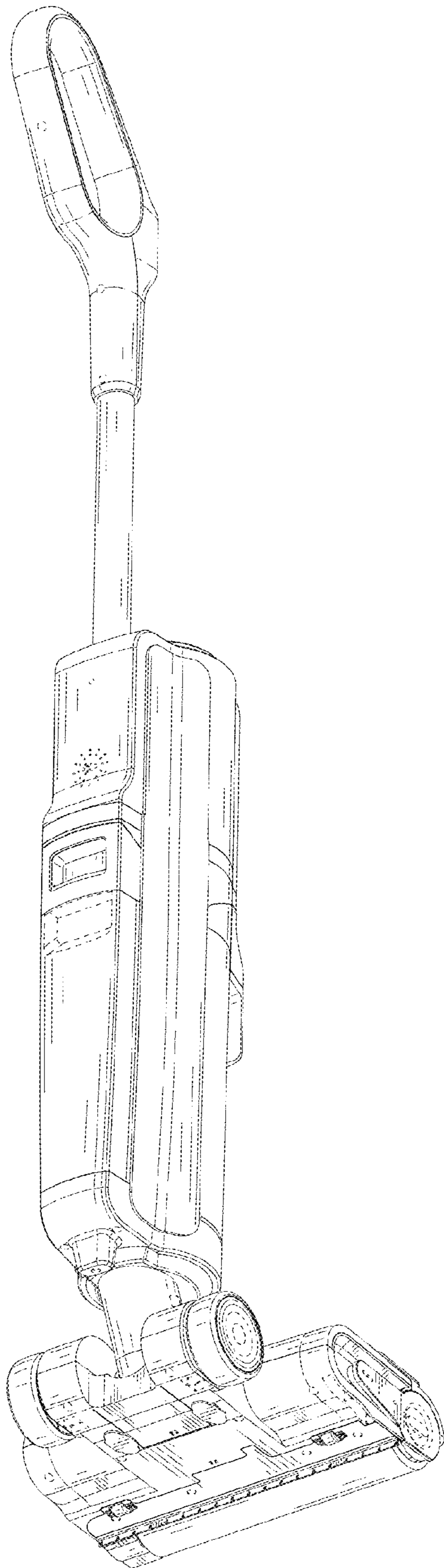


FIG. 2

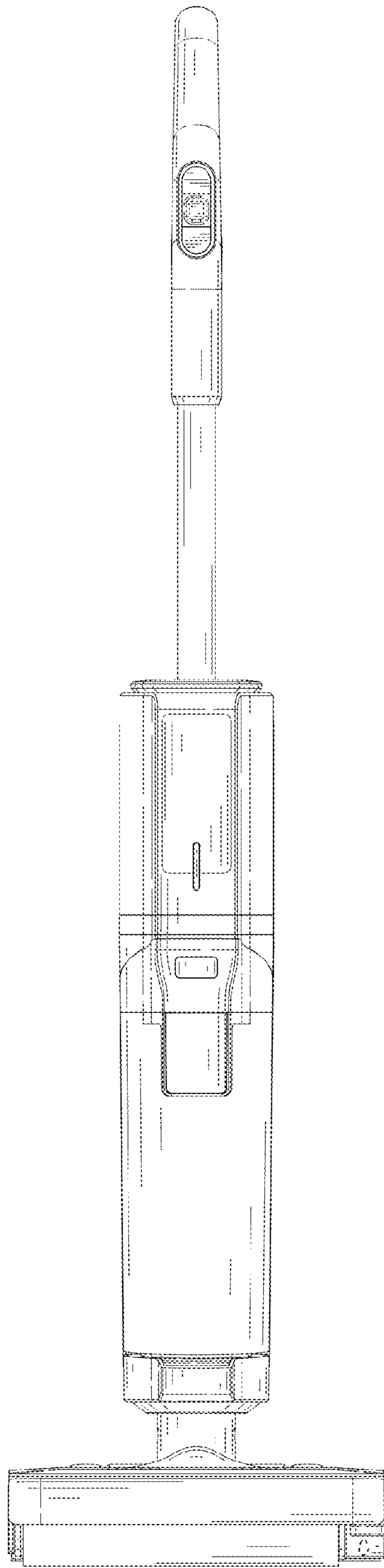


FIG. 3

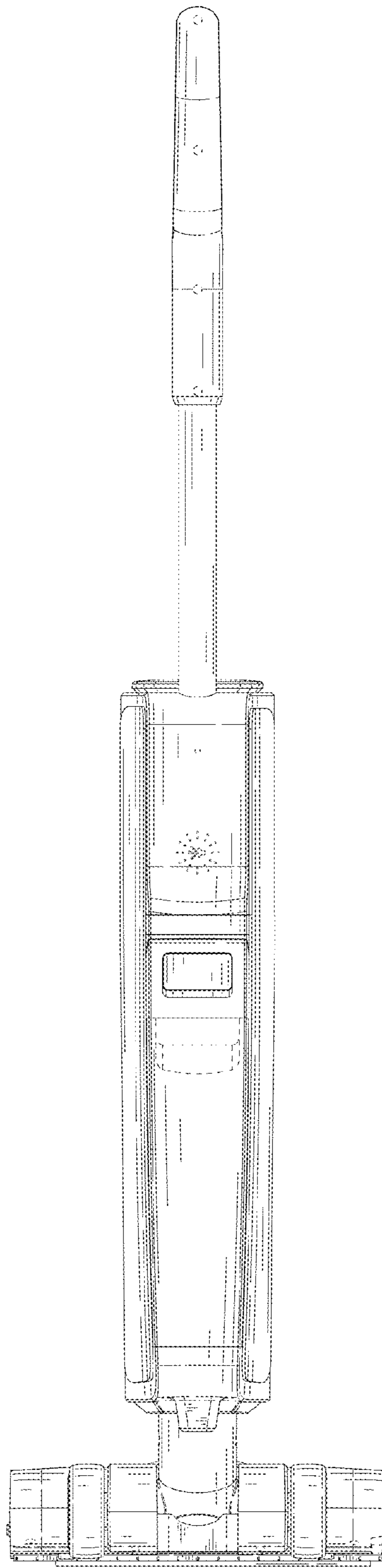


FIG. 4

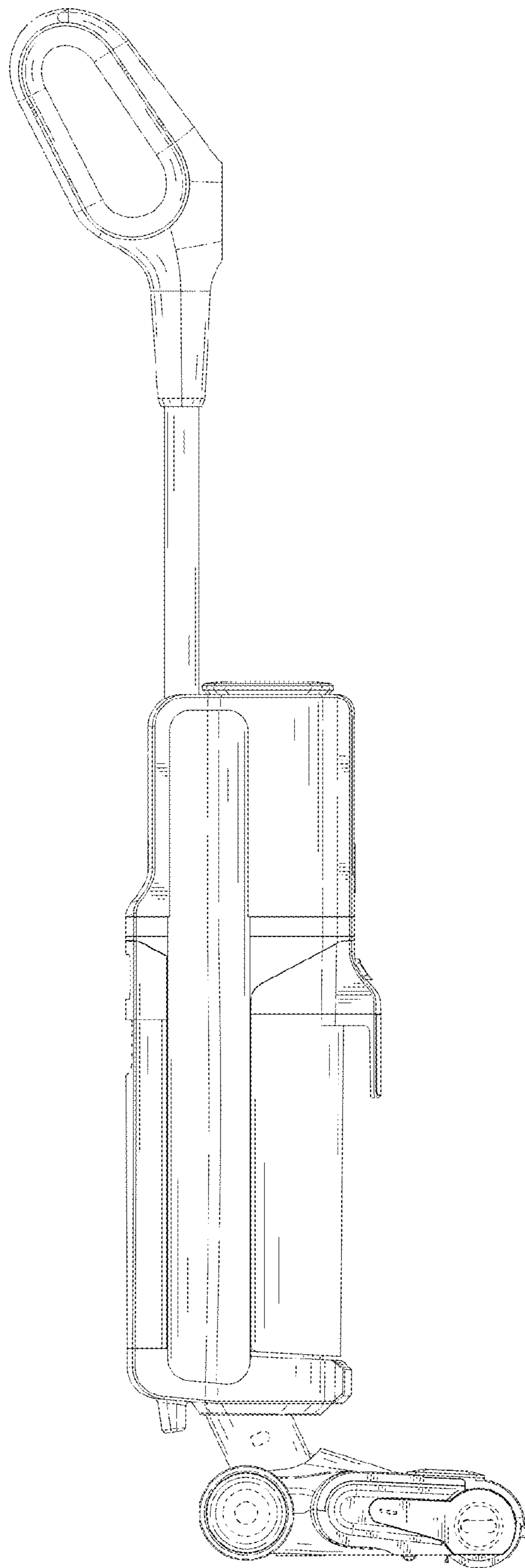


FIG. 5

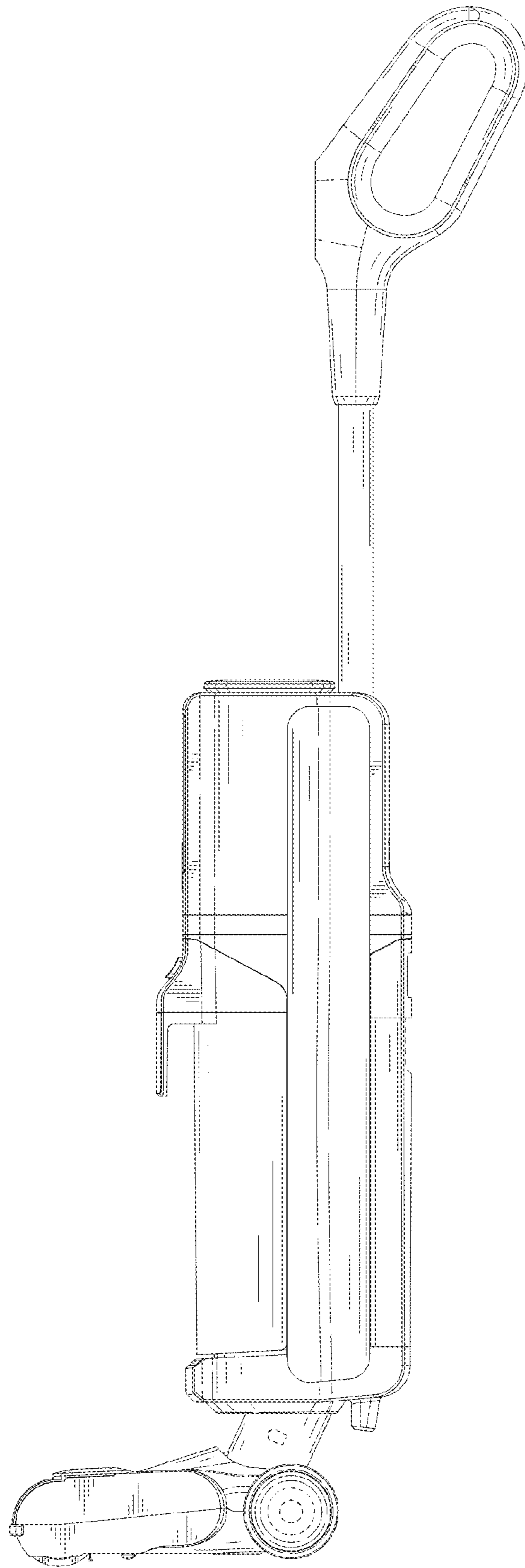


FIG. 6



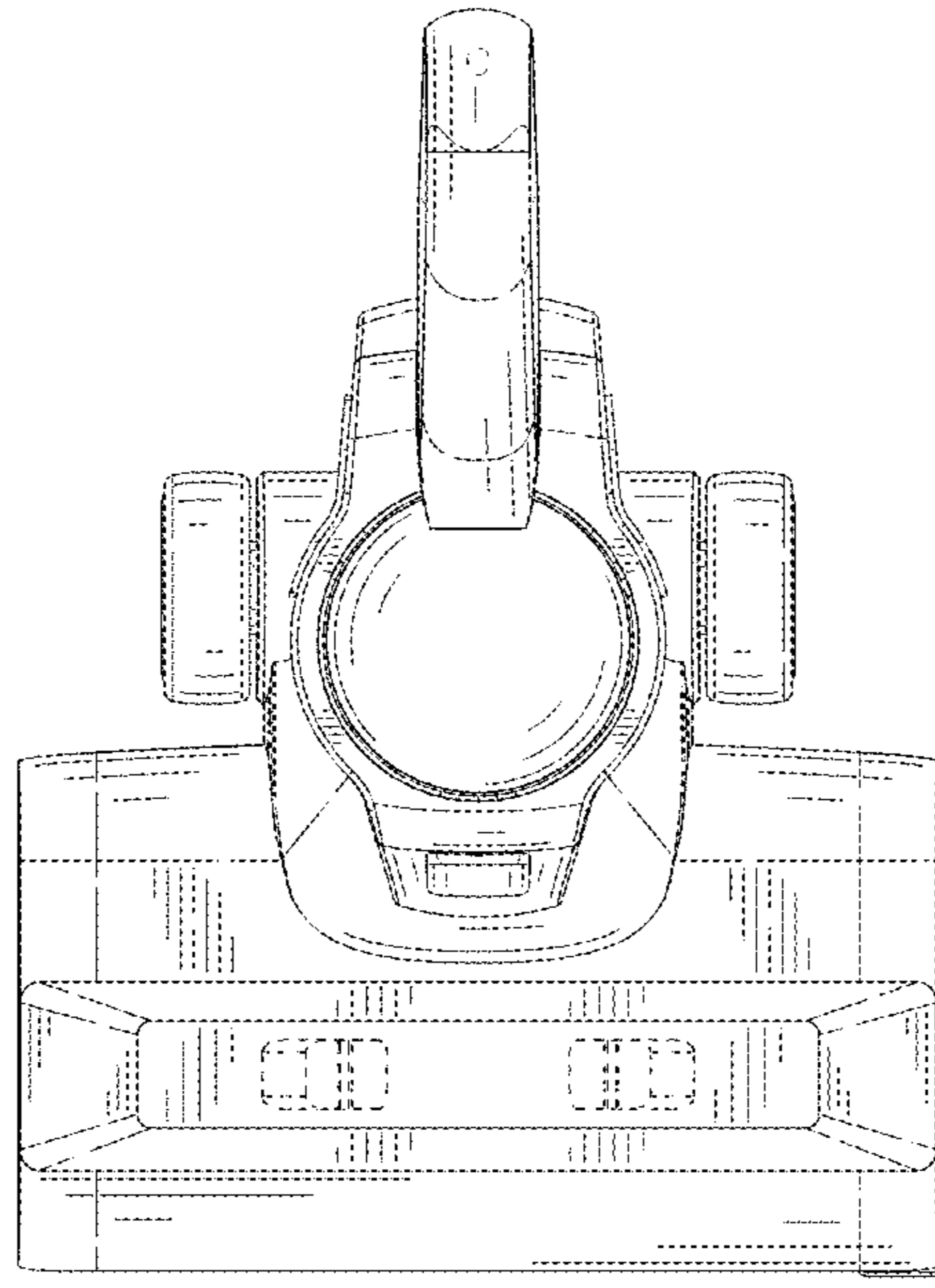


FIG. 7

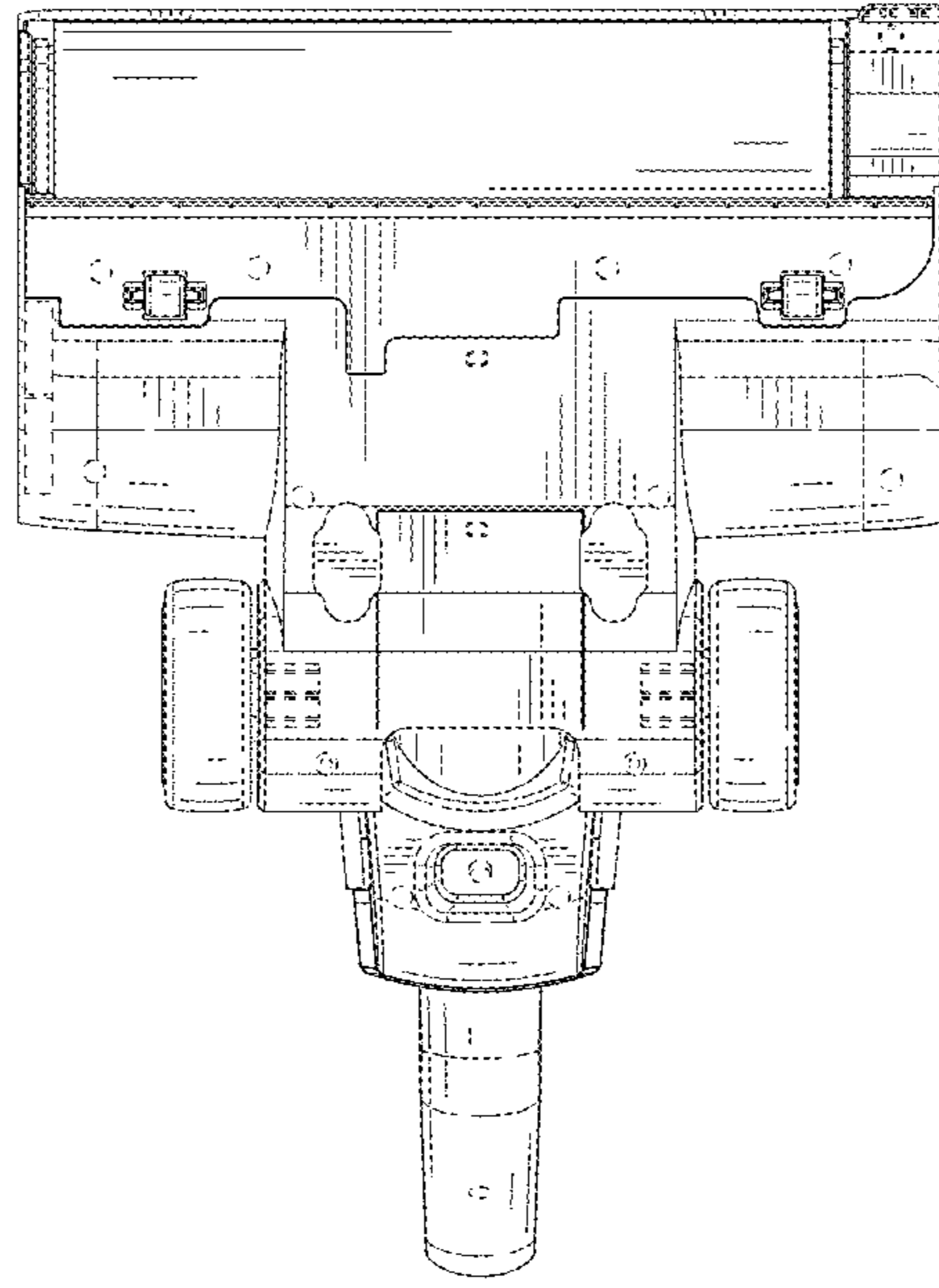


FIG. 8