



US00D970831S

(12) **United States Design Patent**
Huang

(10) **Patent No.:** **US D970,831 S**

(45) **Date of Patent:** **** Nov. 22, 2022**

(54) **WASHING MACHINE**

FOREIGN PATENT DOCUMENTS

(71) Applicant: **Shanghai Adventure Sea Trading Co., Ltd.**, Shanghai (CN)

CN 306840348 * 9/2021
CN 306856226 * 9/2021

(Continued)

(72) Inventor: **Chuangyong Huang**, Shanghai (CN)

OTHER PUBLICATIONS

(73) Assignee: **Shanghai Adventure Sea Trading Co., Ltd.**, Shanghai (CN)

Ransmile Portable Mini Folding Washing Machine, available in Amazon.com, date first available Nov. 6, 2020 [online],[site visited Mar. 8, 2021], Available from internet URL: https://www.amazon.com/Portable-Folding-Washing-Machine-Spinner%EF%BC%88Blue%EF%BC%89/dp/B08MYYL5MD/ref=pd_sbs_1/133-2871813-0152411 (Year: 2020).*

(**) Term: **15 Years**

(Continued)

(21) Appl. No.: **29/812,605**

(22) Filed: **Oct. 22, 2021**

(51) **LOC (13) Cl.** **15-05**

(52) **U.S. Cl.**
USPC **D32/6**

(58) **Field of Classification Search**
USPC D32/1, 5, 6, 8, 10, 13, 21, 25, 35;
D21/526

CPC . D06F 1/00; D06F 39/00; D06F 39/12; D06F
2103/24

See application file for complete search history.

Primary Examiner — Jennifer Rivard

Assistant Examiner — Jennylou M Binas

(74) *Attorney, Agent, or Firm* — ScienBiziP, P.C.

(57) **CLAIM**

The ornamental design for a washing machine, as shown and described.

DESCRIPTION

FIG. 1 is a front, right and top perspective view of a washing machine, showing my design.

FIG. 2 is a rear, left and bottom perspective view thereof.

FIG. 3 is a front elevation view thereof.

FIG. 4 is a rear elevation view thereof.

FIG. 5 is a left side elevation view thereof.

FIG. 6 is a right side elevation view thereof.

FIG. 7 is a top plan view thereof.

FIG. 8 is a bottom plan view thereof.

FIG. 9 is another front, right and top perspective view of the washing machine of FIG. 1 in a contracted state; and,

FIG. 10 is a rear, left and bottom perspective view of the washing machine of FIG. 9.

The broken lines shown in the drawings are included for the purpose of illustrating portions of the washing machine that form no part of the claimed design.

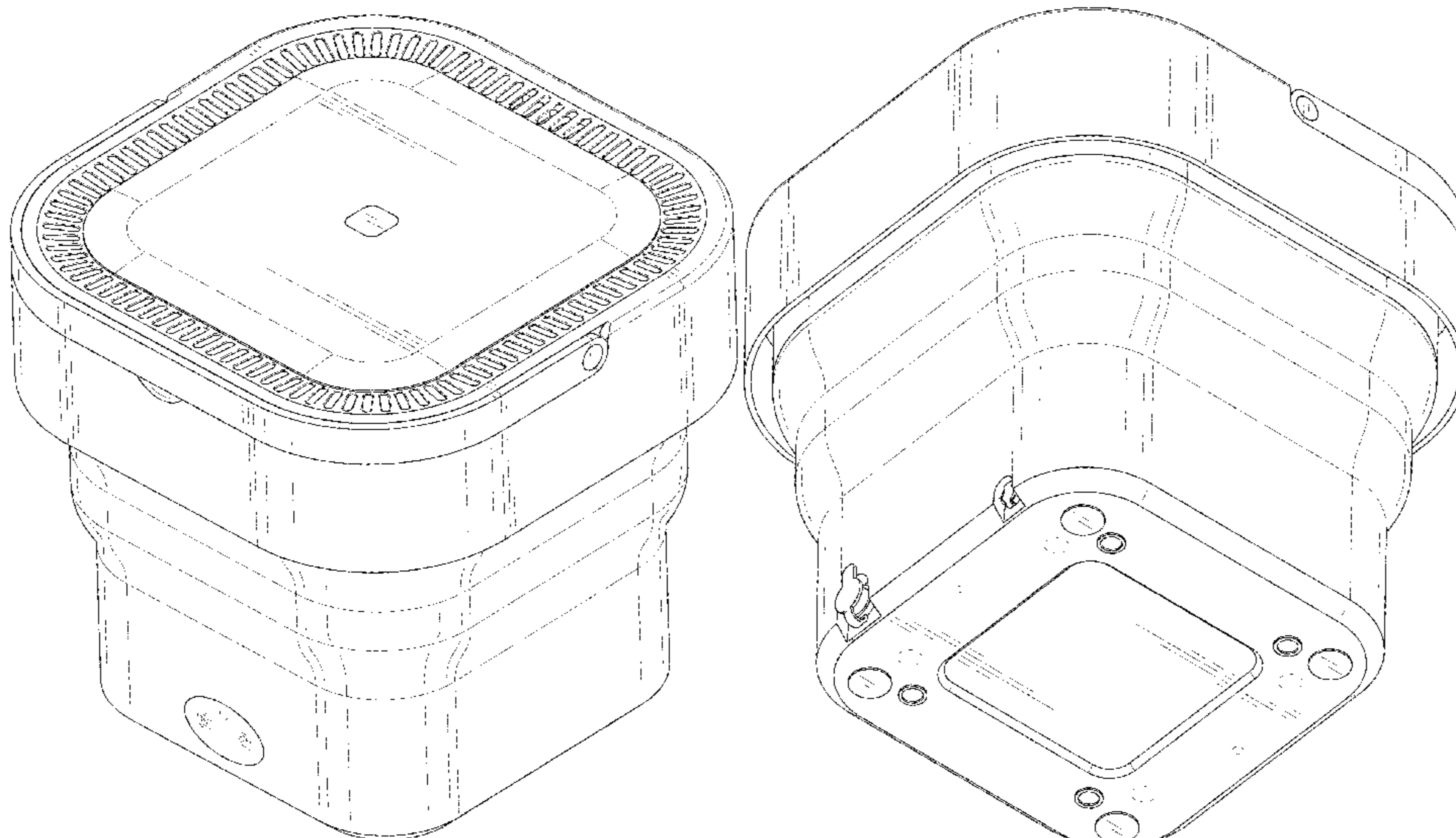
(56) **References Cited**

U.S. PATENT DOCUMENTS

D102,365 S	*	12/1936	Goldblatt	D32/13
D191,469 S	*	10/1961	Lewis	D32/5
D202,768 S	*	11/1965	Davis et al.	D32/21
D468,495 S	*	1/2003	Chen	D32/1
D469,225 S	*	1/2003	Chen	D32/1
D472,352 S	*	3/2003	Jung	D32/1
D516,258 S	*	2/2006	Matsusaki	D32/1
D520,689 S	*	5/2006	Eccardt	D32/21
D657,507 S	*	4/2012	Dash	D32/6
D695,979 S	*	12/2013	Lee	D32/6
D720,510 S	*	12/2014	Shin	D32/21
D817,564 S	*	5/2018	Shin	D32/6
D873,515 S		1/2020	Bixby et al.		

(Continued)

1 Claim, 10 Drawing Sheets



(56)

References Cited

U.S. PATENT DOCUMENTS

D933,910 S 10/2021 Sun et al.
D940,410 S * 1/2022 Musha D32/6

FOREIGN PATENT DOCUMENTS

CN 306934240 * 11/2021
CN 306934271 * 11/2021
CN 307130258 * 2/2022

OTHER PUBLICATIONS

X-R-SPORT Portable Washing Machine, available in Amazon.com, date first available Jan. 2, 2021 [online], [site visited Mar. 8, 2021], Available from the internet URL: https://www.amazon.com/dp/B08PCM5TFS/ref=cm_sw_r_apan_glt_i_WS1BS64GDVSDHX36MYM8 (Year: 2021).*

East doll Store Portable Washing Machine, available in Amazon.com, date first available Aug. 30, 2021 [online], [site visited Mar. 8, 2021], Available from the internet URL: https://www.amazon.com/dp/B09DYGS7J2/ref=cm_sw_r_apan_glt_i_1F26E2YQH79RXREXE344 (Year: 2021).*

MOYU Portable Washing Machine, available in Amazon.com, date first available Jun. 29, 2020 [online], [site visited date], Available from the internet URL: https://www.amazon.com/Portable-Washing-Machine-Foldable-Drainage/dp/B08BZBJMQZ/ref=asc_df_B08BZBJMQZ/ (Year: 2020).*

Pyle Store Portable Mini Washing Machine, available in Amazon.com, date first available Feb. 24, 2021 [online], [site visited Mar. 8, 2021], Available from the internet URL: https://www.amazon.com/Portable-Washing-Machine-Lightweight-Collapsible/dp/B08XDJQ3XC/ref=pd_sbs_4/133-2871813-0152411 (Year: 2021).*

YQGOO Mini Washing Machine, available in Amazon.co.uk, date first available Sep. 22, 2021 [online], [site visited Mar. 8, 2021], Available from the internet URL: https://www.amazon.co.uk/Portable-Full-Automatic-Sterilization-Underwear-Apartments/dp/B098X99DQP/ref=sr_1_3 (Year: 2021).*

* cited by examiner

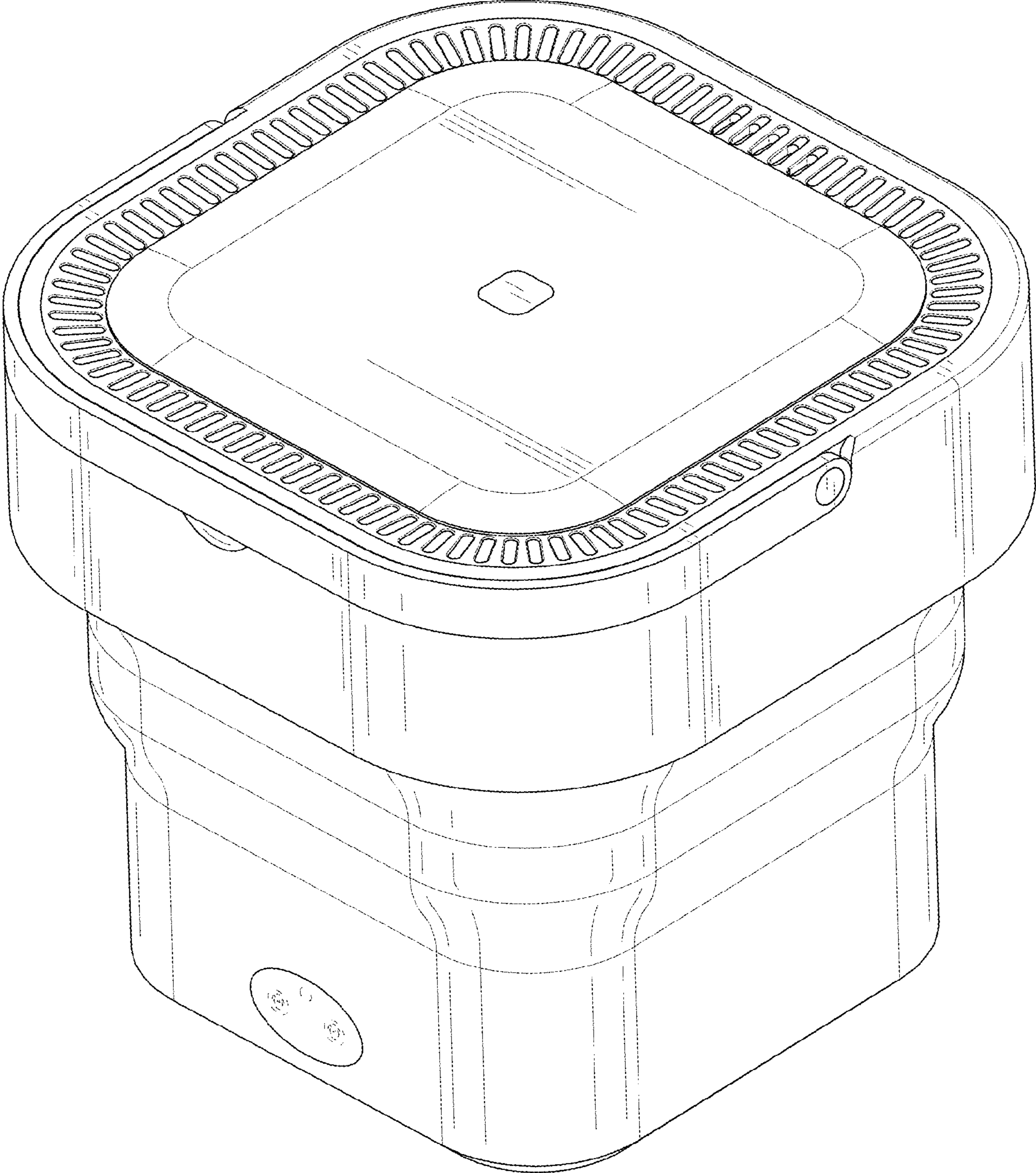


FIG. 1

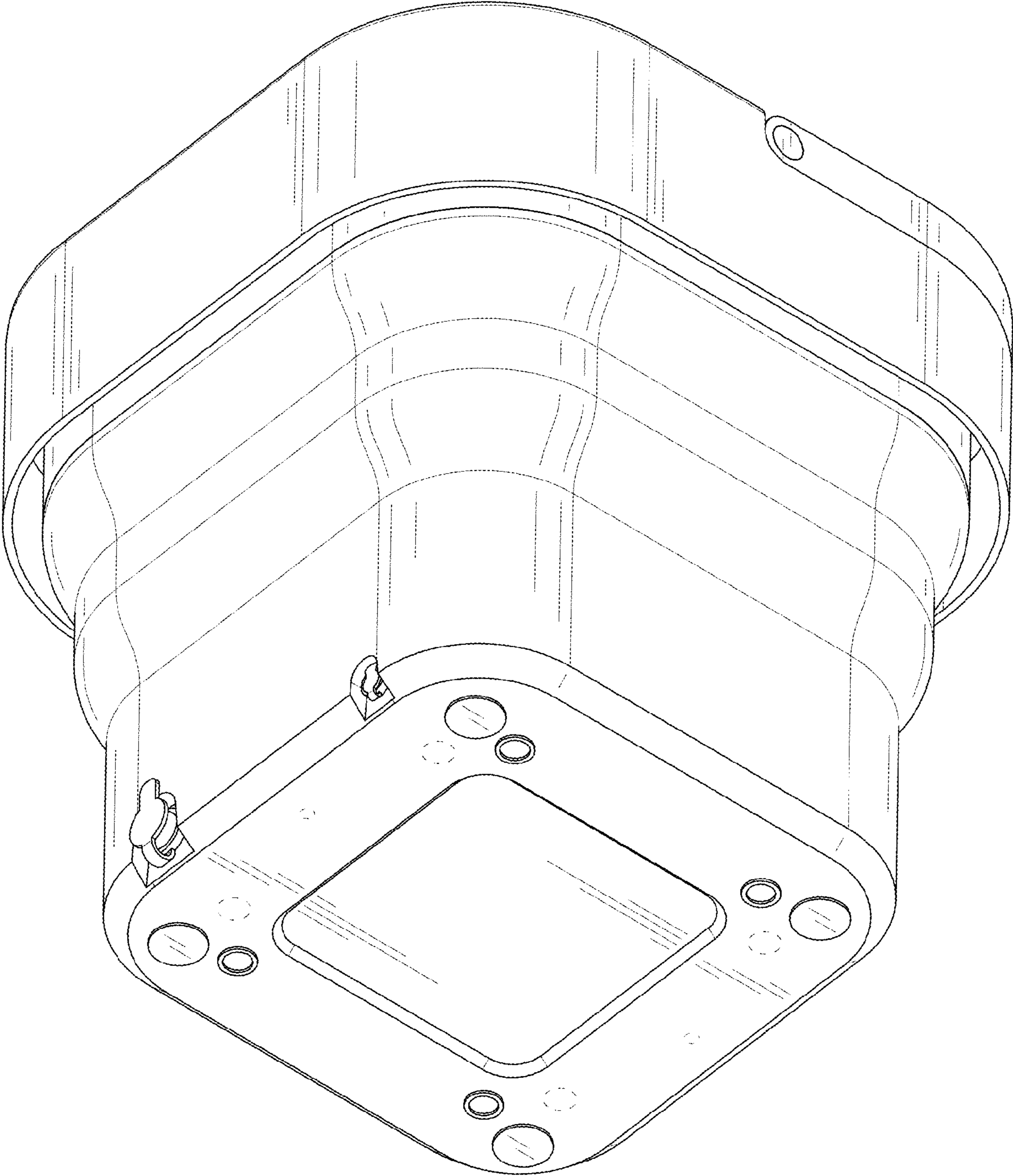


FIG. 2

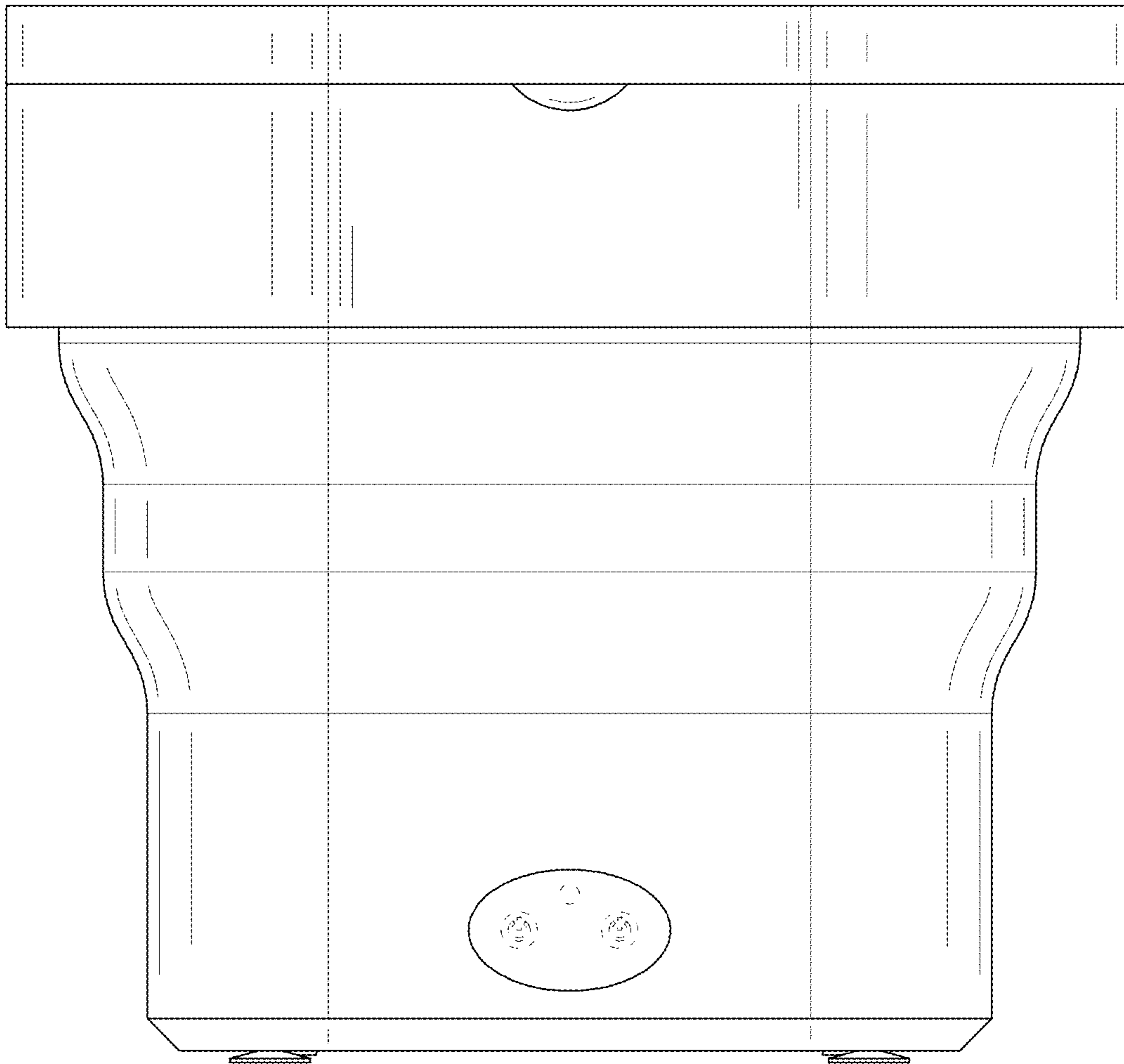


FIG. 3

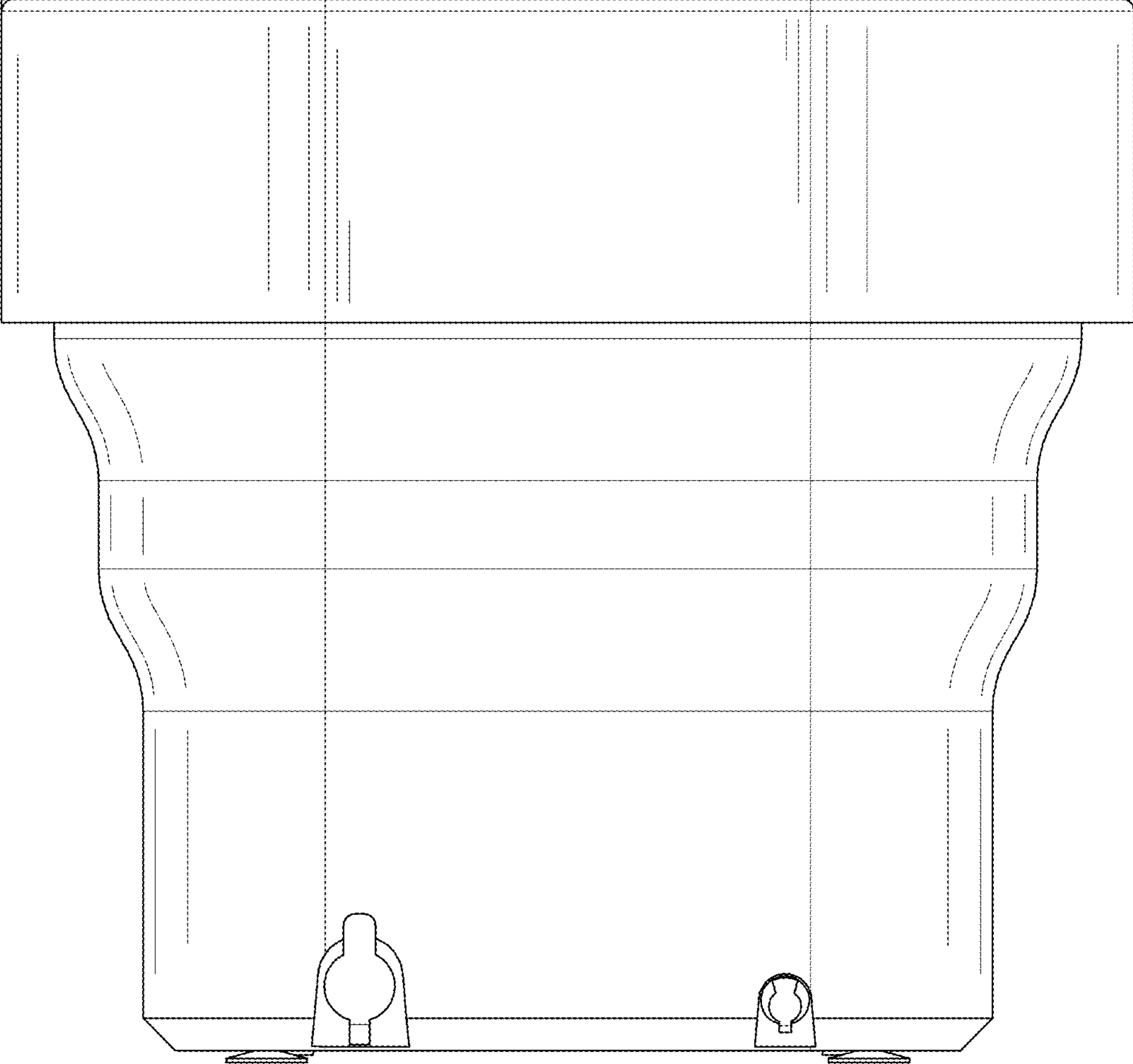


FIG. 4

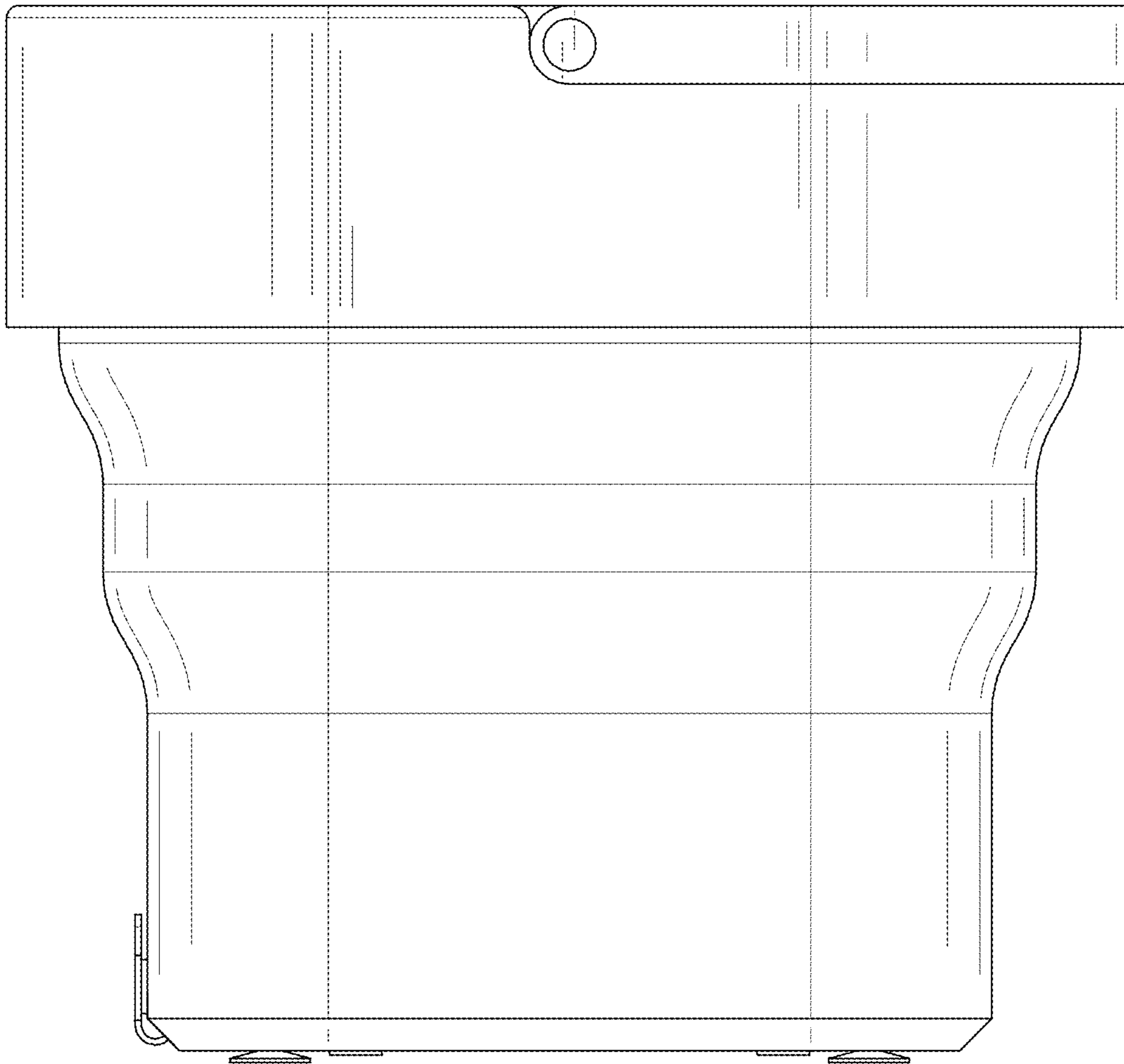


FIG. 5

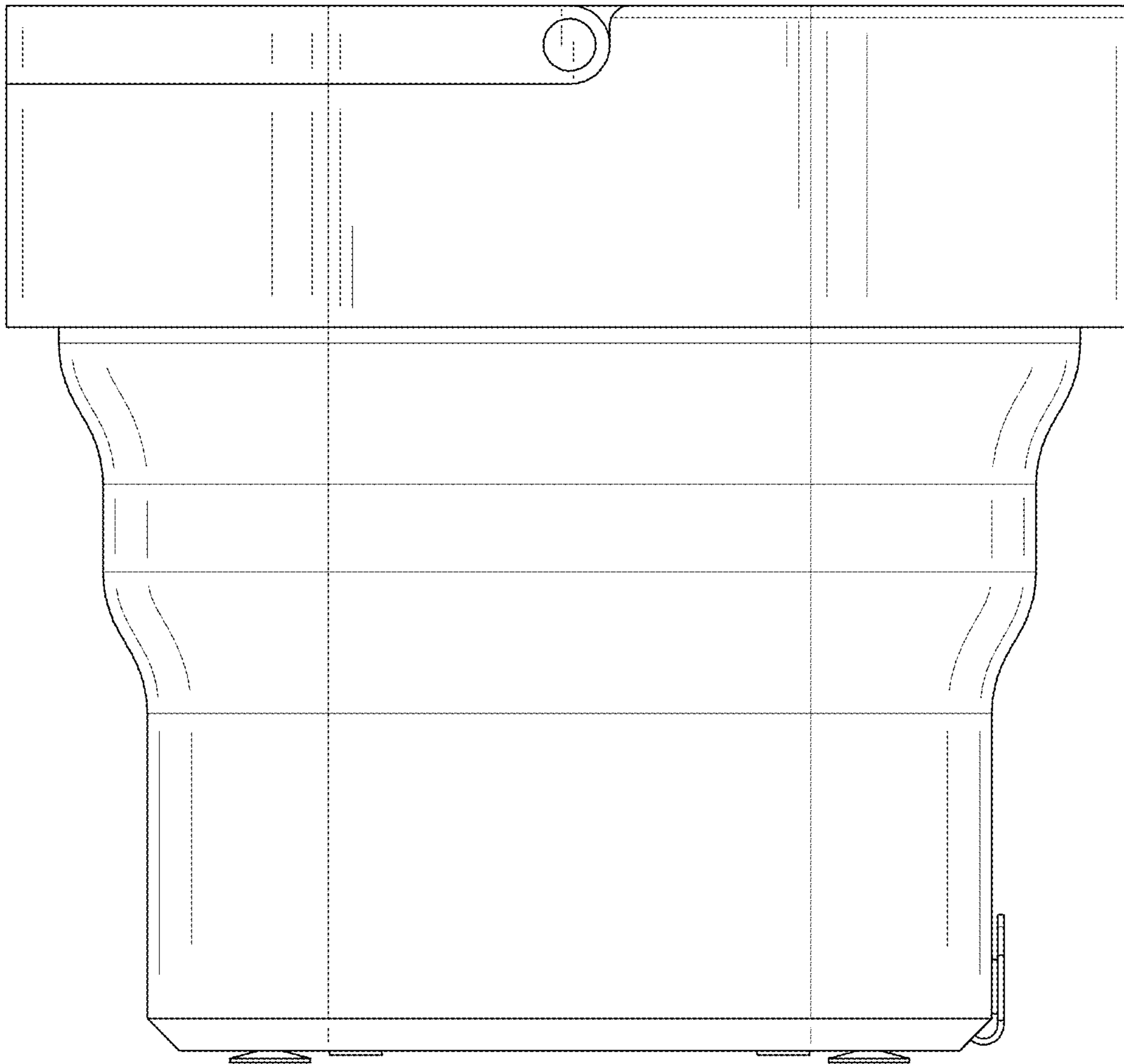


FIG. 6

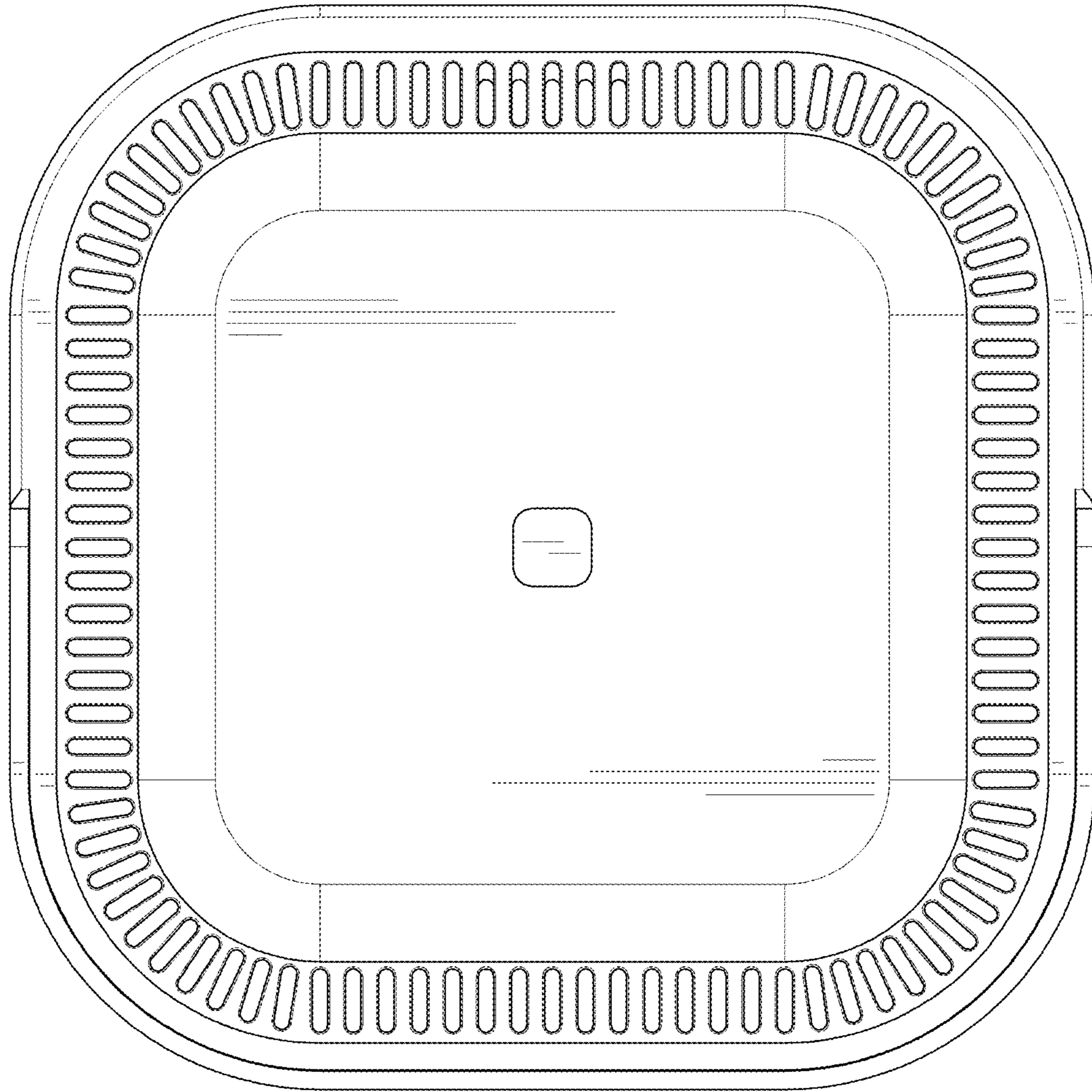


FIG. 7

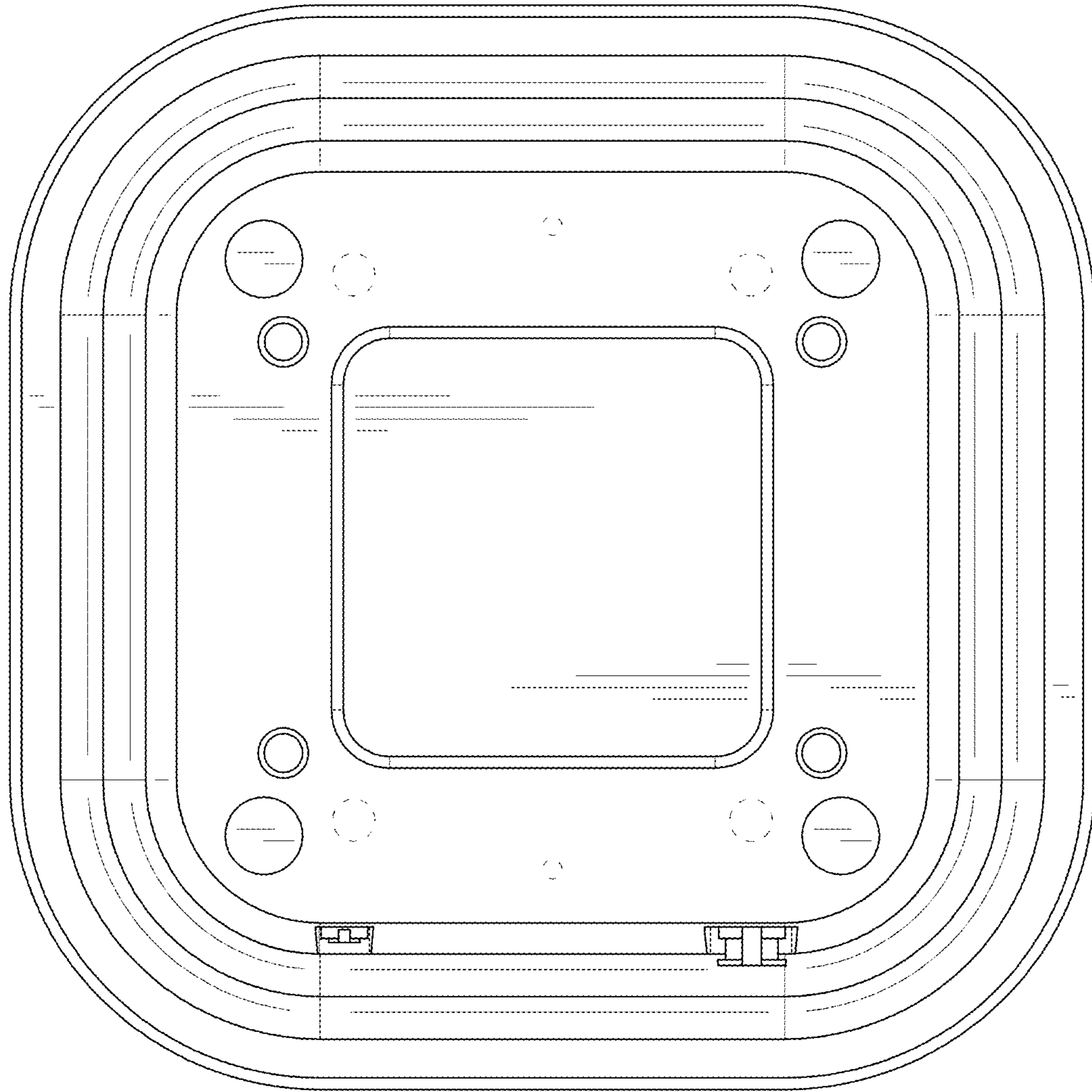


FIG. 8

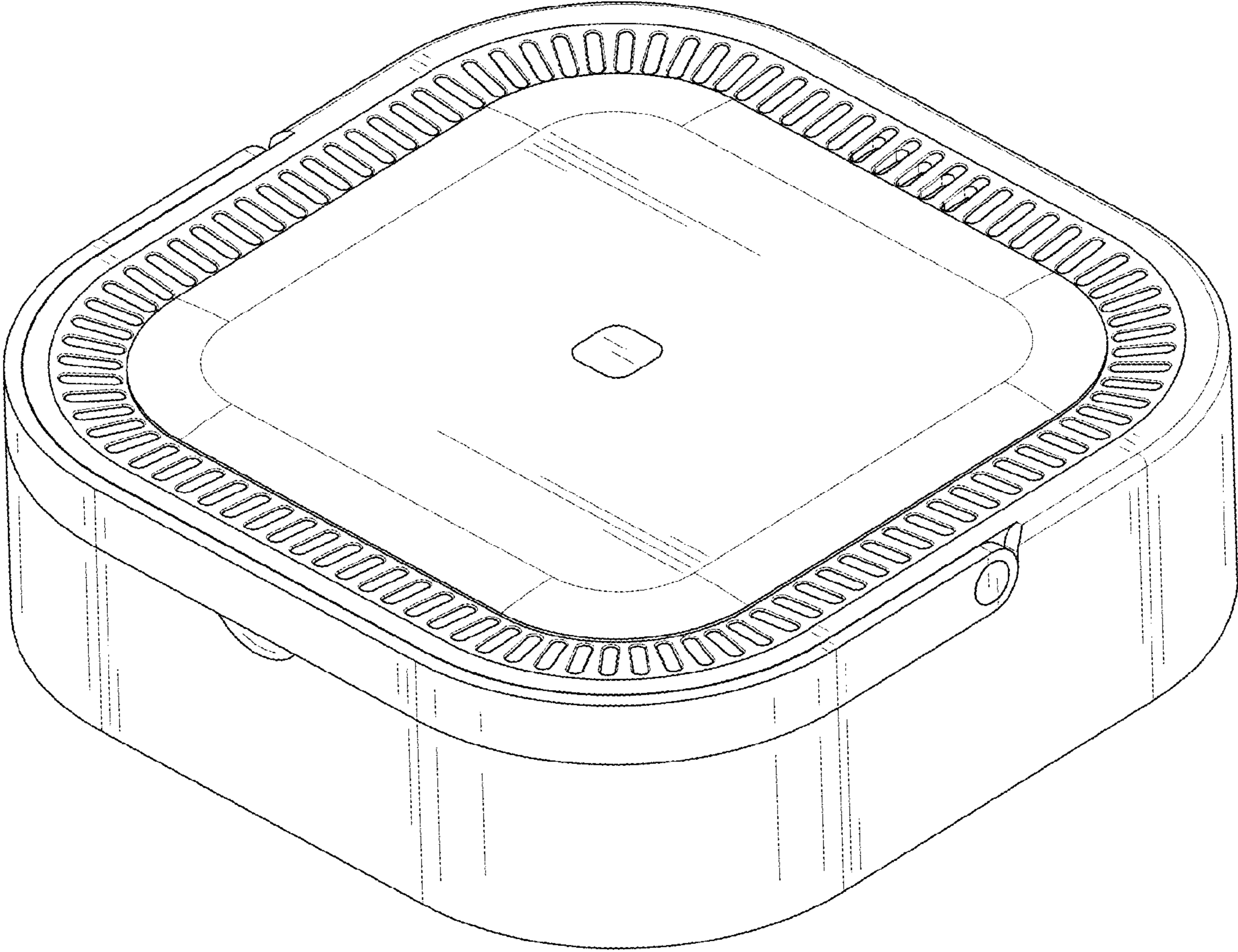


FIG. 9

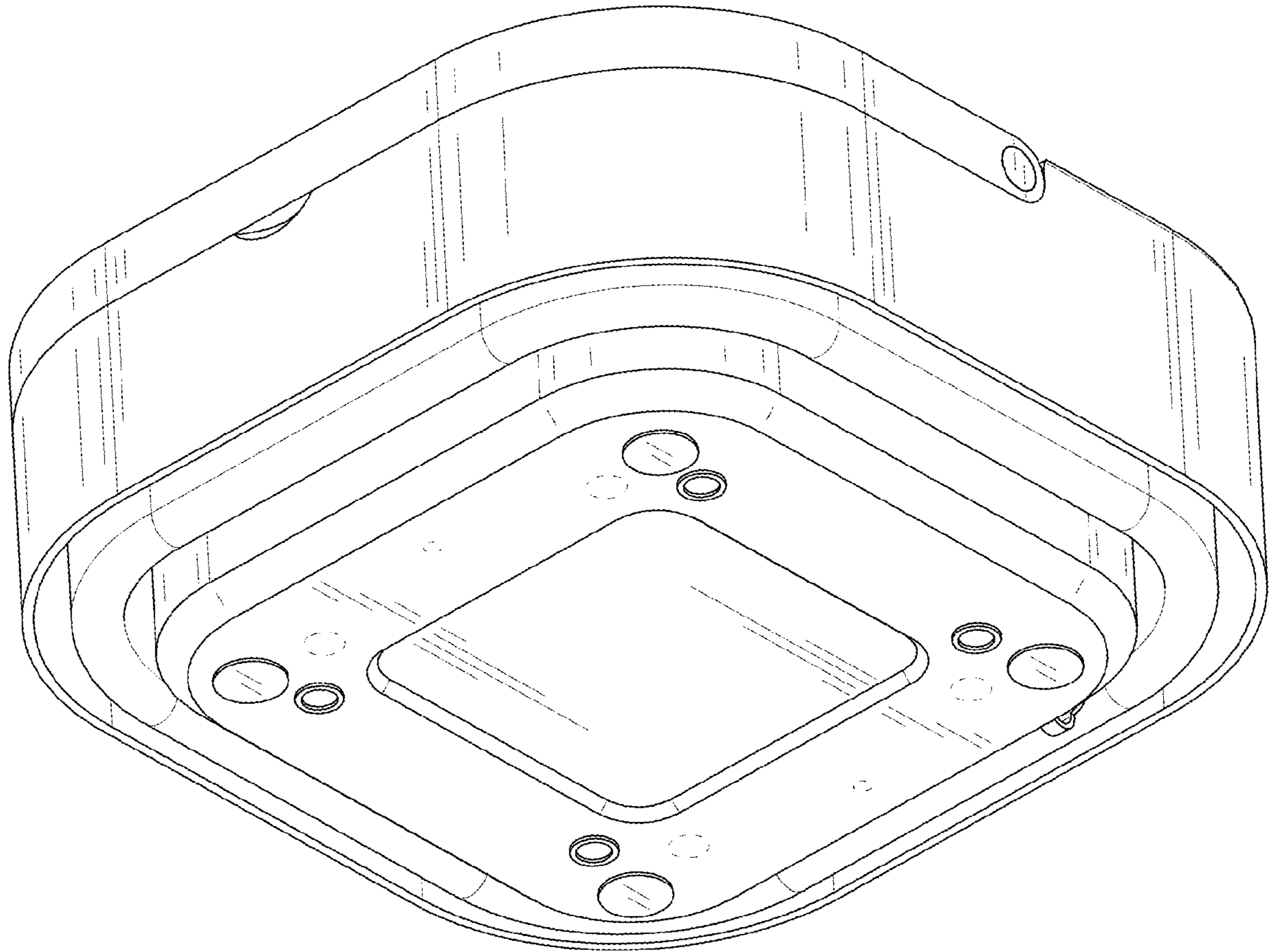


FIG. 10