



US00D970829S

(12) **United States Design Patent**
Hammer et al.

(10) **Patent No.:** **US D970,829 S**

(45) **Date of Patent:** **** Nov. 22, 2022**

(54) **ANIMAL SUPPORT**

(71) Applicants: **Lisa M. Hammer**, Bradenton, FL (US);
Timothy W. Keeton, Bradenton, FL
(US)

(72) Inventors: **Lisa M. Hammer**, Bradenton, FL (US);
Timothy W. Keeton, Bradenton, FL
(US)

(**) **Term:** **15 Years**

(21) **Appl. No.:** **29/689,401**

(22) **Filed:** **Apr. 29, 2019**

(51) **LOC (13) Cl.** **30-99**

(52) **U.S. Cl.**
USPC **D30/199**

(58) **Field of Classification Search**
USPC D30/144, 151, 152, 160, 199;
119/722-729, 792, 751, 516, 738;
5/83.1; 452/53-56; 601/27, 35; 602/19;
280/62, 63, 65, 43, 47.131, 657, 290;
168/48.1; 403/119; D6/344, 347;
472/119, 120-125; D24/183
CPC A61D 3/00; A61D 2003/006; A61D
2003/003; A61D 9/00; A01K 15/04;
A01K 15/027; A01K 15/02; A01K 15/00;
A61H 3/04; A61H 2003/043; A61H
2003/046; A61H 2203/03; A63G 9/00;
A47D 13/10; A47D 13/105; A47D 13/107
See application file for complete search history.

(56) **References Cited**

U.S. PATENT DOCUMENTS

D566,845 S * 4/2008 Daly D24/183
D588,755 S * 3/2009 Farrell D30/118

D596,298 S * 7/2009 Cox D24/183
7,669,556 B2 * 3/2010 Reusche A01K 1/035
119/485
D627,891 S * 11/2010 Lu D24/183
D683,031 S * 5/2013 Du D24/183
D721,179 S * 1/2015 Matsuda D24/183
D767,767 S * 9/2016 Moerth-Cross D24/183
D787,072 S * 5/2017 Pryce-Jones D24/183
D801,537 S * 10/2017 Gibson D24/183
D948,725 S * 4/2022 Yun D24/183
2007/0215054 A1 * 9/2007 Reusche A01K 1/035
119/28.5
2021/0144953 A1 * 5/2021 Jensen B62J 7/06

* cited by examiner

Primary Examiner — Susan Moon Lee

(74) *Attorney, Agent, or Firm* — Dorothy S. Morse

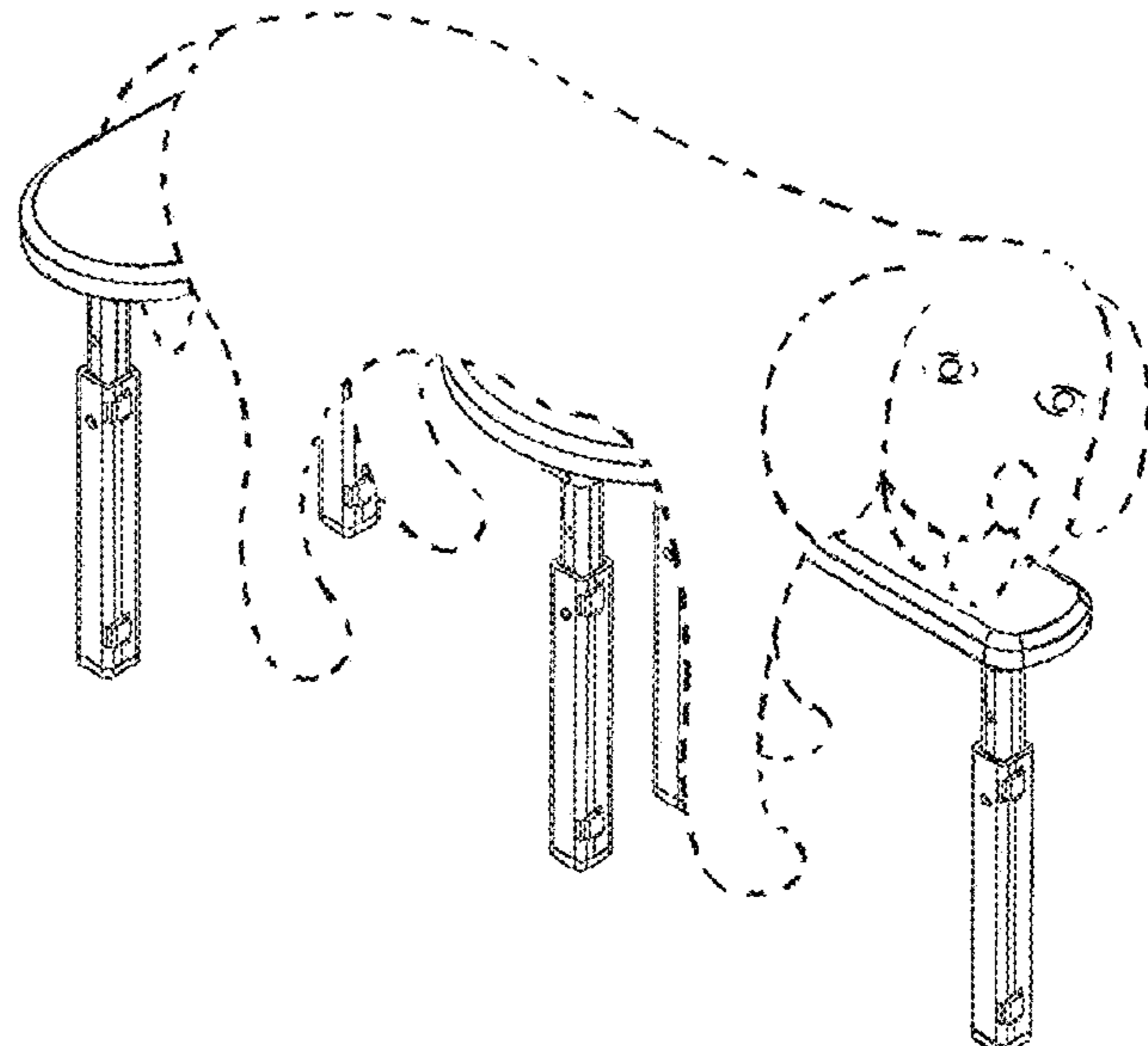
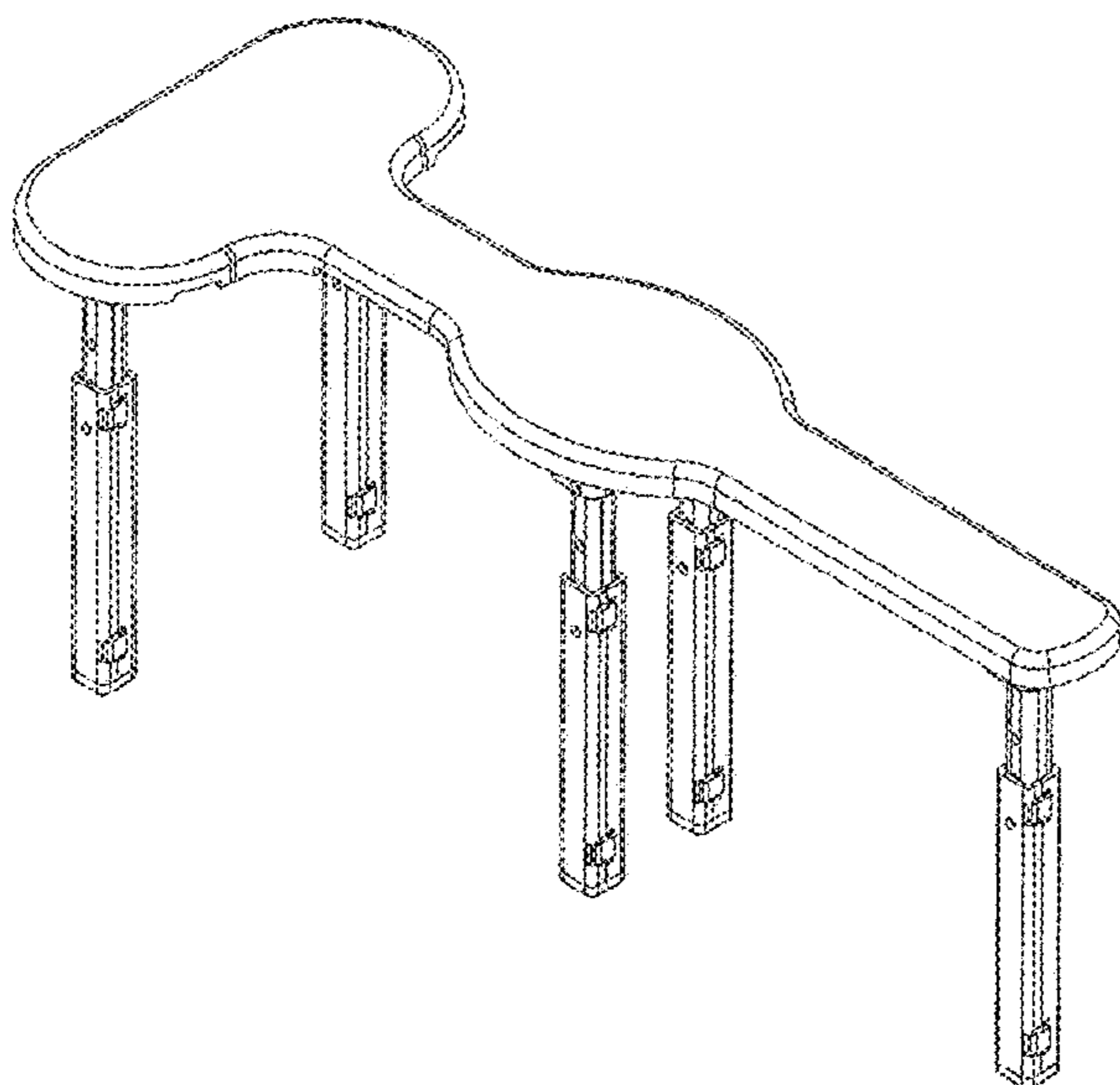
(57) **CLAIM**

The ornamental design for an animal support, as shown and described.

DESCRIPTION

FIG. 1 is a side perspective view of the bottom of an animal support according to our new design, shown in its compact configuration from the front;
FIG. 2 is a side perspective view of the bottom thereof, shown in its compact configuration from the back;
FIG. 3 is a bottom perspective view thereof, shown in an extended configuration of use;
FIG. 4 is top perspective view thereof, shown in an extended configuration of use; and,
FIG. 5 is a perspective view thereof in use.
The broken line showing of a dog in FIG. 5 is for illustrative purposes only and forms no part of the design claim.

1 Claim, 4 Drawing Sheets



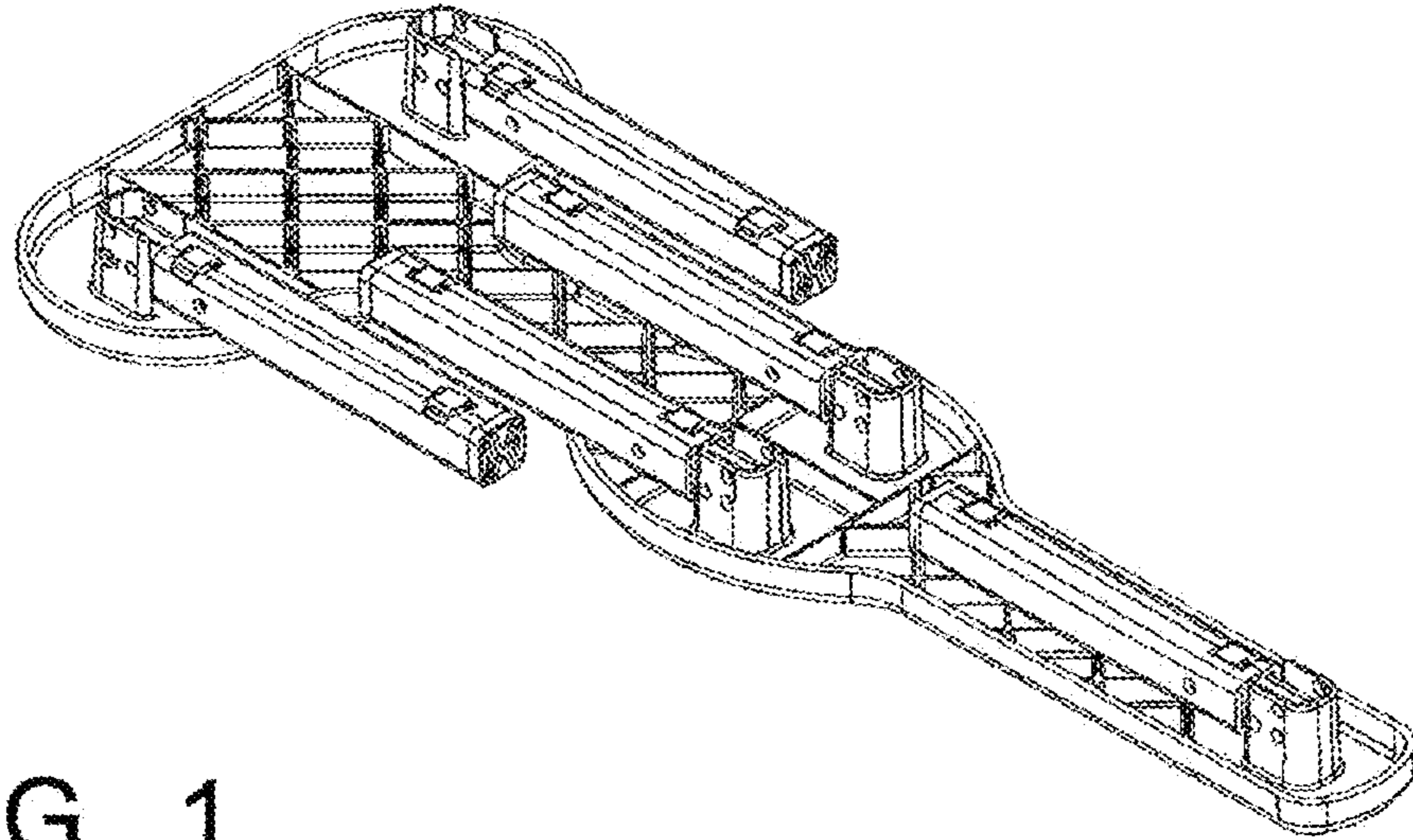


FIG. 1

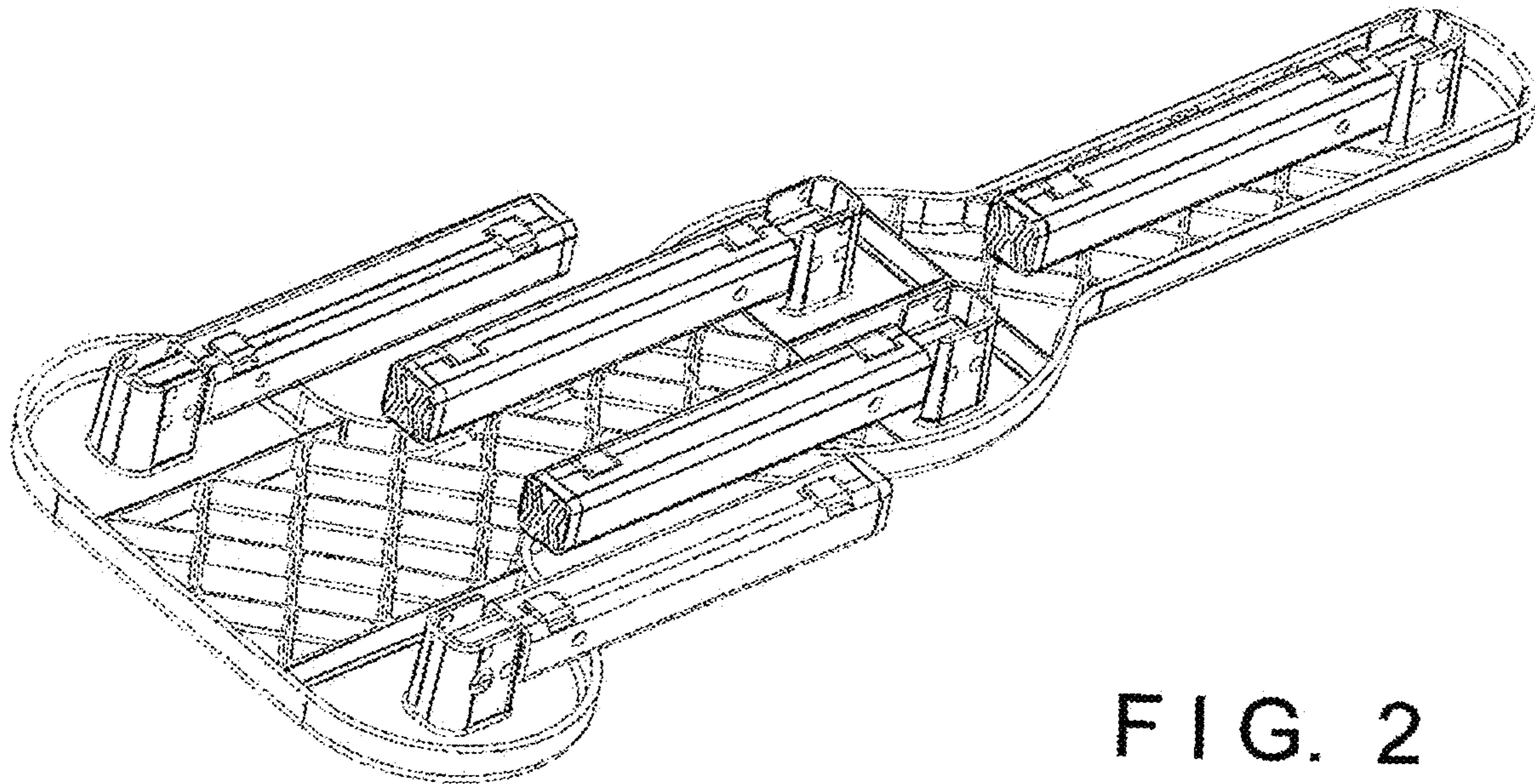


FIG. 2

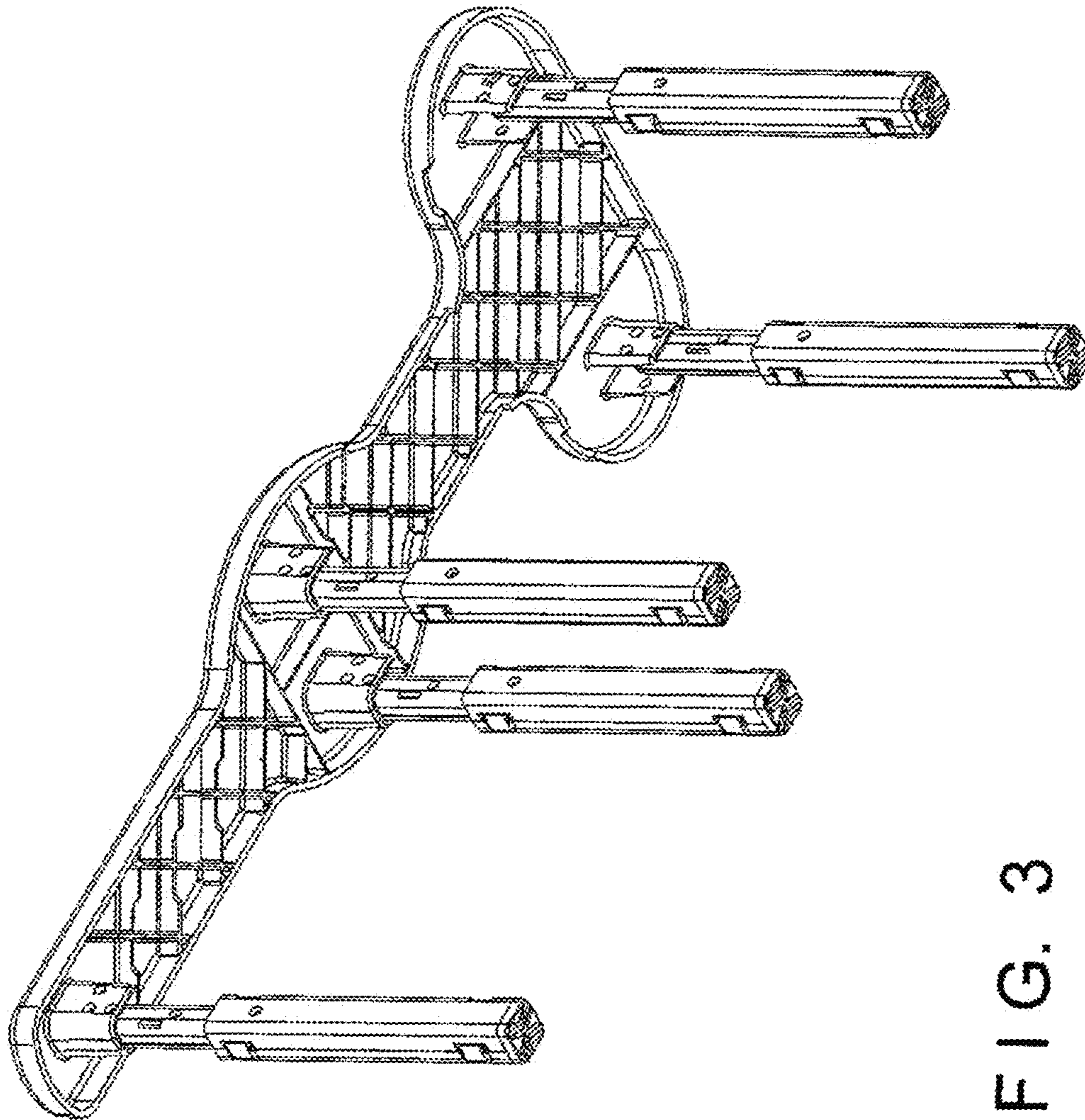


FIG. 3

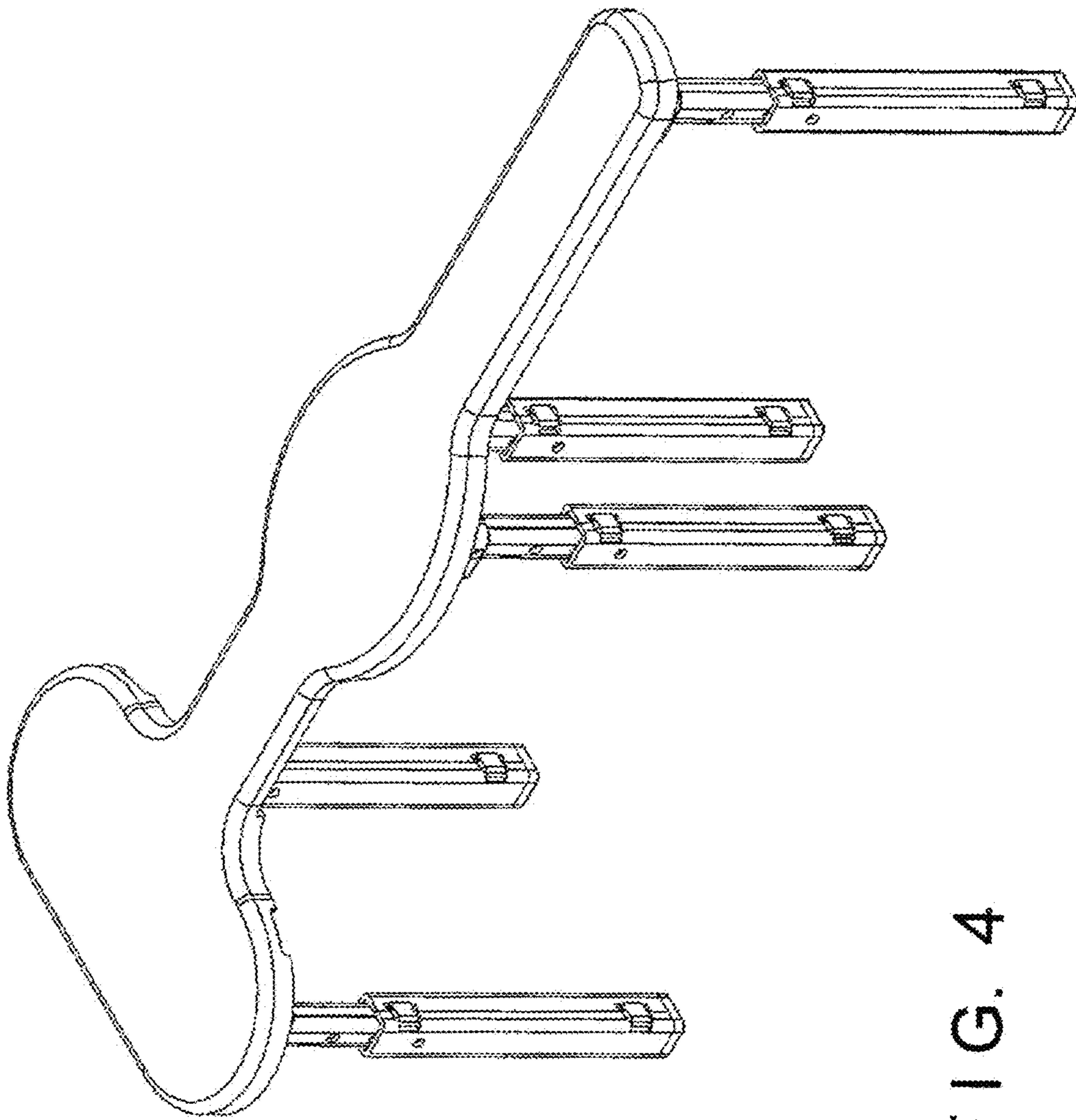


FIG. 4

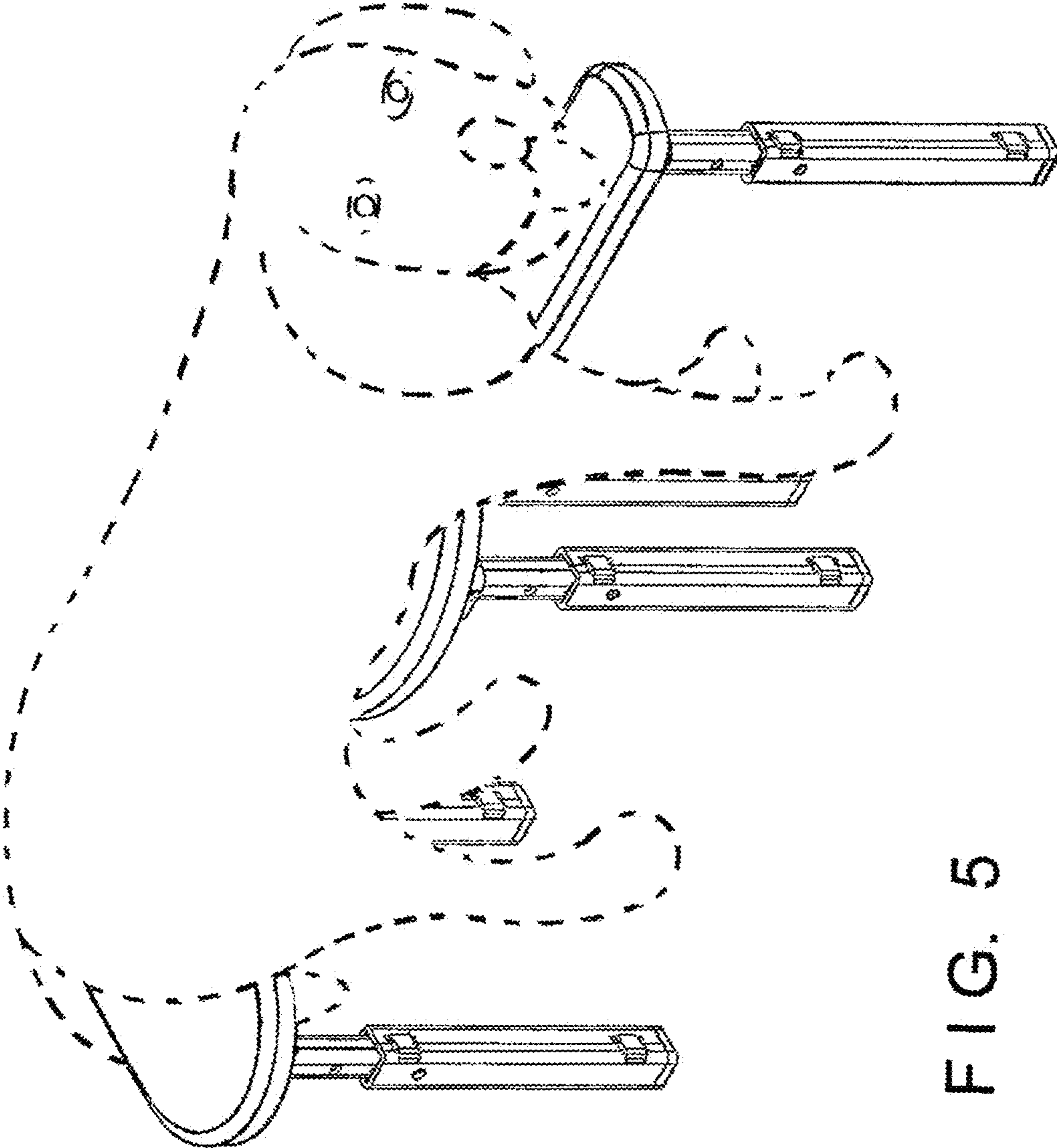


FIG. 5