



US00D970827S

(12) **United States Design Patent**  
**Zhuang**

(10) **Patent No.:** **US D970,827 S**

(45) **Date of Patent:** **\*\* Nov. 22, 2022**

- (54) **PET TRAINING RECEIVER**
- (71) Applicant: **Shenzhen Licheng e-commerce Co., Ltd., Shenzhen (CN)**
- (72) Inventor: **Shenghui Zhuang, Gaozhou (CN)**
- (\*\*) Term: **15 Years**
- (21) Appl. No.: **29/836,424**
- (22) Filed: **Apr. 27, 2022**
- (51) **LOC (13) Cl.** ..... **30-04**
- (52) **U.S. Cl.**  
USPC ..... **D30/152; D30/199**
- (58) **Field of Classification Search**  
USPC ..... D30/136–137, 144–145, 151–155, 160, D30/199; D10/104.1, 104.2, 106.1; D11/1–6, 201; D14/137, 144, 155, 188, D14/192, 216–218; D29/100, 101.1, D29/101.2, 101.3, 101.4, 101.5, 124; 119/815, 831–832, 859, 863; 362/104, 362/108  
CPC .. A01K 27/009; A01K 15/021; A01K 15/022; A01K 27/001; A01K 11/008  
See application file for complete search history.

(56) **References Cited**

**U.S. PATENT DOCUMENTS**

- D410,206 S \* 5/1999 Slater ..... D10/104.1
- D417,835 S \* 12/1999 Williams ..... D8/356
- D445,352 S \* 7/2001 So ..... D30/199
- D478,830 S \* 8/2003 So ..... D30/152
- D478,831 S \* 8/2003 So ..... D10/104.1
- D526,590 S \* 8/2006 So ..... D10/104.1
- D553,037 S \* 10/2007 Zakharyan ..... D30/152
- 7,845,311 B2 \* 12/2010 So ..... A01K 15/021  
119/859
- D657,098 S \* 4/2012 So ..... D30/152
- D683,915 S \* 6/2013 So ..... D30/152
- D714,498 S \* 9/2014 Khubani ..... D30/152

- D742,817 S \* 11/2015 Lammers-Meis ..... D13/103
- D806,326 S \* 12/2017 Blaska ..... D30/152
- D811,016 S \* 2/2018 Liu
- D812,499 S \* 3/2018 Kuh ..... D10/70
- D817,557 S \* 5/2018 Liu ..... D30/152
- D836,261 S \* 12/2018 Ni
- D858,904 S \* 9/2019 Zinn ..... D10/104.1
- D870,399 S \* 12/2019 Van Curen ..... D30/152
- D895,908 S \* 9/2020 Yan ..... D14/188
- D898,613 S \* 10/2020 Stapleton ..... D11/216
- D919,201 S \* 5/2021 Wang ..... D10/104.1
- D929,682 S \* 8/2021 Li ..... D10/104.1
- D936,919 S \* 11/2021 Luo ..... D10/104.1
- D943,845 S \* 2/2022 Li ..... D10/104.1
- D944,470 S \* 2/2022 Li ..... D10/104.1
- D945,721 S \* 3/2022 Luo ..... D10/104.1
- D950,170 S \* 4/2022 Li ..... D10/104.1
- D952,961 S \* 5/2022 Li ..... D30/152
- D954,015 S \* 6/2022 Chen ..... D14/155

(Continued)

*Primary Examiner* — Andrew T Nemeth

(74) *Attorney, Agent, or Firm* — Rumit Ranjit Kanakia

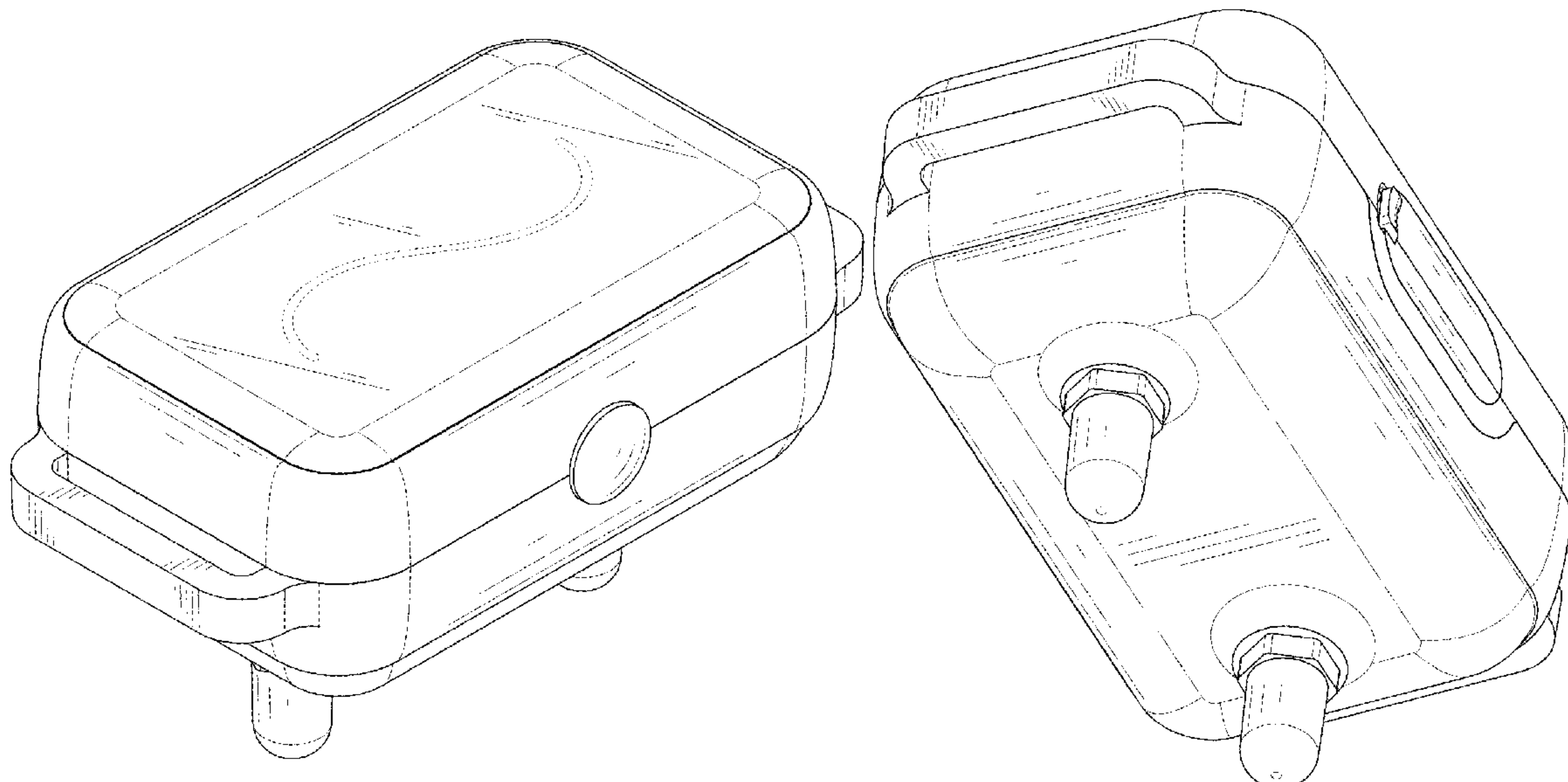
(57) **CLAIM**

The ornamental design for a pet training receiver, as shown and described.

**DESCRIPTION**

FIG. 1 is a first perspective view of a pet training receiver showing my new design;  
 FIG. 2 is a second perspective view thereof;  
 FIG. 3 is a front view thereof;  
 FIG. 4 is a back view thereof;  
 FIG. 5 is a left side view thereof;  
 FIG. 6 is a right side view thereof;  
 FIG. 7 is a top view thereof; and,  
 FIG. 8 is a bottom view thereof.  
 The broken lines shown in the drawings depict portions of the pet training receiver that form no part of the claimed design.

**1 Claim, 8 Drawing Sheets**



(56)

**References Cited**

U.S. PATENT DOCUMENTS

2005/0145200 A1\* 7/2005 Napolez ..... A01K 15/022  
119/718  
2005/0263106 A1\* 12/2005 Steinbacher ..... A01K 27/006  
119/858  
2006/0000194 A1\* 1/2006 Duncan ..... A01K 27/009  
54/71  
2008/0180256 A1\* 7/2008 Caldwell ..... A01K 15/021  
340/573.3  
2011/0030622 A1\* 2/2011 So ..... A01K 15/021  
119/719  
2014/0261233 A1\* 9/2014 So ..... A01K 27/009  
119/720  
2014/0331942 A1\* 11/2014 Sarazyn ..... A01K 29/005  
119/859  
2018/0249680 A1\* 9/2018 Van Curen ..... A01K 15/022  
2020/0015456 A1\* 1/2020 Van Curen ..... A01K 15/022

\* cited by examiner

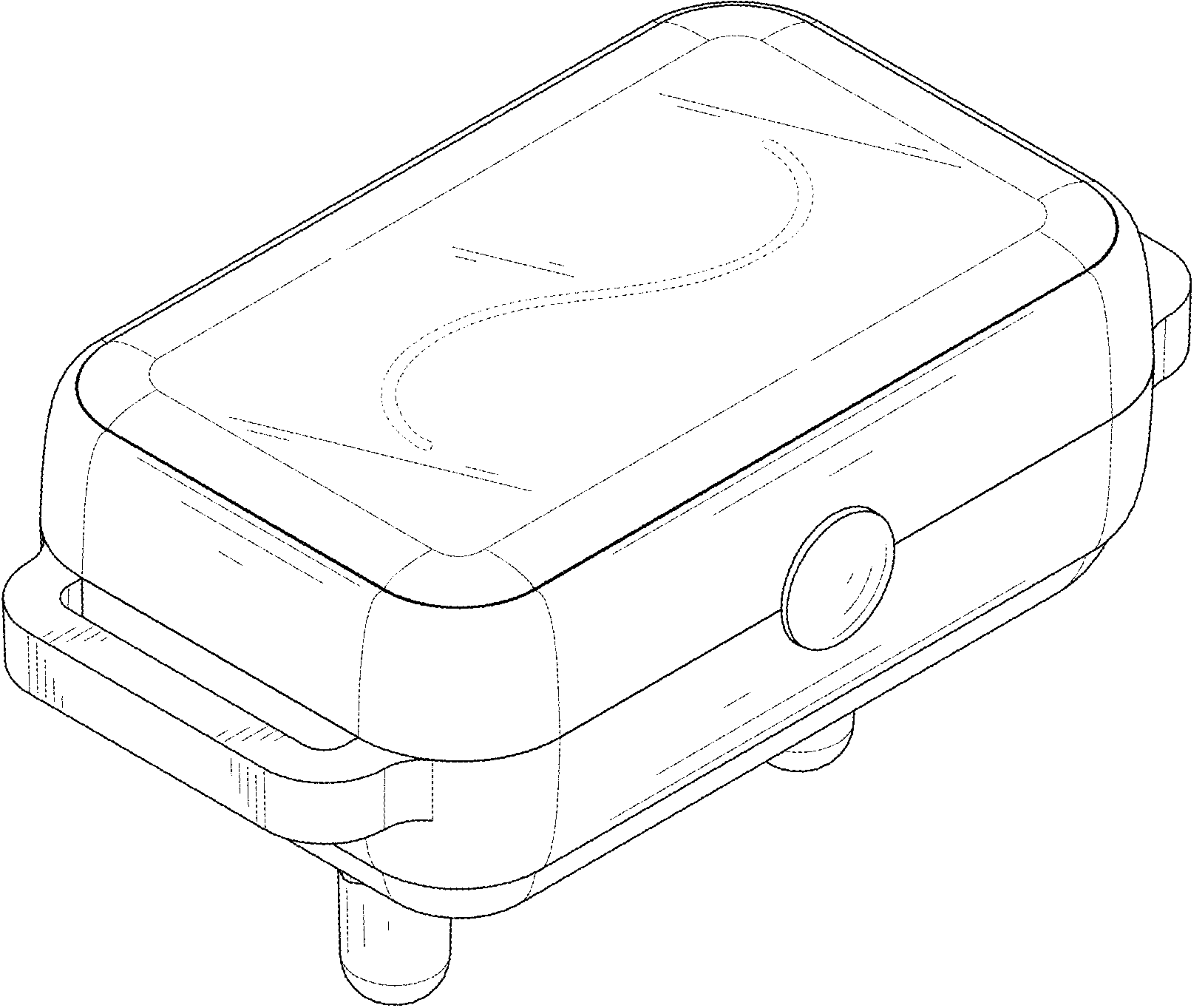


FIG. 1

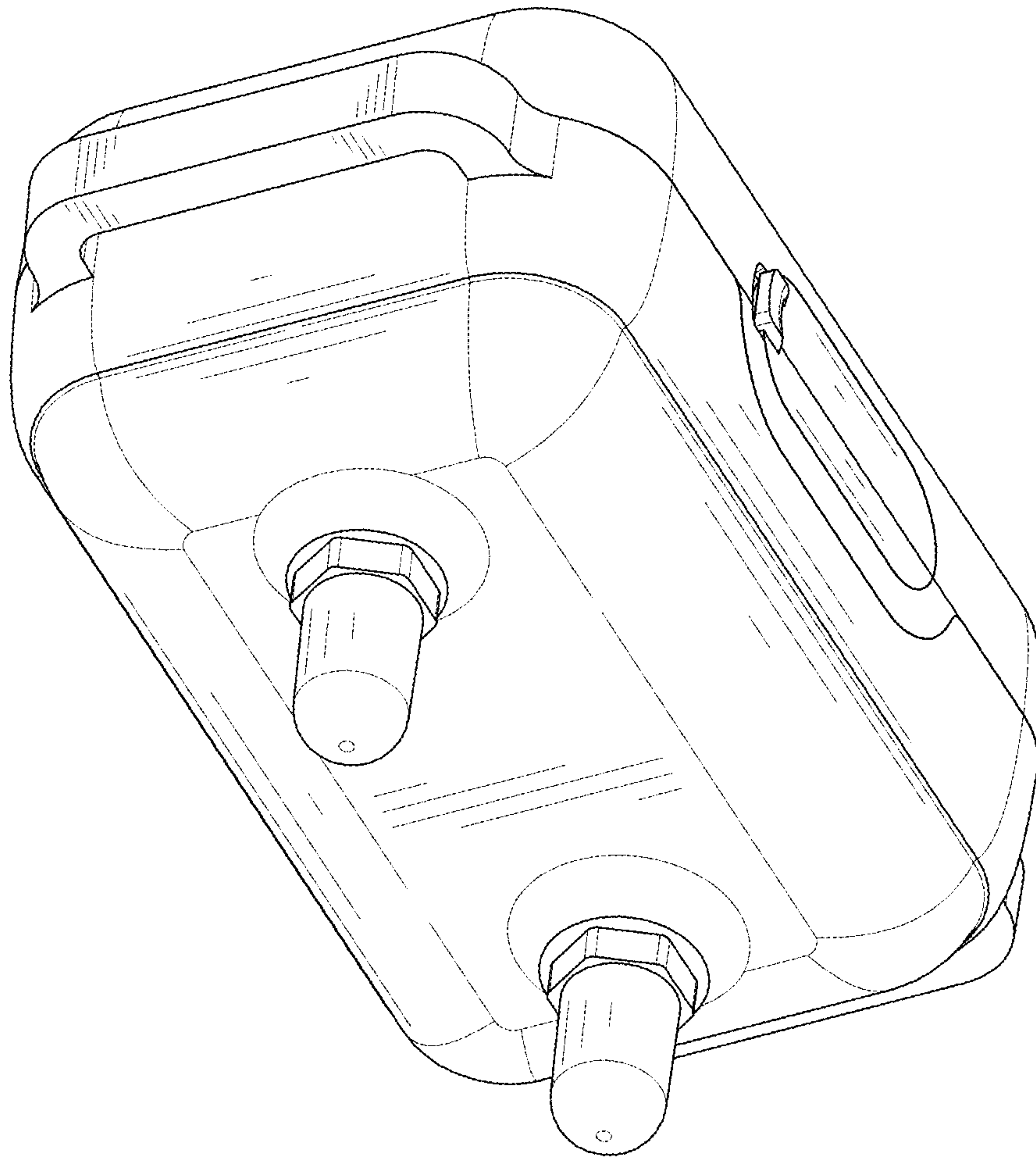


FIG. 2

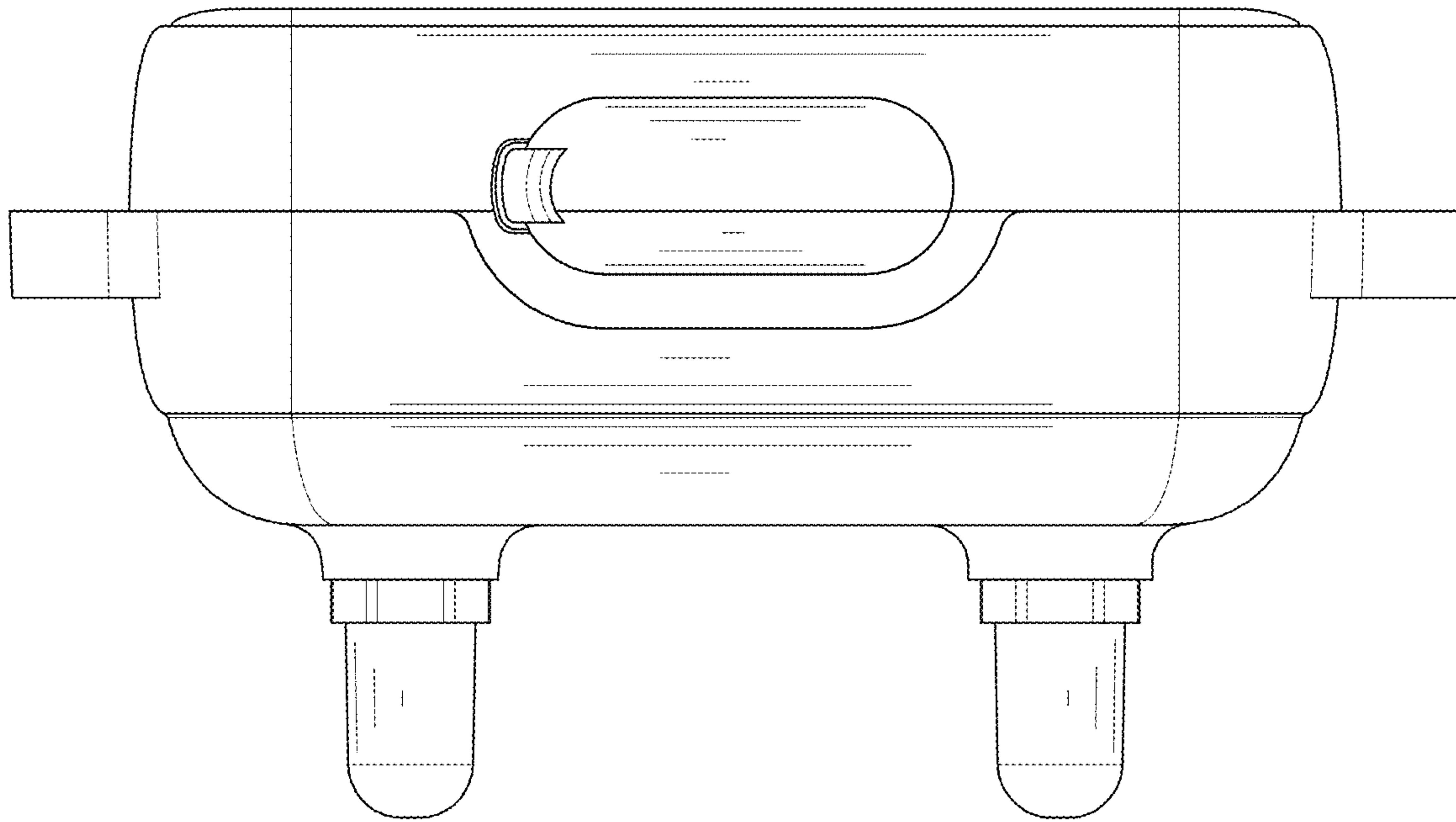


FIG. 3



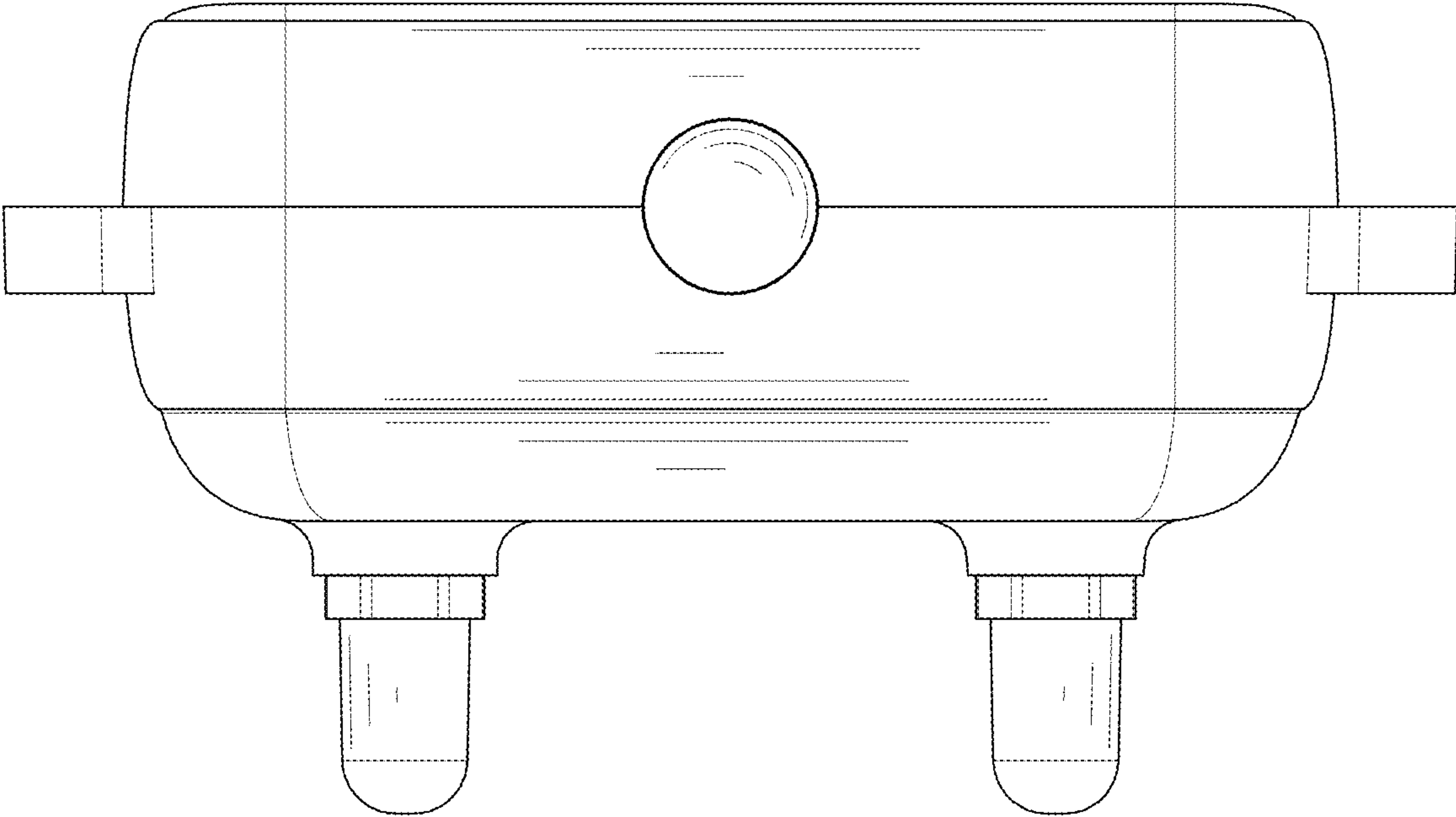


FIG. 4

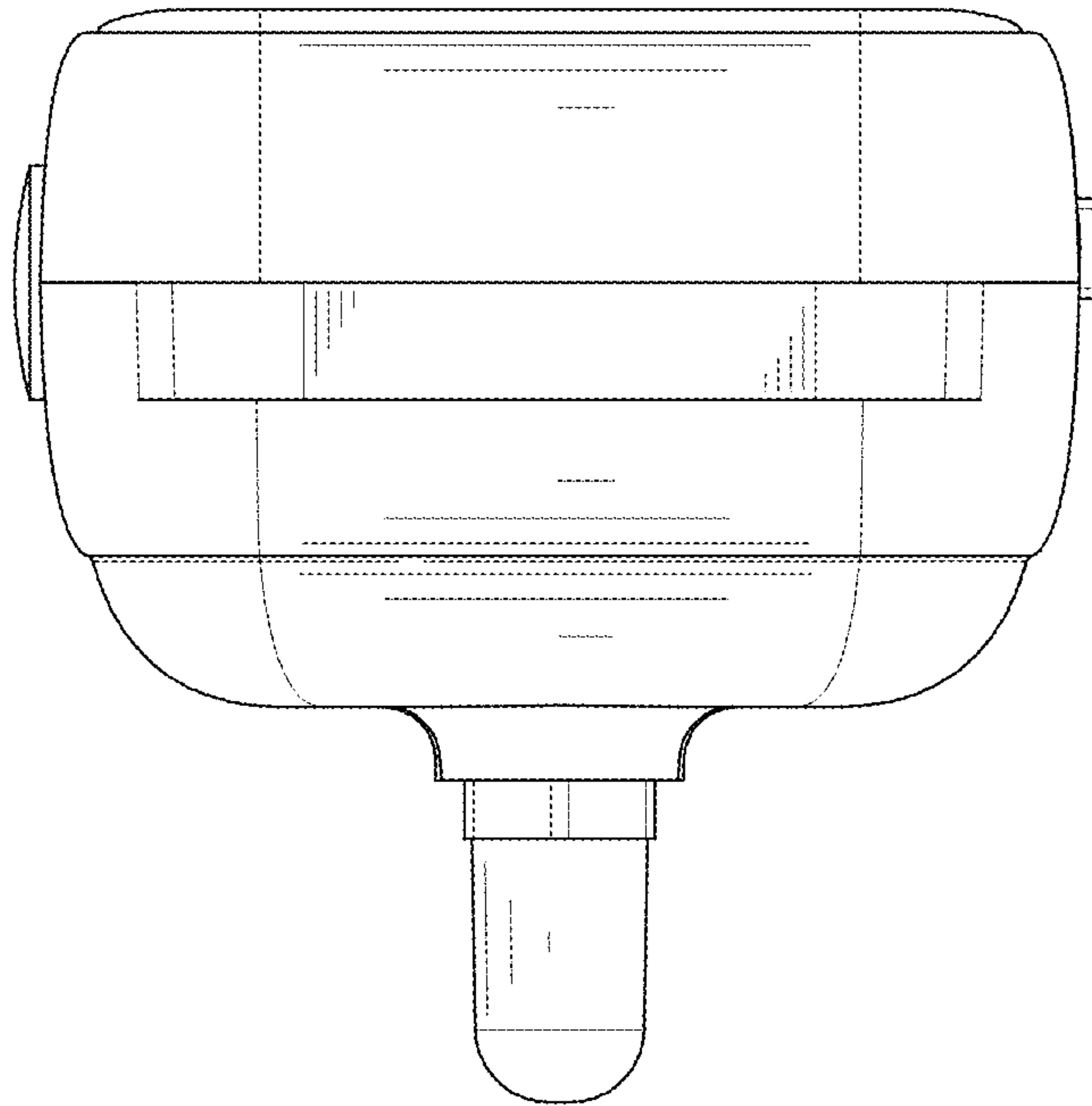


FIG. 5

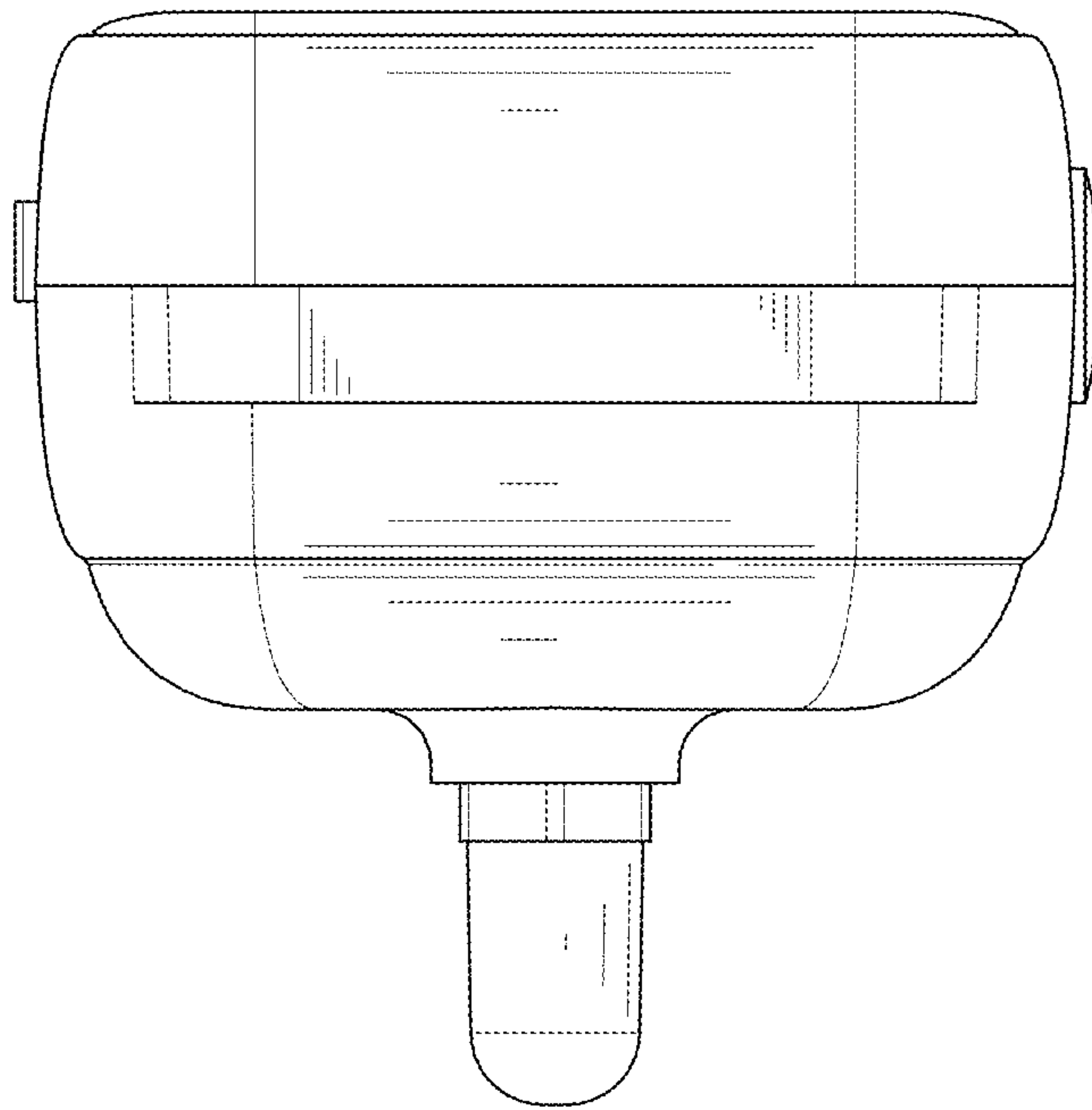


FIG. 6



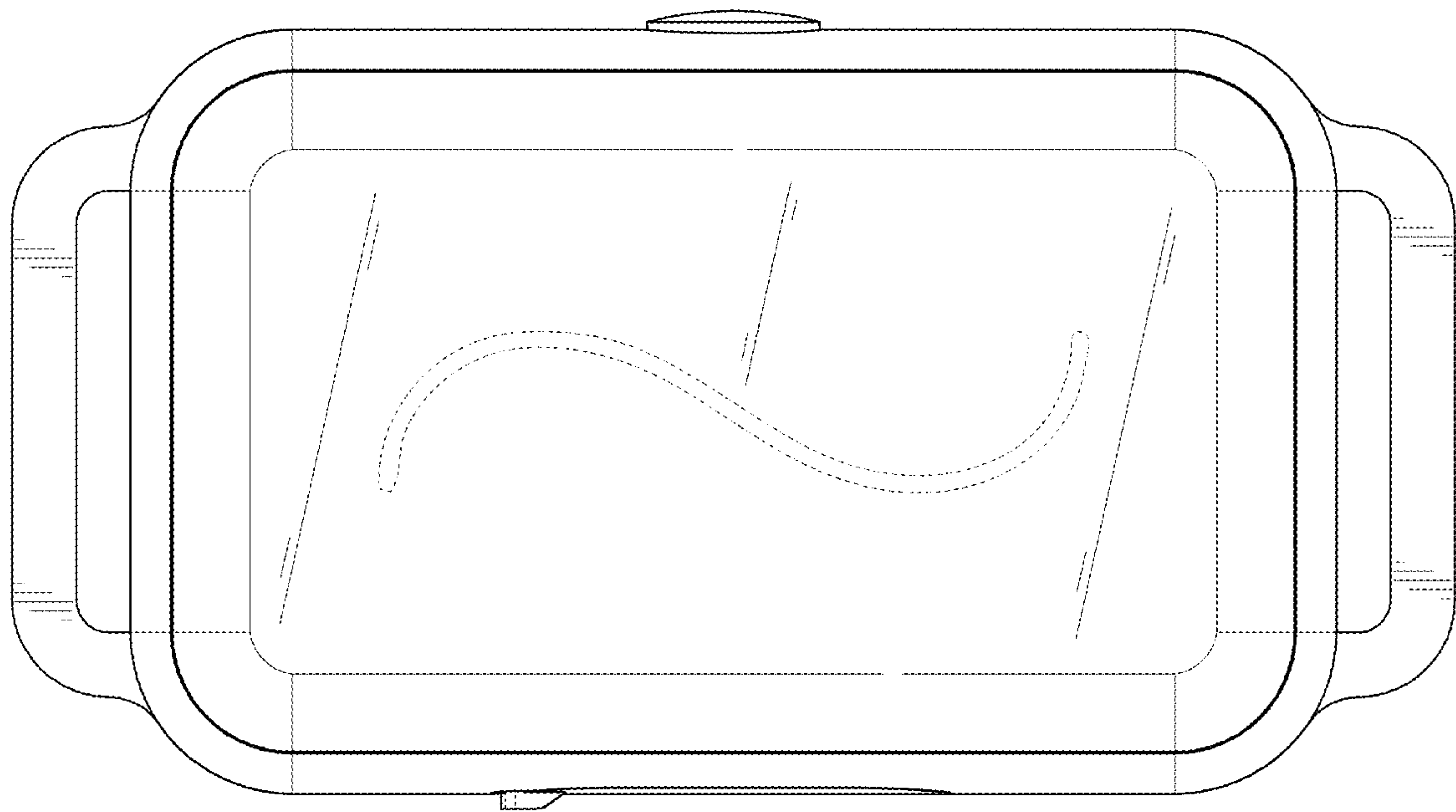


FIG. 7

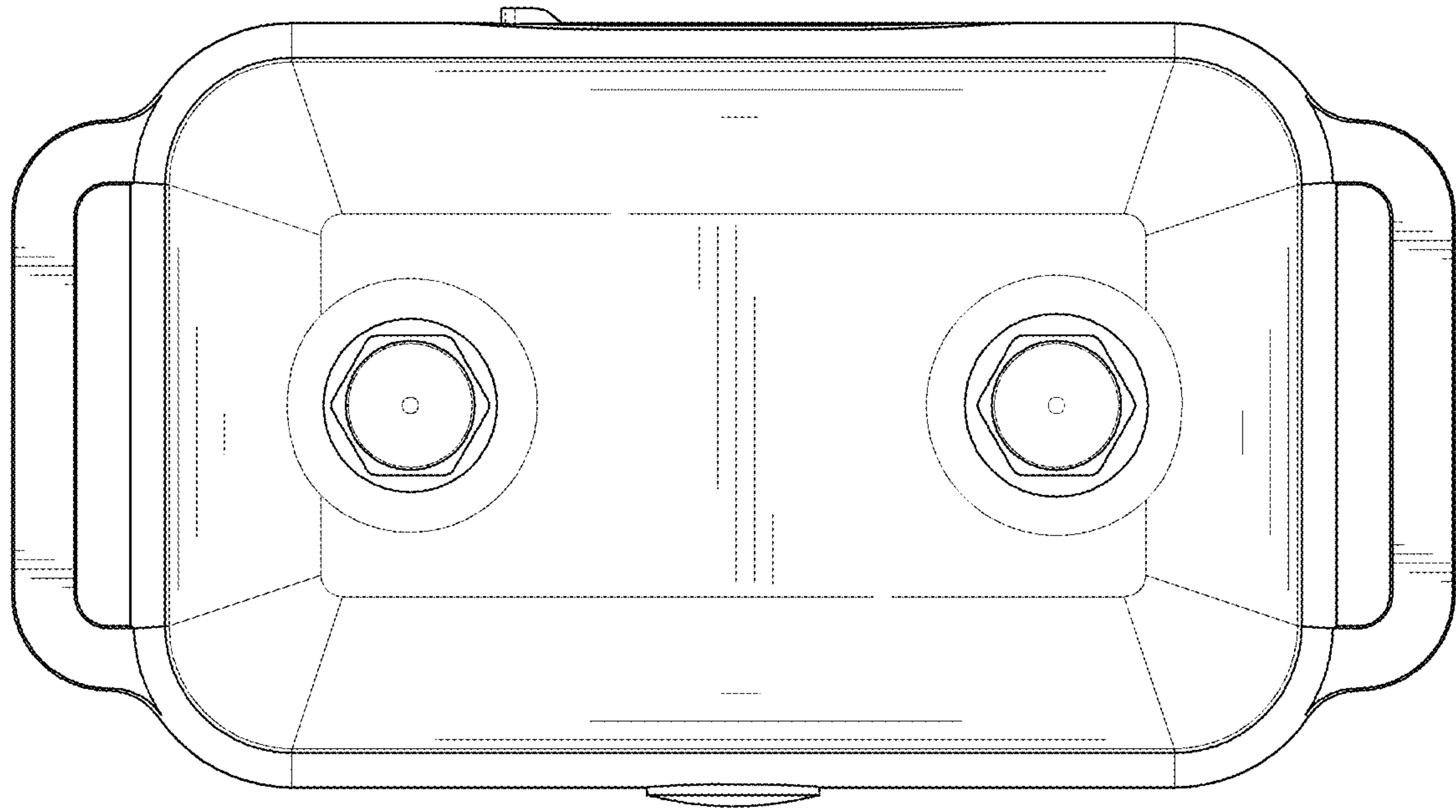


FIG. 8