



US00D970826S

(12) **United States Design Patent**  
**Griffin**

(10) **Patent No.:** **US D970,826 S**

(45) **Date of Patent:** **\*\* Nov. 22, 2022**

(54) **DOG HARNESS**

(71) Applicant: **Ginnette Griffin**, Lynn, MA (US)

(72) Inventor: **Ginnette Griffin**, Lynn, MA (US)

(\*\*) Term: **15 Years**

(21) Appl. No.: **29/768,142**

(22) Filed: **Jan. 27, 2021**

(51) **LOC (13) Cl.** ..... **30-04**

(52) **U.S. Cl.**

USPC ..... **D30/152**; D29/101.1

(58) **Field of Classification Search**

USPC ..... D29/101.1; D30/145, 152, 153

CPC ..... A01K 25/00; A01K 27/00; A01K 27/001;

A01K 27/002; A01K 27/003; A01K

27/004; A01K 27/005

See application file for complete search history.

(56) **References Cited**

U.S. PATENT DOCUMENTS

2,516,004 A \* 7/1950 Kajdan ..... B64D 17/30  
D29/101.1

3,994,264 A \* 11/1976 Flynt ..... A01K 15/04  
119/818

D293,139 S \* 12/1987 Roa ..... D30/152

D310,435 S \* 9/1990 Cleveland ..... D30/152

5,896,831 A \* 4/1999 Alpert ..... A61D 9/00

119/856

D429,386 S \* 8/2000 Tingler ..... D29/101.1

D434,535 S \* 11/2000 Koch ..... D30/152

D454,986 S \* 3/2002 Casebolt ..... D29/101.1

D511,596 S \* 11/2005 Mugford ..... D30/152

D591,011 S \* 4/2009 Madere ..... D30/151

D599,504 S \* 9/2009 Halip ..... D30/152

D632,850 S \* 2/2011 Light ..... D30/152

D638,176 S \* 5/2011 Mugford ..... D30/152

D841,261 S \* 2/2019 Backus ..... D30/152

D938,104 S \* 12/2021 Mugford ..... D30/152

2008/0105216 A1 \* 5/2008 Sporn ..... A01K 27/002

119/863

2008/0177210 A1 \* 7/2008 McDevitt Larson .....

A01K 27/002

119/856

2010/0122667 A1 \* 5/2010 Horgan ..... A01K 27/002

119/856

(Continued)

FOREIGN PATENT DOCUMENTS

CN 306683058 \* 7/2021

KR 300996980 \* 3/2019

OTHER PUBLICATIONS

Ruffwear Doubleback Strength-Rated Belay Dog Harness, available in Amazon.ca, date first available Jan. 2, 2016 [online], [site visited Jun. 27, 2022], Available from the internet URL: <https://www.amazon.ca/Ruffwear-Doubleback-Harness-X-Large-Cloudburst/dp/B012A35OW8?th=1> (Year: 2016).\*

(Continued)

*Primary Examiner* — Jennifer L Rempfer

*Assistant Examiner* — Elizabeth Anne Glassberg

(74) *Attorney, Agent, or Firm* — Daniel N. Smith

(57) **CLAIM**

The ornamental design for a dog harness, as shown and described.

**DESCRIPTION**

FIG. 1 is an isometric view of a dog harness showing my new design;

FIG. 2 is a left-side view thereof;

FIG. 3 is a right-side view thereof;

FIG. 4 is a top view thereof;

FIG. 5 is a bottom view thereof;

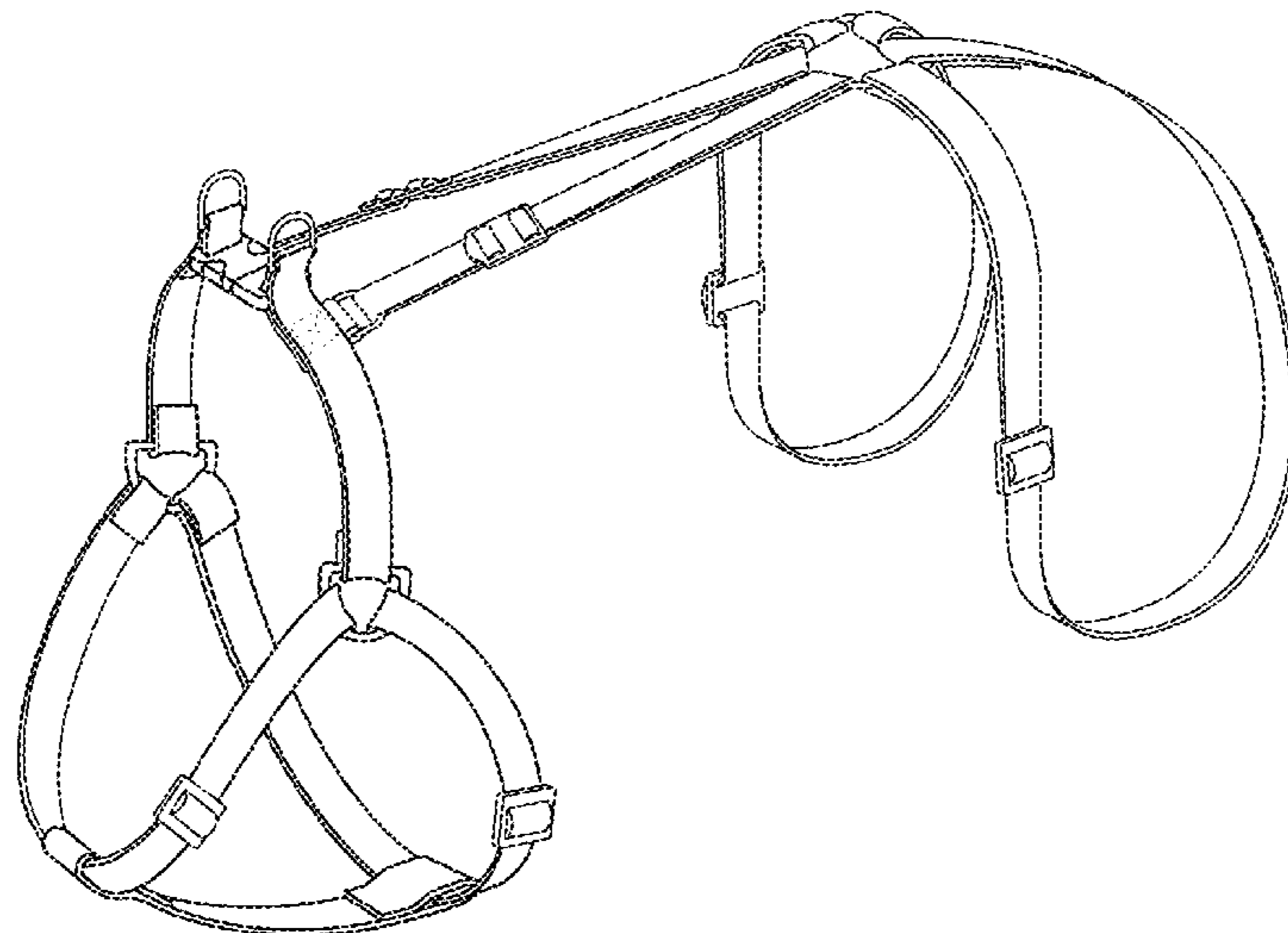
FIG. 6 is a front view thereof;

FIG. 7 is a rear view thereof; and,

FIG. 8 is an isometric view of the dog harness on a dog.

The broken lines on the dog harness illustrate stitching that forms part of the claimed design.

**1 Claim, 5 Drawing Sheets**



(56)

**References Cited**

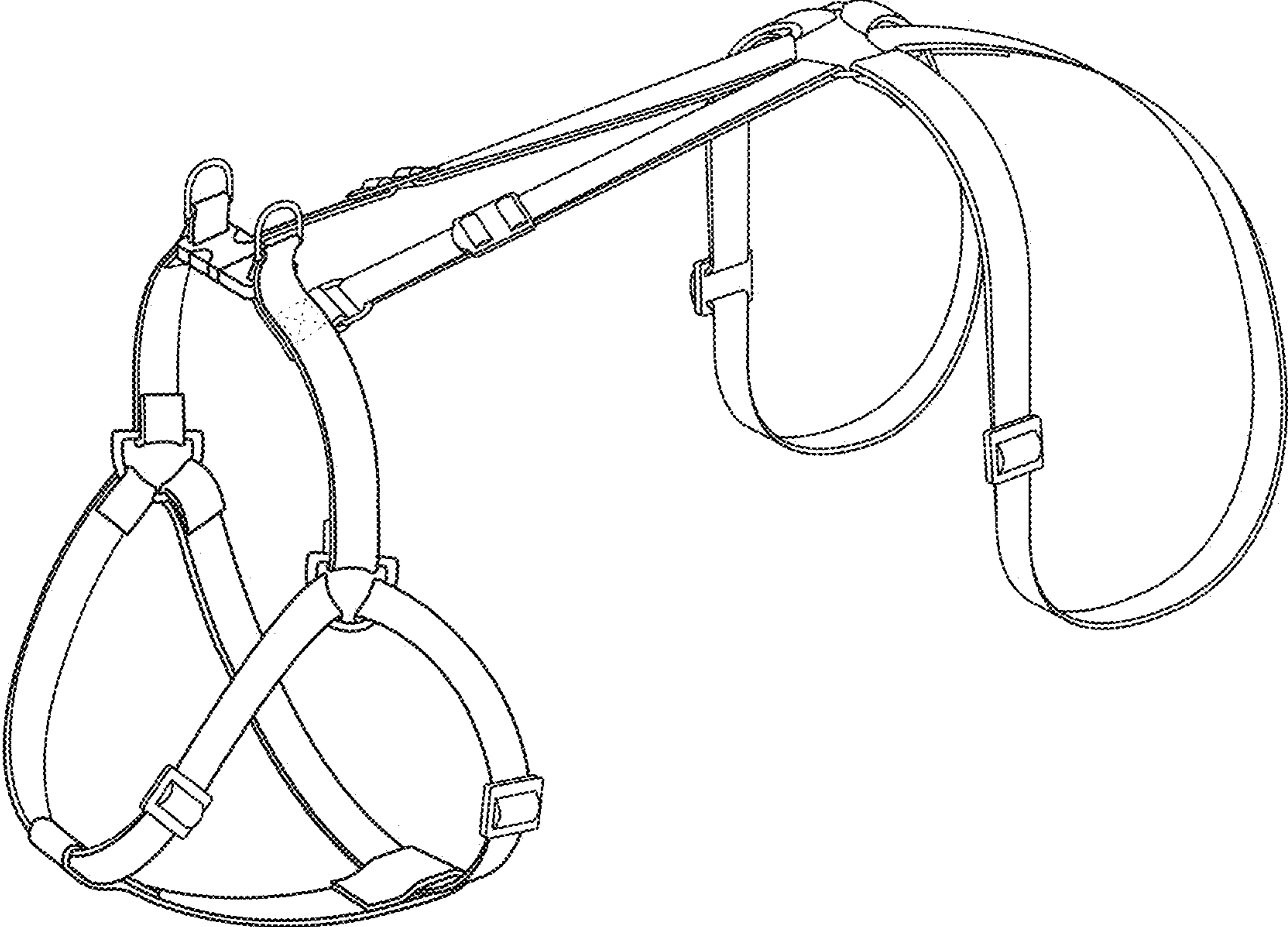
U.S. PATENT DOCUMENTS

2013/0152870 A1\* 6/2013 Lamb ..... A61D 9/00  
119/702  
2013/0213319 A1\* 8/2013 Hoffman ..... A01K 1/0263  
119/792  
2013/0263795 A1\* 10/2013 Ben Yosef ..... A01K 27/002  
119/856  
2014/0174379 A1\* 6/2014 Kissel, Jr. .... A01K 27/002  
119/850  
2015/0114311 A1\* 4/2015 Lynch ..... A01K 27/002  
119/792  
2015/0296748 A1\* 10/2015 Sporn ..... A01K 15/02  
119/863  
2015/0320011 A1\* 11/2015 Thorne ..... A01K 1/0272  
119/858  
2021/0235669 A1\* 8/2021 Rovang ..... A01K 27/002

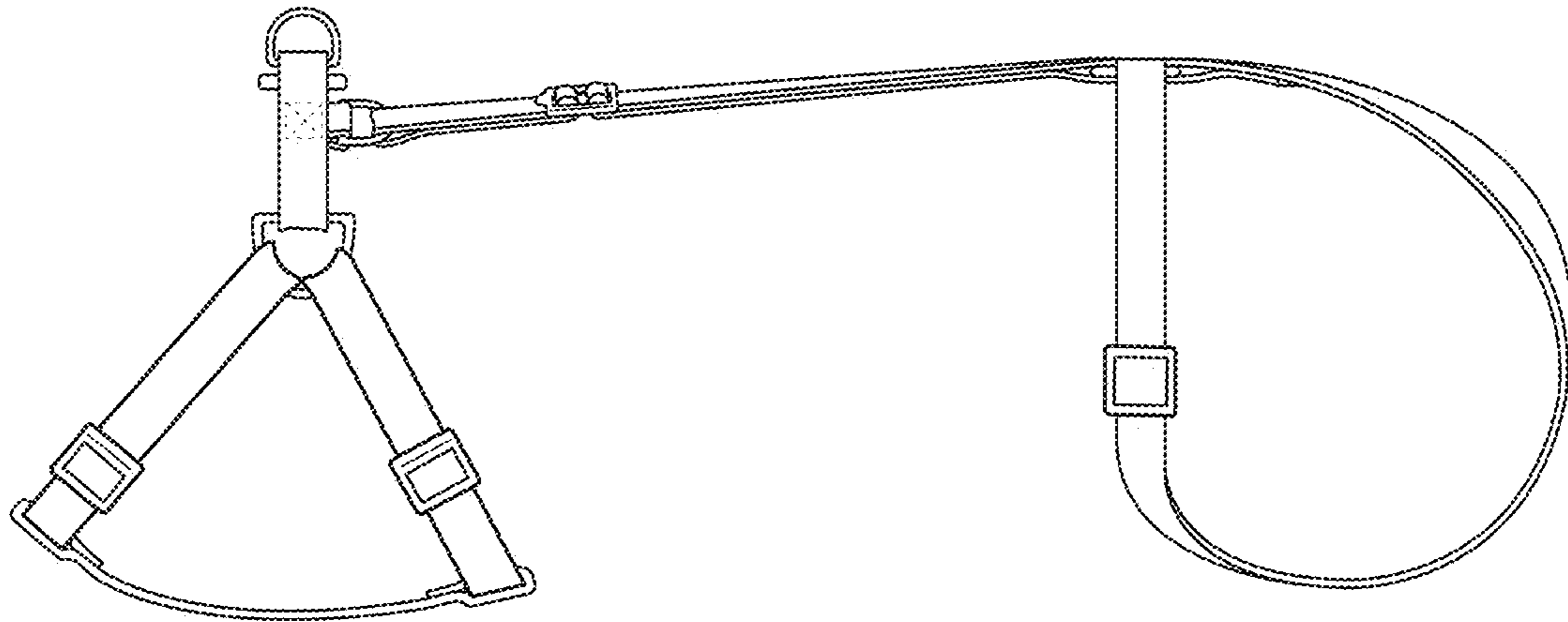
OTHER PUBLICATIONS

Help 'Em Up Harness Fitting Video, announced in YouTube on May 18, 2018 [online], [site visited Jun. 28, 2022], Available from the internet URL: <https://www.youtube.com/watch?v=NN6qa8w2Q-s&t=3s> (Year: 2018).\*

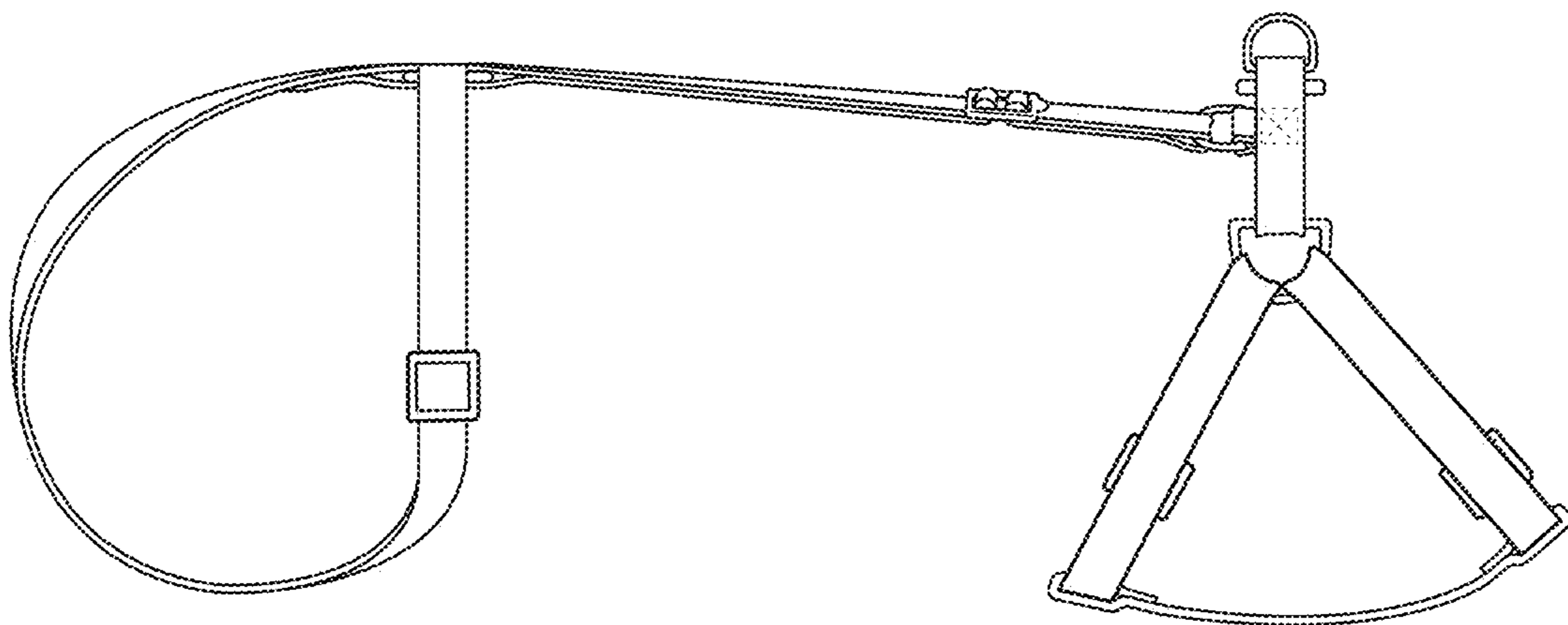
\* cited by examiner



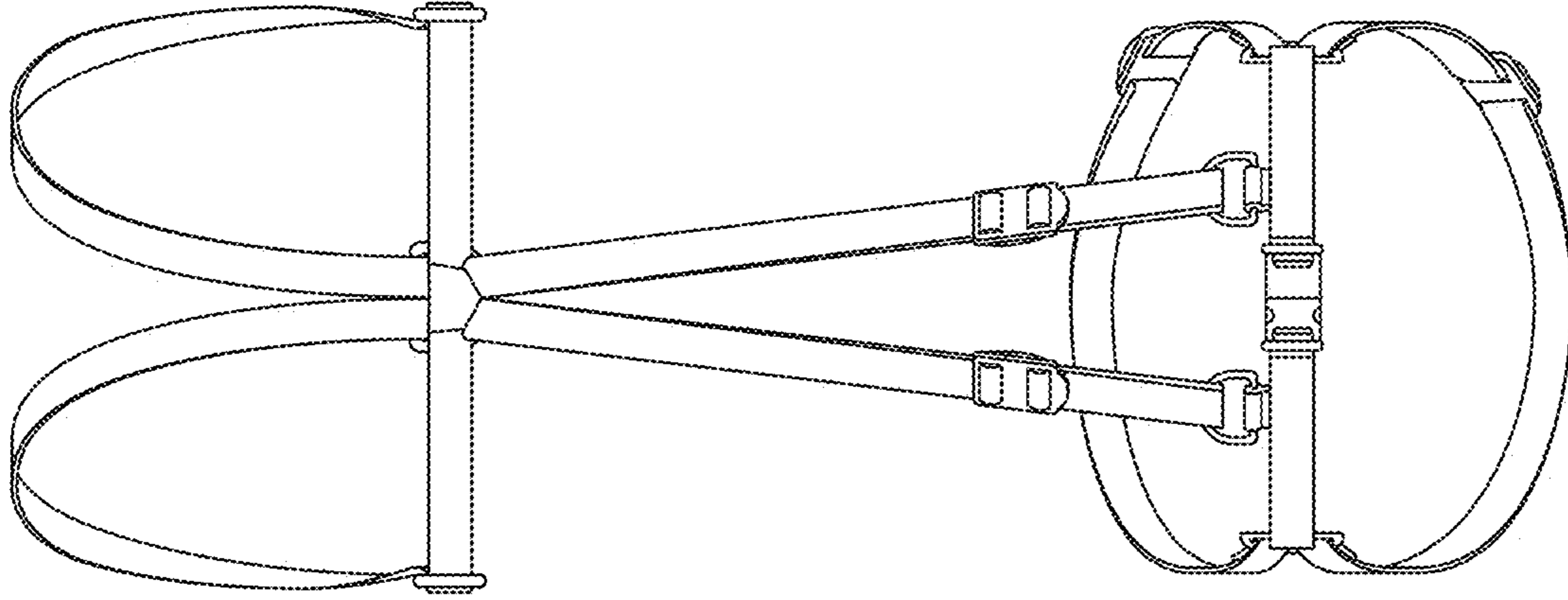
*Fig. 1*



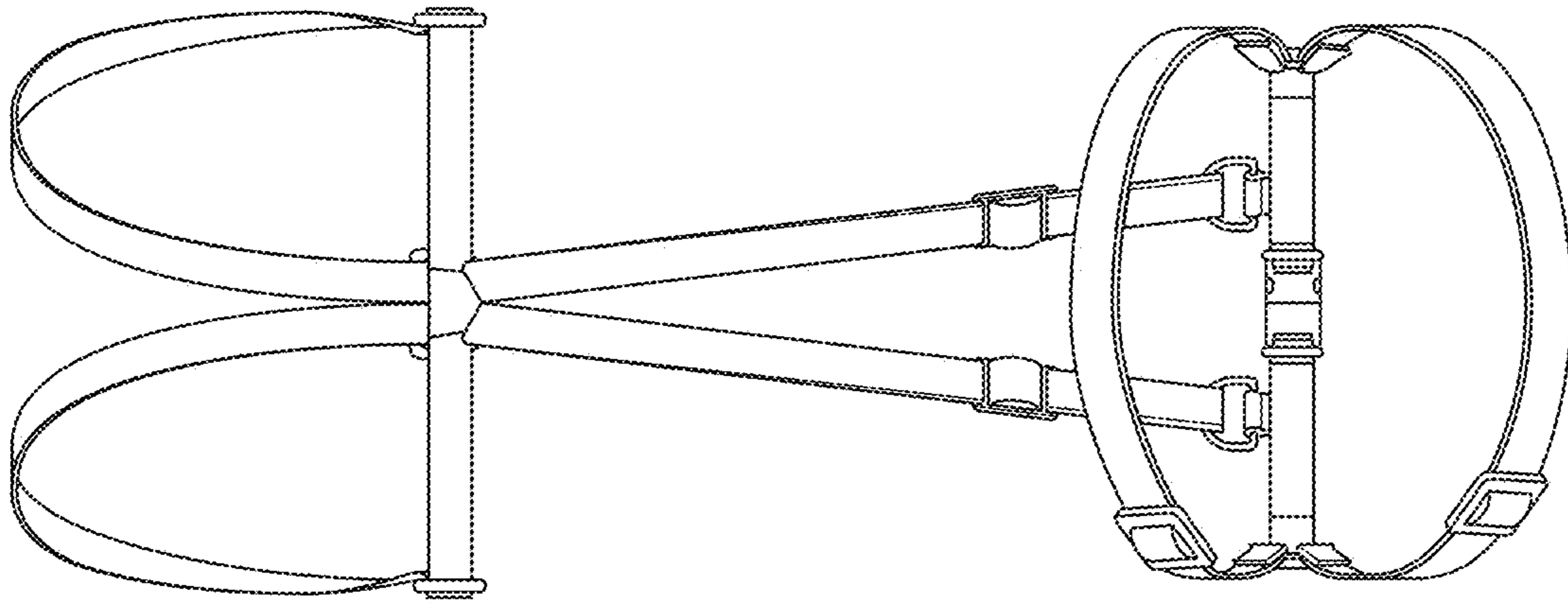
*Fig. 2*



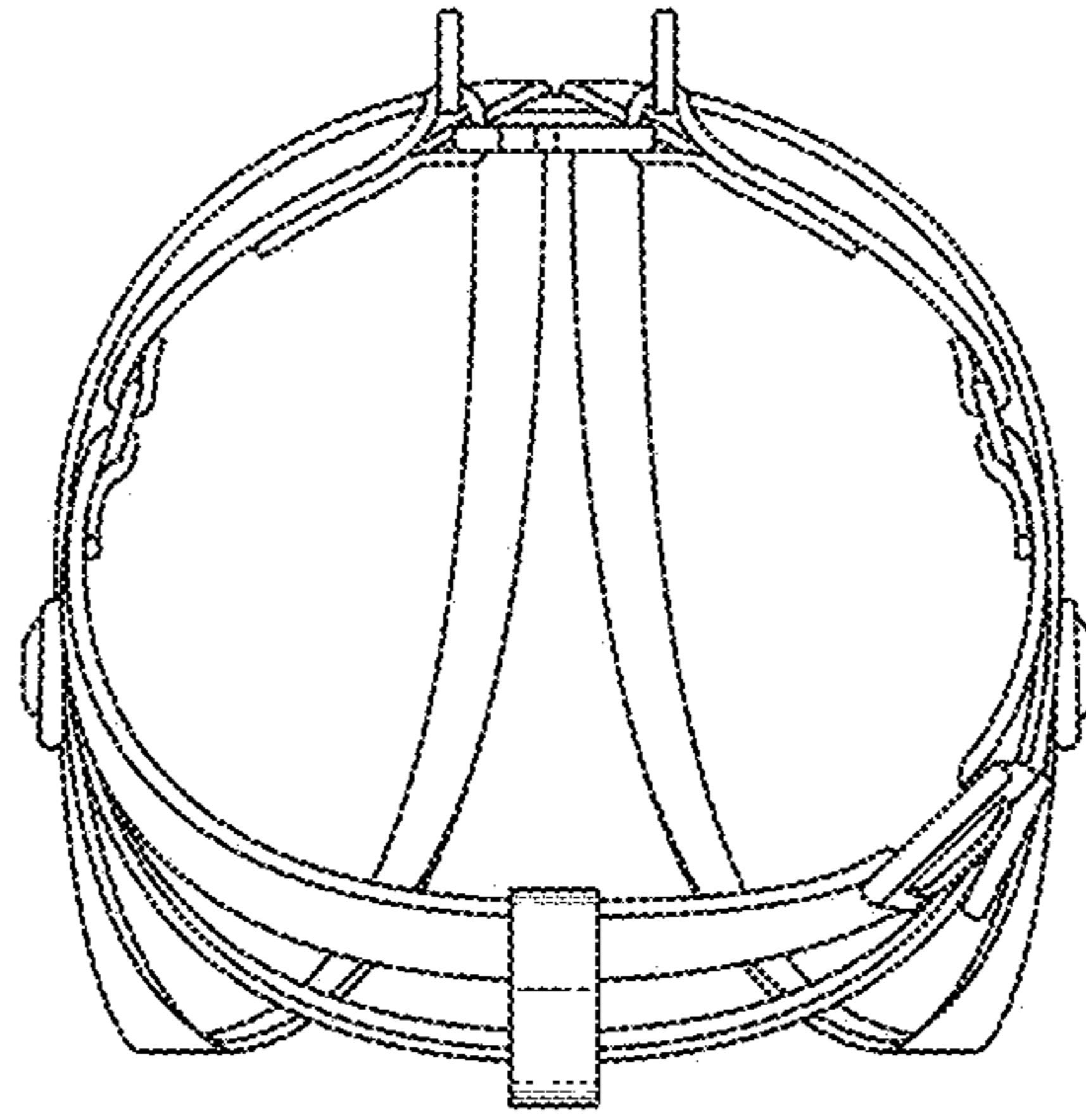
*Fig. 3*



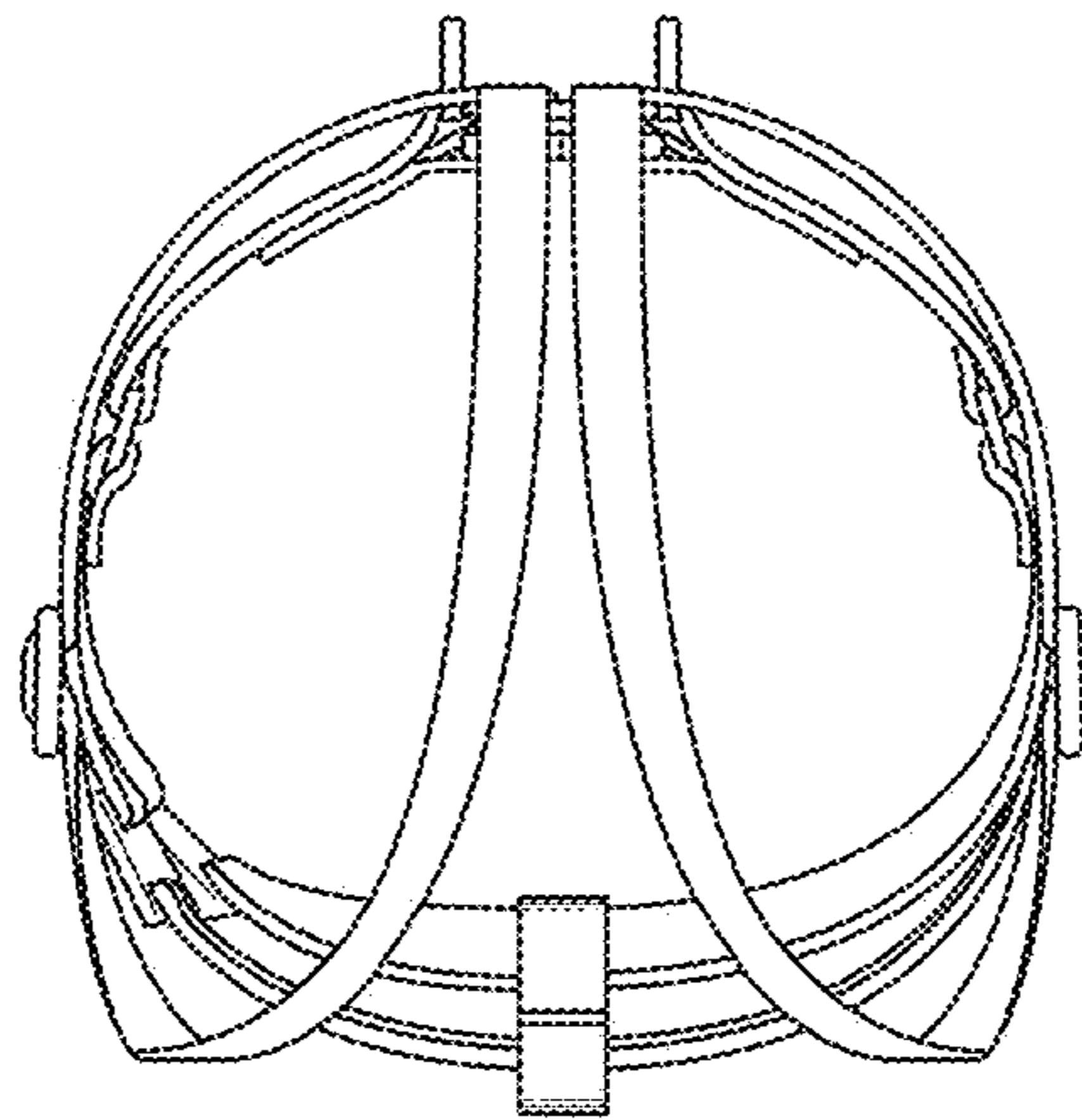
*Fig. 4*



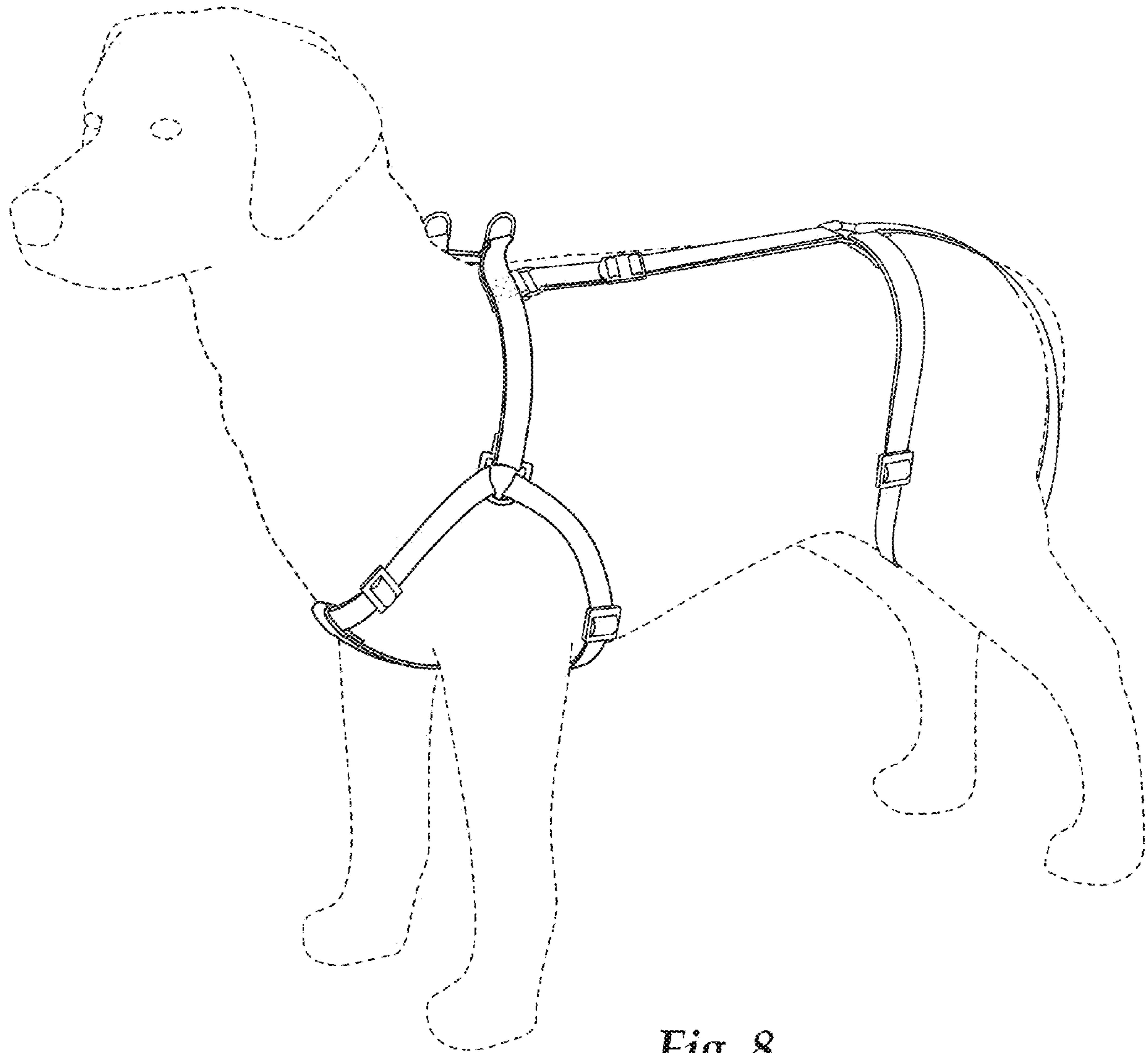
*Fig. 5*



*Fig. 6*



*Fig. 7*



*Fig. 8*