



US00D970824S

(12) **United States Design Patent**  
**Li et al.**

(10) **Patent No.:** **US D970,824 S**  
(45) **Date of Patent:** **\*\* Nov. 22, 2022**

(54) **PET FEEDING STATION**

A47J 43/0727; B05B 11/00; B05B 11/0002; B05B 11/0005;

(71) Applicant: **GUANGZHOU SHOUJIA ELECTRONIC TECHNOLOGY CO., LTD.**, Guangzhou (CN)

(Continued)

(72) Inventors: **Wanping Li**, Guangzhou (CN); **Danhua Zhu**, Guangzhou (CN); **Qiue Hong**, Guangzhou (CN)

(56) **References Cited**

U.S. PATENT DOCUMENTS

D833,087 S 11/2018 Nieves et al.  
10,349,623 B1 \* 7/2019 Stygstra ..... A01K 5/0128  
D869,781 S \* 12/2019 Han ..... D30/129

(Continued)

(73) Assignee: **GUANGZHOU SHOUJIA ELECTRONIC TECHNOLOGY CO., LTD.**, Guangzhou (CN)

OTHER PUBLICATIONS

BurgeonNest Slow Feeder. BurgeonNest, amazon.com (online) 14 pages. Posted Mar. 25, 2021. [Retrieved Aug. 9, 2022] <https://a.co/d/4oeh3gq> (Year: 2021).\*

(Continued)

(\*\*) **Term:** **15 Years**

*Primary Examiner* — Kathleen L Jones  
*Assistant Examiner* — Cole Sanders Holman

(21) Appl. No.: **29/817,356**

(22) Filed: **Nov. 30, 2021**

(30) **Foreign Application Priority Data**

Aug. 10, 2021 (CN) ..... 202130515250.X

(51) **LOC (13) Cl.** ..... **30-03**

(52) **U.S. Cl.**  
USPC ..... **D30/130**

(58) **Field of Classification Search**

USPC ..... D30/110, 114, 115, 116, 121, 122, 124, D30/125, 127, 128, 129, 130, 131, 132, D30/133; D7/566, 587; D21/340  
CPC .. A01K 5/0114; A01K 5/0128; A01K 5/0121; A01K 5/02; A01K 5/0291; A01K 5/025; A01K 5/0266; A01K 5/0275; A01K 5/0283; A01K 5/0258; A01K 5/0142; A01K 5/0233; A01K 29/00; A01K 7/00; A01K 7/005; A01K 7/02; A01K 39/014; A01K 39/00; A01K 39/02; A01K 39/0113; G01F 11/24; G01F 23/02; B67D 1/0425; B67D 1/04; B67D 1/00; B67D 1/02; B67D 1/0871; B67D 1/0802; A47J 41/0033; A47J 41/005; A47J 41/0088; A47J 41/0094; A47J 41/04; A47J 41/053;

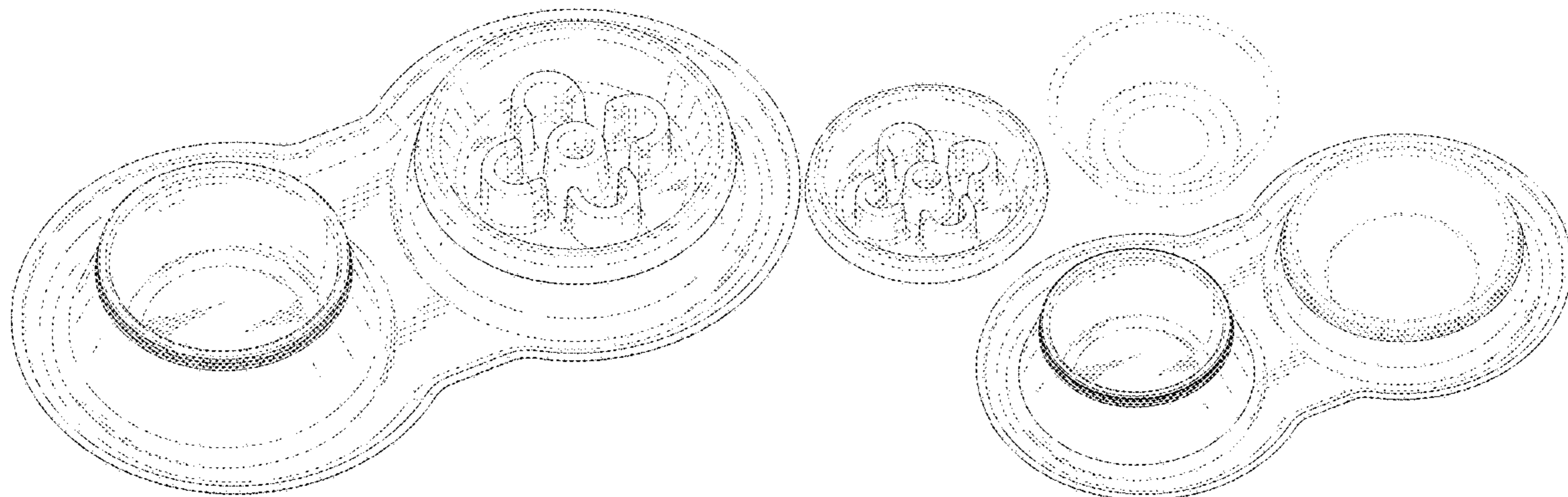
(57) **CLAIM**

The ornamental design for a pet feeding station, as shown and described.

**DESCRIPTION**

FIG. 1 is a perspective view of a pet feeding station showing our new design;  
FIG. 2 is another perspective view thereof;  
FIG. 3 is a front elevational view thereof;  
FIG. 4 is a rear elevational view thereof;  
FIG. 5 is a left side elevational view thereof;  
FIG. 6 is a right side elevational view thereof;  
FIG. 7 is a top plan view thereof;  
FIG. 8 is a bottom plan view thereof;  
FIG. 9 is an exploded perspective view of the pet feeding station; and,  
FIG. 10 is a perspective view of the pet feeding station where the pet feeding station is in a folded state.

(Continued)



The broken lines in the drawings depict portions of the pet feeding station that form no part of the claimed design.

**1 Claim, 10 Drawing Sheets**

**(58) Field of Classification Search**

CPC ..... B05B 11/001; C02F 1/003; C02F 1/283;  
C02F 2307/02

See application file for complete search history.

**(56)**

**References Cited**

U.S. PATENT DOCUMENTS

D891,005 S	7/2020	Liu	
D907,307 S *	1/2021	Lan .....	D30/130
D908,978 S *	1/2021	Wu .....	D30/129
D914,999 S *	3/2021	Deng .....	D30/129
D915,000 S *	3/2021	Huang .....	D30/129
D917,105 S *	4/2021	Pan .....	D30/131

D933,905 S *	10/2021	Wu .....	D30/130
D945,082 S *	3/2022	Babal .....	D30/133
D955,065 S *	6/2022	Babal .....	D30/132
2008/0141945 A1 *	6/2008	Markham .....	A01K 5/0114 119/61.5
2013/0081574 A1 *	4/2013	Roth .....	A01K 5/00 119/51.01
2017/0071152 A1 *	3/2017	Abbey .....	A01K 5/01

OTHER PUBLICATIONS

Feng et al., CN Design No. 306798733, published at Orbit, publication date Aug. 31, 2021. Site visited Aug. 9, 2022. Available from internet. (Year: 2021).\*

Roysili Double Dog Bowl Pet Feeding Station. Roysili, amazon.com (online) 12 pages. Posted Feb. 3, 2019. [Retrieved Aug. 10, 2022] <https://a.co/d/fbQNcef> (Year: 2019).\*

TarHong Slow Chow Medallion Large Feeder. TarHong, amazon.com (online) pages. Posted Jun. 10, 2019. [Retrieved Aug. 10, 2022] <https://a.co/d/dRJLNBF> (Year: 2019).\*

\* cited by examiner

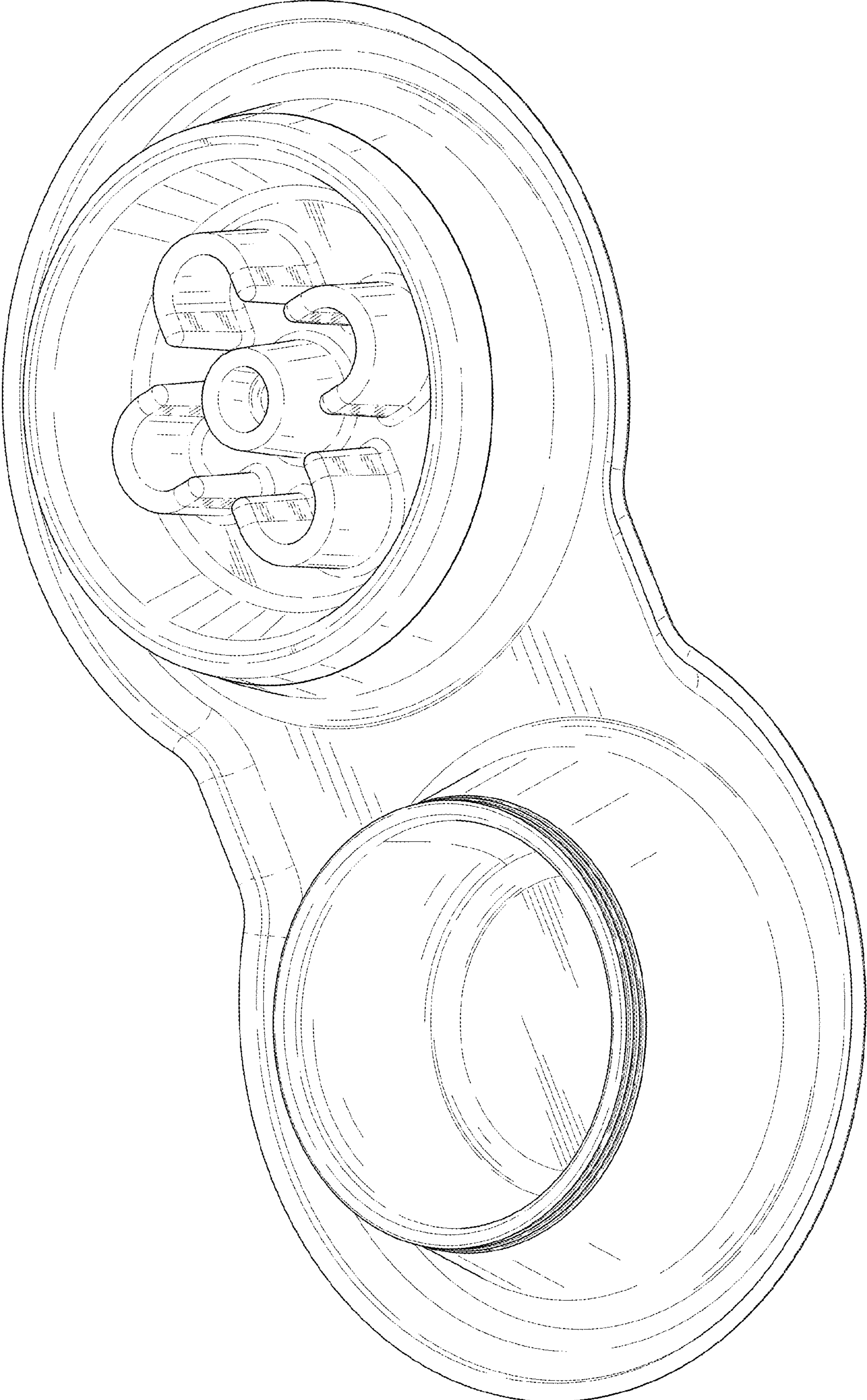


FIG. 1

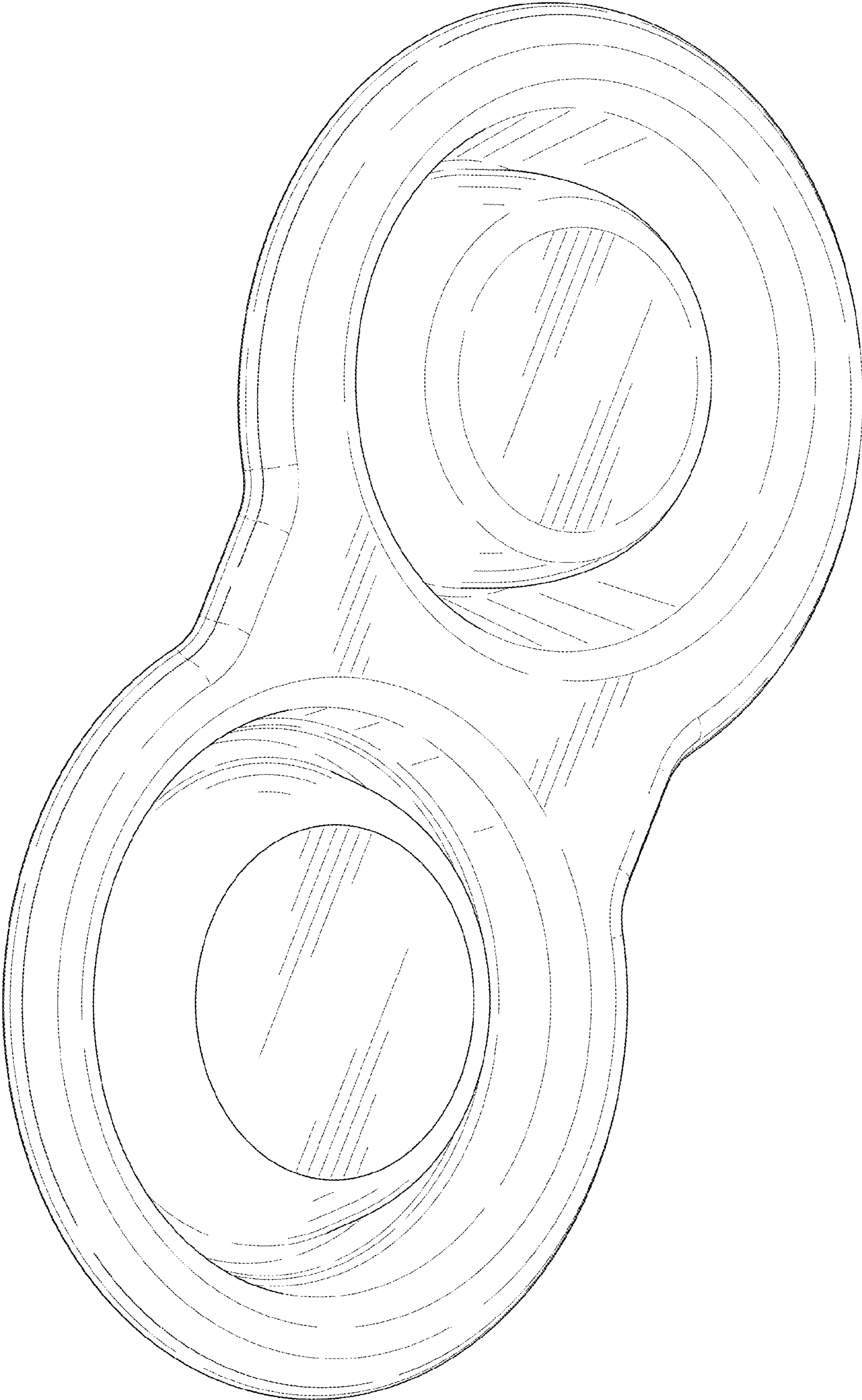


FIG. 2

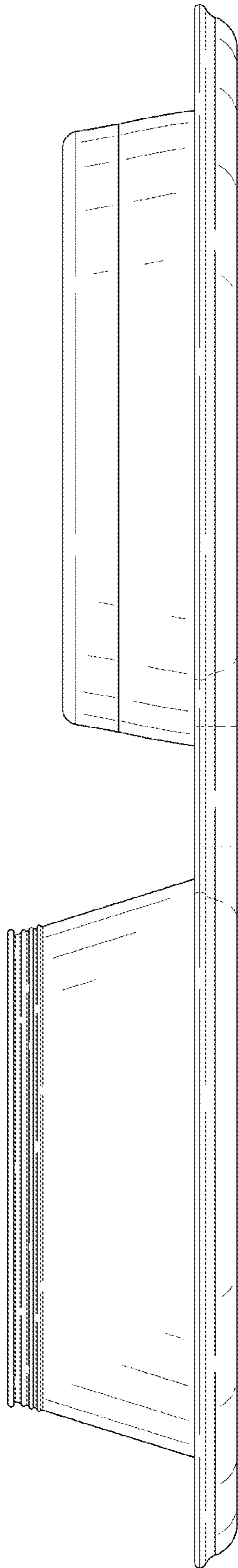


FIG. 3

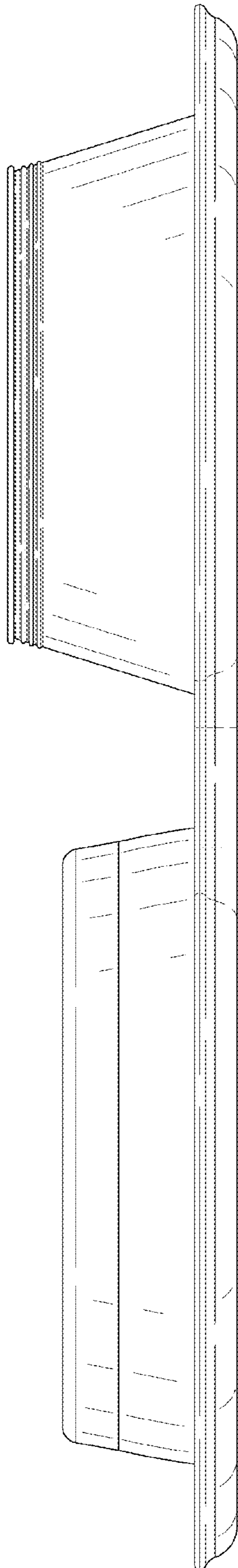


FIG. 4

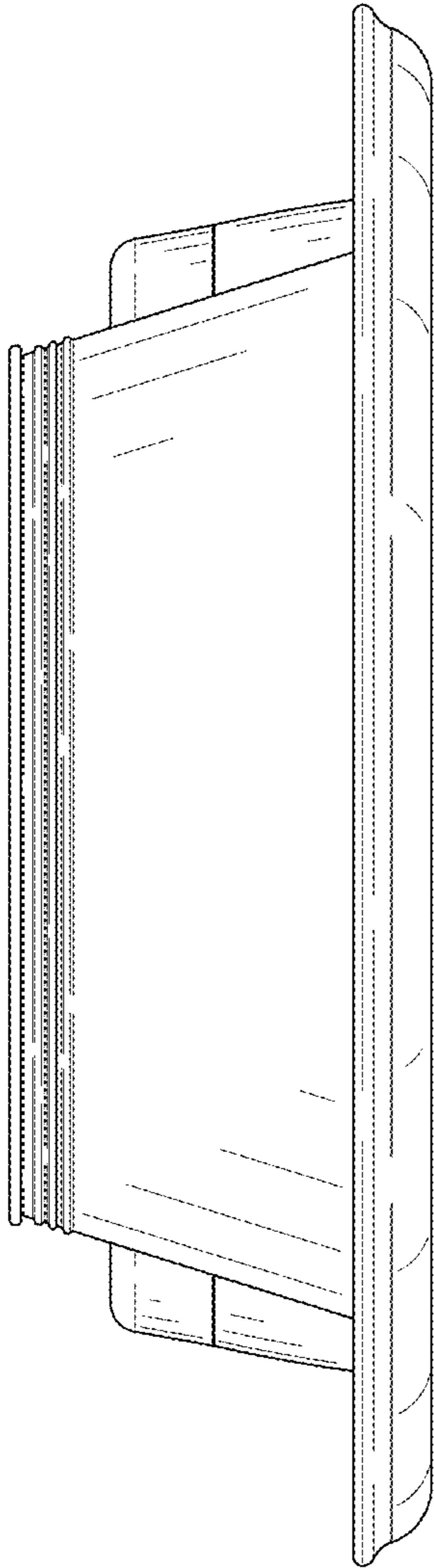


FIG. 5

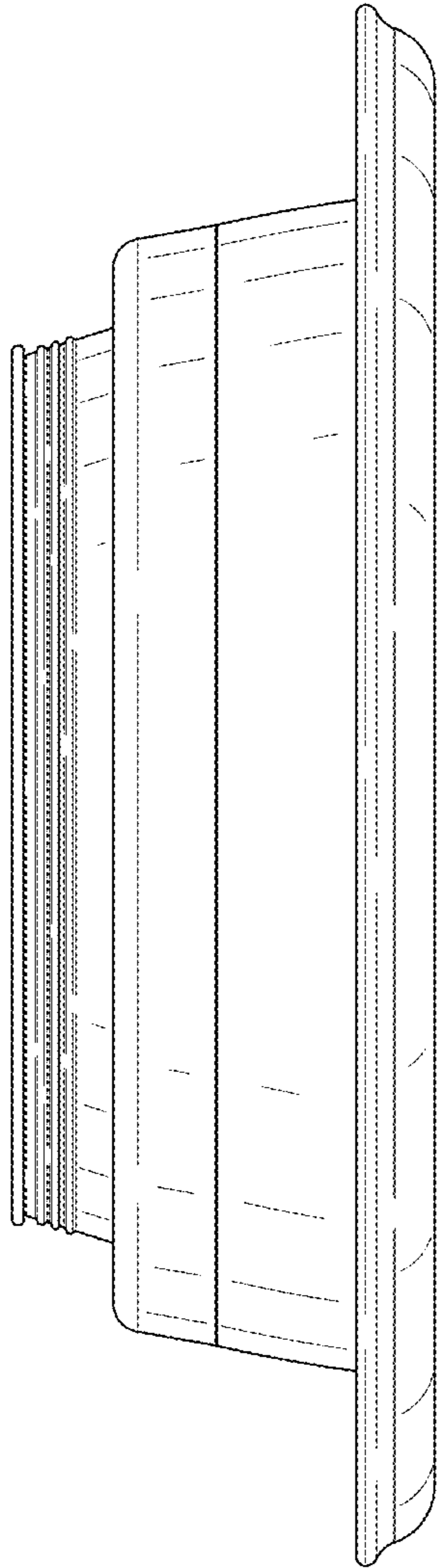


FIG. 6



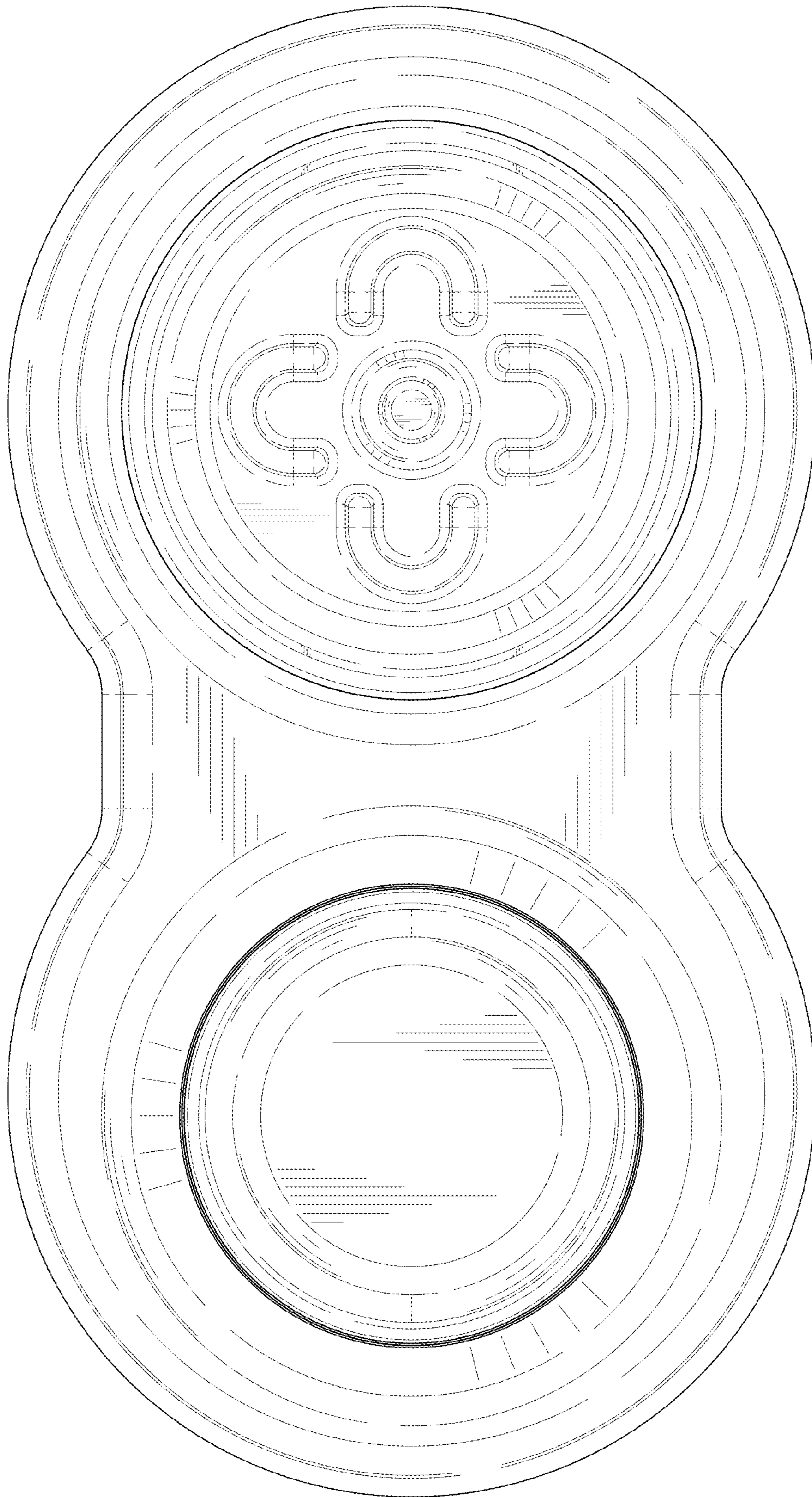


FIG. 7

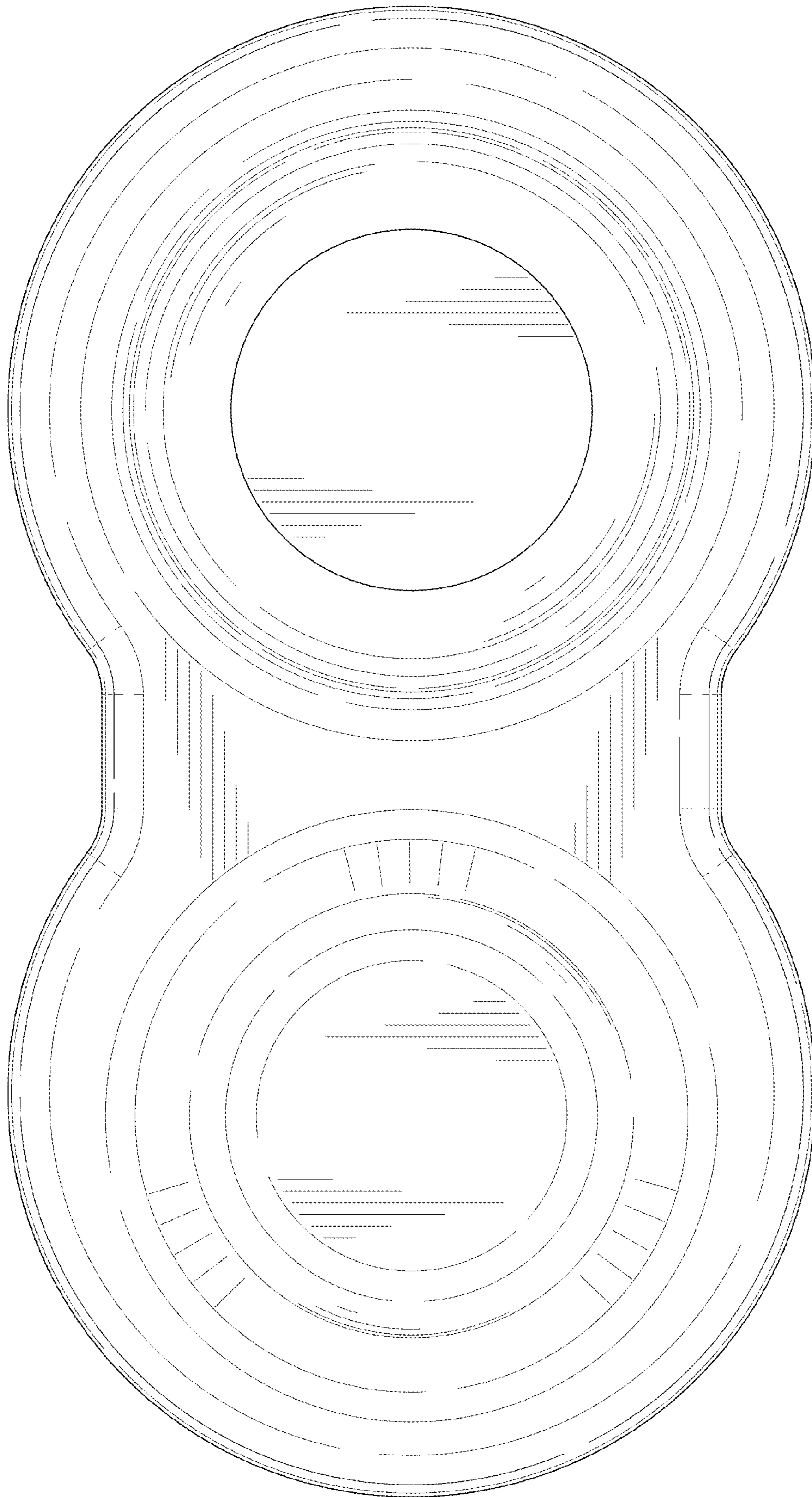


FIG. 8

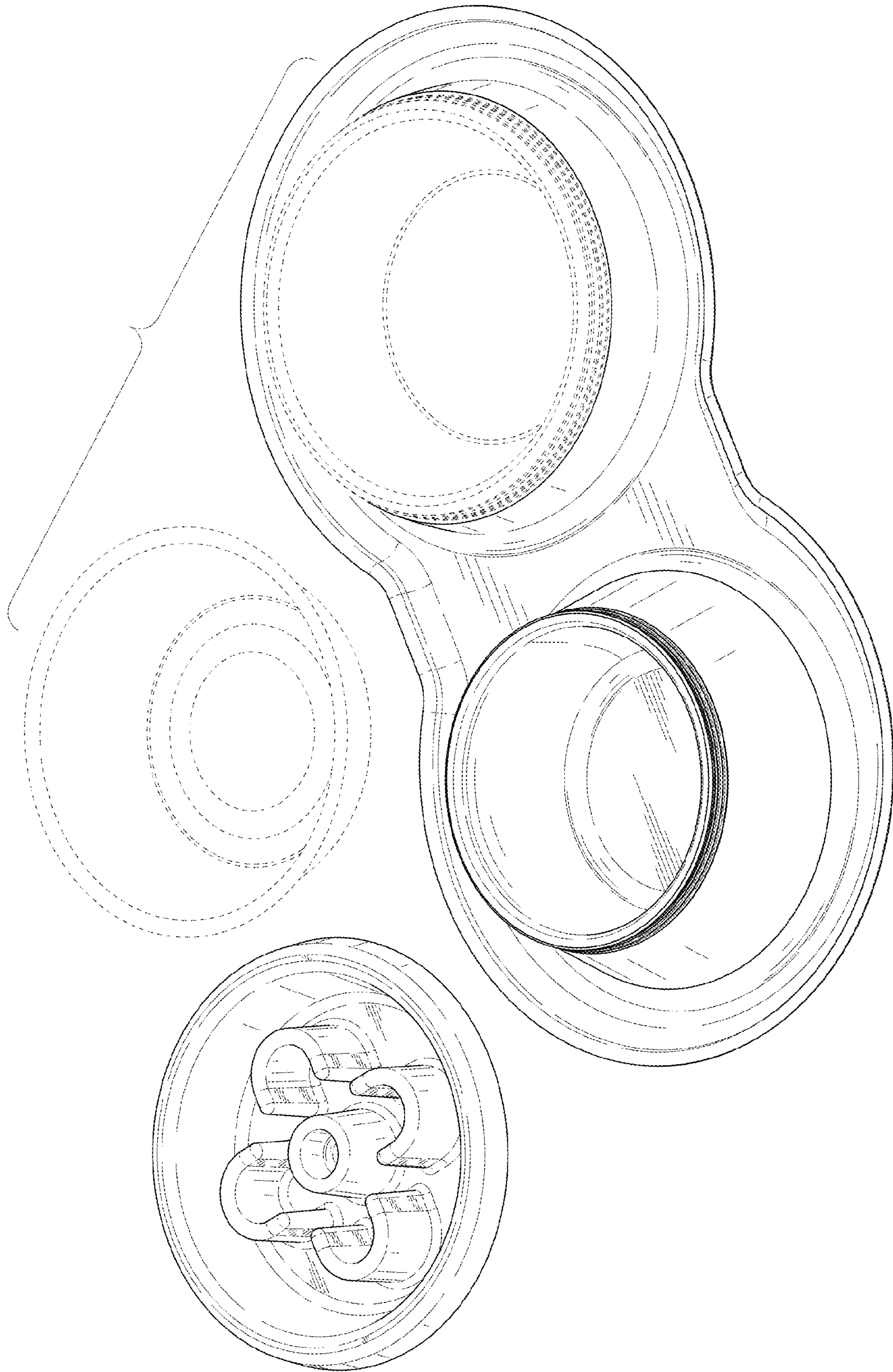


FIG. 9

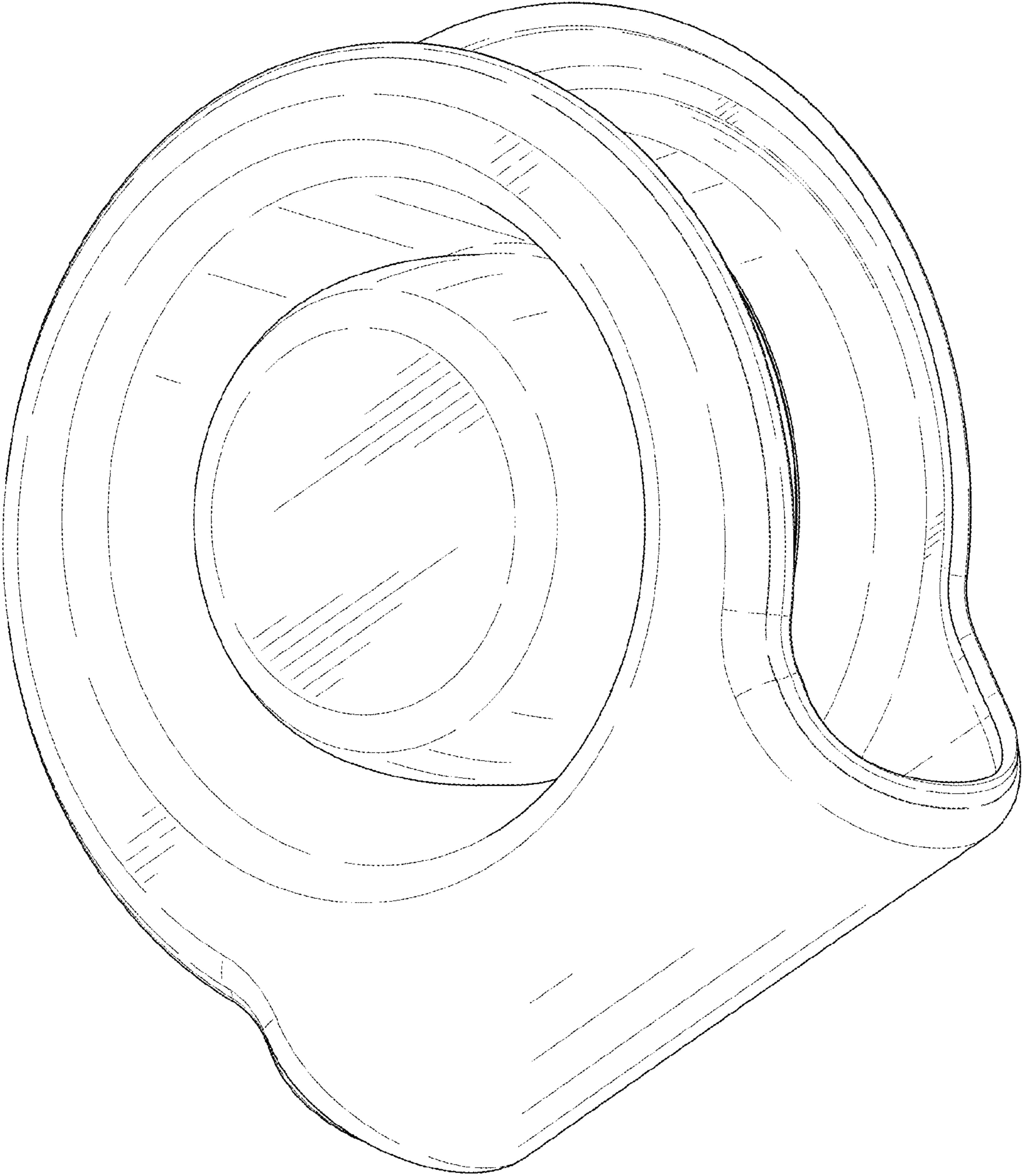


FIG. 10