



US00D970819S

(12) **United States Design Patent**
Megesi

(10) **Patent No.:** **US D970,819 S**

(45) **Date of Patent:** **** Nov. 22, 2022**

(54) **PORTABLE BEAUTY TOOL ASSEMBLY**

(71) Applicant: **Vango, LLC**, Jonesboro, GA (US)

(72) Inventor: **Dominique Megesi**, Jonesboro, GA (US)

(73) Assignee: **VANGO, LLC**, Jonesboro, GA (US)

(**) Term: **15 Years**

(21) Appl. No.: **29/720,018**

(22) Filed: **Jan. 9, 2020**

(51) **LOC (13) Cl.** **28-03**

(52) **U.S. Cl.**
USPC **D28/64.3**

(58) **Field of Classification Search**
USPC D6/300-314; D28/64.1-64.3
CPC A45D 42/12; A45D 42/16
See application file for complete search history.

(56) **References Cited**

U.S. PATENT DOCUMENTS

| | | | | | |
|-----------|-----|---------|----------|-------|-------------------------|
| 893,998 | A * | 7/1908 | Harris | | A45D 42/12 224/265 |
| 956,032 | A * | 4/1910 | Birdwell | | A45D 42/12 359/880 |
| 1,029,420 | A * | 6/1912 | Buzby | | A45D 42/12 248/284.1 |
| 1,486,534 | A * | 3/1924 | Munn | | A45D 42/12 206/38 |
| 1,992,523 | A * | 2/1935 | Dupret | | A45D 42/12 132/304 |
| 2,117,403 | A * | 5/1938 | Crosby | | A45D 42/12 359/880 |
| 2,266,977 | A * | 12/1941 | Lynch | | A45D 42/12 248/472 |
| 2,277,241 | A * | 3/1942 | Lynch | | A45D 42/12 224/247 |
| 2,334,610 | A * | 11/1943 | Crawford | | A45D 42/16 248/472 |

| | | | | | |
|-----------|-----|---------|-------------|-------|------------------------|
| 2,352,819 | A * | 7/1944 | Winslow | | A45D 42/12 D28/64.2 |
| 2,379,214 | A * | 6/1945 | Bolinger | | A45D 42/12 2/DIG. 8 |
| D155,095 | S * | 9/1949 | MacWilliams | | D28/64.2 |
| D160,995 | S * | 11/1950 | Busa | | D6/301 |
| 2,583,803 | A * | 1/1952 | Amer | | A45D 42/12 224/265 |

(Continued)

FOREIGN PATENT DOCUMENTS

| | | | |
|----|-------------|---|---------|
| CA | 200248 | A | 5/1920 |
| KR | 20100011035 | U | 11/2010 |

Primary Examiner — Deanna L Pratt

(74) *Attorney, Agent, or Firm* — Gibraltar Consulting LLC; Tariq S. Najee-ullah

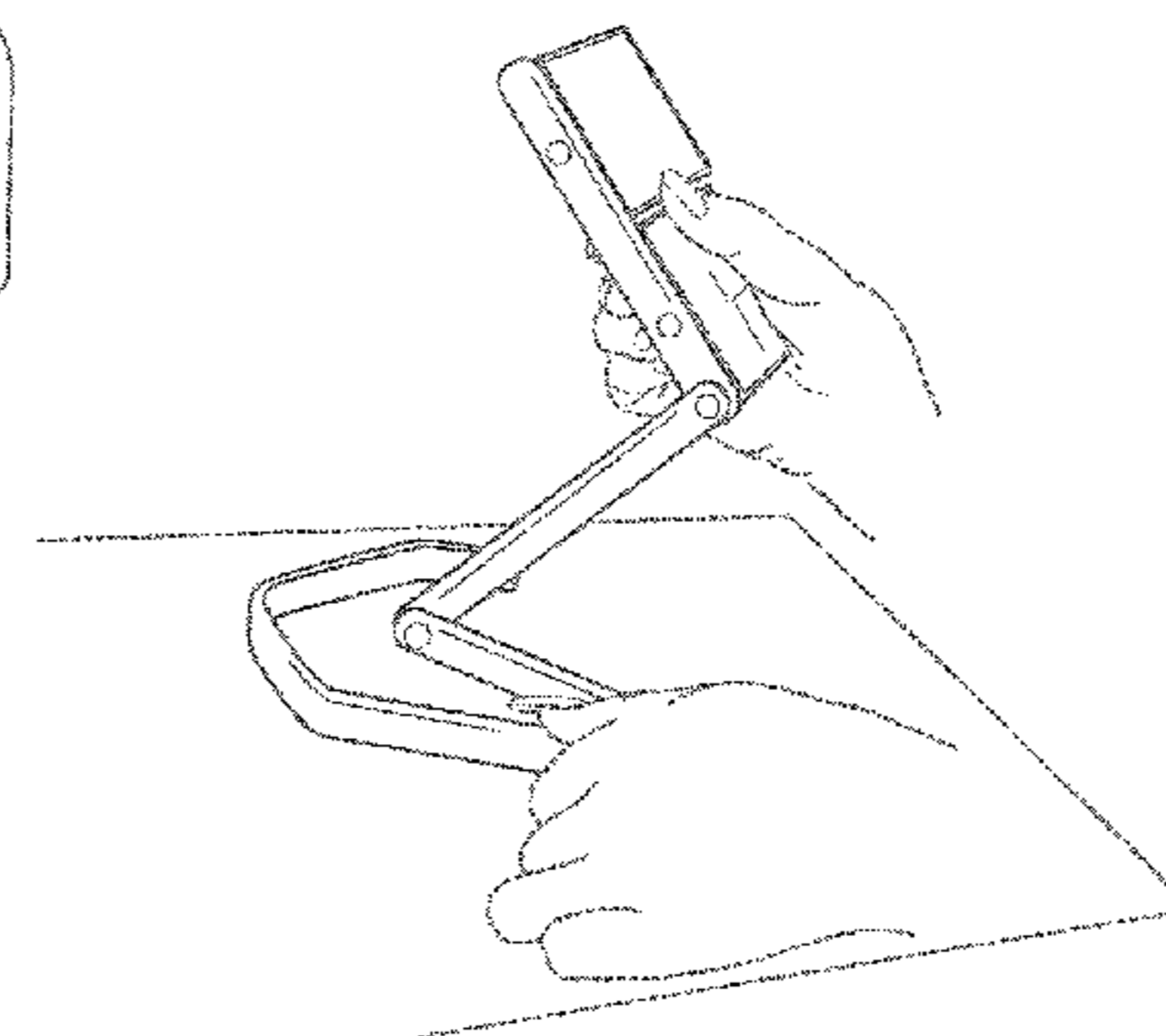
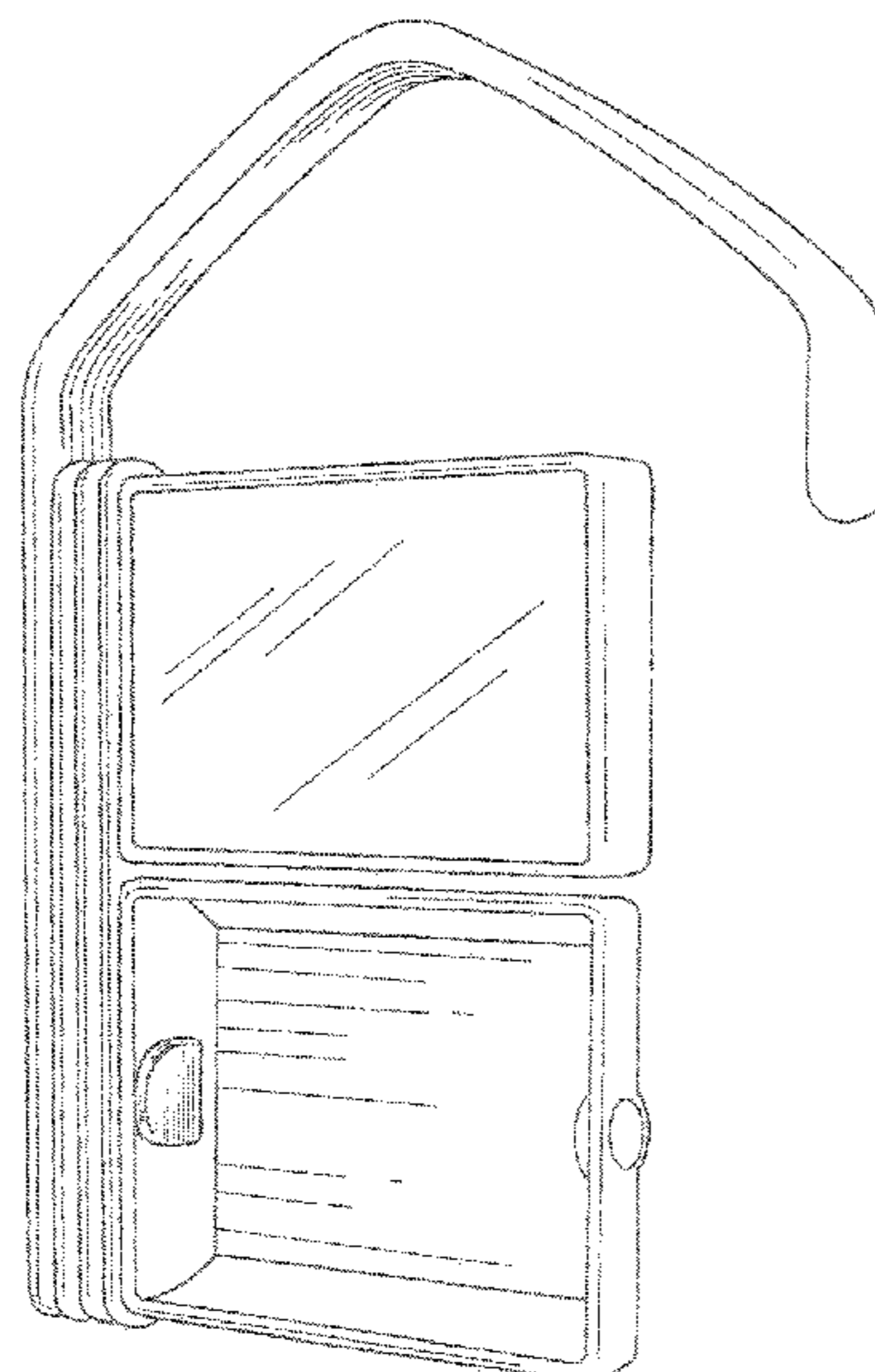
(57) **CLAIM**

The ornamental design for a portable beauty tool assembly, as shown.

DESCRIPTION

FIG. 1 is a perspective view of a portable beauty tool assembly showing my new design; FIG. 2 is a rear perspective view thereof; FIG. 3 is a front view thereof; FIG. 4 is a side view thereof; FIG. 5 is another side view thereof; FIG. 6 is a top view thereof; FIG. 7 is a bottom view thereof; FIG. 8 is another perspective view thereof; FIG. 9 is another perspective view thereof; FIG. 10 is another perspective view thereof; FIG. 11 is another perspective view thereof; FIG. 12 is another perspective view thereof; and, FIG. 13 is another perspective view thereof. The broken lines illustrate portions of the portable beauty tool assembly or environmental structure that do not form a part of the claimed design.

1 Claim, 10 Drawing Sheets



(56)

References Cited

U.S. PATENT DOCUMENTS

| | | | | |
|--------------|------|---------|--------------------|-----------------------|
| 4,707,087 | A | 11/1987 | Zandt | |
| 4,860,989 | A | 8/1989 | Rose et al. | |
| D307,678 | S * | 5/1990 | Lookerse | D6/312 |
| D324,463 | S * | 3/1992 | Young | D6/300 |
| 5,359,461 | A | 10/1994 | Rice et al. | |
| 5,604,633 | A * | 2/1997 | Christianson | A45D 42/16 359/507 |
| 6,099,133 | A | 8/2000 | Wright | |
| D484,277 | S * | 12/2003 | Prince | D28/64.1 |
| 7,063,427 | B1 | 6/2006 | Cutler | |
| D563,679 | S * | 3/2008 | Vidmar | D6/309 |
| 8,939,591 | B1 | 1/2015 | Reynolds | |
| D859,011 | S * | 9/2019 | Liu | D6/310 |
| D949,582 | S * | 4/2022 | Yong | D6/310 |
| 2020/0214426 | A1 * | 7/2020 | Megesi | A45D 42/10 |
| 2022/0079355 | A1 * | 3/2022 | Boehm | A47G 1/17 |

* cited by examiner

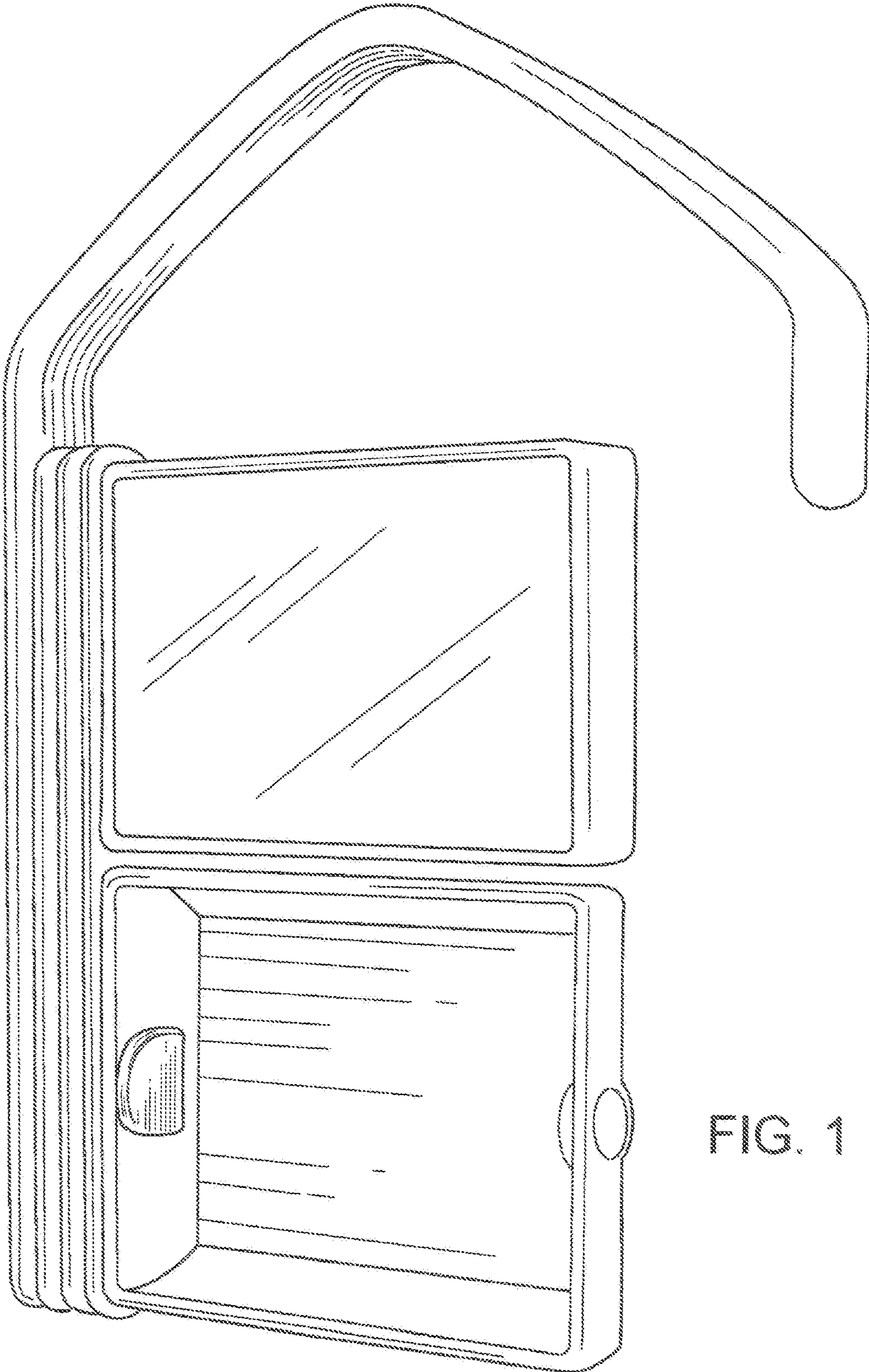


FIG. 1

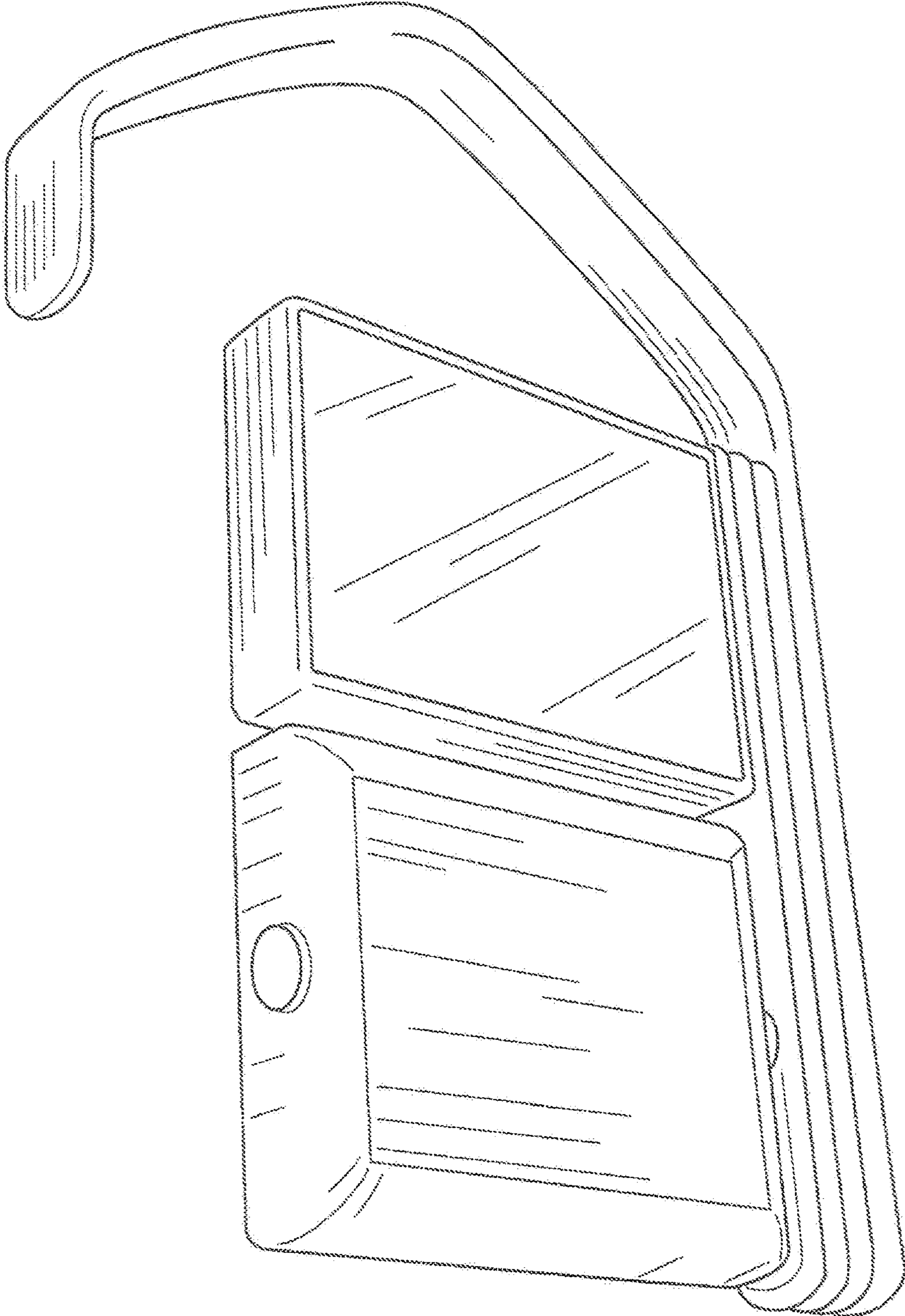


FIG. 2

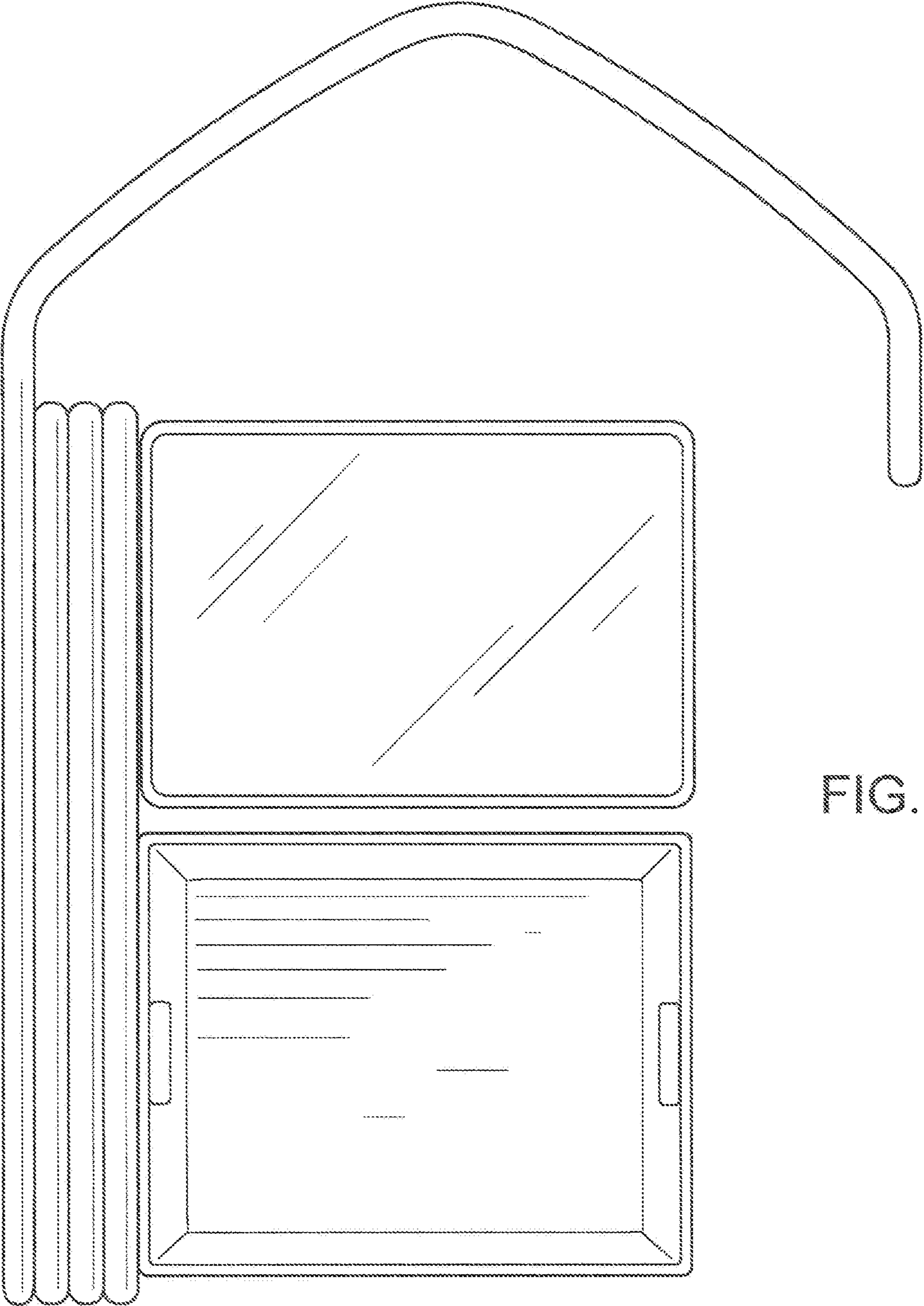


FIG. 3

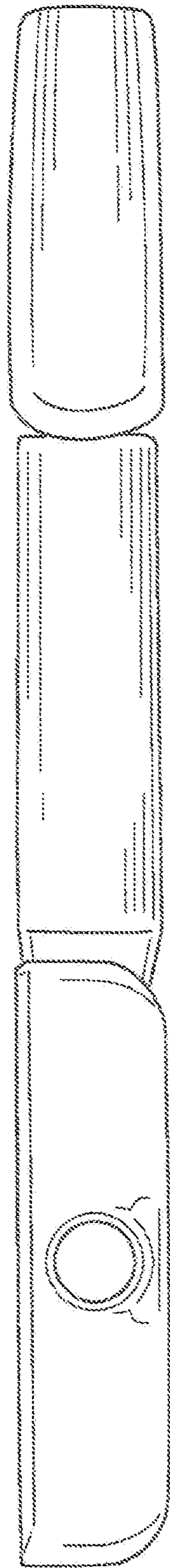


FIG. 4

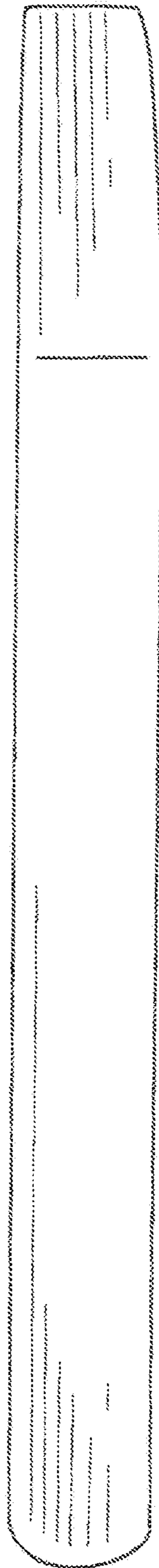


FIG. 5

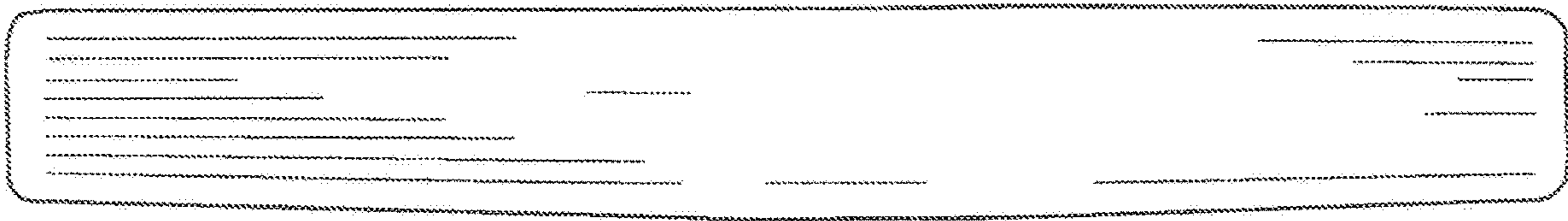


FIG. 6

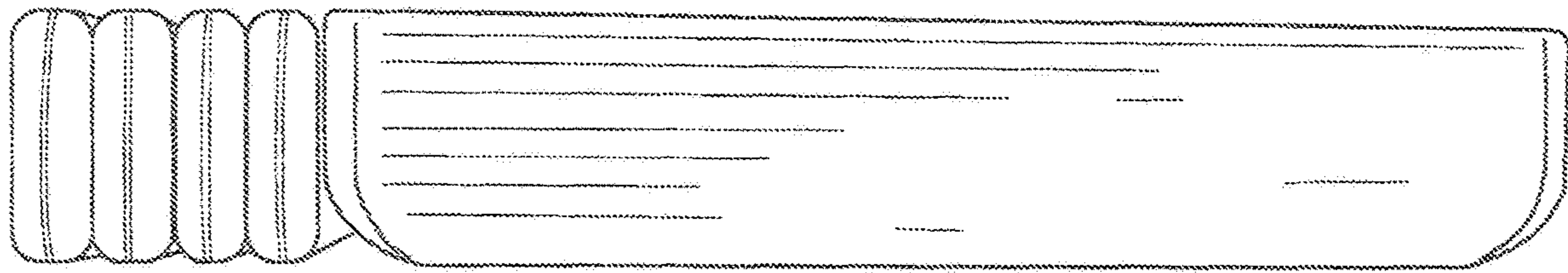


FIG. 7

FIG. 8

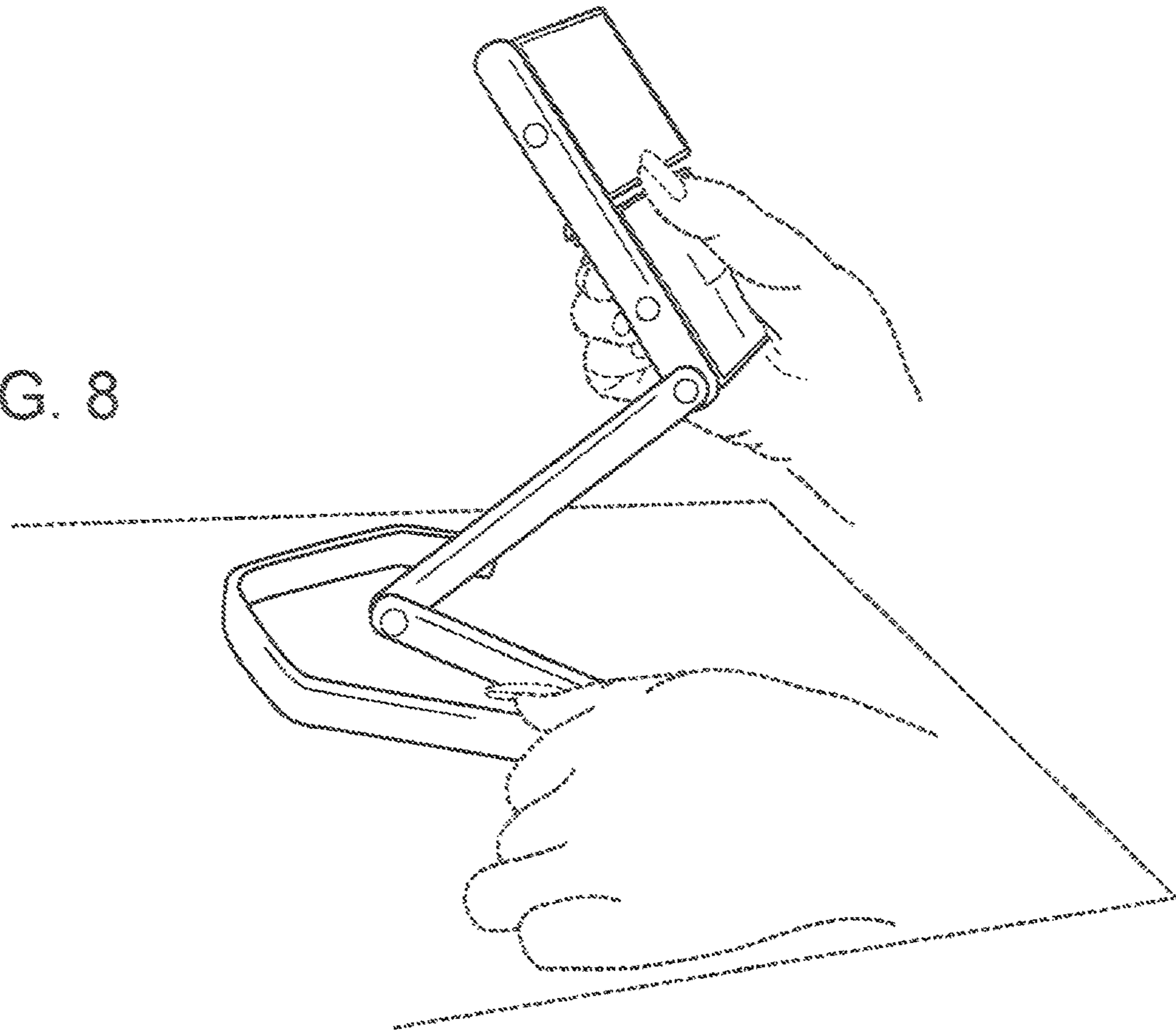


FIG. 9

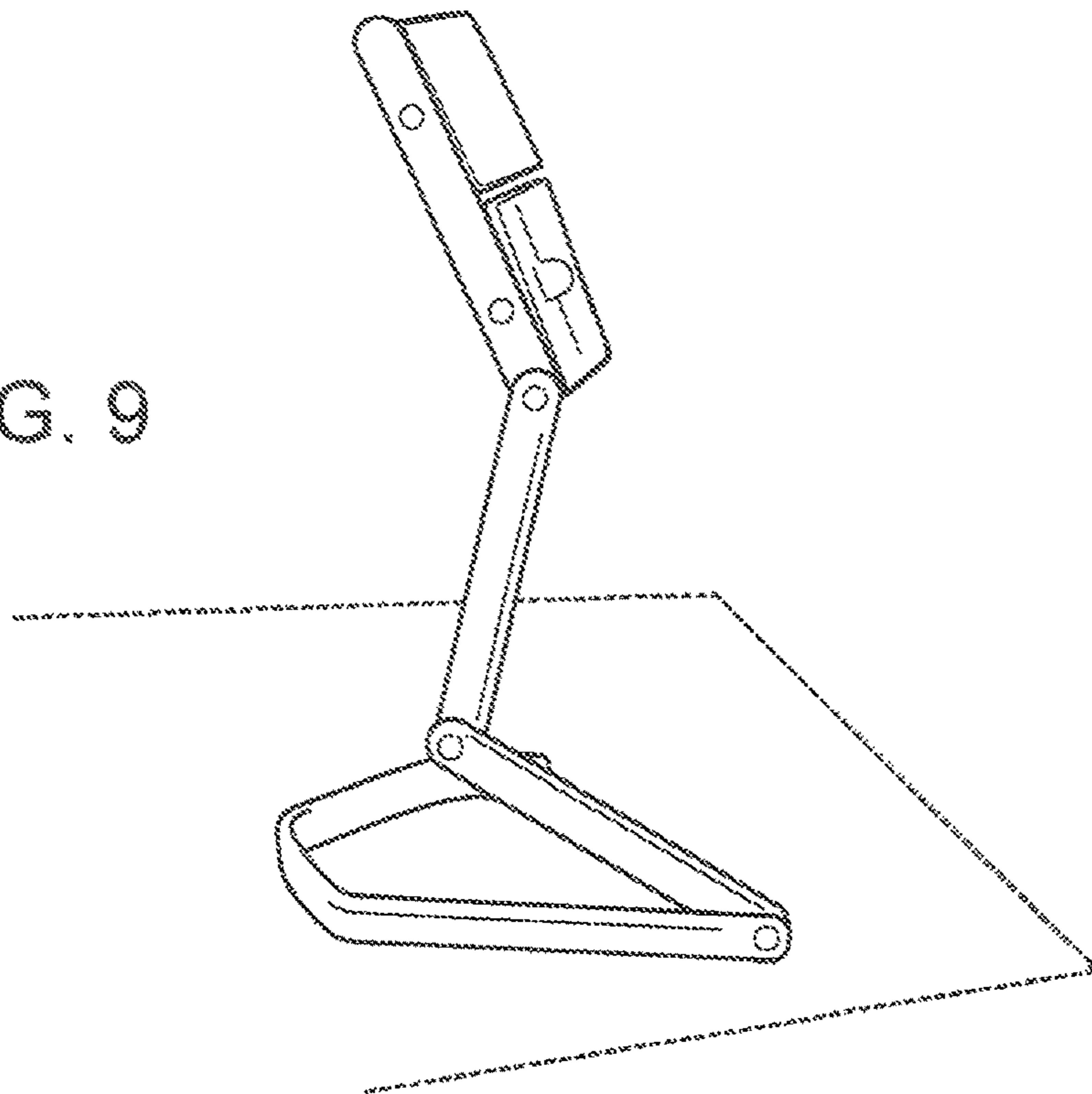


FIG. 10

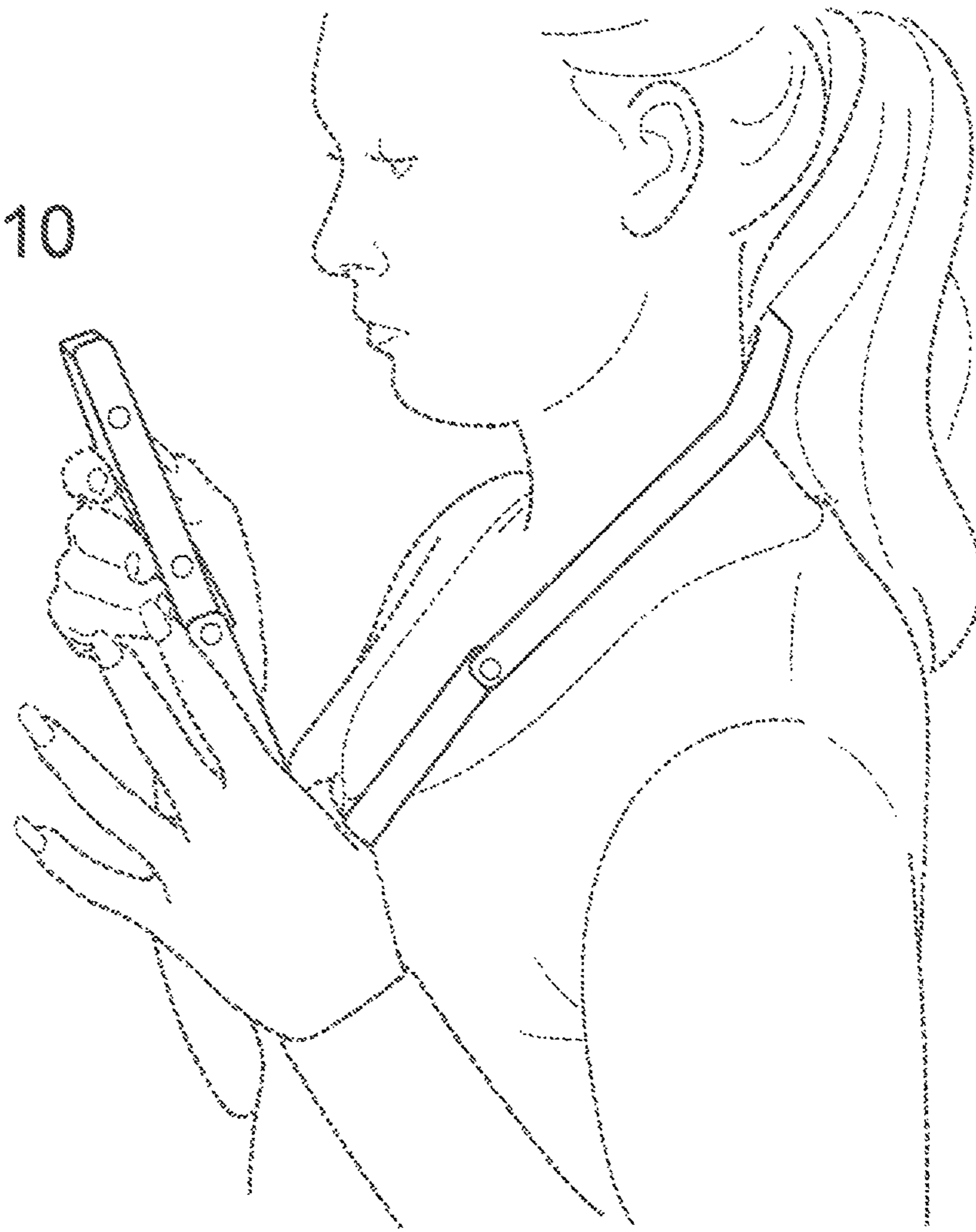


FIG. 11

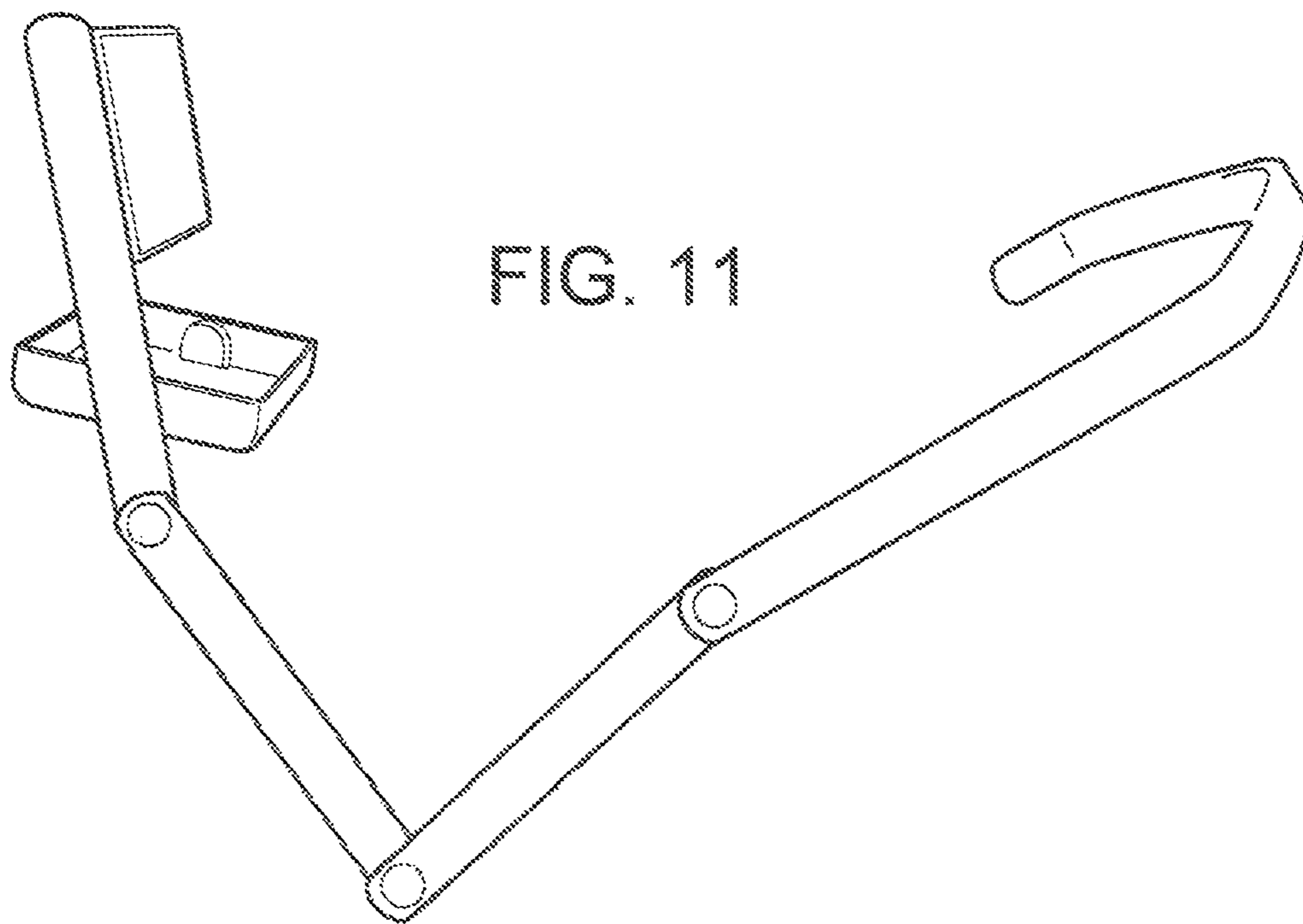


FIG. 12

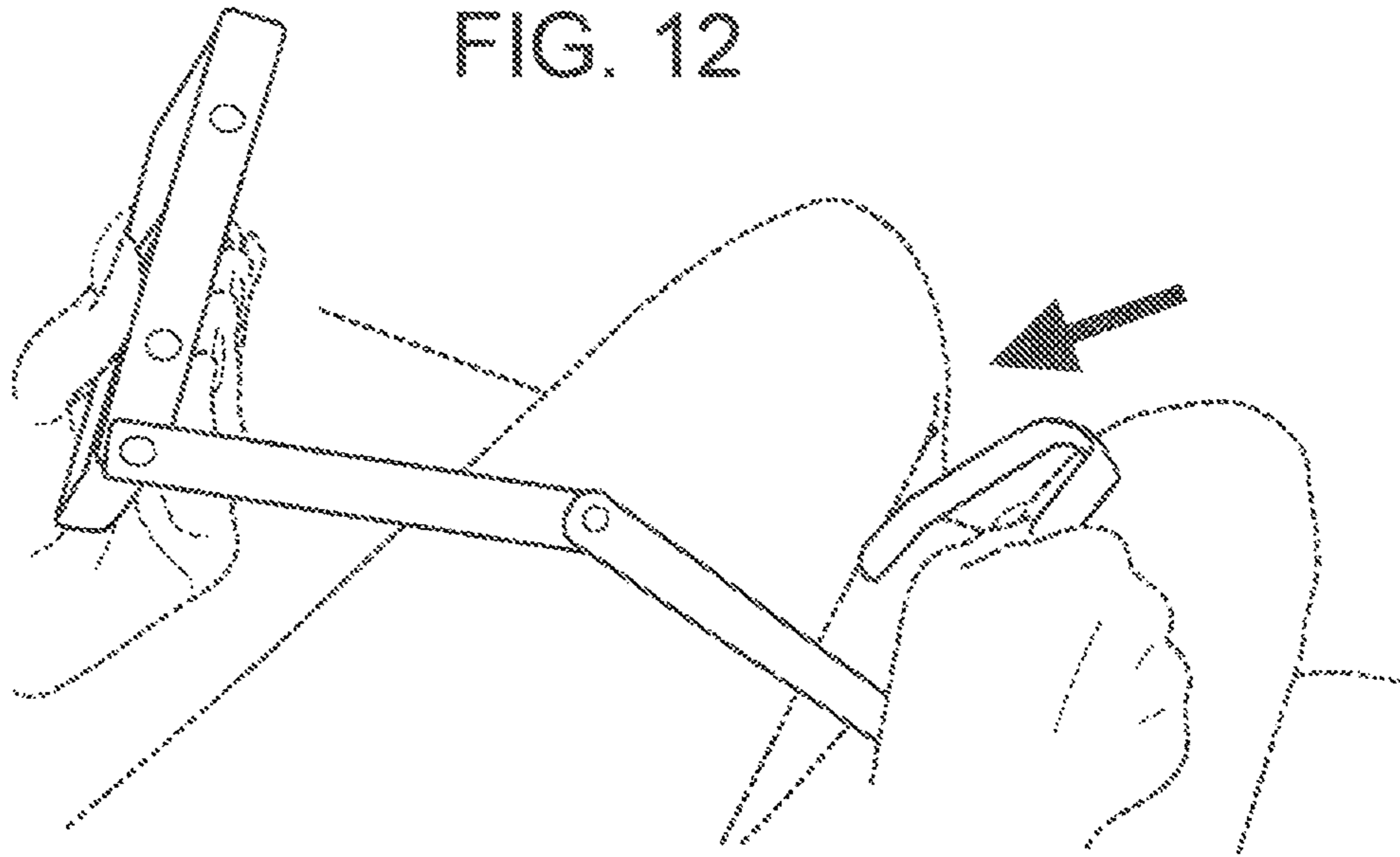


FIG. 13

