



US00D970815S

(12) **United States Design Patent**  
**Ren**

(10) **Patent No.:** **US D970,815 S**

(45) **Date of Patent:** **\*\* Nov. 22, 2022**

(54) **RAZOR HEAD**

(71) Applicant: **Wenzhou MERS R&D Ltd., Zhejiang (CN)**

(72) Inventor: **Xiangrong Ren, Zhejiang (CN)**

(73) Assignee: **WENZHOU MERS R&D LTD., Wenzhou (CN)**

(\*\*) Term: **15 Years**

(21) Appl. No.: **29/721,106**

(22) Filed: **Jan. 17, 2020**

(30) **Foreign Application Priority Data**

Jul. 26, 2019 (CN) ..... 201930402259.2

(51) **LOC (13) Cl.** ..... **28-03**

(52) **U.S. Cl.**  
USPC ..... **D28/47**

(58) **Field of Classification Search**

USPC ..... D28/46-48  
CPC . B26B 21/42; B26B 21/4018; B26B 21/4025;  
B26B 21/4012; B26B 21/4037; B26B  
19/38; B26B 19/3806-388; B26B  
19/3886

See application file for complete search history.

(56) **References Cited**

**U.S. PATENT DOCUMENTS**

D453,396 S \* 2/2002 Grange ..... D28/46  
D737,512 S \* 8/2015 Bruno ..... D28/47  
D741,008 S \* 10/2015 Bruno ..... D28/47

D741,010 S \* 10/2015 Wang ..... D28/47  
9,221,185 B2 \* 12/2015 Walker, Jr. .... B26B 21/521  
D843,059 S \* 3/2019 Lettenberger ..... D28/47  
D866,068 S \* 11/2019 Long ..... D28/47  
D869,767 S \* 12/2019 Watson ..... D28/46  
D877,414 S \* 3/2020 Watson ..... D28/46  
D890,995 S \* 7/2020 Long ..... D28/47  
D905,908 S \* 12/2020 Washington ..... D28/47  
D908,285 S \* 1/2021 Cataudella ..... D28/47  
D921,984 S \* 6/2021 Brissett ..... D28/47  
D930,241 S \* 9/2021 Ahn ..... D28/46  
2016/0082610 A1 \* 3/2016 Bamundaga ..... B26B 21/4031  
30/32  
2017/0305022 A1 \* 10/2017 Bamundaga ..... B26B 21/06

\* cited by examiner

*Primary Examiner* — Jennifer Rivard

(74) *Attorney, Agent, or Firm* — Shimokaji IP

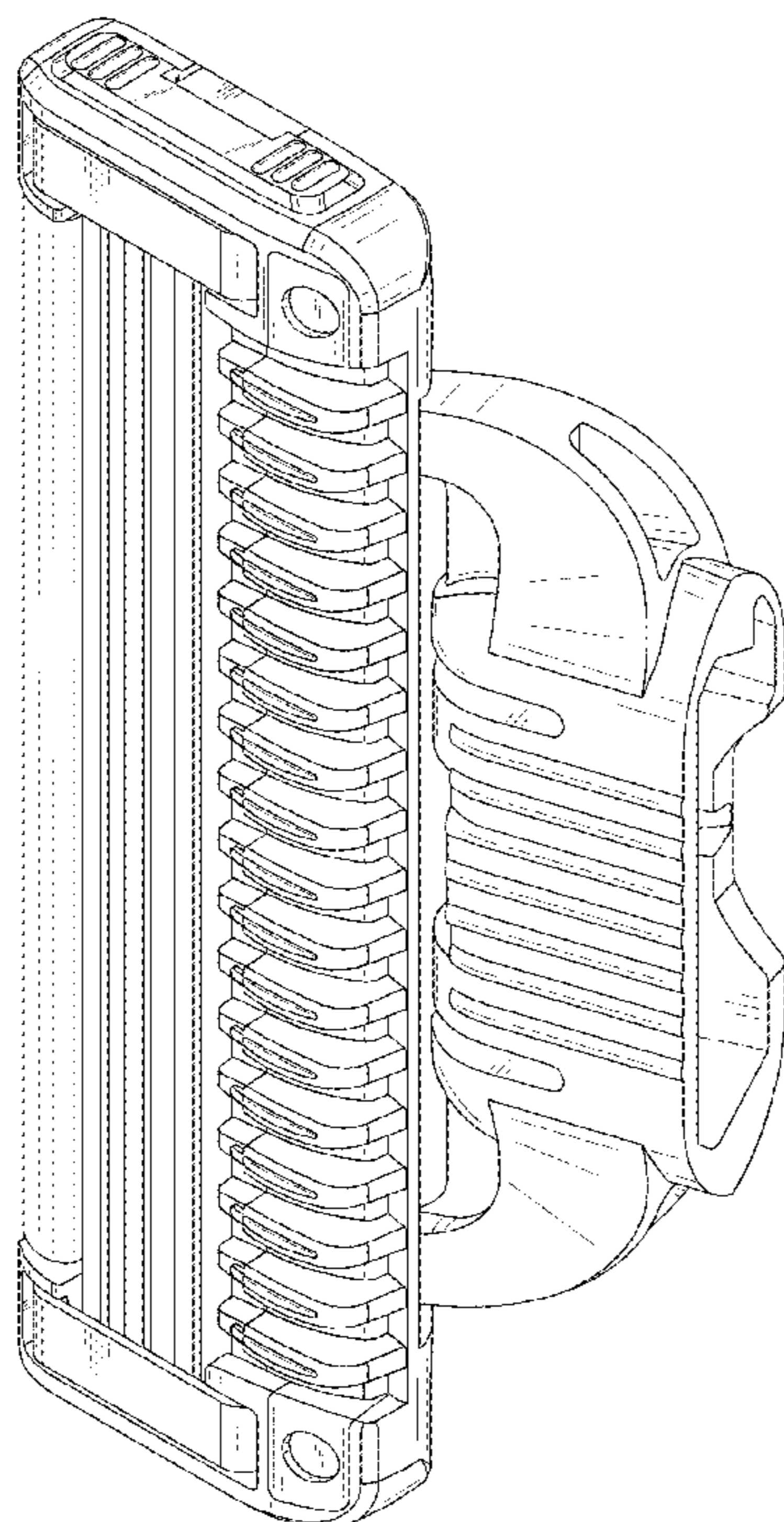
(57) **CLAIM**

The ornamental design for a razor head, as shown and described.

**DESCRIPTION**

FIG. 1 is a front elevation view of a razor head showing my design;  
FIG. 2 is a rear elevation view thereof;  
FIG. 3 is a left side elevation view thereof;  
FIG. 4 is a right side elevation view thereof;  
FIG. 5 is a top plan view thereof;  
FIG. 6 is a bottom plan view thereof;  
FIG. 7 is a first perspective view thereof; and,  
FIG. 8 is a second perspective view thereof.  
In the drawings, the broken lines represent portions of the article which form no part of the claimed design.

**1 Claim, 7 Drawing Sheets**



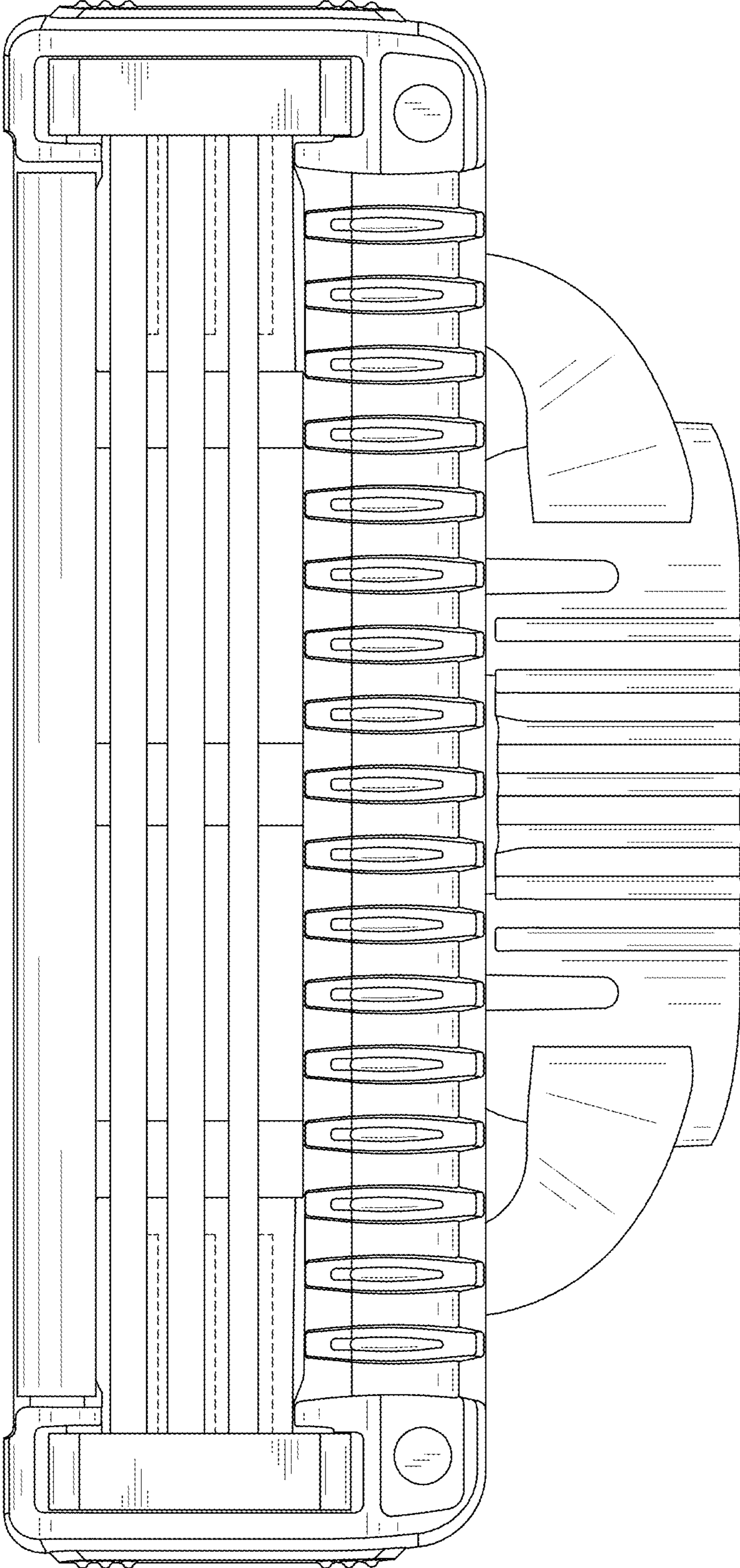


FIG. 1

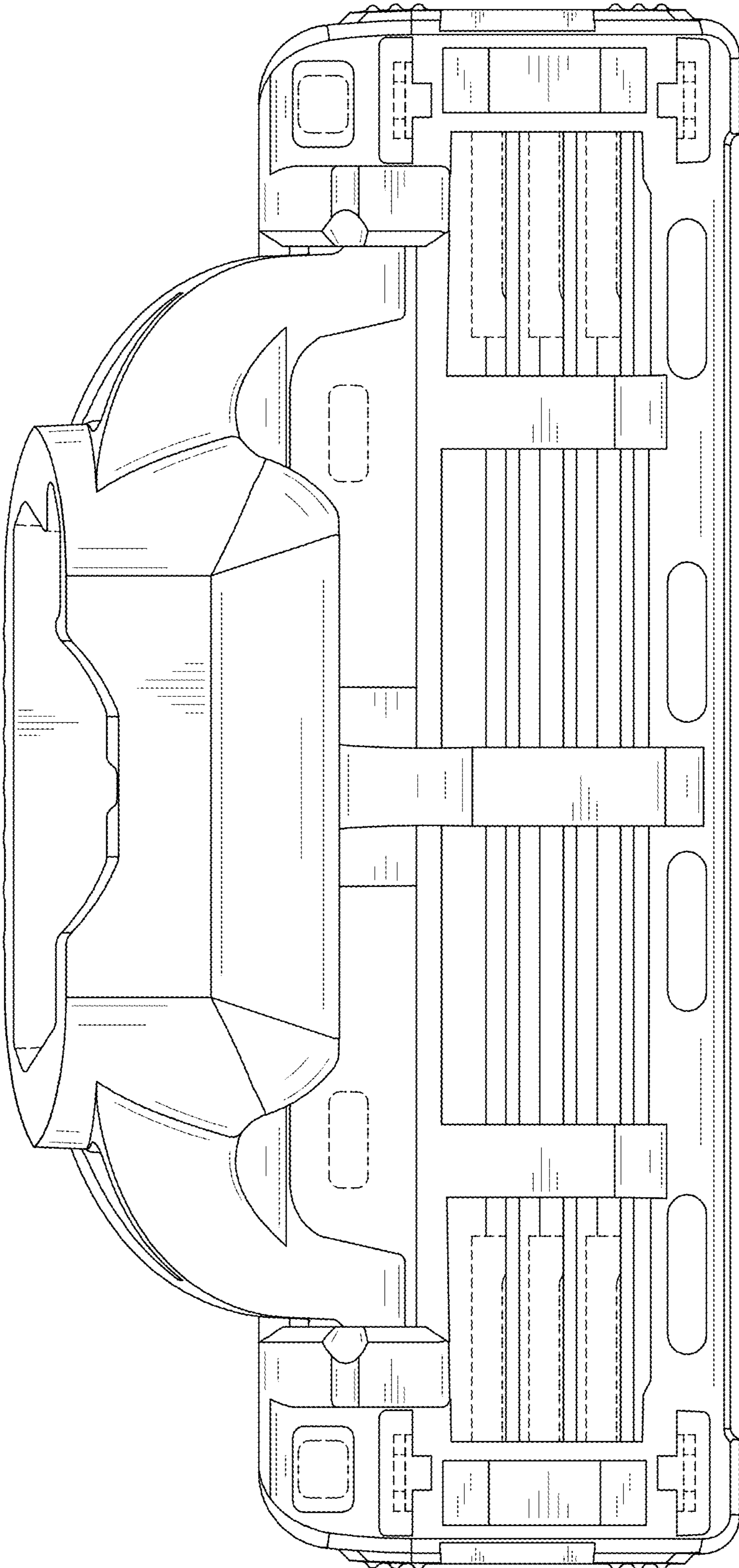


FIG.2

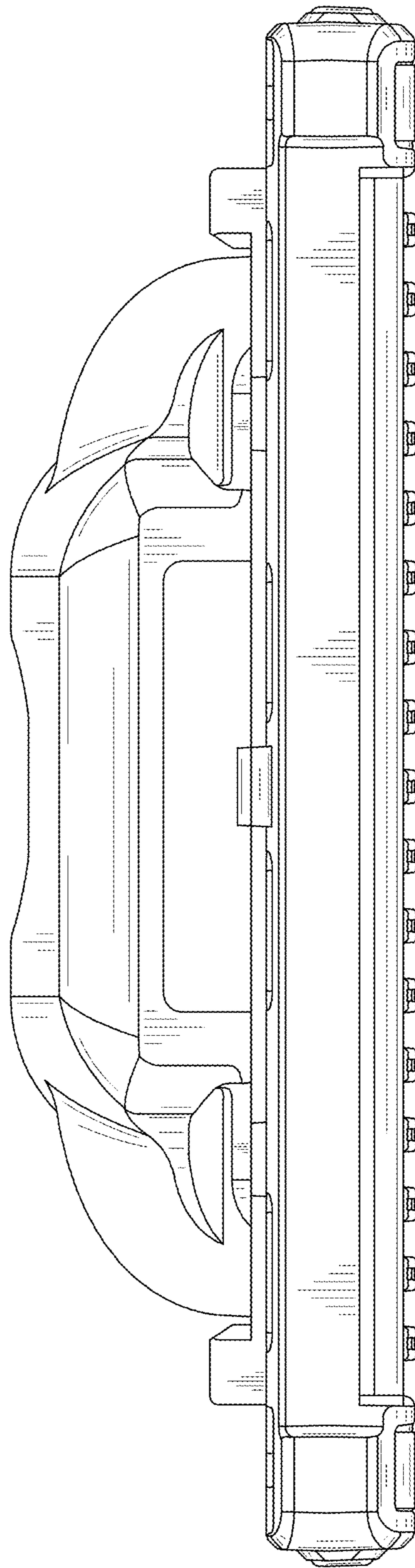


FIG.3

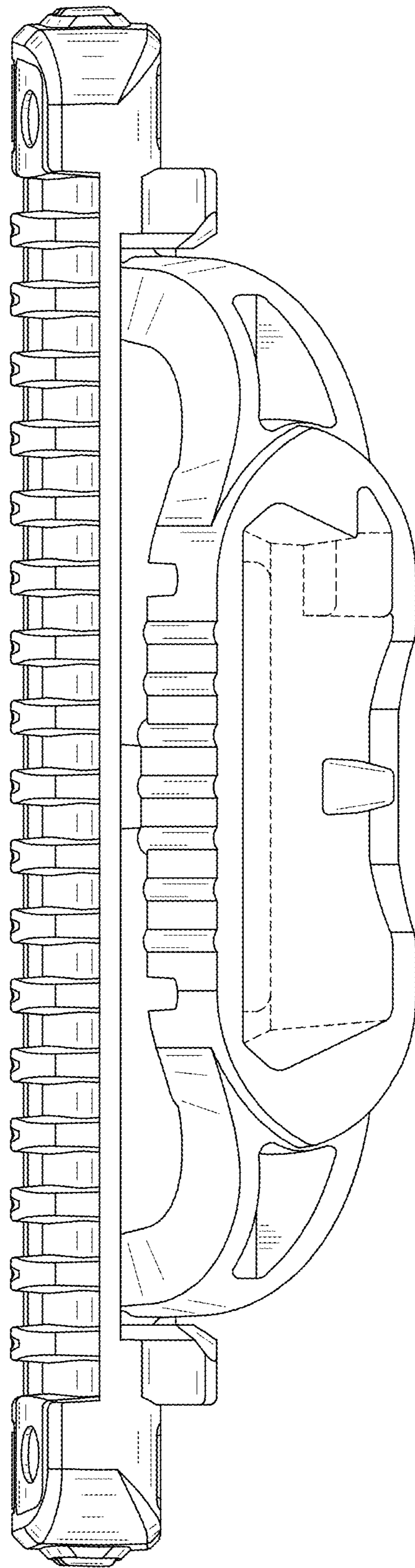


FIG.4

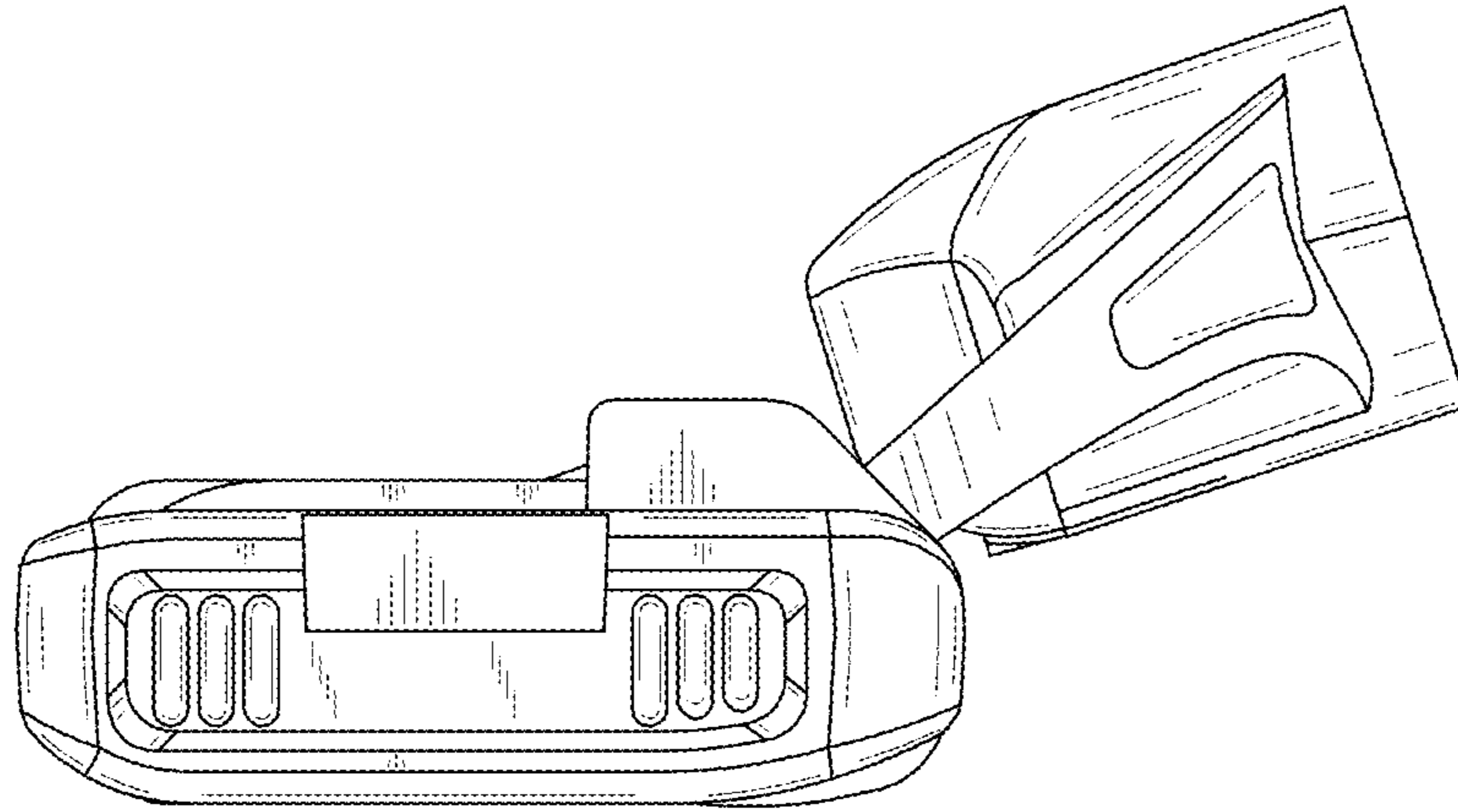


FIG. 5

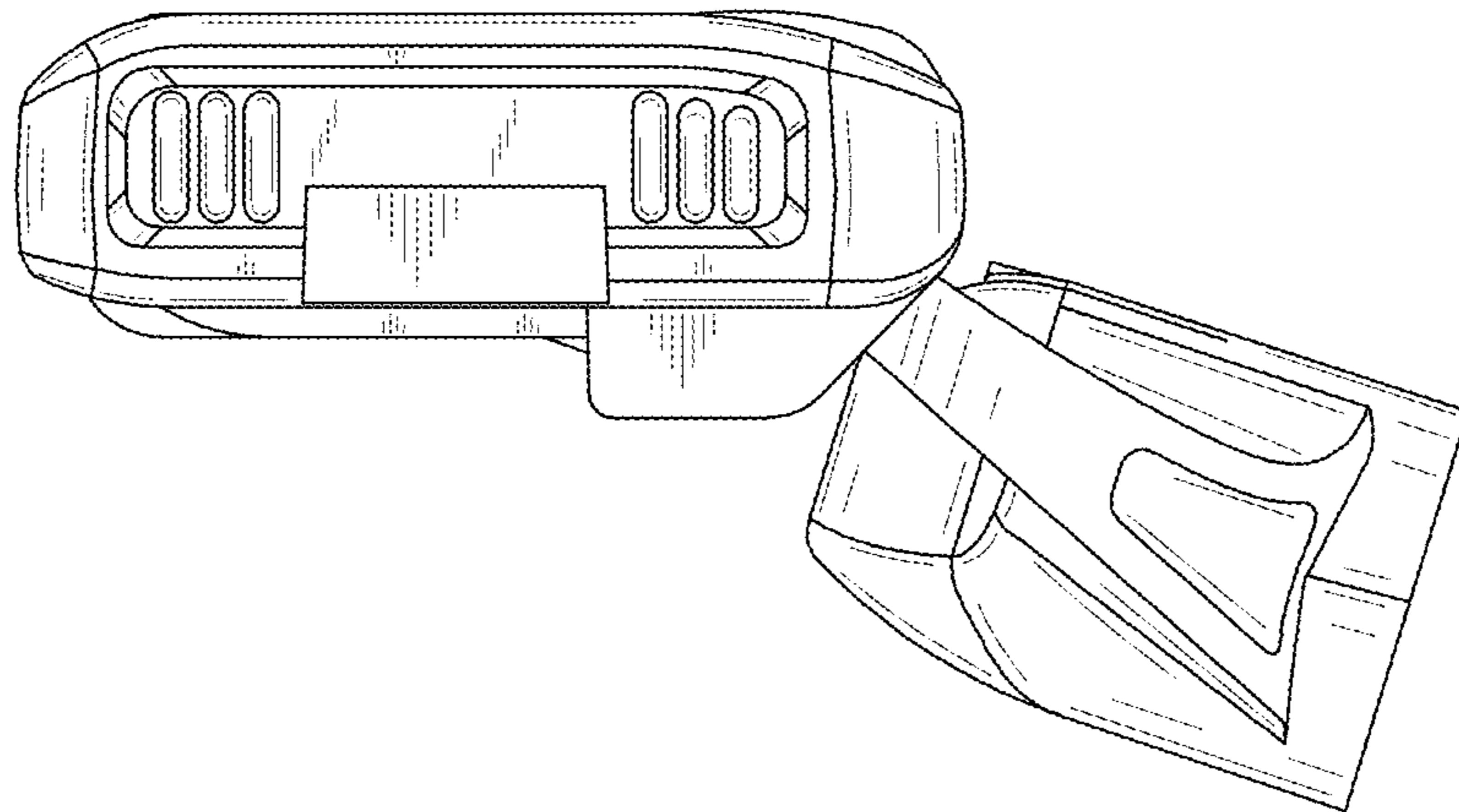


FIG. 6

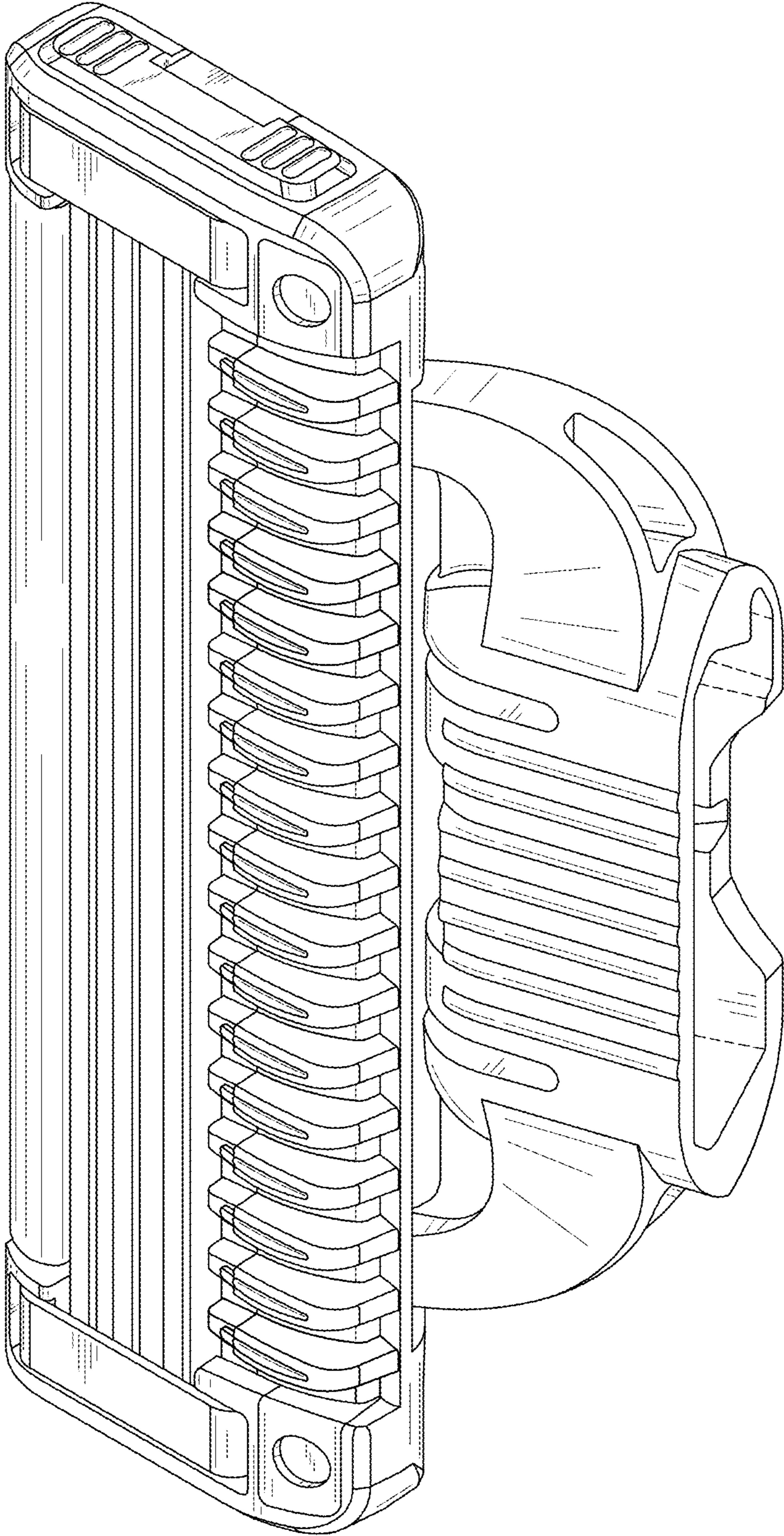


FIG.7

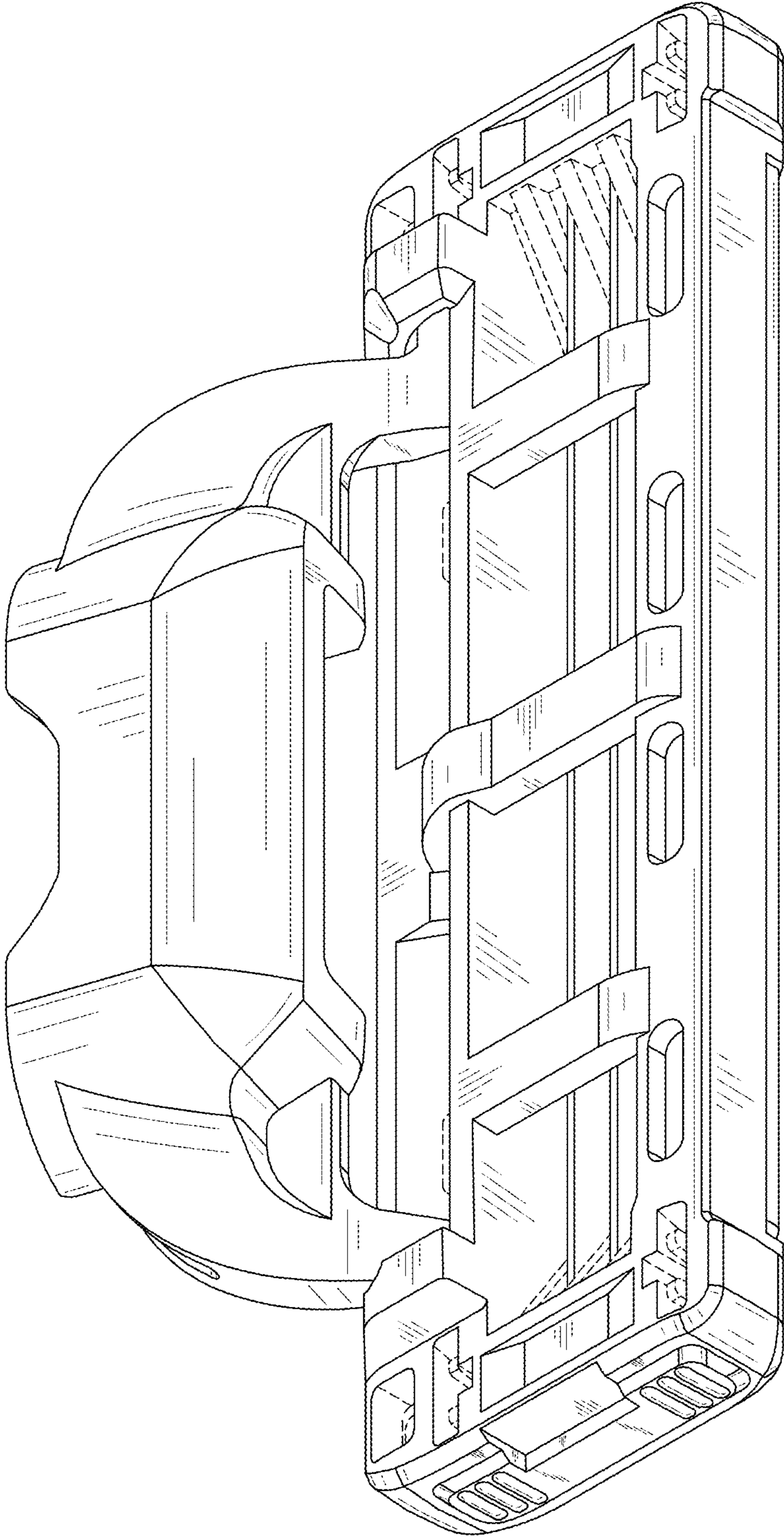


FIG.8