



US00D970813S

(12) **United States Design Patent** (10) **Patent No.:** **US D970,813 S**
Ruan (45) **Date of Patent:** **** Nov. 22, 2022**

(54) **SHAVER**
(71) Applicant: **Zhuojian Ruan, Yangjiang (CN)**
(72) Inventor: **Zhuojian Ruan, Yangjiang (CN)**
(**) Term: **15 Years**
(21) Appl. No.: **29/845,047**
(22) Filed: **Jul. 4, 2022**
(51) **LOC (13) Cl.** **28-03**
(52) **U.S. Cl.**
USPC **D28/44; D28/59**
(58) **Field of Classification Search**
USPC D24/209, 214, 133, 147; D28/44, 44.1,
D28/58-59
CPC A45D 2026/0095; A45D 26/00; A45D
26/0004-0009; A45D 26/0057; A45D
26/0071; A45D 29/04; A45D 29/18;
A45D 2029/045; A61B 2018/0047; A61B
17/54
See application file for complete search history.

2011/0270274 A1* 11/2011 Hull, Jr. A45D 34/04
606/131
2015/0201969 A1* 7/2015 Dugo A61B 17/54
606/131
2017/0354438 A1* 12/2017 Nguyen A61B 17/54
2018/0235661 A1* 8/2018 Palushaj B24D 15/04
2020/0205859 A1* 7/2020 Comstock A61B 17/54

FOREIGN PATENT DOCUMENTS

EP 3659464 A1 * 6/2020 A47K 7/026

OTHER PUBLICATIONS

Epilator for Women by Murzansi, www.amazon.com, 1 page, reviewed as early as Jun. 2022 (Year: 2022).*

* cited by examiner

Primary Examiner — Jennifer Rivard
(74) *Attorney, Agent, or Firm* — Jeenam Park

(57) **CLAIM**

The ornamental design for a shaver, as shown and described.

DESCRIPTION

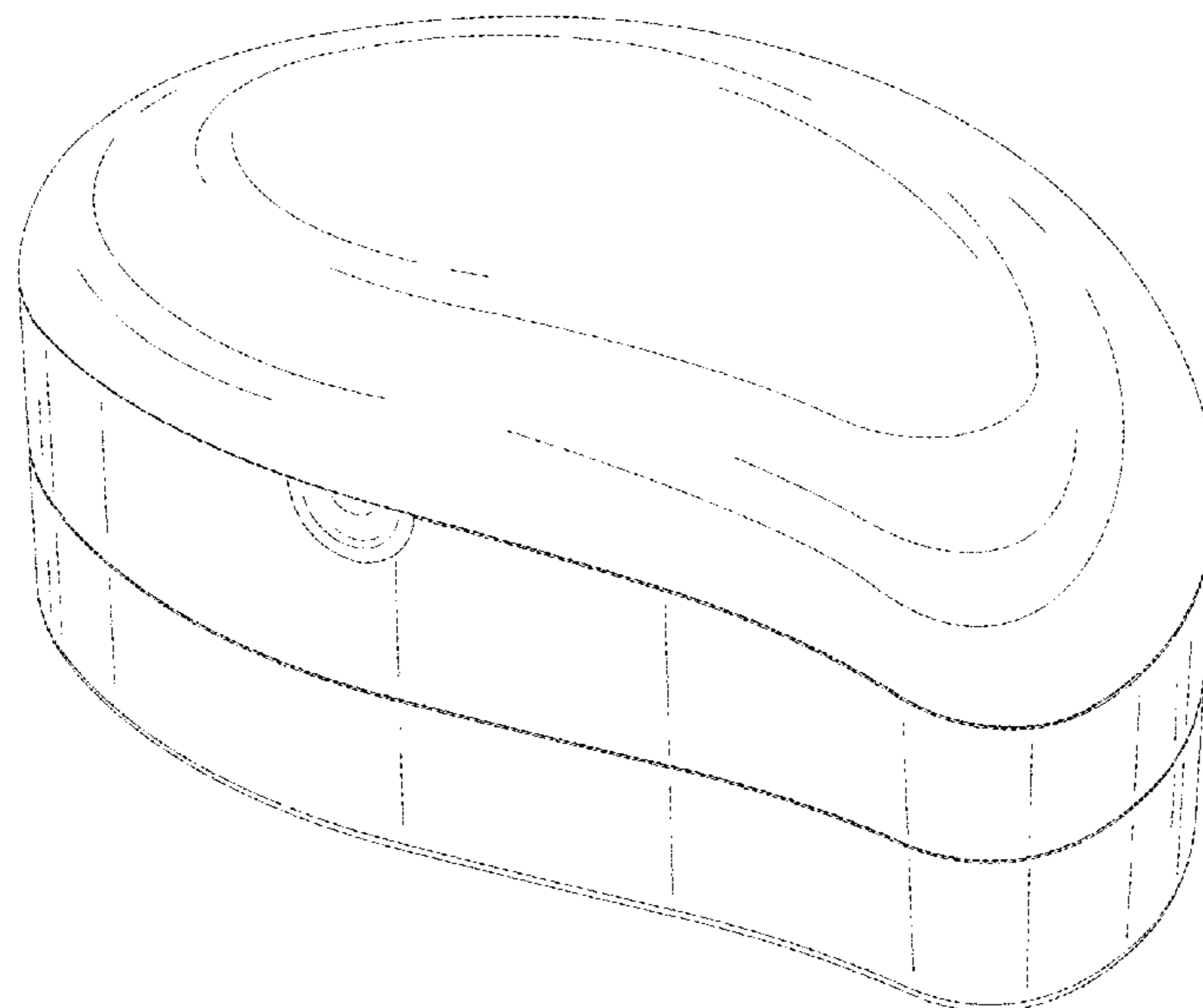
FIG. 1 is a perspective view of a shaver, showing my new design;
FIG. 2 is another perspective view thereof;
FIG. 3 is a perspective view in the open configuration thereof;
FIG. 4 is a front view thereof;
FIG. 5 is a rear view thereof;
FIG. 6 is a left side view thereof;
FIG. 7 is a right side view thereof;
FIG. 8 is a top plan view thereof; and,
FIG. 9 is a bottom plan view thereof.
The broken lines shown in the drawings illustrate portions of the shaver that form no part of the claimed design.

1 Claim, 9 Drawing Sheets

(56) **References Cited**

U.S. PATENT DOCUMENTS

D596,353 S * 7/2009 Yang D28/59
D596,802 S * 7/2009 Yang D28/59
D631,199 S * 1/2011 Helm D28/59
D643,153 S * 8/2011 Howlett D28/59
D676,605 S * 2/2013 Marden D28/59
D687,286 S * 8/2013 Ali D8/90
D687,596 S * 8/2013 Norine D28/8.1
D747,552 S * 1/2016 Comstock D28/59
D824,104 S 7/2018 Boulanger
D861,247 S * 9/2019 Barbaglia D28/44
10,405,632 B2 * 9/2019 King A45D 29/00
D872,370 S * 1/2020 Khubani D28/59
D886,384 S * 6/2020 Khubani D28/59
D918,474 S 5/2021 Lu
D945,705 S * 3/2022 Lu D28/58
2004/0248751 A1 * 12/2004 Johnson B65D 75/08
510/141



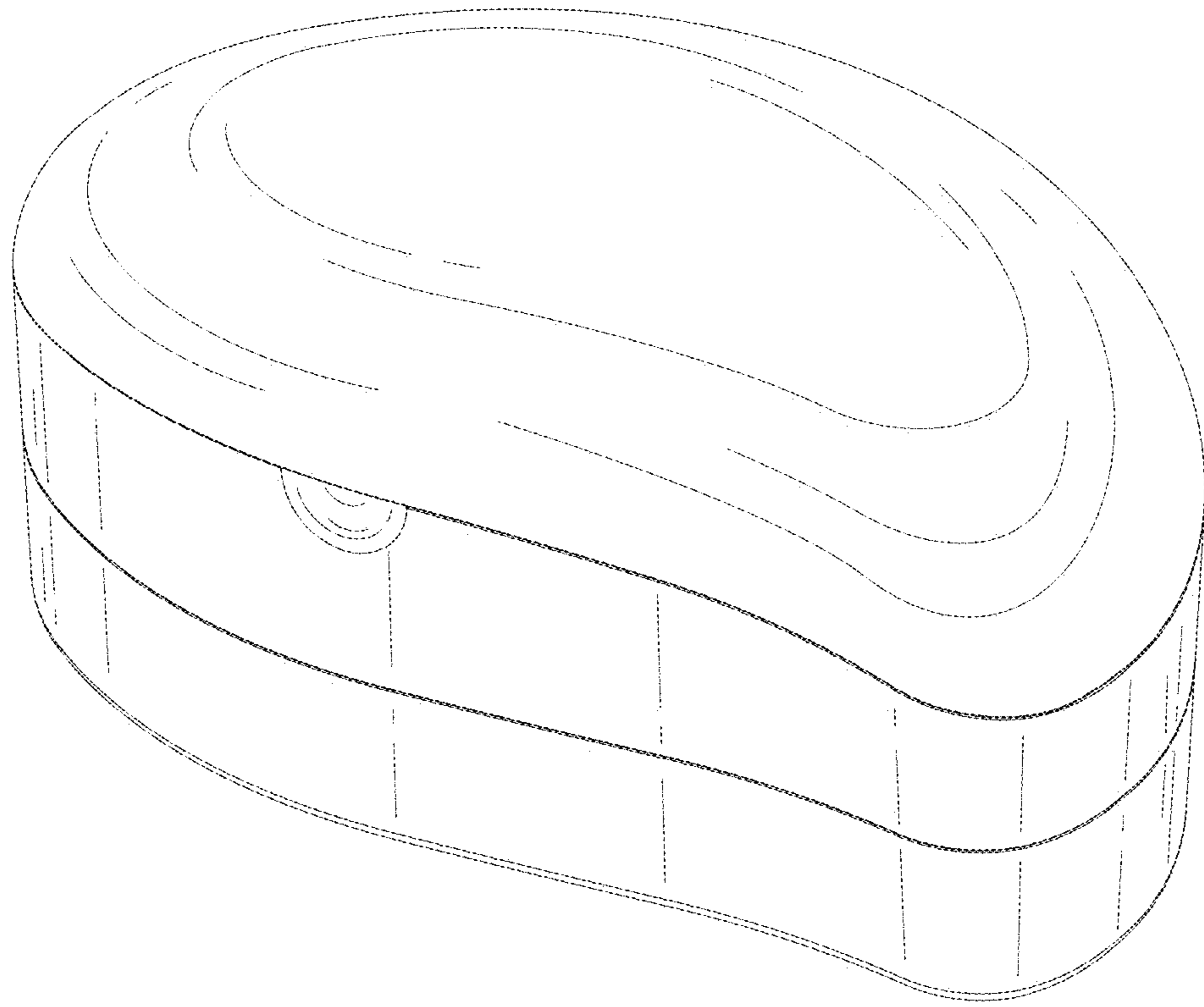


FIG. 1

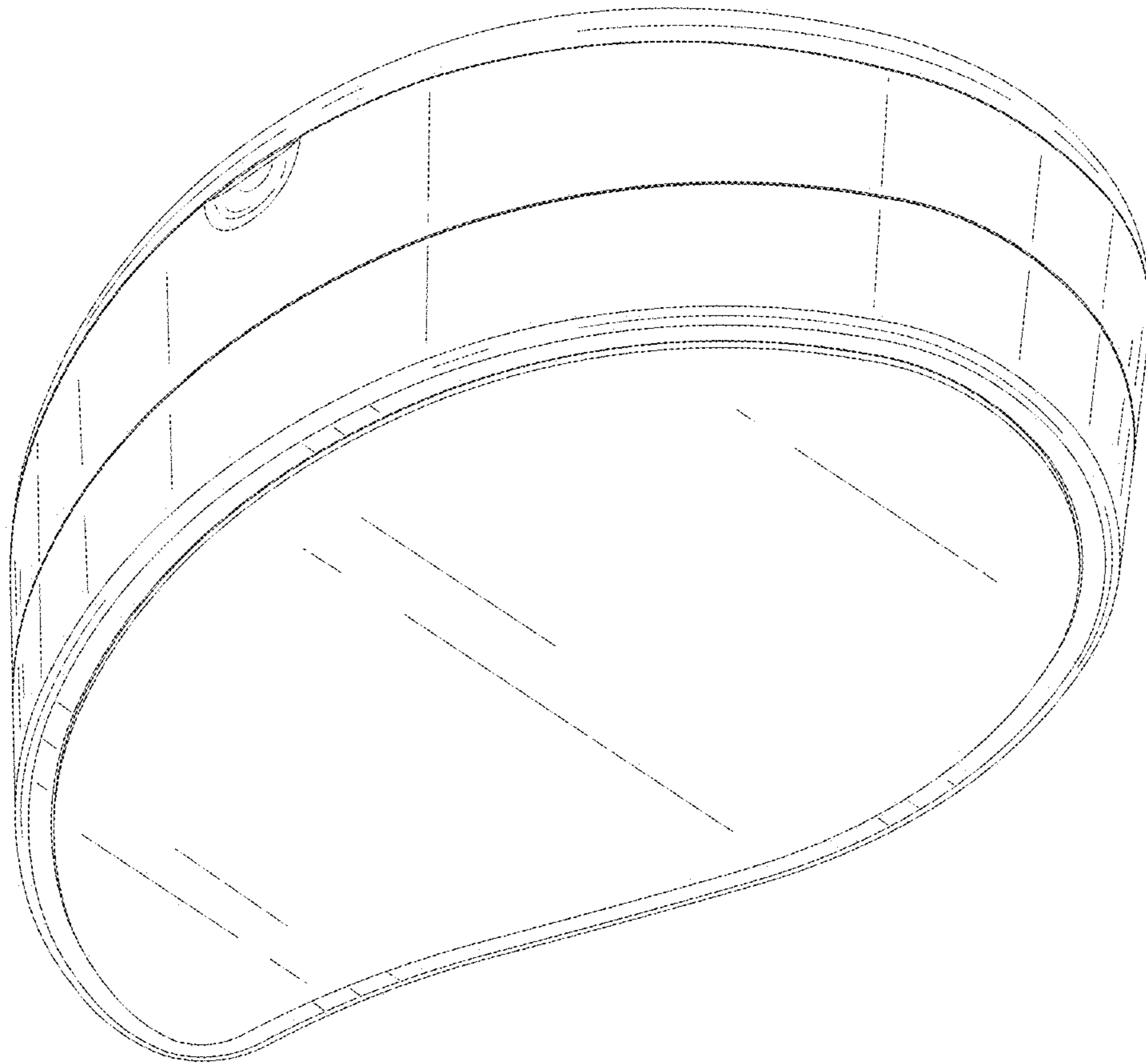


FIG. 2

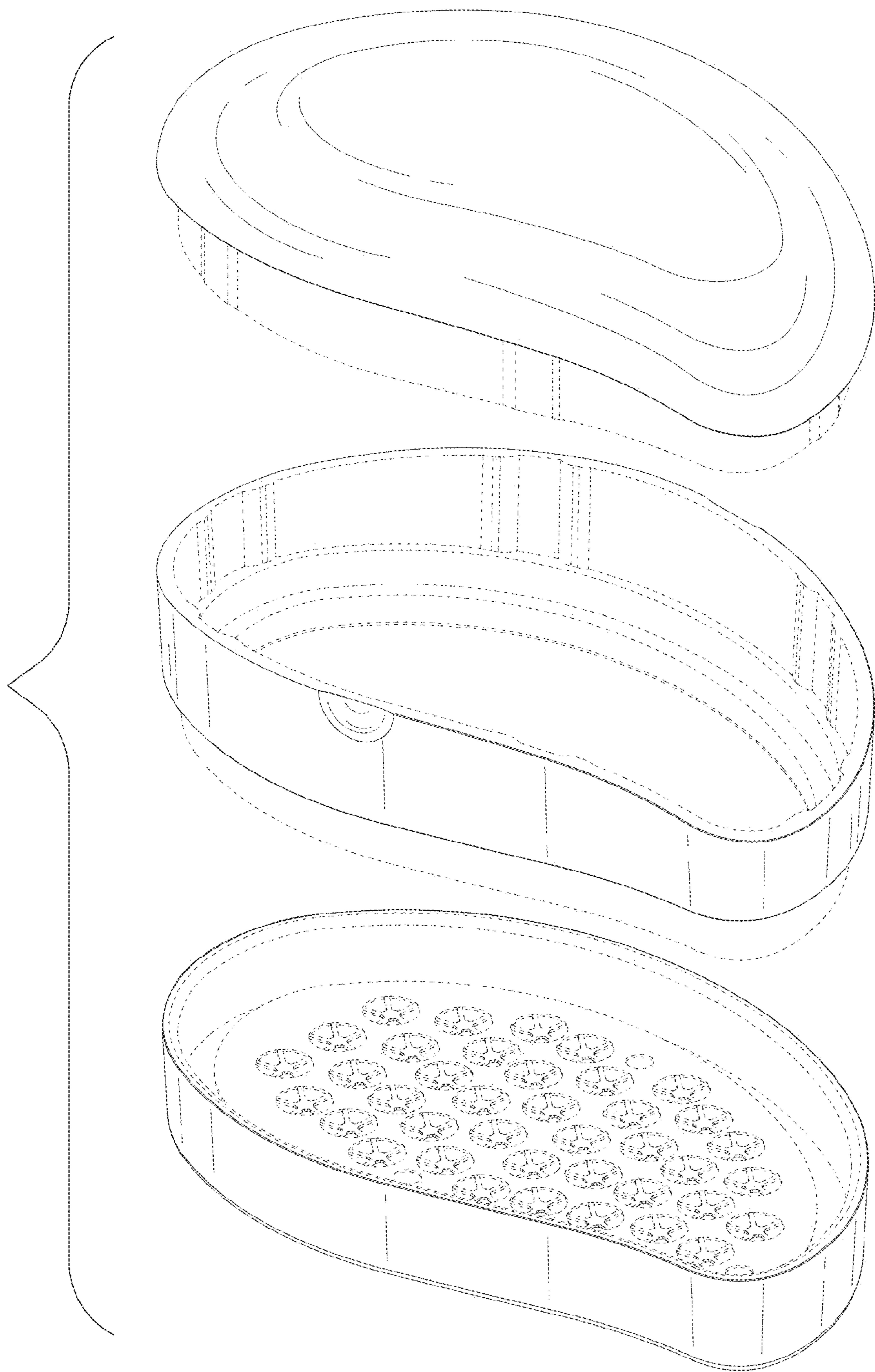


FIG. 3

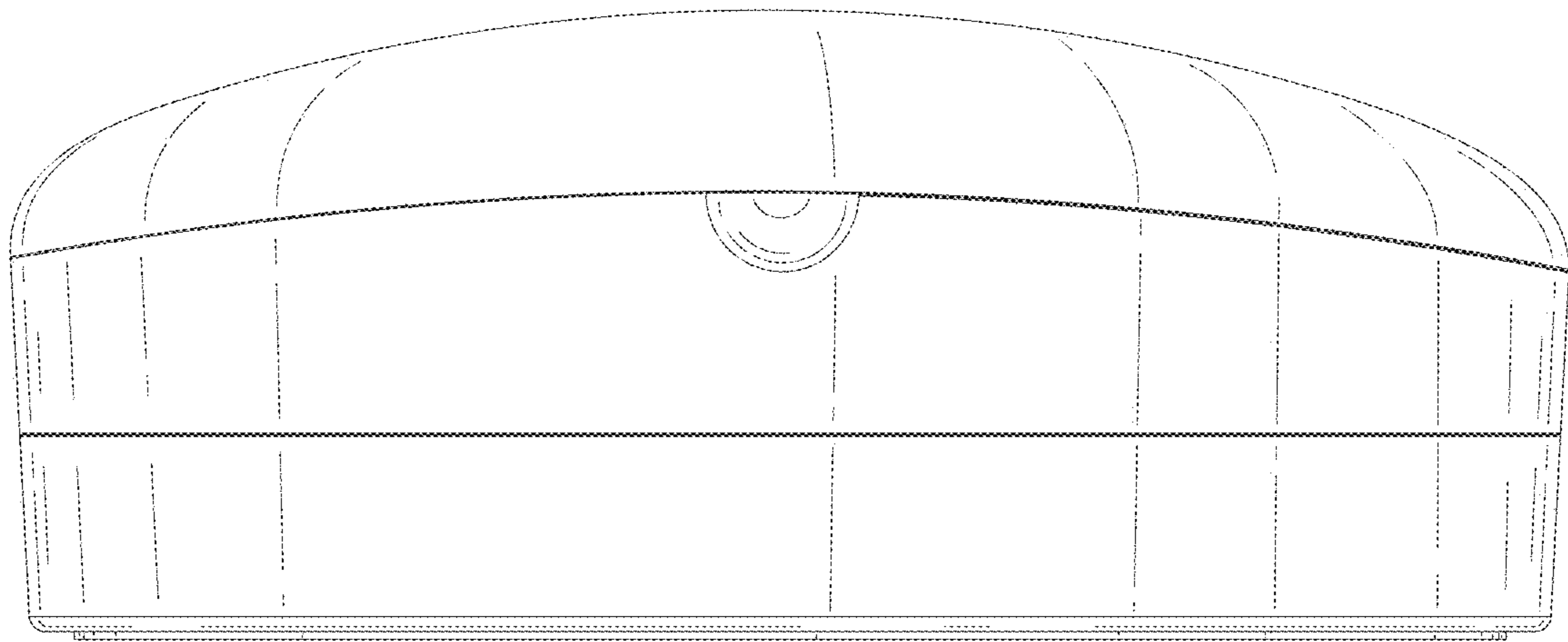


FIG. 4

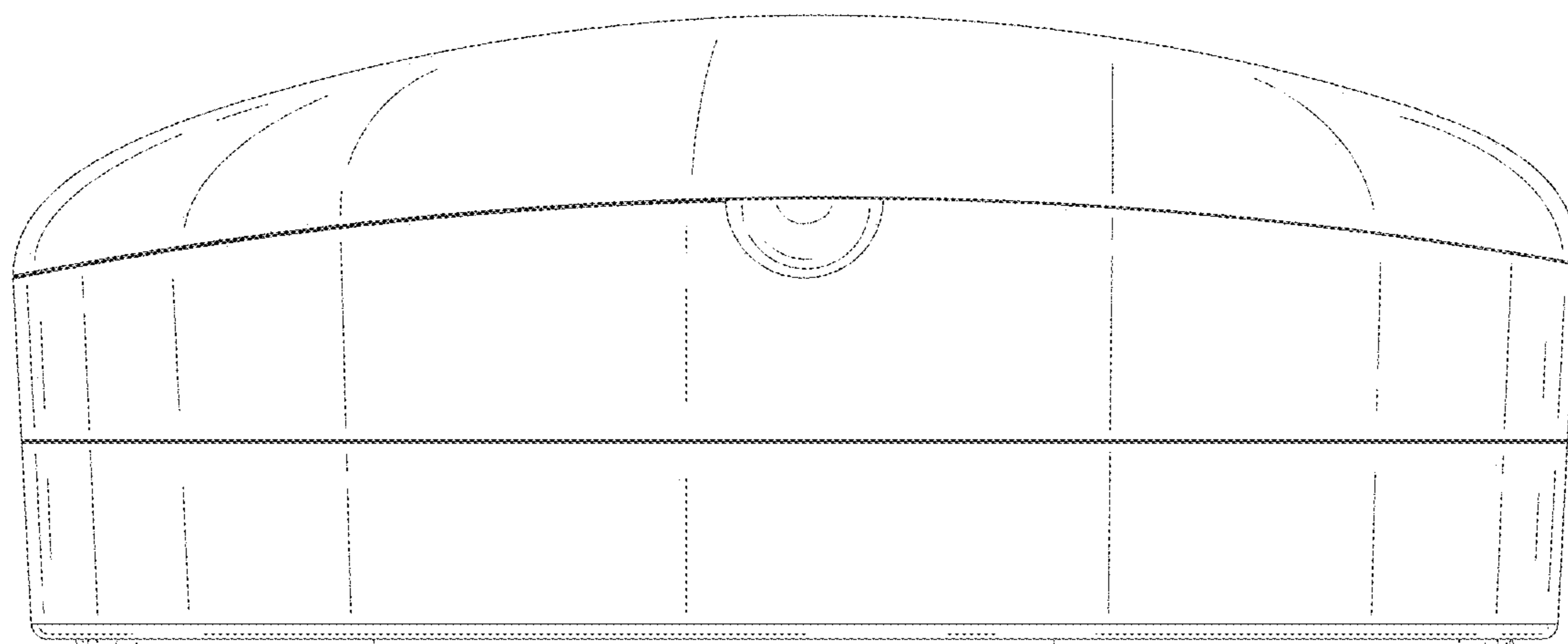


FIG. 5

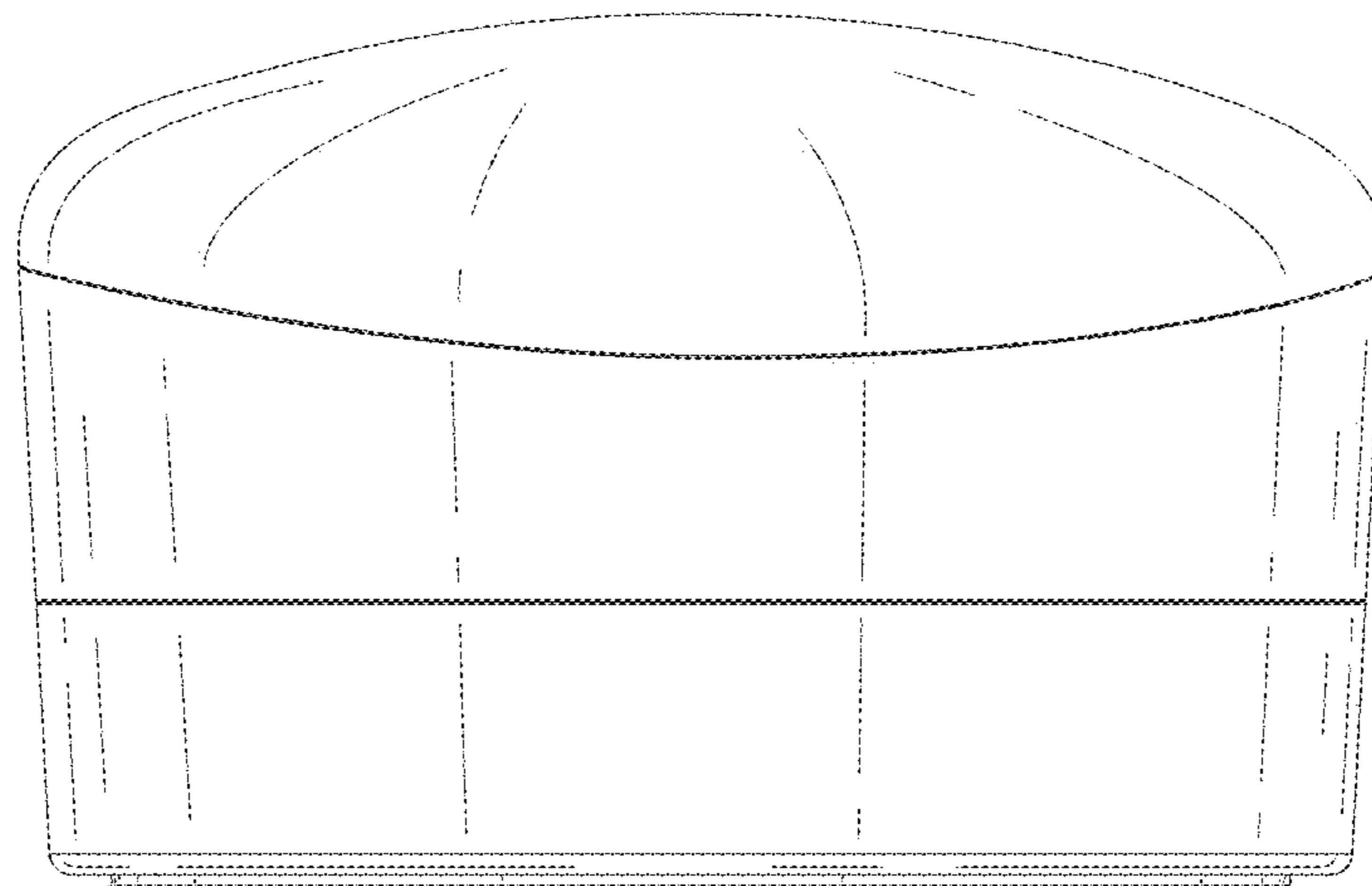


FIG. 6

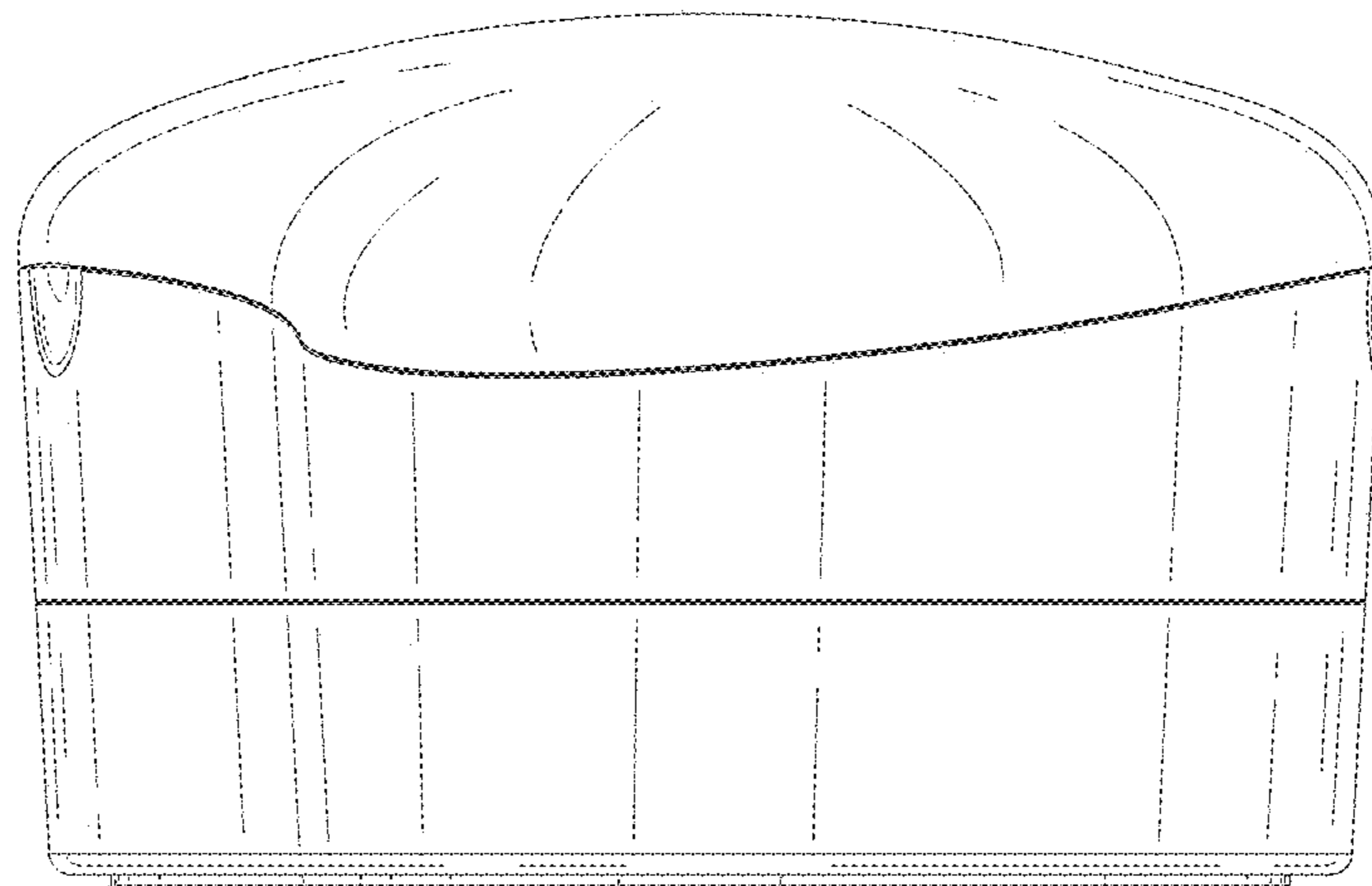


FIG. 7

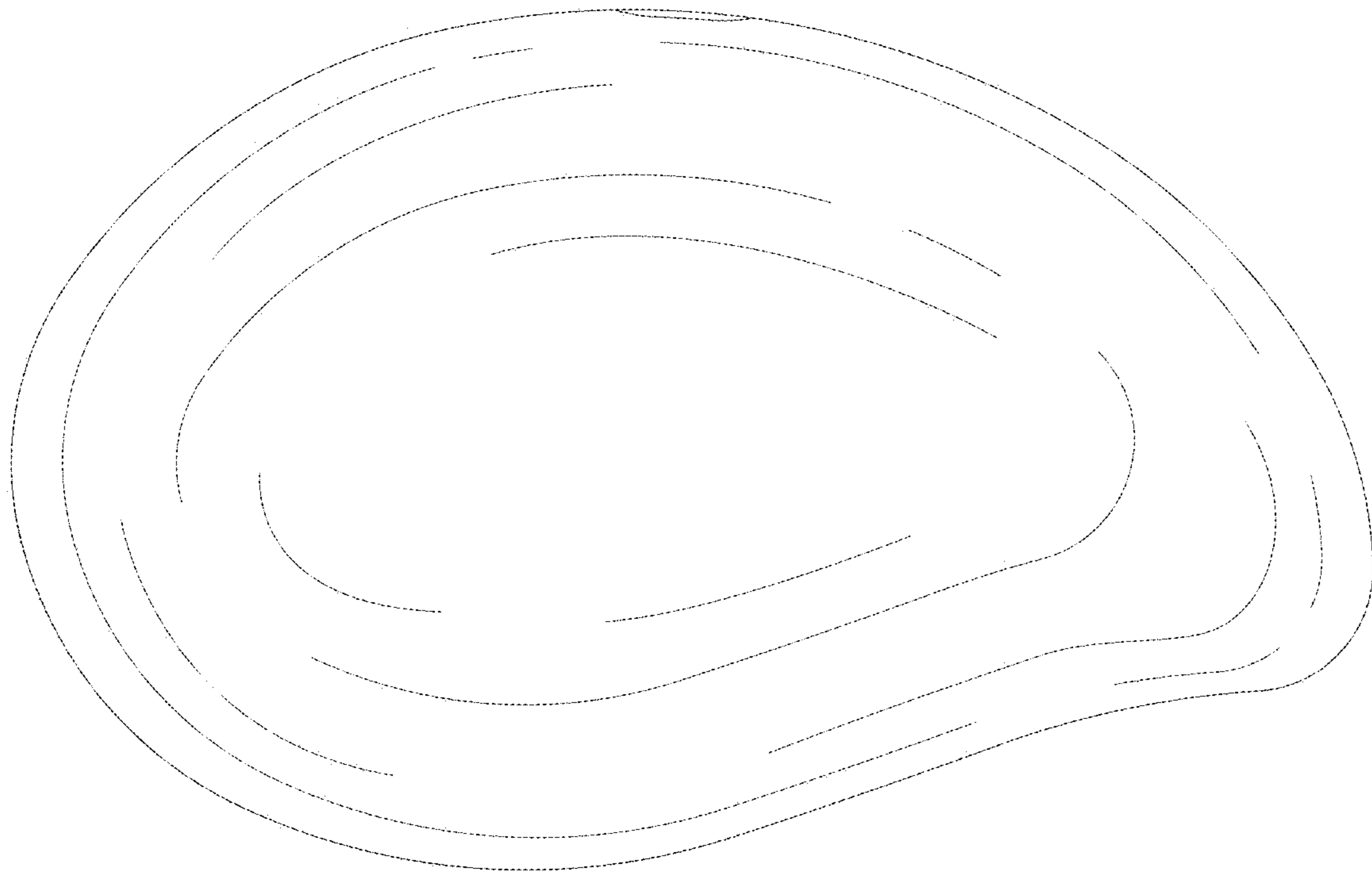


FIG. 8

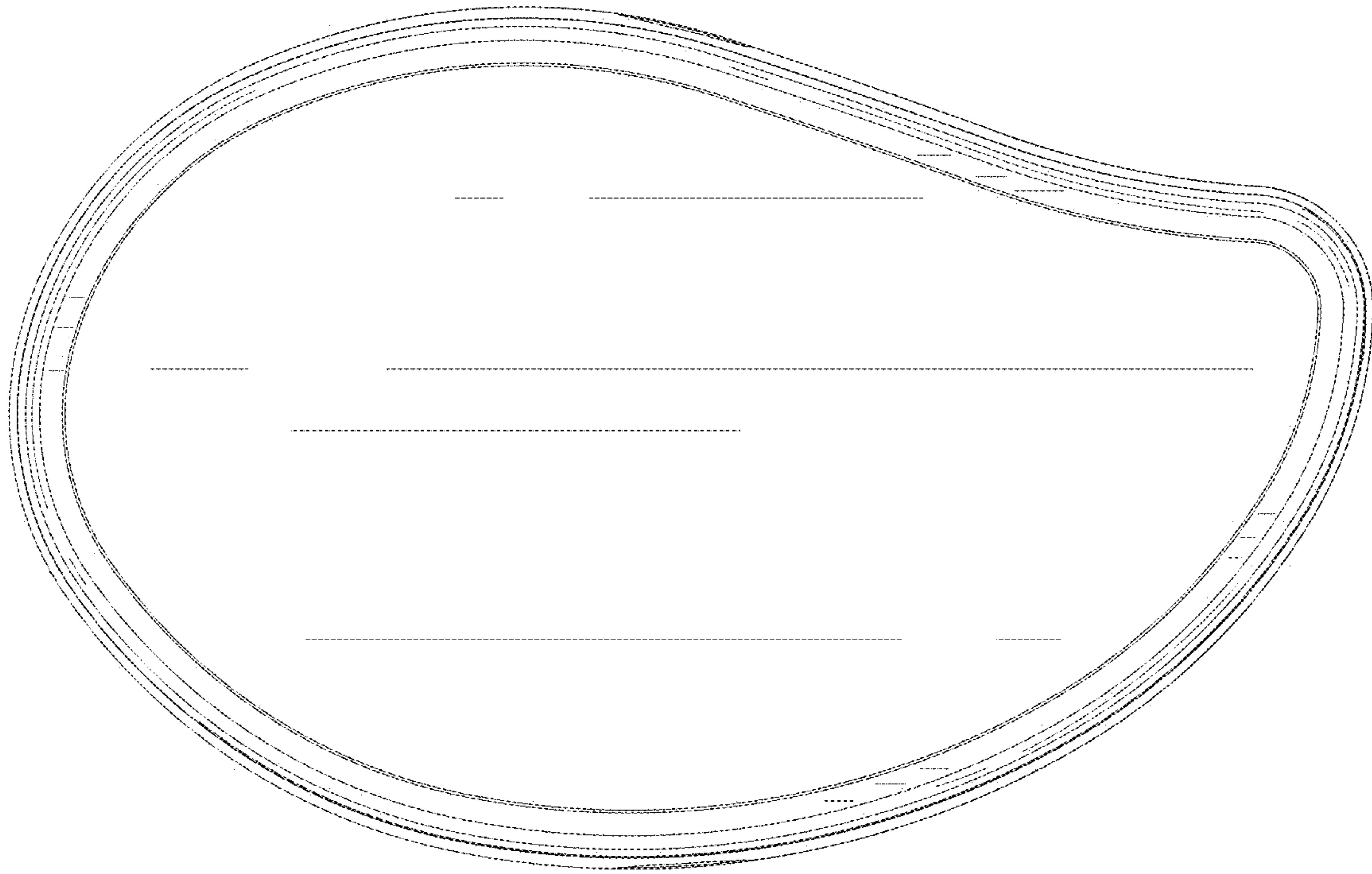


FIG. 9