



US00D970808S

(12) **United States Design Patent**
Huang

(10) **Patent No.:** **US D970,808 S**

(45) **Date of Patent:** **** Nov. 22, 2022**

(54) **HAIR DRIER**

(71) Applicant: **GUANGDONG CONFU
ELECTRICAL APPLIANCES CO.,
LTD., Jieyang (CN)**

(72) Inventor: **Mincong Huang, Jieyang (CN)**

(73) Assignee: **GUANGDONG CONFU
ELECTRICAL APPLIANCES CO.,
LTD., Jieyang (CN)**

(**) Term: **15 Years**

(21) Appl. No.: **29/849,571**

(22) Filed: **Aug. 11, 2022**

(51) **LOC (13) Cl.** **28-03**

(52) **U.S. Cl.**
USPC **D28/13**

(58) **Field of Classification Search**
USPC D28/12-19; D8/29.1
CPC A45D 20/00; A45D 20/04; A45D 20/08;
A45D 20/10; A45D 20/12; A45D
2020/128
See application file for complete search history.

(56) **References Cited**

U.S. PATENT DOCUMENTS

D253,253 S * 10/1979 Rakocy D28/13
D257,492 S * 11/1980 Cousins D28/13

D277,417 S * 1/1985 Wistrand D28/13
D294,873 S * 3/1988 Ogawa D28/16
D782,733 S * 3/2017 Smith D28/13
D884,965 S * 5/2020 Liu D28/13
D912,315 S 3/2021 Shin et al.
D914,973 S * 3/2021 Huang D28/13
D919,175 S 5/2021 Yu et al.
D919,884 S * 5/2021 Huang D28/13

* cited by examiner

Primary Examiner — Zenia I Bennett

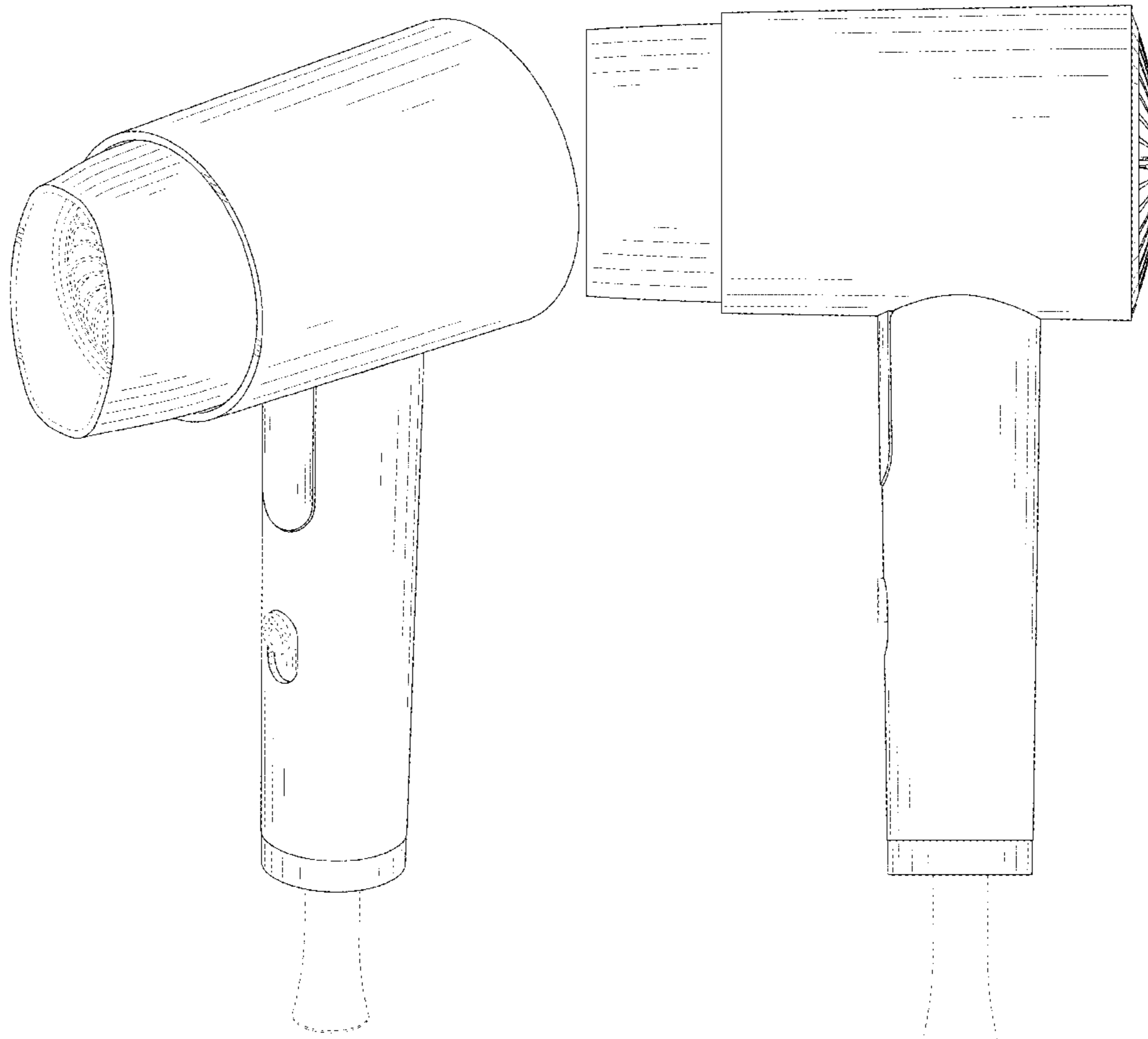
(57) **CLAIM**

The ornamental design for a hair drier, as shown and described.

DESCRIPTION

FIG. 1 is a perspective view of a hair drier showing my new design;
FIG. 2 is another perspective view thereof;
FIG. 3 is a front elevational view thereof;
FIG. 4 is a rear elevational view thereof;
FIG. 5 is a left side elevational view thereof;
FIG. 6 is a right side elevational view thereof;
FIG. 7 is a top plan view thereof;
FIG. 8 is a bottom plan view thereof;
FIG. 9 is a perspective view of the hair drier where the hair drier is in a folded state; and,
FIG. 10 is an enlarged view of portion 10 shown in FIG. 2. The dash-dash broken lines in the drawings depict portions of the hair drier that form no part of the claimed design. The dot-dash broken lines represent the boundary of the enlarged portion and form no part of the claimed design.

1 Claim, 10 Drawing Sheets



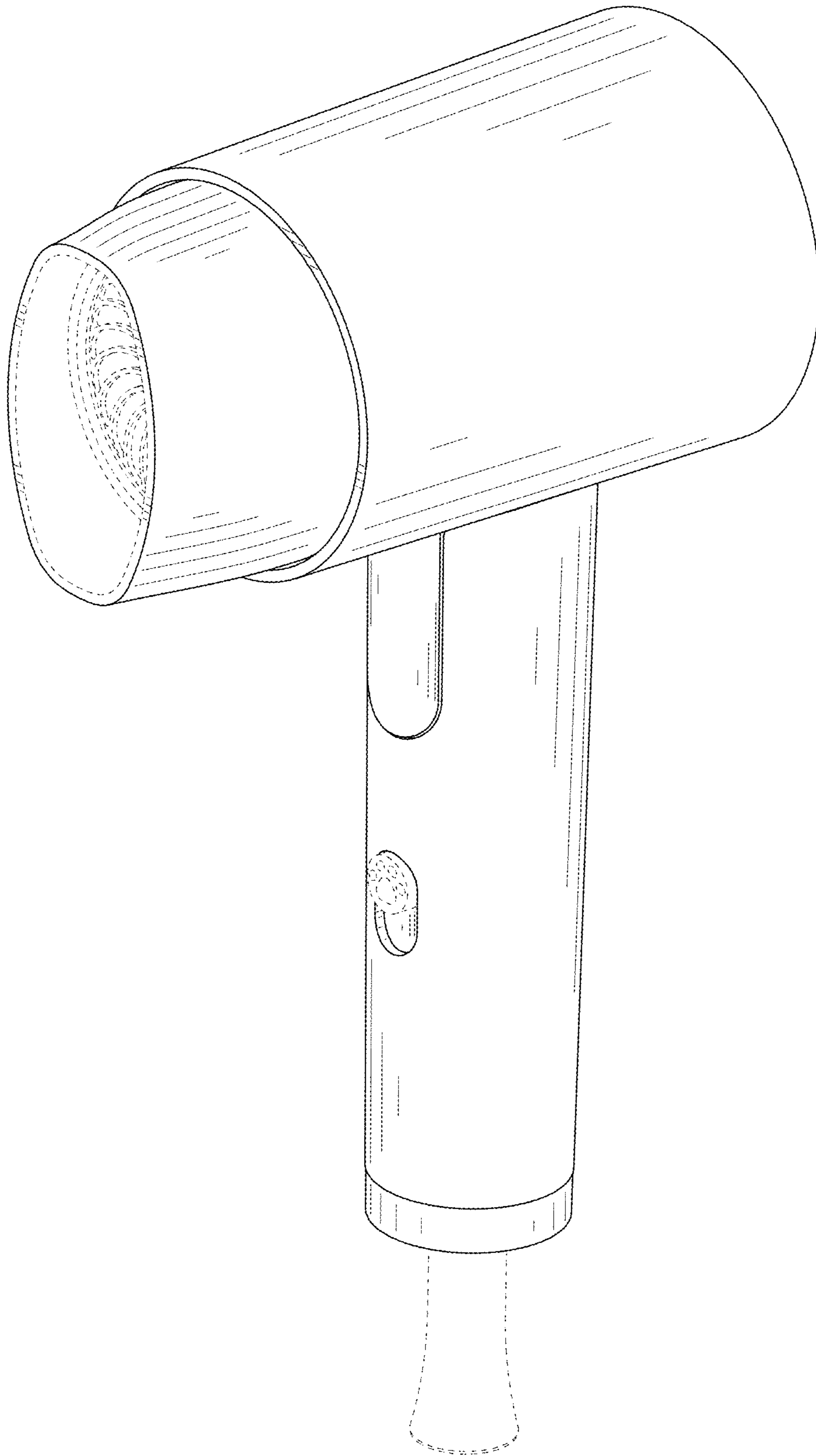


FIG. 1

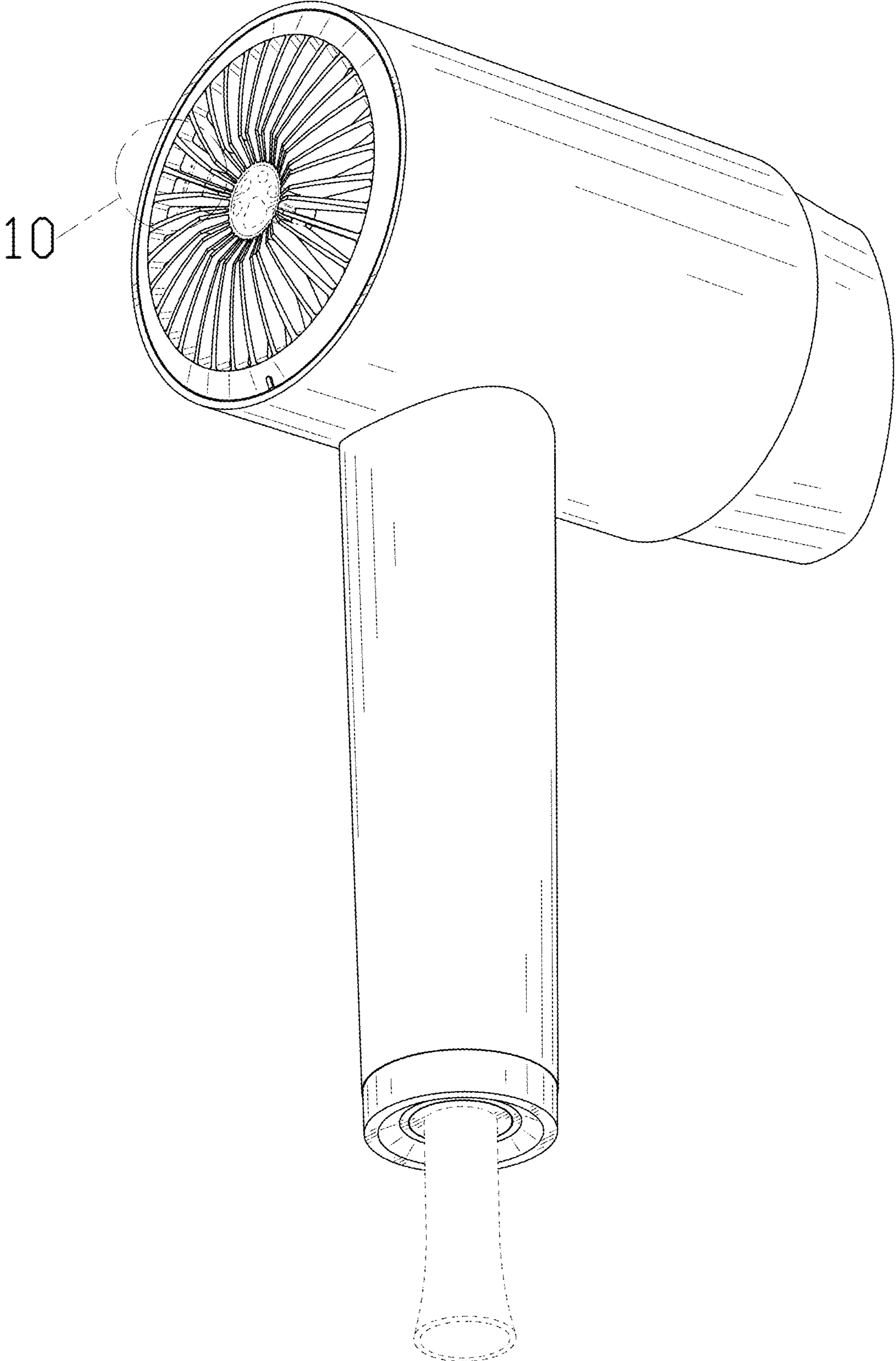


FIG. 2

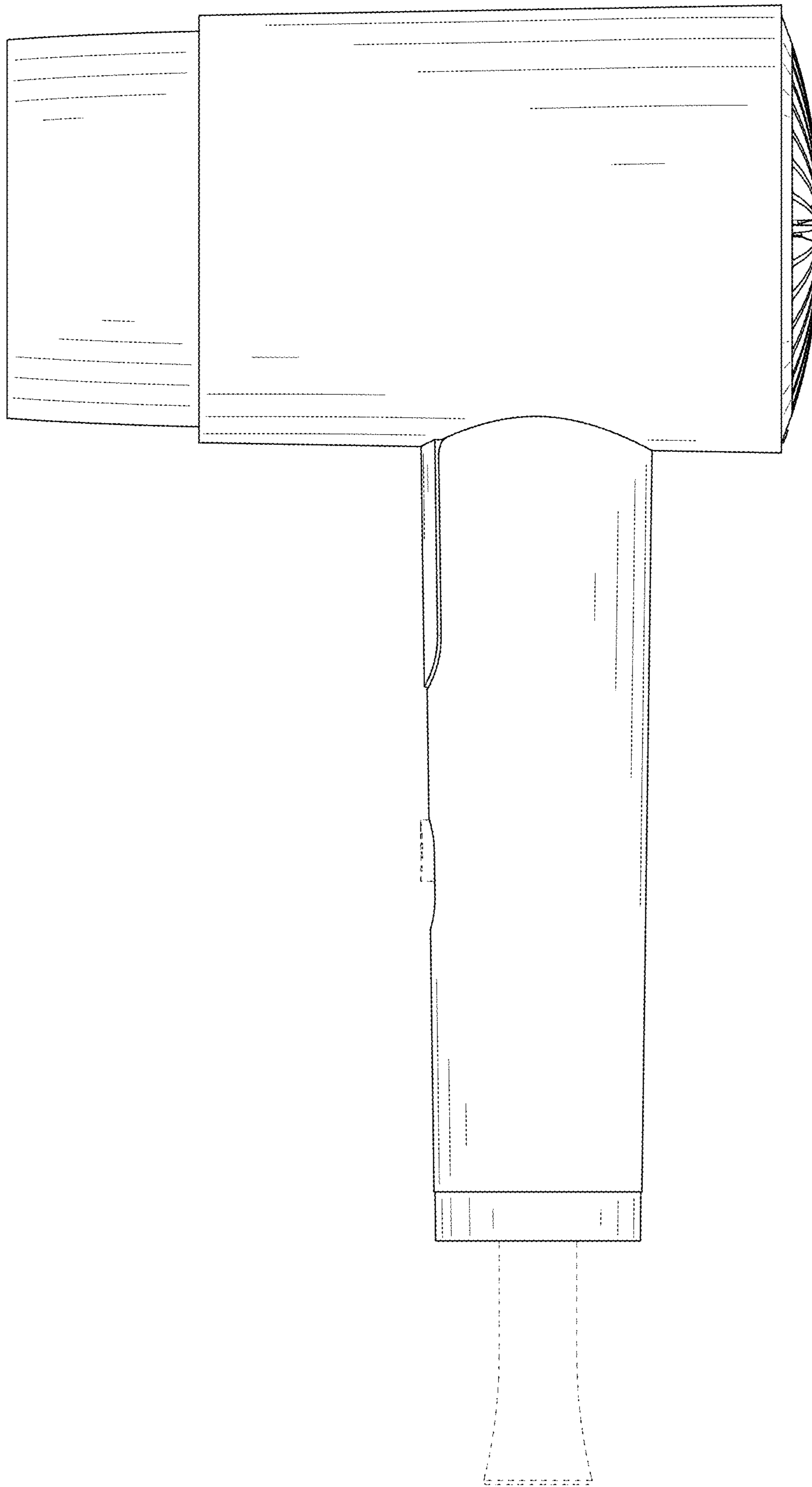


FIG. 3

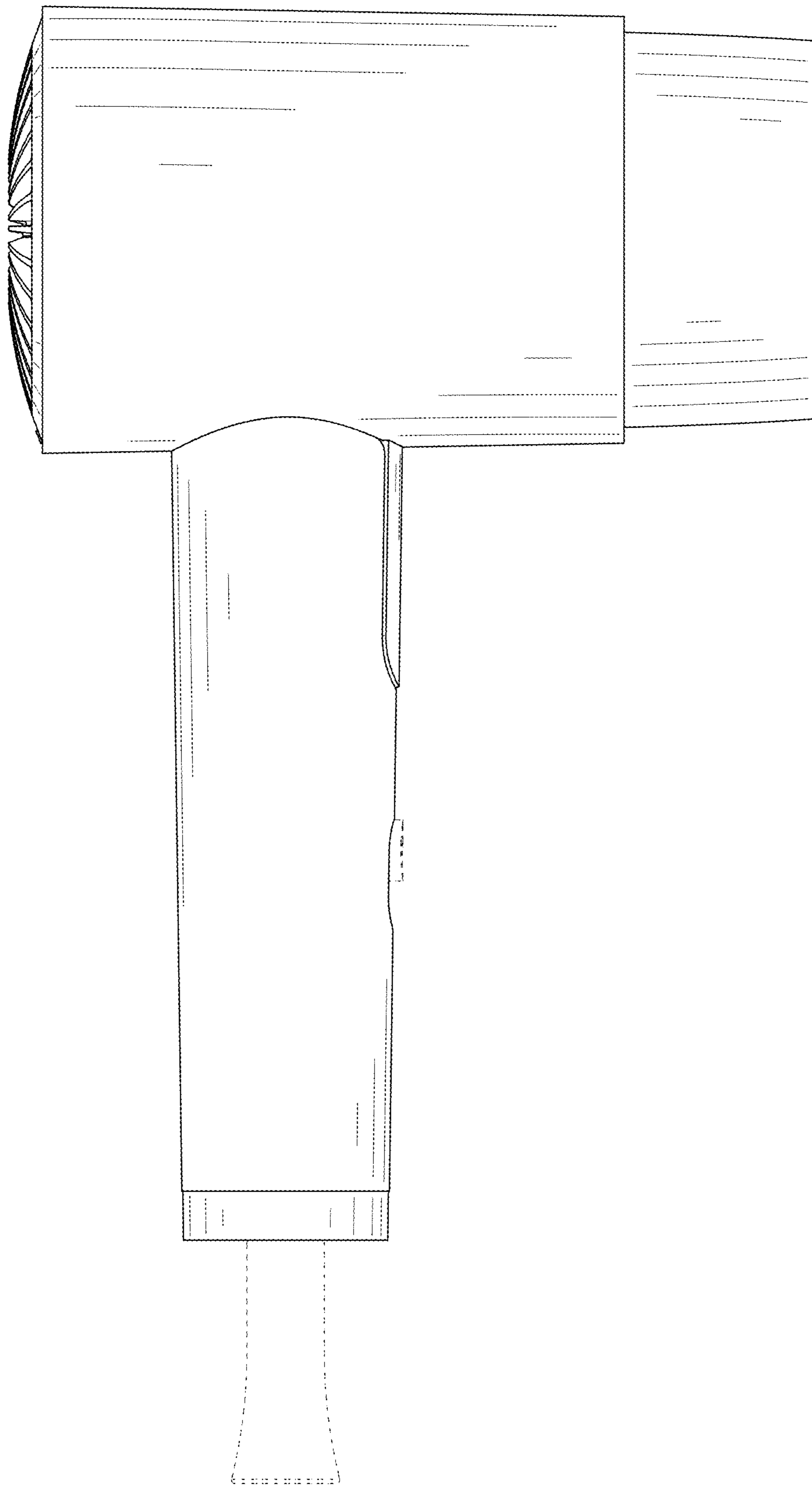


FIG. 4

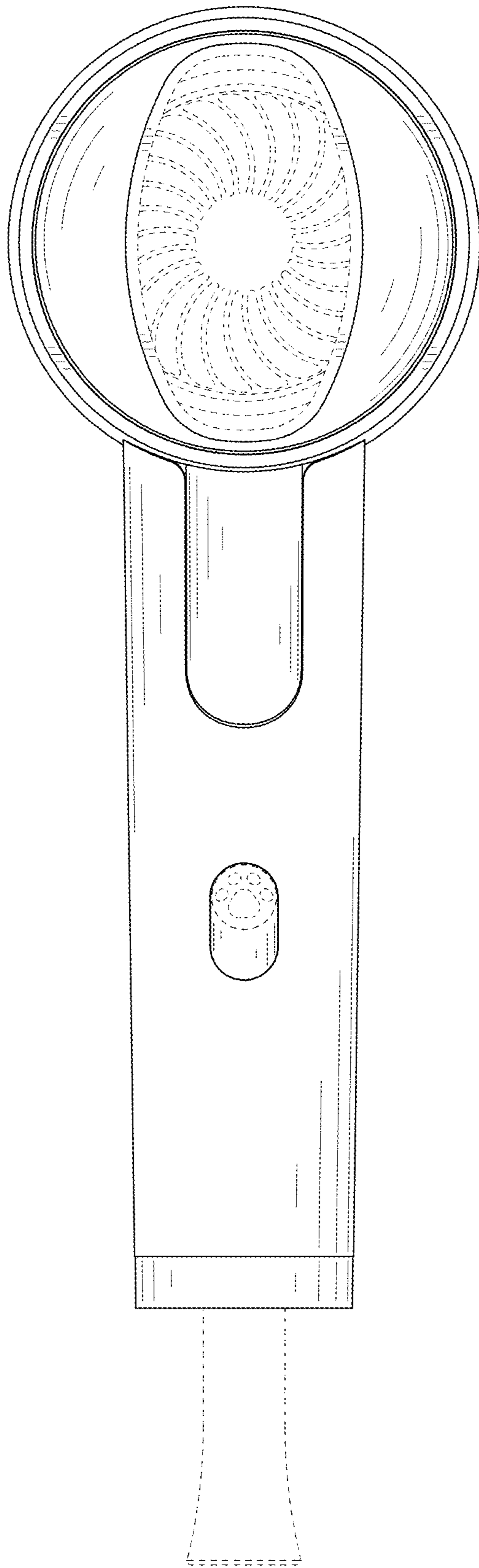


FIG. 5

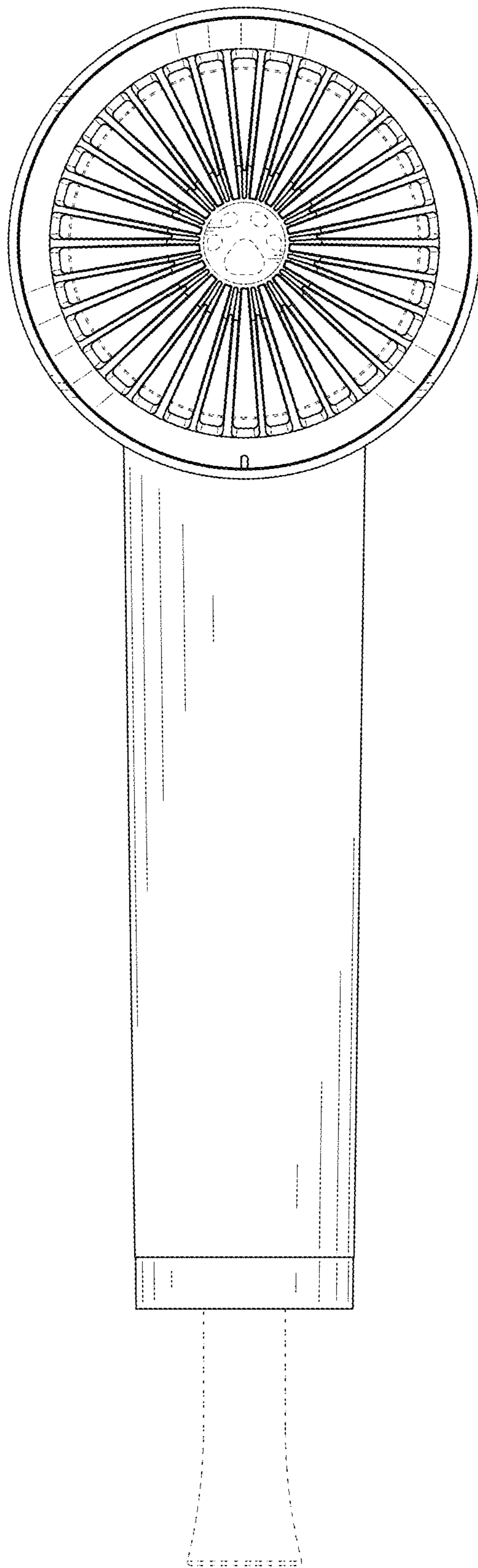


FIG. 6

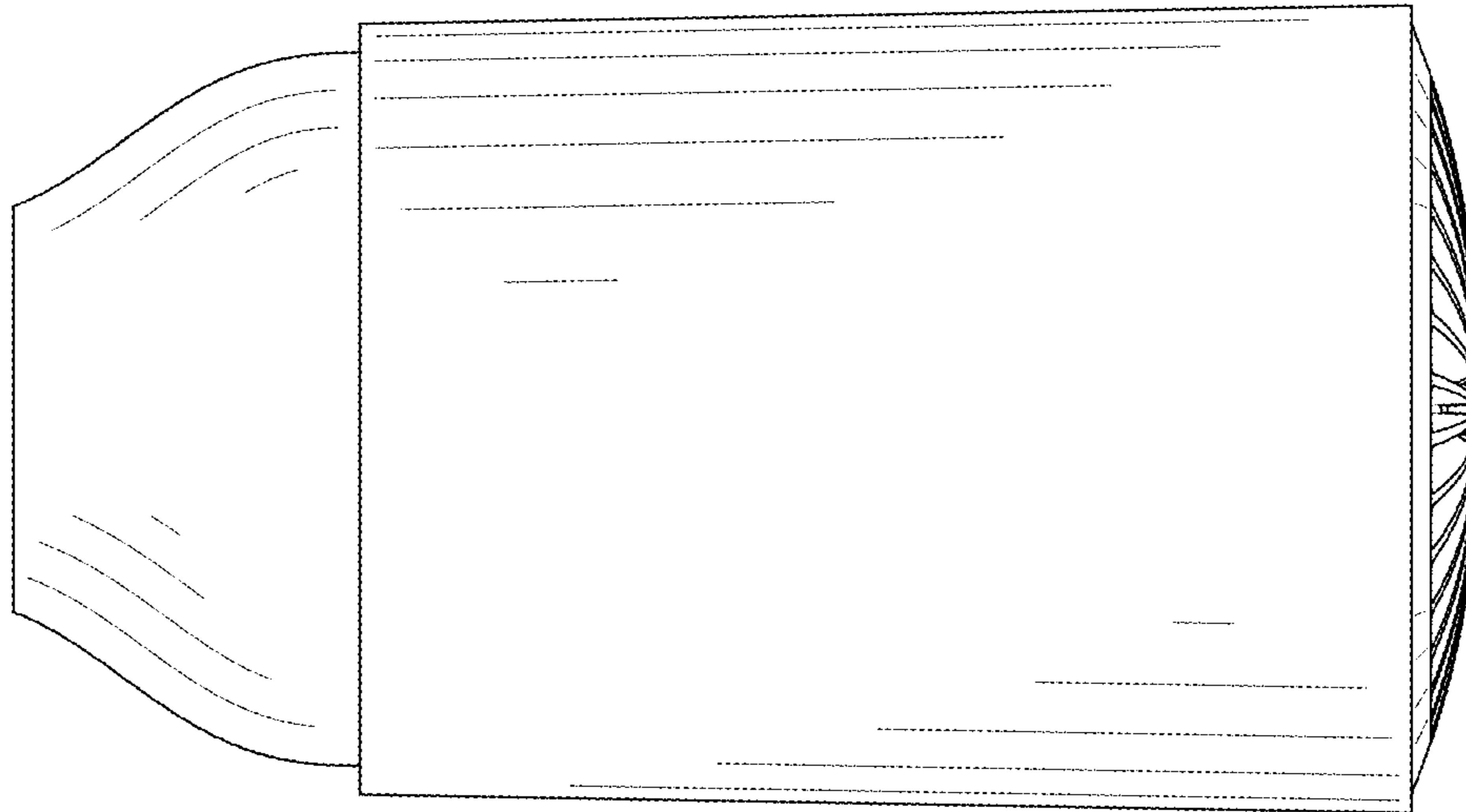


FIG. 7

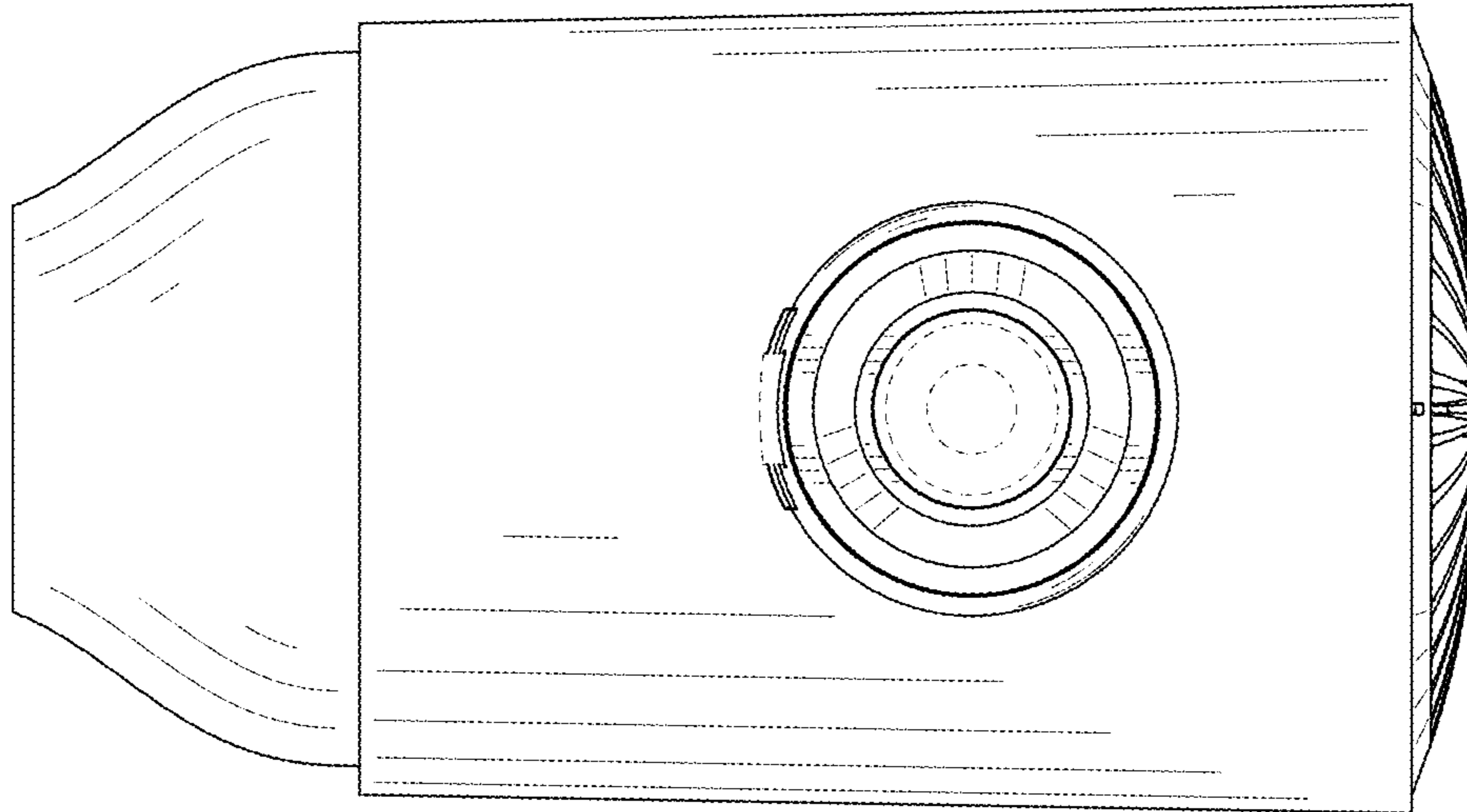


FIG. 8

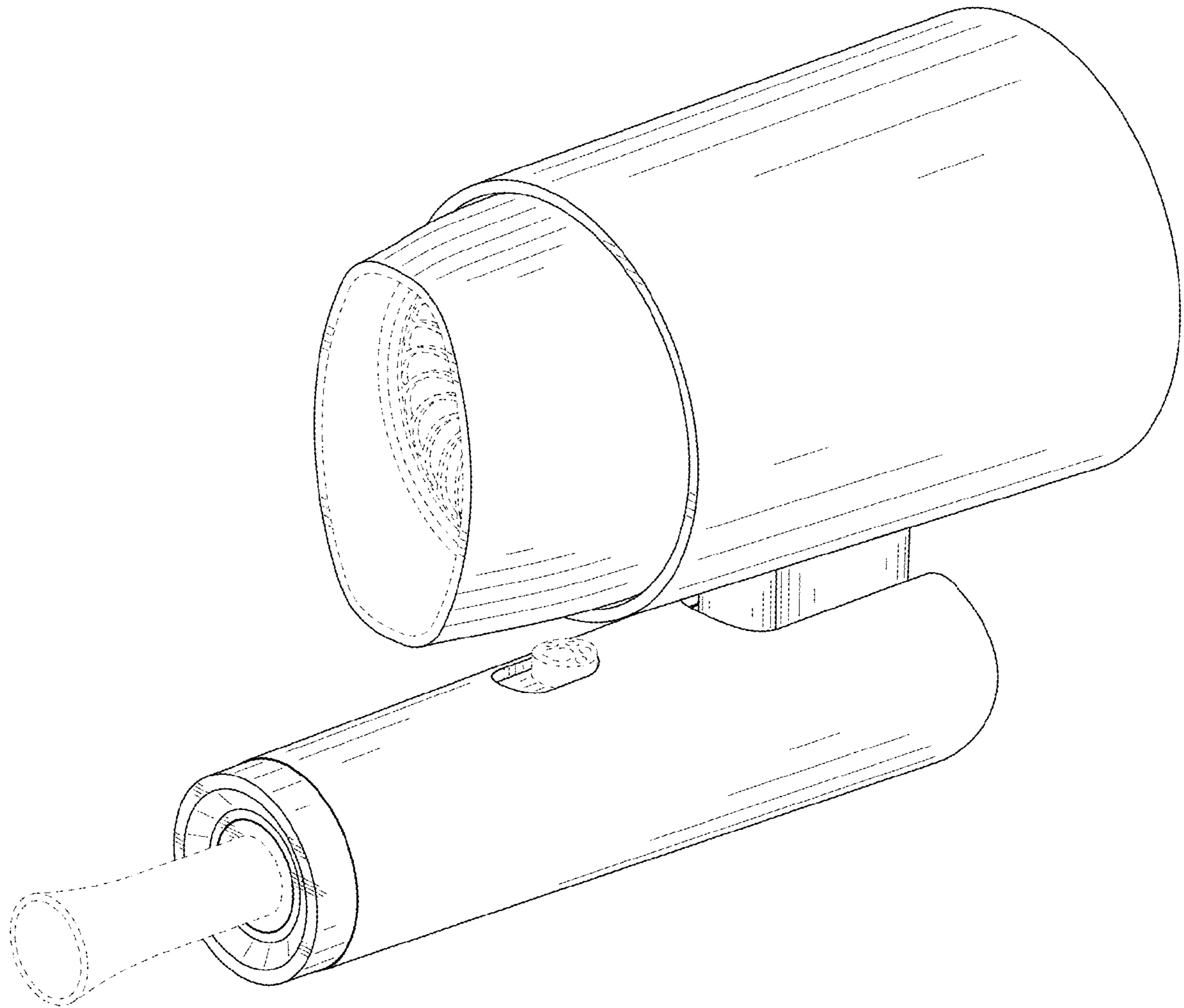


FIG. 9

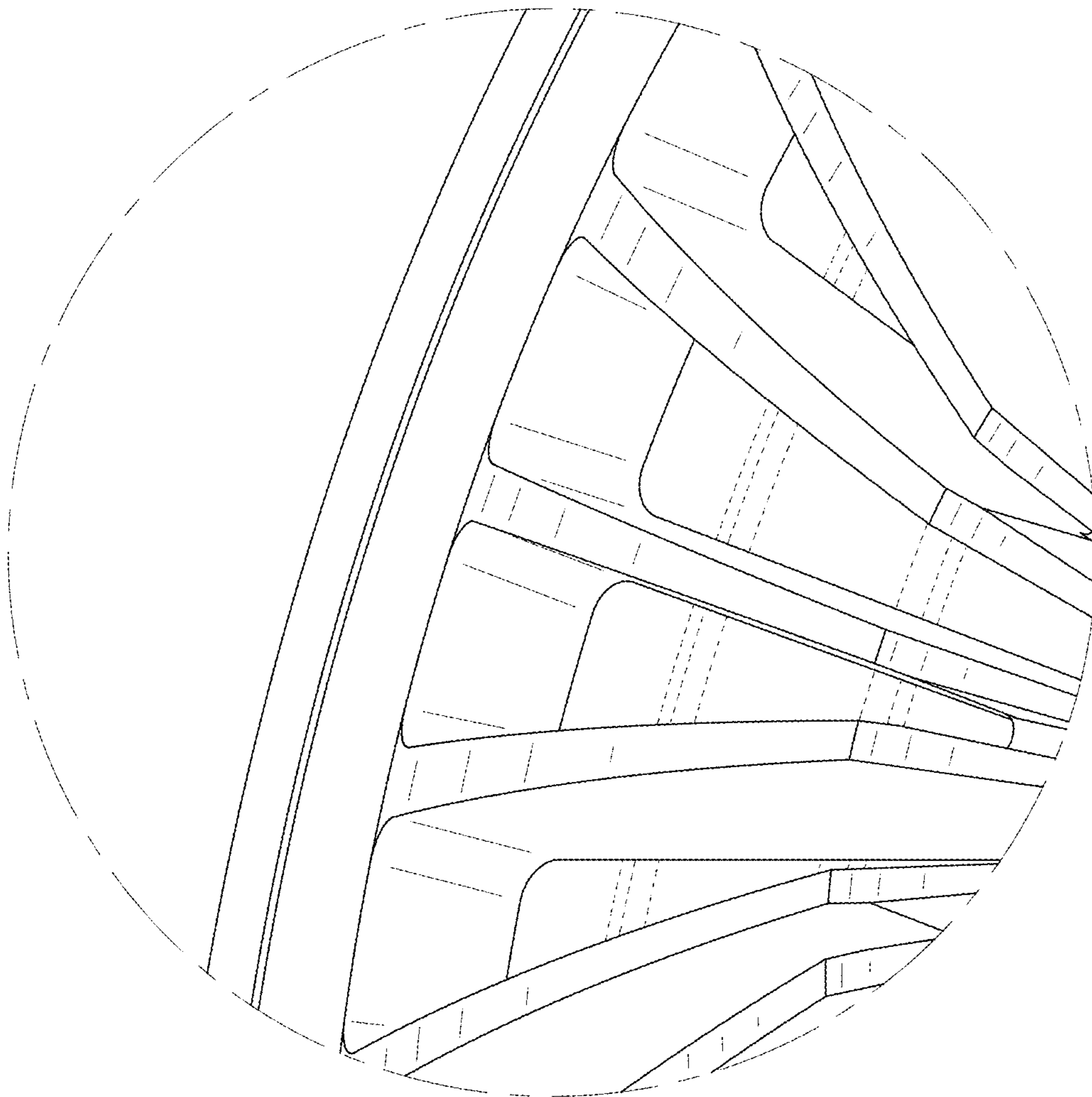


FIG. 10