



US00D970805S

(12) **United States Design Patent** (10) **Patent No.:** **US D970,805 S**
Belisle et al. (45) **Date of Patent:** **** Nov. 22, 2022**

(54) **COMPONENT FOR A VAPORIZER CARTRIDGE**

(71) Applicant: **JUUL Labs, Inc.**, San Francisco, CA (US)
(72) Inventors: **Christopher L. Belisle**, Somerset, WI (US); **Steven Christensen**, Burlingame, CA (US); **Alexander M. Hoopai**, San Francisco, CA (US); **Jason King**, San Francisco, CA (US); **Esteban Leon Duque**, San Francisco, CA (US); **Eric Joseph Johnson**, San Francisco, CA (US); **Andrew J. Stratton**, Royston (GB); **James P. Westley**, Cambridge (GB)

(73) Assignee: **JUUL Labs, Inc.**, San Francisco, CA (US)

(**) Term: **15 Years**

(21) Appl. No.: **29/825,823**

(22) Filed: **Feb. 4, 2022**

Related U.S. Application Data

(63) Continuation of application No. 29/713,289, filed on Nov. 14, 2019, now Pat. No. Des. 943,159.

(51) **LOC (13) Cl.** **27-02**

(52) **U.S. Cl.**
USPC **D27/162**

(58) **Field of Classification Search**
USPC D27/162, 100, 101, 163–170, 172, D27/174–176, 185–194; D13/103, 107; D23/360, 363, 366; D24/110, 100.5; D8/356, 396; D6/552, 512
CPC A24F 1/30; A24F 1/02; A24F 1/00; A24F 47/008; A24F 47/002
See application file for complete search history.

(56) **References Cited**

U.S. PATENT DOCUMENTS

595,070 A † 12/1897 Oldenbusch B65D 43/168
220/829
D143,295 S † 12/1945 Fisher D27/159
2,897,958 A † 8/1959 Tarleton A24F 15/12
229/128
2,956,569 A † 10/1960 Adams A24F 13/02
131/229
3,723,048 A † 3/1973 Russell F23Q 2/06
431/151
3,918,451 A † 11/1975 Steil A61M 15/004
128/203.21

(Continued)

OTHER PUBLICATIONS

Modello iWand, httqfLily.LyagL.IDA2,lt.:22,,ajar.c.Z.21, 2aLf25.:Q., published Dec. 28, 2012, (4 pages).†

(Continued)

Primary Examiner — Rebecca Tsehaye

(74) *Attorney, Agent, or Firm* — Mintz, Levin, Cohn, Ferris, Glovsky and Popeo, P.C.

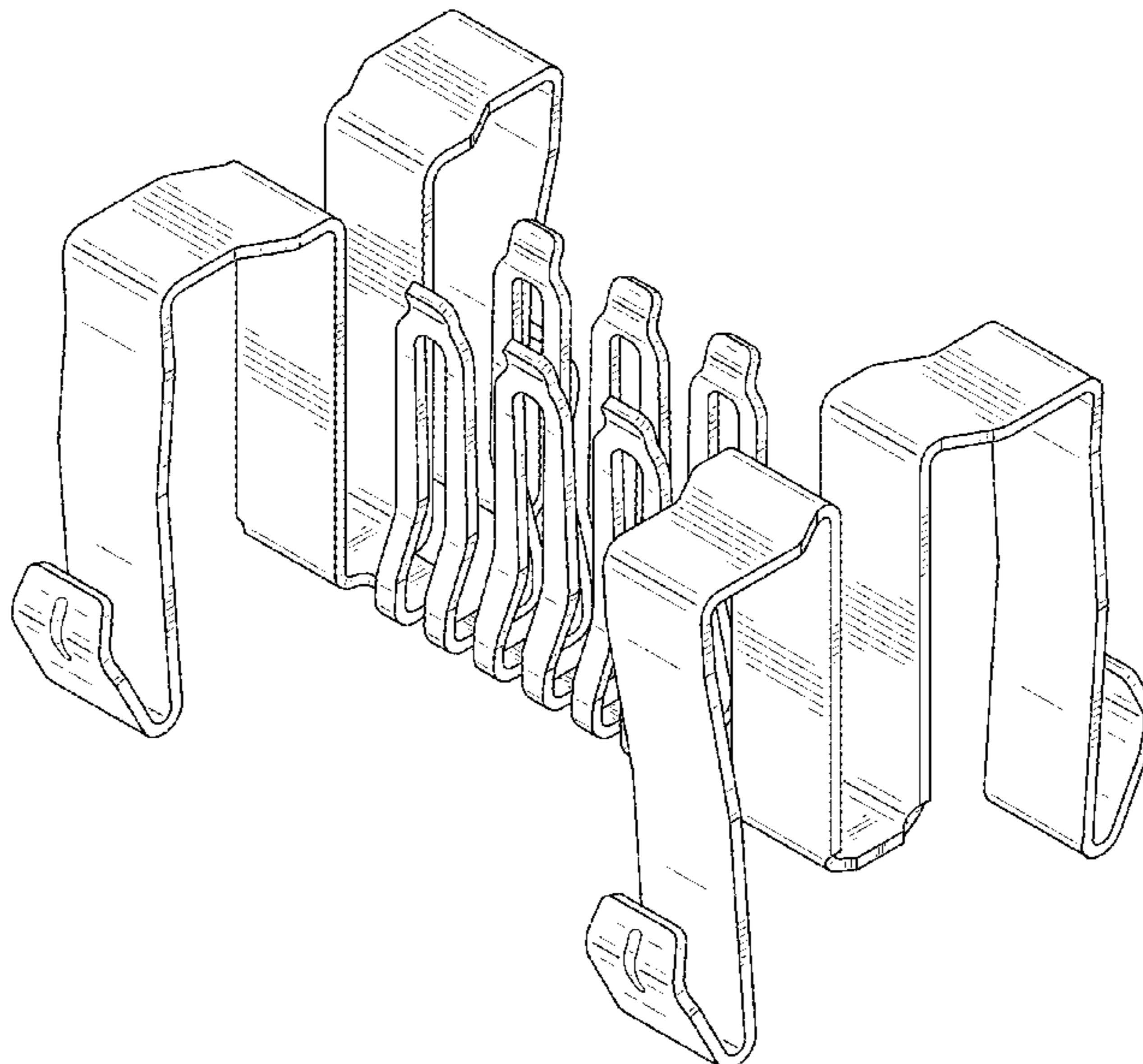
(57) **CLAIM**

The ornamental design for a component for a vaporizer cartridge, as shown and described.

DESCRIPTION

FIG. 1 is a top, front, and right side perspective view of a component for a vaporizer cartridge of our design;
FIG. 2 is a front view thereof;
FIG. 3 is a rear view thereof;
FIG. 4 is a left side view thereof;
FIG. 5 is a right side view thereof;
FIG. 6 is a top view thereof; and,
FIG. 7 is a bottom view thereof.

1 Claim, 7 Drawing Sheets



(56)

References Cited

U.S. PATENT DOCUMENTS

D260,690	S †	9/1981	Stutzer	D27/154	D631,055	S †	1/2011	Gilbert	D14/242
D267,590	S †	1/1983	Varma	D27/161	D631,458	S †	1/2011	Liao	D14/138 G
D271,255	S †	11/1983	Rousseau	D3/207	D634,735	S †	3/2011	Maier	D14/218
D280,494	S †	9/1985	Abel	D13/168	D639,303	S †	6/2011	Ni	D14/480.7
D299,066	S †	12/1988	Newell	D24/110	D639,782	S †	6/2011	Kim	D14/218
4,811,731	A †	3/1989	Newell	A61M 15/0045 128/203.15	D641,718	S †	7/2011	Sakai	D13/168
D310,349	S †	9/1990	Rowen	D13/168	D643,658	S *	8/2011	Vining	D6/552
D336,346	S †	6/1993	Miller	D25/126	D645,817	S †	9/2011	Sasada	D13/108
H1271	H †	1/1994	Shouse	131/86	D647,101	S †	10/2011	Huang	D14/480.7
5,479,948	A †	1/1996	Counts	A24F 40/46 131/194	D654,160	S †	2/2012	Yomtov	D23/360
D379,810	S †	6/1997	Giordano, Jr.	D14/248	D656,496	S †	3/2012	Andre	D14/496
5,746,587	A †	5/1998	Racine	A24F 15/18 206/87	D664,636	S †	7/2012	Robinson	D23/360
D397,504	S †	8/1998	Zelenik	D27/187	D669,530	S †	10/2012	Hung	D19/166
D405,007	S †	2/1999	Naas, Sr.	D9/414	D670,659	S †	11/2012	Ishikawa	D13/168
D422,884	S †	4/2000	Lafond	D8/354	D675,777	S †	2/2013	Wu	D27/101
D450,313	S †	11/2001	Koinuma	D14/218	D676,741	S †	2/2013	van Landsveld	D9/423
D450,662	S †	11/2001	Kwok	D13/168	8,371,709	B2 †	2/2013	Cheng	B60N 3/14 362/183
D472,090	S *	3/2003	Wing	D6/552	D681,445	S †	5/2013	van Landsveld	D9/423
D478,569	S †	8/2003	Hussaini	D14/218	D682,841	S †	5/2013	Suetake	D14/480.1
D478,897	S †	8/2003	Tsuge	D14/218	D686,987	S †	7/2013	Vanstone	D13/108
6,743,030	B2 †	6/2004	Lin	H01R 13/4534 439/131	D687,042	S †	7/2013	Yoneta	D14/480.5
D500,301	S †	12/2004	Deguchi	D14/480.4	D688,415	S †	8/2013	Kim	D27/101
D500,302	S †	12/2004	Deguchi	D14/480.4	8,522,776	B2 †	9/2013	Wright	A61M 15/0026 128/203.15
D505,922	S †	6/2005	Mayo	D13/168	D703,679	S †	4/2014	Chen	D14/480.1
D506,447	S †	6/2005	Mayo	D13/168	D703,680	S †	4/2014	Lin	D14/480.1
D506,731	S †	6/2005	Mayo	D13/168	8,695,794	B2 †	4/2014	Scatterday	A24F 15/01 206/242
D507,244	S †	7/2005	Mayo	D13/168	8,707,965	B2 †	4/2014	Newton	A24F 40/44 131/194
D514,741	S †	2/2006	Cohen Harel	D27/157	D704,629	S †	5/2014	Liu	D27/194
7,000,775	B2 †	2/2006	Gelardi	B65D 15/08 206/485	D707,688	S †	6/2014	Wu	D14/480.1
D523,171	S †	6/2006	Mitten	D27/189	D708,727	S †	7/2014	Postma	D23/360
D525,948	S †	8/2006	Blair	D13/168	D711,389	S †	8/2014	Sun	D14/480.5
D528,992	S †	9/2006	Hobart	D13/168	D711,891	S †	8/2014	Emami	D14/480.5
D529,044	S †	9/2006	Andre	D14/203.3	8,794,231	B2 †	8/2014	Thorens	A61M 15/06 219/535
D530,340	S †	10/2006	Andre	D14/203.3	D718,492	S †	11/2014	Albanese	D27/101
D531,190	S †	10/2006	Lee	D14/203.3	D718,723	S †	12/2014	Clymer	D13/168
D532,927	S †	11/2006	Sann	D27/101	D718,933	S †	12/2014	Brown, Jr.	D3/904
D534,921	S †	1/2007	Andre	D14/203.3	D719,375	S *	12/2014	Cox	D6/552
D535,261	S †	1/2007	Daniels	D13/168	D721,202	S †	1/2015	Liu	D27/101
D535,308	S †	1/2007	Andre	D14/203.3	8,955,522	B1 †	2/2015	Bowen	A24F 40/42 131/273
D539,813	S †	4/2007	Chen	D14/203.3	D723,735	S †	3/2015	Liu	D27/189
D540,749	S †	4/2007	Kaule	D13/168	D723,736	S †	3/2015	Liu	D27/189
7,214,075	B2 †	5/2007	He	H01R 13/5213 439/271	D723,737	S †	3/2015	Liu	D27/189
D545,303	S †	6/2007	Chang	D14/218	D724,037	S †	3/2015	Yoshioka	D13/168
D545,490	S †	6/2007	Tai	D27/135	D724,782	S †	3/2015	Wu	D27/101
D545,904	S †	7/2007	Chen	D19/66	D726,727	S †	4/2015	Holz	D14/407
D546,782	S †	7/2007	Poulet	D13/168	D729,277	S †	5/2015	Uchida	D14/496
7,275,941	B1 †	10/2007	Bushby	H01R 13/6397 439/133	D729,441	S †	5/2015	Hua	D27/101
D556,154	S †	11/2007	Poulet	D13/168	D737,508	S †	8/2015	Liu	D27/189
D558,060	S †	12/2007	Šir	D9/687	D738,038	S †	9/2015	Smith	D27/170
7,318,435	B2 †	1/2008	Pentafragas	A61M 15/0031 128/203.15	D739,973	S †	9/2015	Chao	D26/113
D566,709	S †	4/2008	Kim	D14/480.5	D741,541	S *	10/2015	Liu	D27/193
D568,298	S †	5/2008	Lundgren	D14/218	D742,063	S †	10/2015	Recio	D27/141
D571,556	S †	6/2008	Raile	D3/265	9,167,849	B2 †	10/2015	Adamic	A24F 13/06
D573,464	S †	7/2008	Kogure	D9/452	D745,004	S †	12/2015	Kim	G09G 5/14 D14/341
D576,619	S †	9/2008	Udagawa	D14/435.1	D745,388	S †	12/2015	Taylor	D9/418
D577,019	S †	9/2008	Udagawa	D14/435.1	D748,325	S †	1/2016	Leidel	D27/163
D585,077	S †	1/2009	Sheba	D14/496	D749,261	S †	2/2016	Chen	D27/162
D589,941	S †	4/2009	Maier	D14/218	D749,510	S †	2/2016	Liu	D27/194
D591,758	S †	5/2009	Lee	D14/480.7	D750,320	S †	2/2016	Verleur	H05B 3/06 D27/101
7,644,823	B2 †	1/2010	Gelardi	B65D 25/10 206/485	D751,756	S †	3/2016	Hearn	D27/189
D609,516	S *	2/2010	Vining	D6/552	D752,278	S †	3/2016	Verleur	D27/101
D610,588	S †	2/2010	Chen	D14/480.7	D752,280	S †	3/2016	Verleur	D27/167
D616,753	S †	6/2010	Beam	D9/449	D752,282	S †	3/2016	Doster	D27/189
D624,880	S †	10/2010	Felegy, Jr.	D13/168	D752,284	S †	3/2016	Doster	D27/189
D627,962	S †	11/2010	Mudrick	D3/208	D753,090	S †	4/2016	Langhammer	D14/203.3
					D755,733	S †	5/2016	Ikegaya	D13/168
					D755,735	S †	5/2016	Kashimoto	D13/168
					D756,032	S †	5/2016	Chen	D27/189
					D757,690	S †	5/2016	Lee	D14/218
					D758,650	S †	6/2016	Wu	D27/101

(56)

References Cited

U.S. PATENT DOCUMENTS

D759,031 S †	6/2016	Ozolins	D14/480.5	D878,672 S †	3/2020	Beer	D27/162
D760,431 S †	6/2016	Liu	D27/189	D881,459 S †	4/2020	Ouyang	D27/162
D762,001 S †	7/2016	Liu	D27/101	D885,332 S †	5/2020	Han	D13/108
D763,203 S †	8/2016	Ikegaya	D13/168	D889,740 S †	7/2020	Beer	D27/194
D763,204 S †	8/2016	Ikegaya	D13/168	D894,479 S †	8/2020	Cheung	D27/162
D764,703 S †	8/2016	Liu	D27/101	D895,197 S †	9/2020	Cheung	D27/101
D766,873 S †	9/2016	Washio	D14/214	D898,278 S †	10/2020	Carlberg	D27/162
D768,920 S †	10/2016	Jones	D27/189	D903,192 S †	11/2020	Chang	D27/162
D769,520 S †	10/2016	Hua	D27/167	D904,301 S †	12/2020	Smalley	D13/110
D769,830 S †	10/2016	Clymer	D13/168	D943,765 S *	2/2022	Griffin	D24/231
D770,395 S †	11/2016	Clymer	D13/168	11,246,679 B2 *	2/2022	Griffin	A61C 3/04
D772,478 S †	11/2016	Liu	D27/167	D948,890 S *	4/2022	Wasvick	D6/552
D773,114 S †	11/2016	Leidel	D27/163	D951,067 S *	5/2022	Cressy	D8/356
D773,391 S †	12/2016	Haarburger	D13/107	2001/0032643 A1 †	10/2001	Hochrainer	A61K 9/0078 128/200.21
D773,727 S †	12/2016	Eksouzian	D27/101	2002/0043262 A1 †	4/2002	Langford	B65D 83/38 222/23
D774,247 S †	12/2016	Chen	D27/101	2004/0200488 A1 †	10/2004	Felter	A24F 40/485 131/194
D774,514 S †	12/2016	Turksu	D14/480.5	2005/0016533 A1 †	1/2005	Schuler	A61M 16/0493 128/203.15
D774,693 S †	12/2016	Liu	D27/162	2005/0029137 A1 †	2/2005	Wang	H05K 5/0278 206/521
D775,413 S †	12/2016	Liu	D27/101	2005/0118545 A1 †	6/2005	Wong	F23Q 2/40 431/146
D776,051 S †	1/2017	Wang	D13/103	2005/0252511 A1 †	11/2005	Pentafragas	A61M 15/0021 128/203.15
D776,338 S †	1/2017	Lomeli	D27/163	2005/0268911 A1 †	12/2005	Cross	A61M 15/0081 128/203.26
9,549,573 B2 †	1/2017	Monsees	H05B 3/04	2006/0196518 A1 †	9/2006	Hon	A24F 40/40 131/347
D778,492 S †	2/2017	Liu	D27/101	2007/0089757 A1 †	4/2007	Bryman	A24F 3/00 131/330
D779,677 S †	2/2017	Chen	D24/215	2007/0229025 A1 †	10/2007	Tsai	H01R 31/065 320/111
D779,719 S †	2/2017	Qiu	D27/101	2008/0023003 A1 †	1/2008	Rosenthal	A61M 15/06 128/203.26
D780,179 S †	2/2017	Bae	D14/138	2009/0151717 A1 †	6/2009	Bowen	A61M 11/048 128/200.23
9,575,278 B2 *	2/2017	Leclerc	G02B 6/4471	2009/0260641 A1 †	10/2009	Monsees	A24F 40/48 131/194
9,596,887 B2 †	3/2017	Newton	A24F 40/485	2009/0260642 A1 †	10/2009	Monsees	A24F 7/00 131/194
9,603,390 B2 †	3/2017	Li	A24F 40/44	2009/0272379 A1 †	11/2009	Thorens	A24D 3/18 219/535
D784,609 S †	4/2017	Liu	D27/101	2010/0307116 A1 †	12/2010	Fisher	B65D 77/20 206/505
D790,127 S *	6/2017	Verleur	D6/552	2010/0313901 A1 †	12/2010	Fernando	H02J 7/0044 131/330
D792,021 S †	7/2017	Beer	D27/101	2011/0125146 A1 †	5/2011	Greeley	A61B 18/18 606/33
D793,004 S †	7/2017	Liu	D27/189	2011/0265806 A1 †	11/2011	Alarcon	A24F 40/50 131/273
D793,620 S †	8/2017	Bennett	D27/194	2012/0018529 A1 †	1/2012	Gammon	A61L 9/03 239/34
9,723,877 B2 †	8/2017	Wong	A24F 40/90	2012/0325227 A1 †	12/2012	Robinson	A61M 16/108 131/328
D799,746 S †	10/2017	Leidel	D27/163	2013/0042865 A1 †	2/2013	Monsees	H05B 3/146 128/203.27
D802,206 S †	11/2017	Huang	D27/101	2013/0220847 A1 †	8/2013	Fisher	G06F 1/1628 206/216
D806,311 S †	12/2017	Smith	D27/162	2013/0228191 A1 †	9/2013	Newton	A24F 40/44 131/329
D811,003 S †	2/2018	Folyan	D27/101	2013/0312742 A1 †	11/2013	Monsees	A24F 1/32 128/202.21
D815,346 S †	4/2018	Bagai	D27/191	2014/0021190 A1 †	1/2014	Sardar	F23Q 7/16 219/268
9,956,357 B2 †	5/2018	Chen	A61M 11/04	2015/0034104 A1 †	2/2015	Zhou	A24F 40/485 131/329
D819,881 S †	6/2018	Qiu	D27/101	2015/0034507 A1 †	2/2015	Liu	B65D 85/10 206/256
D822,896 S †	7/2018	Durand	D27/101	2015/0053217 A1 †	2/2015	Steingraber	A24F 40/50 131/329
D825,102 S †	8/2018	Bowen	D27/167	2015/0102777 A1 †	4/2015	Cooper	H02J 7/342 320/137
10,045,568 B2 †	8/2018	Monsees	H05B 1/0244				
10,058,124 B2 †	8/2018	Monsees	A61M 11/042				
10,058,129 B2 †	8/2018	Monsees	A61M 11/042				
D829,371 S †	9/2018	Durand	D27/101				
D829,980 S †	10/2018	Qiu	D27/162				
D831,378 S *	10/2018	Crowe	D6/552				
D832,499 S †	10/2018	Qiu	D27/162				
D832,500 S †	10/2018	Qiu	D27/162				
D834,702 S †	11/2018	Evans	D27/101				
D836,190 S †	12/2018	Evans	D24/110				
D836,831 S †	12/2018	Cividi	D27/162				
D836,834 S †	12/2018	Cividi	D27/194				
D837,446 S †	1/2019	Durand	D27/101				
D842,237 S †	3/2019	Qiu	D27/101				
D842,536 S †	3/2019	Bowen	D27/167				
D843,644 S †	3/2019	Qiu	D27/101				
D844,235 S †	3/2019	Cividi	D27/167				
D845,964 S †	4/2019	Kim	D14/480.5				
D853,022 S †	7/2019	Srour	D27/183				
D855,251 S †	7/2019	Qiu	D27/162				
D858,868 S †	9/2019	Bowen	D27/162				
D858,869 S †	9/2019	Bowen	D27/162				
D858,870 S †	9/2019	Bowen	D27/162				
D859,735 S †	9/2019	Qiu	D27/162				
D860,519 S †	9/2019	Cividi	D27/162				
D860,520 S †	9/2019	Cividi	D27/162				
D861,975 S †	10/2019	Bowen	D27/162				
D865,276 S †	10/2019	Pino	D27/162				
D866,852 S †	11/2019	Cividi	D27/101				
D870,034 S †	12/2019	Lai	D13/103				
D877,971 S †	3/2020	Bowen	D27/101				

(56)

References Cited

U.S. PATENT DOCUMENTS

2015/0114410 A1 ‡ 4/2015 Doster A24F 40/40
131/329
2015/0122252 A1 ‡ 5/2015 Frija A24F 40/65
128/202.21
2015/0128967 A1 ‡ 5/2015 Robinson A24F 40/50
131/328
2015/0128971 A1 ‡ 5/2015 Verleur A61M 11/042
131/329
2015/0128972 A1 ‡ 5/2015 Verleur A61M 11/042
131/329
2015/0128976 A1 ‡ 5/2015 Verleur A24F 40/50
131/329
2015/0157056 A1 ‡ 6/2015 Bowen A61M 15/0035
131/328
2015/0189919 A1 ‡ 7/2015 Liu A24F 40/40
131/329
2015/0208729 A1 ‡ 7/2015 Monsees A24F 40/42
131/329
2015/0245654 A1 ‡ 9/2015 Memari H02J 50/10
141/2
2015/0282530 A1 ‡ 10/2015 Johnson A24F 40/485
392/394
2015/0305409 A1 ‡ 10/2015 Verleur A24F 40/40
131/329
2015/0313287 A1 ‡ 11/2015 Verleur F22B 1/284
131/329
2015/0327596 A1 ‡ 11/2015 Alarcon A61M 15/06
131/328
2015/0328415 A1 ‡ 11/2015 Minskoff A24F 40/60
128/202.21
2015/0374039 A1 ‡ 12/2015 Zhu H05B 3/03
131/329
2016/0007654 A1 ‡ 1/2016 Zhu A24F 40/42
131/328
2016/0095355 A1 ‡ 4/2016 Hearn A24F 40/485
131/273
2016/0095356 A1 ‡ 4/2016 Chan A24F 40/30
392/390
2016/0113323 A1 ‡ 4/2016 Liu A24F 15/01
206/268
2016/0121058 A1 ‡ 5/2016 Chen A24F 40/40
128/200.19
2016/0134143 A1 ‡ 5/2016 Liu A24F 40/95
206/223
2016/0143358 A1 ‡ 5/2016 Zhu A24F 40/46
392/404
2016/0150824 A1 ‡ 6/2016 Memari A24F 40/40
131/329
2016/0166564 A1 ‡ 6/2016 Myers A61M 15/06
392/386
2016/0167846 A1 ‡ 6/2016 Zahr B65D 43/165
206/268
2016/0174611 A1 ‡ 6/2016 Monsees A24F 40/50
392/386
2016/0192707 A1 ‡ 7/2016 Li H05B 3/00
392/404
2016/0227841 A1 ‡ 8/2016 Li H05B 3/42
2016/0270446 A1 ‡ 9/2016 Shenkal H05B 3/40
2016/0278436 A1 ‡ 9/2016 Verleur H02J 7/0045
2016/0295913 A1 ‡ 10/2016 Guo A24F 40/485
2016/0324211 A1 ‡ 11/2016 Yankelevich A24F 1/00
2016/0331912 A1 ‡ 11/2016 Trzemieski A61M 11/042
2016/0345626 A1 ‡ 12/2016 Wong A24F 40/40
2016/0353805 A1 ‡ 12/2016 Hawes A61M 15/06
2016/0360789 A1 ‡ 12/2016 Hawes A24F 40/40
2016/0366943 A1 ‡ 12/2016 Li A24F 40/42
2016/0366947 A1 ‡ 12/2016 Monsees H05B 3/04
2016/0374399 A1 ‡ 12/2016 Monsees A24F 40/60
131/329
2017/0000190 A1 ‡ 1/2017 Wu H05B 3/44
2017/0013875 A1 ‡ 1/2017 Schennum A24F 40/95
2017/0035115 A1 ‡ 2/2017 Monsees A61M 15/06

2017/0042246 A1 ‡ 2/2017 Lau H05B 1/0297
2017/0049153 A1 ‡ 2/2017 Guo H05B 3/18
2017/0065001 A1 ‡ 3/2017 Li F16K 15/14
2017/0071256 A1 ‡ 3/2017 Verleur A24F 40/485
2017/0095005 A1 ‡ 4/2017 Monsees A61M 11/042
2017/0119044 A1 ‡ 5/2017 Oligschlaeger B65D 25/10
2017/0119060 A1 ‡ 5/2017 Li A24F 40/44
2017/0150754 A1 ‡ 6/2017 Lin A24F 40/40
2017/0181471 A1 ‡ 6/2017 Phillips A24F 40/60
2017/0196264 A1 ‡ 7/2017 Liu A24F 40/60
2017/0197046 A1 ‡ 7/2017 Buchberger A61M 15/0086
2017/0202265 A1 ‡ 7/2017 Hawes A61M 11/041
2017/0208863 A1 ‡ 7/2017 Davis A24F 40/485
2017/0215478 A1 ‡ 8/2017 Harrison A24F 40/46
2017/0231280 A1 ‡ 8/2017 Anton A24F 40/65
392/404
2017/0231281 A1 ‡ 8/2017 Hatton G01L 9/12
131/328
2017/0231282 A1 ‡ 8/2017 Bowen A24B 15/167
131/329
2017/0233114 A1 ‡ 8/2017 Christensen B65B 3/14
141/2
2017/0258142 A1 ‡ 9/2017 Hatton A24F 40/51
2017/0259170 A1 ‡ 9/2017 Bowen A24F 40/60
2017/0302324 A1 ‡ 10/2017 Stanimirovic H02J 7/342
2017/0360092 A1 ‡ 12/2017 Althorpe F22B 1/284
2018/0070649 A1 ‡ 3/2018 Monsees A24B 15/167
2018/0103686 A1 ‡ 4/2018 Monsees H05B 1/0244
2018/0140005 A1 ‡ 5/2018 Lin H05B 3/44
2018/0140015 A1 ‡ 5/2018 Carroll A24F 40/53
2018/0177234 A1 ‡ 6/2018 Lee A61M 15/06

OTHER PUBLICATIONS

PAX Labs, Inc.; JUUL product information 2016; retrieved from <<https://www.juulvapor.com/shop-juul/>> 6 pgs.; retrieved Mar. 9, 2016. ‡
Making a box for my Straight Razor by Mr. Mars Experience, dated Jan. 22, 2014. found online [Mar. 19, 2019] <https://www.youtube.com/watch?v=Z7iAx2QoKDO>. ‡
Shapiro, “Following the Vapor Trail,” <https://www.nytimes.com/2013/12/19/fashion/for-vaporizers-new-technology-and-product-design.html>, Dec. 18, 2013 (3 pages). ‡
Pierce, D. This Might Just Be the First Great E-Cig. {online} Wired, Published on Apr. 21, 2015. Available at: <https://www.wired.com/2015/04/pax-juul-ecig/?mbid=socialtwitter>. ‡
Pentel Multi Color Led Refill by Pentel on Amazon, earliest review dated Nov. 7, 2014. found online [Mar. 22, 2019] https://www.amazon.com/Pentel-Multi-Refill-Violet-CH2-V/product-reviews/BOOKQTBPWCW/ref=cnn_cr_dp_d_show_all_btn?ie=UTF8&reviewerType=all_reviews. ‡
IWand Rectangular Pen Shape Design Flat Short Mouth Holder 1.OML Tank Atomizer LED Display 800mAh Rechargeable E-Cigarette Set—COLORFUL, tDIIUYTY,f,1,111111LcZn11Ltf2ILgliLrt111112,111, accessed Jan. 25, 2019. (3 pages). ‡
German Straight Razor box by rainbobeBayauctions on ebay. dated May 11, 2012. found online [Mar. 22, 2019] <https://www.bing.com/videos/search?q=straight+razor+cardboard+box&&view=detail&nid=4EFBC9664DDFEA73A2974EFBC9664DDFEA73A297&&FORM=VRDGAR>. ‡
Electronic Vaporization Device/ Gizmodo Pax 2 Vaporizer/ Gizmodo; retrieved from <http://gizmodo.com/pax-2-vaporizer-reviews-its-like-smoking-in-the-future-1718310779>; posted Jul. 23, 2015, retrieved Oct. 17, 2016. ‡
Cedar Board by the home depot, earliest review dated Sept 7, 2016. found online [Mar. 19, 2019] <https://www.homedepot.com/p/1-in-x-4-in-x-8-ft-S1-S2E-Cedar-Board-6-Pack-WRC148T6PK/300194383>. ‡
Breland, Alison, et al. “Electronic cigarettes: what are they and what do they do?.” *Annals of the New York Academy of Sciences* 1394.1 (2017): 5-30. ‡

(56)

References Cited

OTHER PUBLICATIONS

Electronic Vaporization Device with Cartridge 1JUUL Pod 1JUUL Vapor, Posted Jun. 3, 2015, Juulvapor.com <<http://Juulvapor.com>>, retrieved Nov. 24, 2015, <<https://www.iuulvapor.com/shopiuul/>>.‡
Cloud pen vaporizer unboxing review by vaporizer blog // VaporizerBlog.com, <https://www.youtube.com/watch?v=ixHMkXoWKNg>, published on Dec. 12, 2013 (4 pages).‡
FC Vaporizer Review Forum; Pax Vaporizer by Ploom; retrieved from : <http://fuckcombtion.com/threads/pax-vaporizer-by-ploom.6223/>; pp. 2 & 11 (2 pgs.); retrievaldate: Nov. 16, 2015.‡

* cited by examiner

‡ imported from a related application

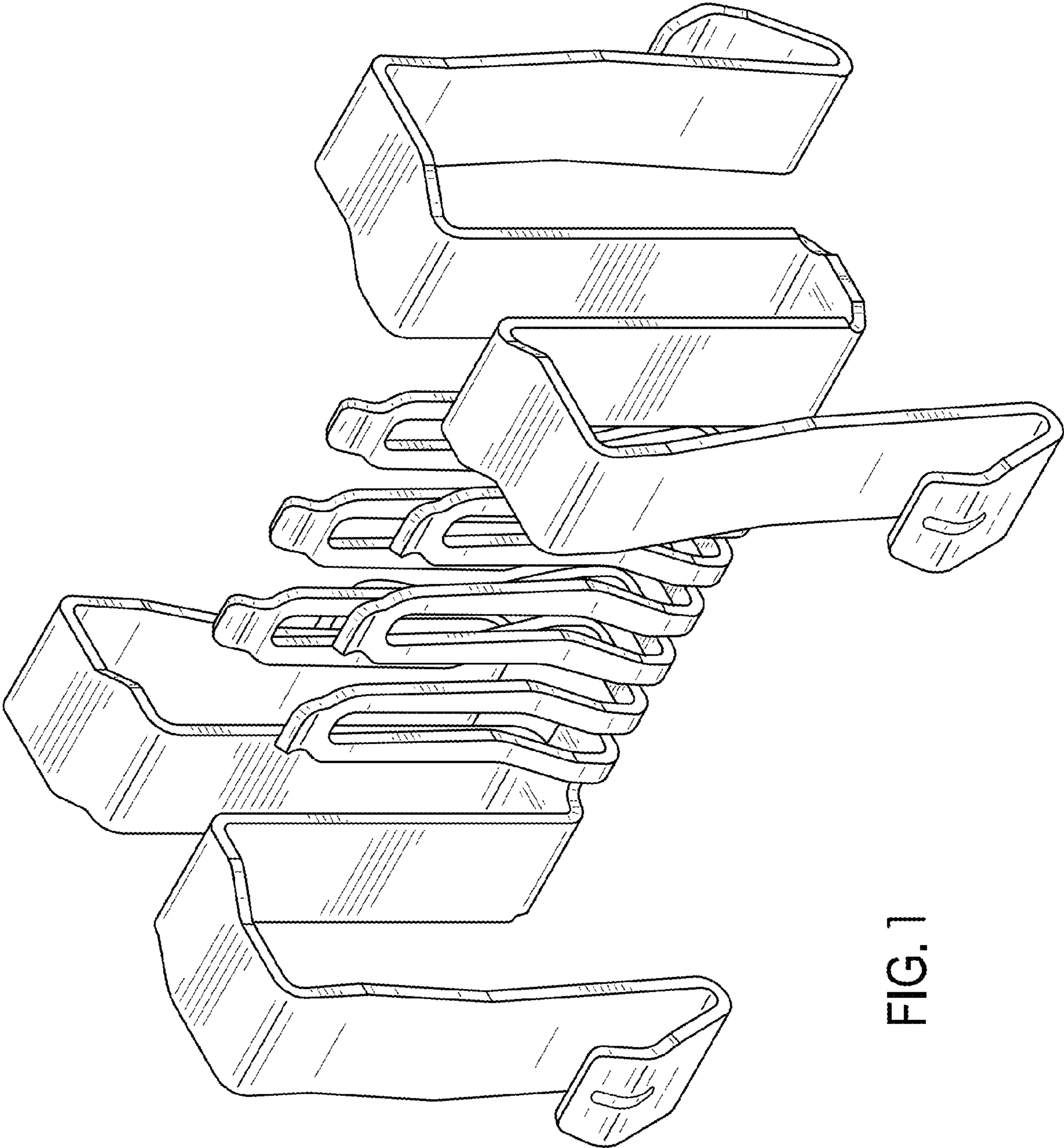


FIG. 1

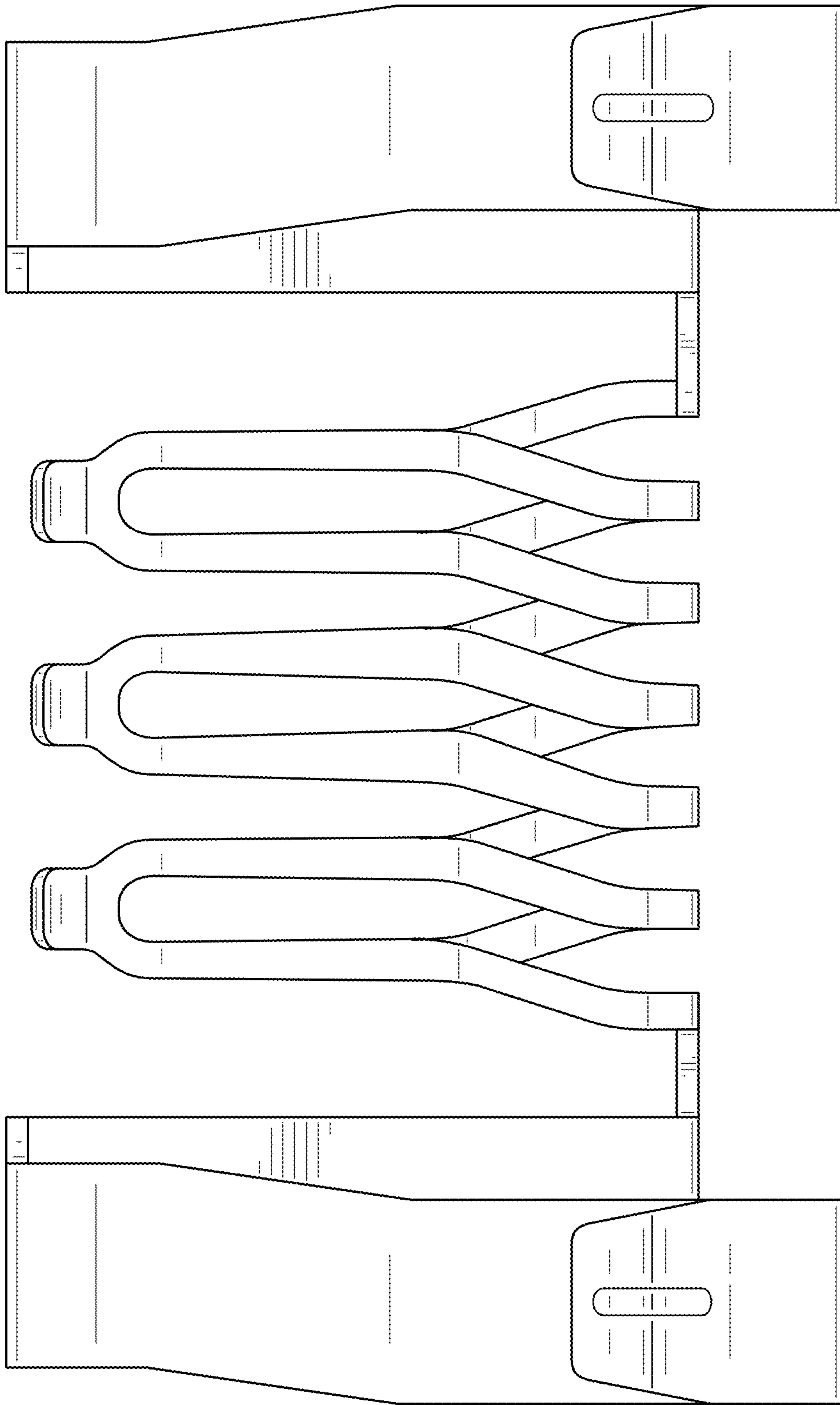


FIG. 2

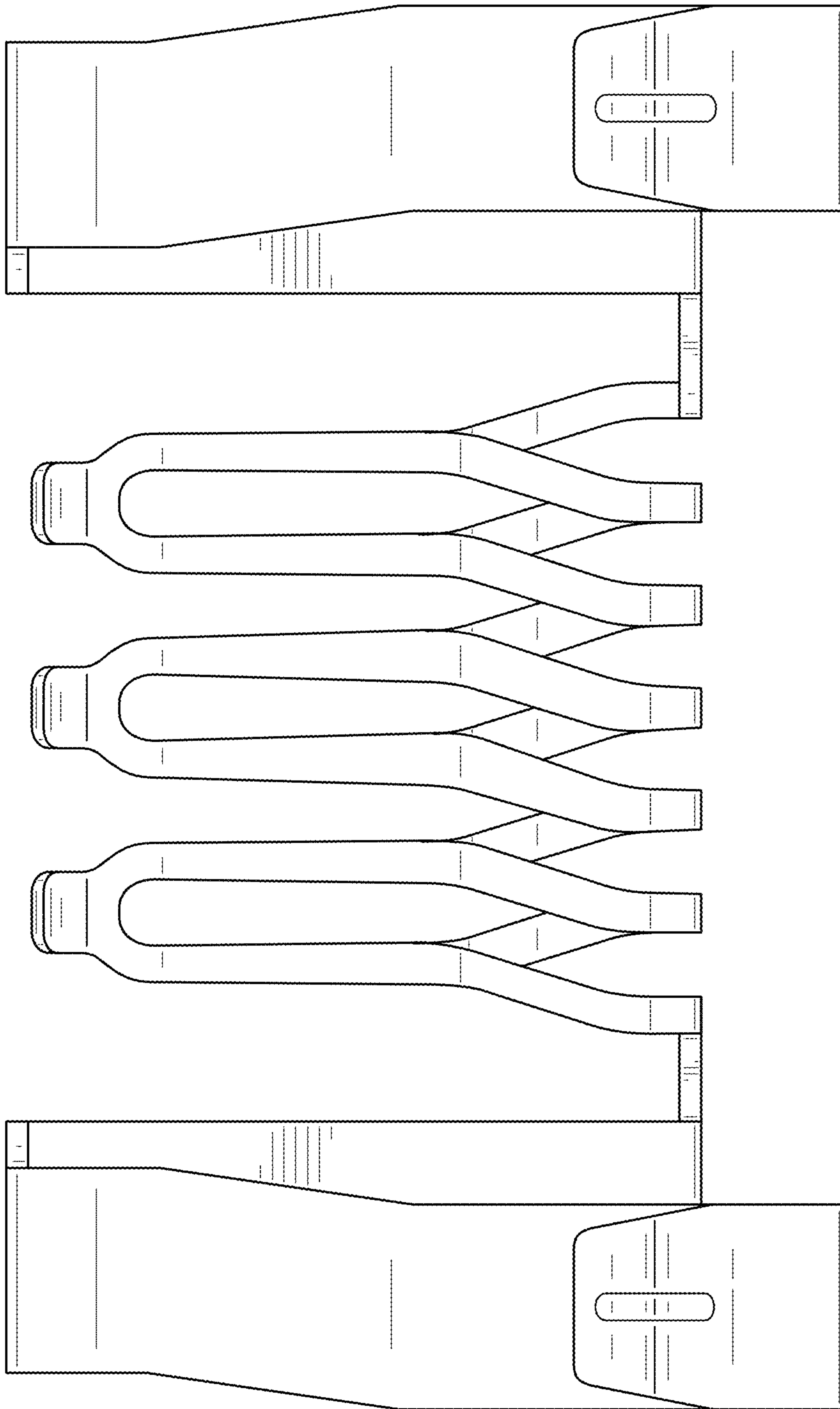


FIG. 3

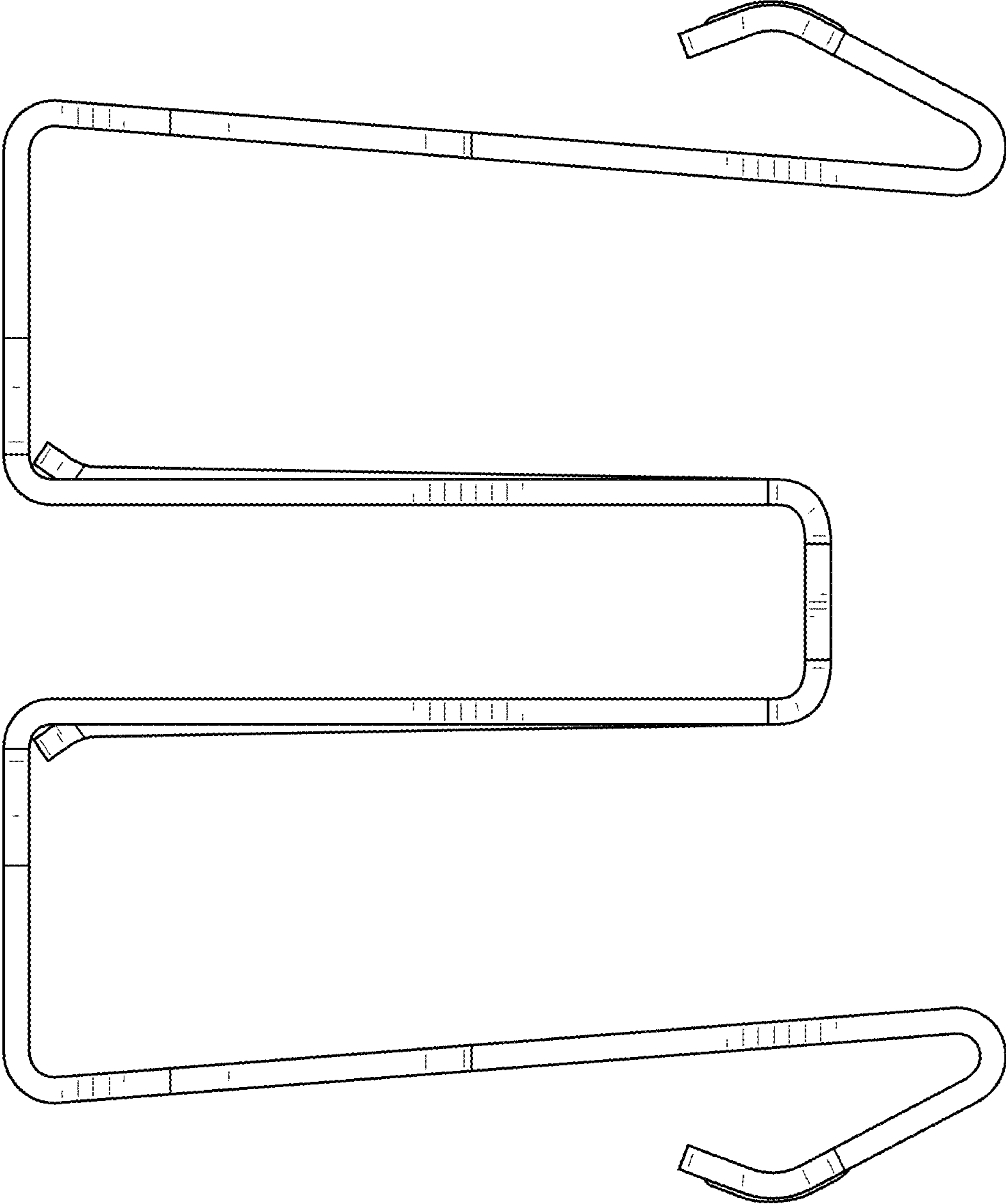


FIG. 4

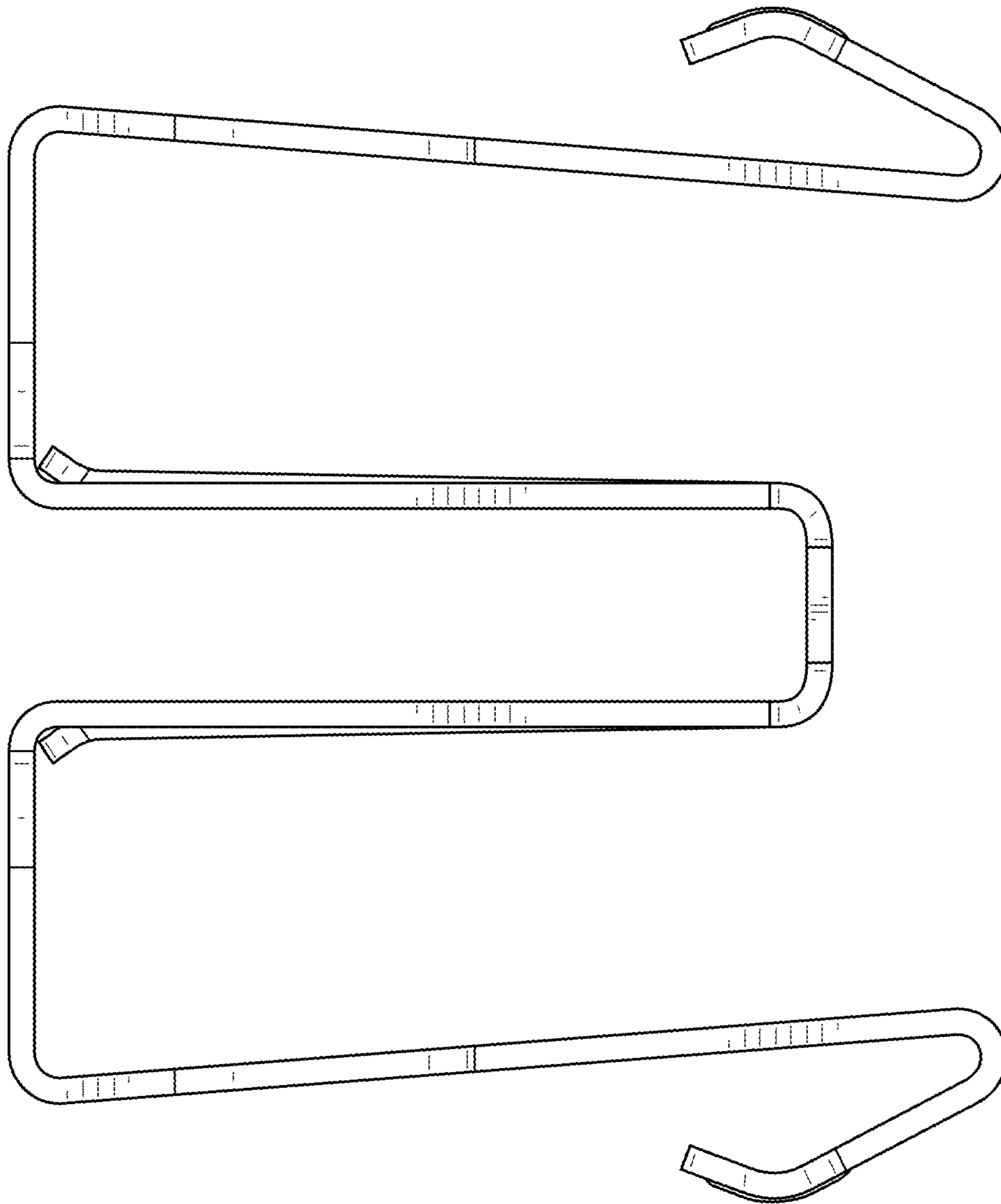


FIG. 5

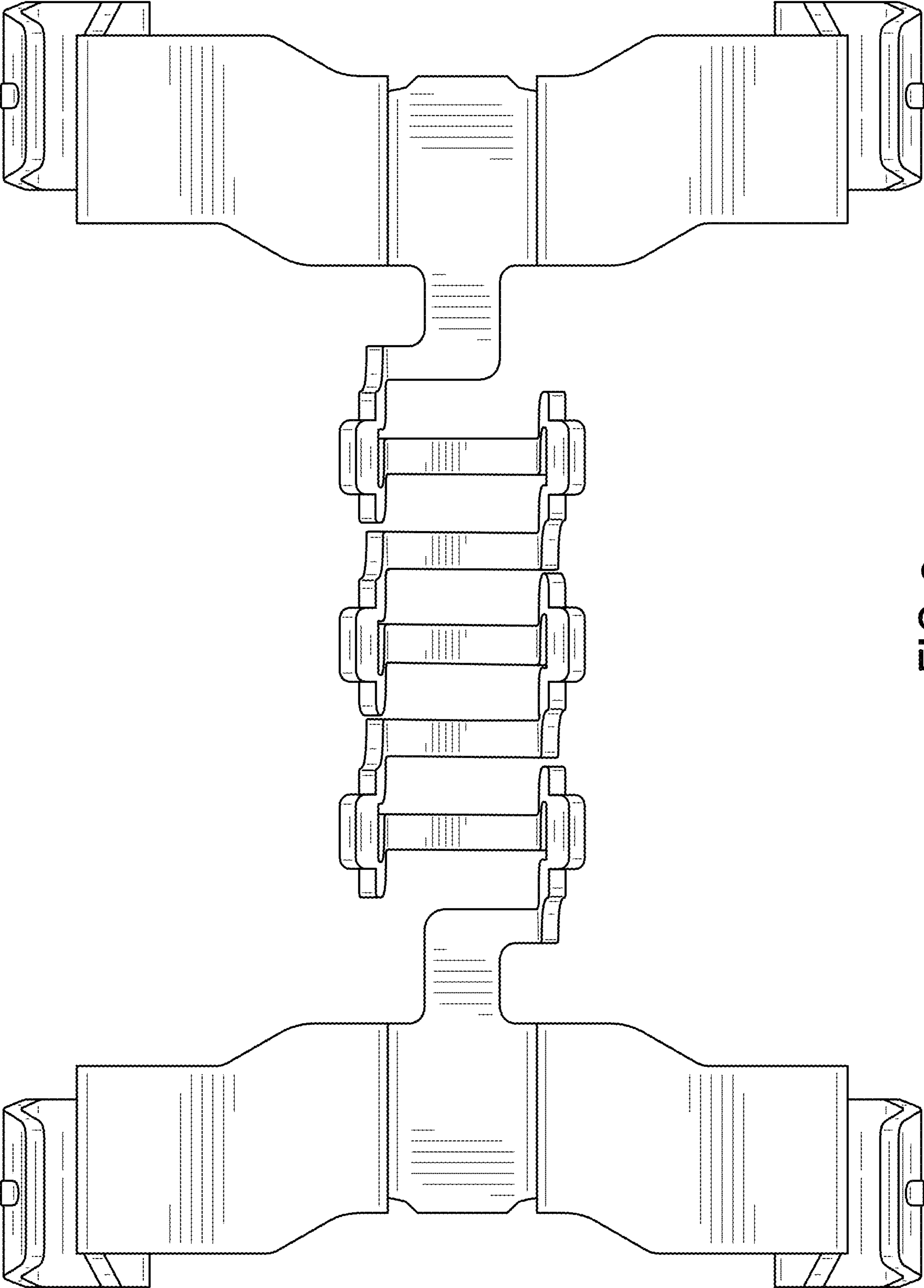


FIG. 6

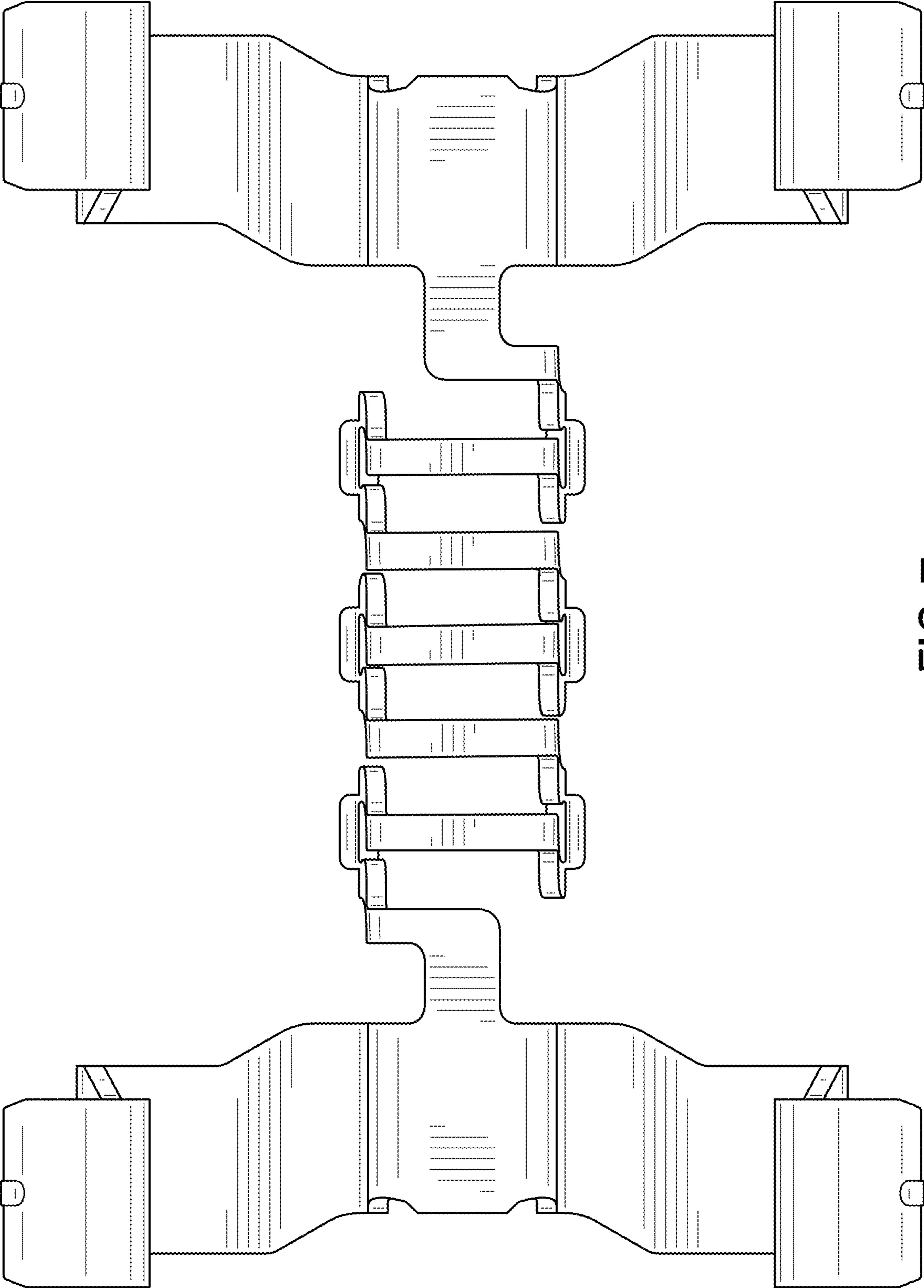


FIG. 7