



US00D970804S

(12) **United States Design Patent** (10) **Patent No.:** **US D970,804 S**
Rule et al. (45) **Date of Patent:** **** Nov. 22, 2022**

(54) **HOOKAH**
(71) Applicant: **STUNDENGLASS TECHNOLOGIES, LLC**, Los Angeles, CA (US)
(72) Inventors: **Christiaan B. Rule**, New York, NY (US); **David Vuong**, New York, NY (US); **Christopher Folkerts**, Santa Monica, CA (US); **Gabriel Alvarez**, Guaynabo, PR (US); **Tracey Huston**, Georgetown, TX (US); **Michael Trzeczieski**, Toronto (CA)

8,534,296 B2 * 9/2013 Groff A24F 1/30 131/201
D720,499 S * 12/2014 Alima D27/167
D743,098 S * 11/2015 Hehir D27/163
D792,797 S * 7/2017 Kirchick D27/161
10,342,255 B2 * 7/2019 Huston A24F 1/30
D872,244 S * 1/2020 Peng D23/360
D887,761 S * 6/2020 Xu D7/300.1
D918,465 S * 5/2021 Van Den Bergh D27/162
D943,817 S * 2/2022 Rule D27/162
D943,820 S * 2/2022 Ou D27/163
D945,060 S * 3/2022 Ou D27/162
2013/0319438 A1 * 12/2013 Liu A24F 40/485 131/329
2016/0360782 A1 * 12/2016 Barrantes B65D 51/24
2021/0289843 A1 * 9/2021 Trzeczieski A24F 1/14

(73) Assignee: **GS Holistic, LLC**, Los Angeles, CA (US)

* cited by examiner

(**) Term: **15 Years**

Primary Examiner — Rebecca Tshaye
(74) *Attorney, Agent, or Firm* — Kevin Schraven; Anooj Patel; Hankin Patent Law, APC

(21) Appl. No.: **29/812,627**

(22) Filed: **Oct. 22, 2021**

Related U.S. Application Data

(57) **CLAIM**

(62) Division of application No. 29/749,087, filed on Sep. 2, 2020, now Pat. No. Des. 943,817.

The ornamental design for a hookah, as shown and described.

(51) **LOC (13) Cl.** **27-02**

(52) **U.S. Cl.**
USPC **D27/162**

DESCRIPTION

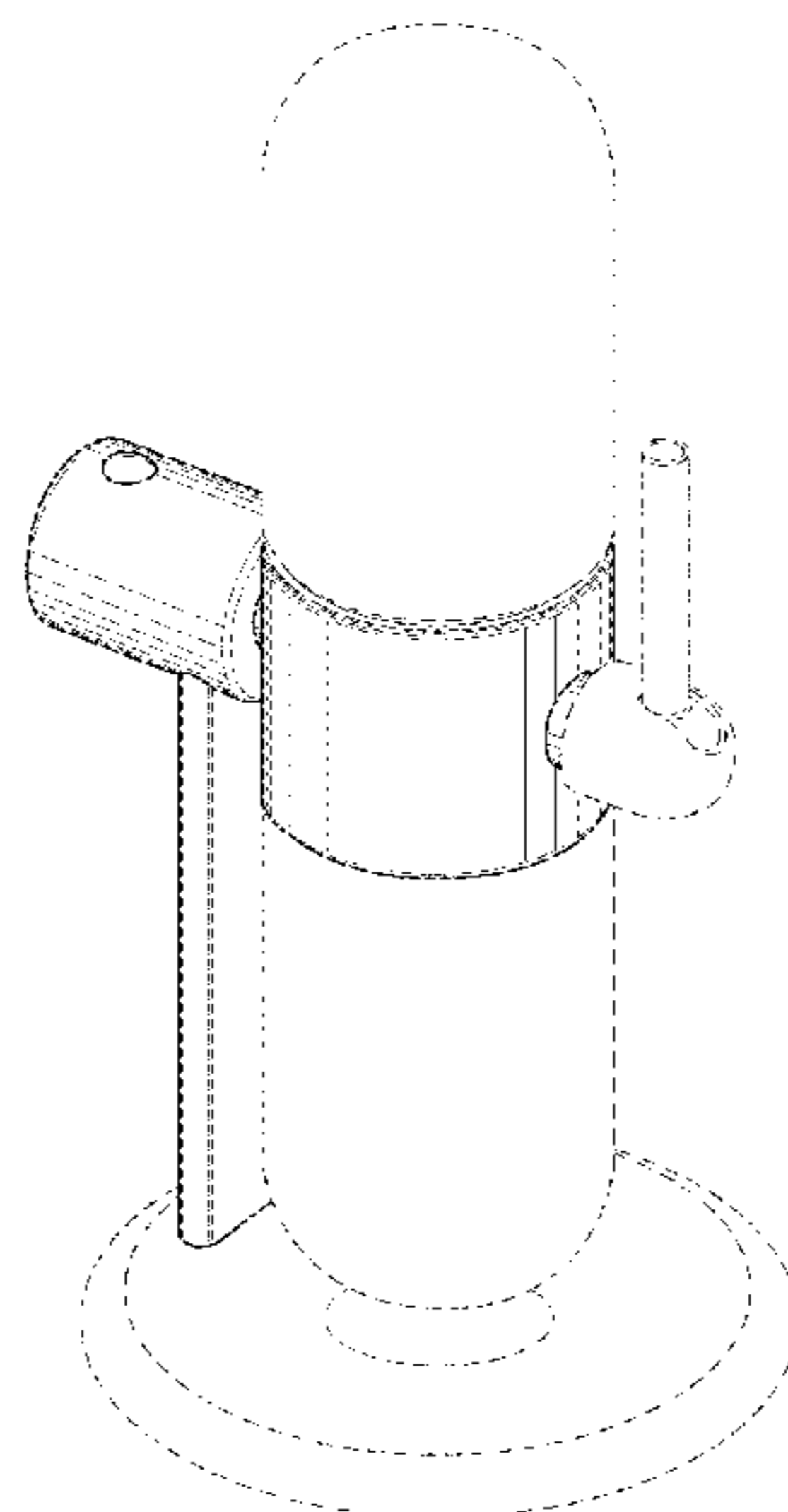
(58) **Field of Classification Search**
USPC D27/162, 100, 103, 163–165, 167, 169, D27/180, 183, 194; D23/360, 366; D7/300, 314
CPC A24F 1/30; A24F 1/02; A24F 1/00; A24F 47/008; A24F 47/002; A61M 11/00
See application file for complete search history.

FIG. 1 is top perspective view of a hookah, showing our new design.
FIG. 2 is a bottom perspective view thereof.
FIG. 3 is a left side elevational view thereof.
FIG. 4 is a right side elevational view thereof.
FIG. 5 is a front elevational view thereof.
FIG. 6 is a rear elevational view thereof.
FIG. 7 is a top plan view thereof; and,
FIG. 8 is a bottom plan view thereof.
The broken lines in the drawings depict portions of the hookah that form no part of the claimed design.

(56) **References Cited**
U.S. PATENT DOCUMENTS

1 Claim, 8 Drawing Sheets

6,196,382 B1 * 3/2001 Lenderman F23Q 2/34 206/37
D614,755 S * 4/2010 Brewster D23/366



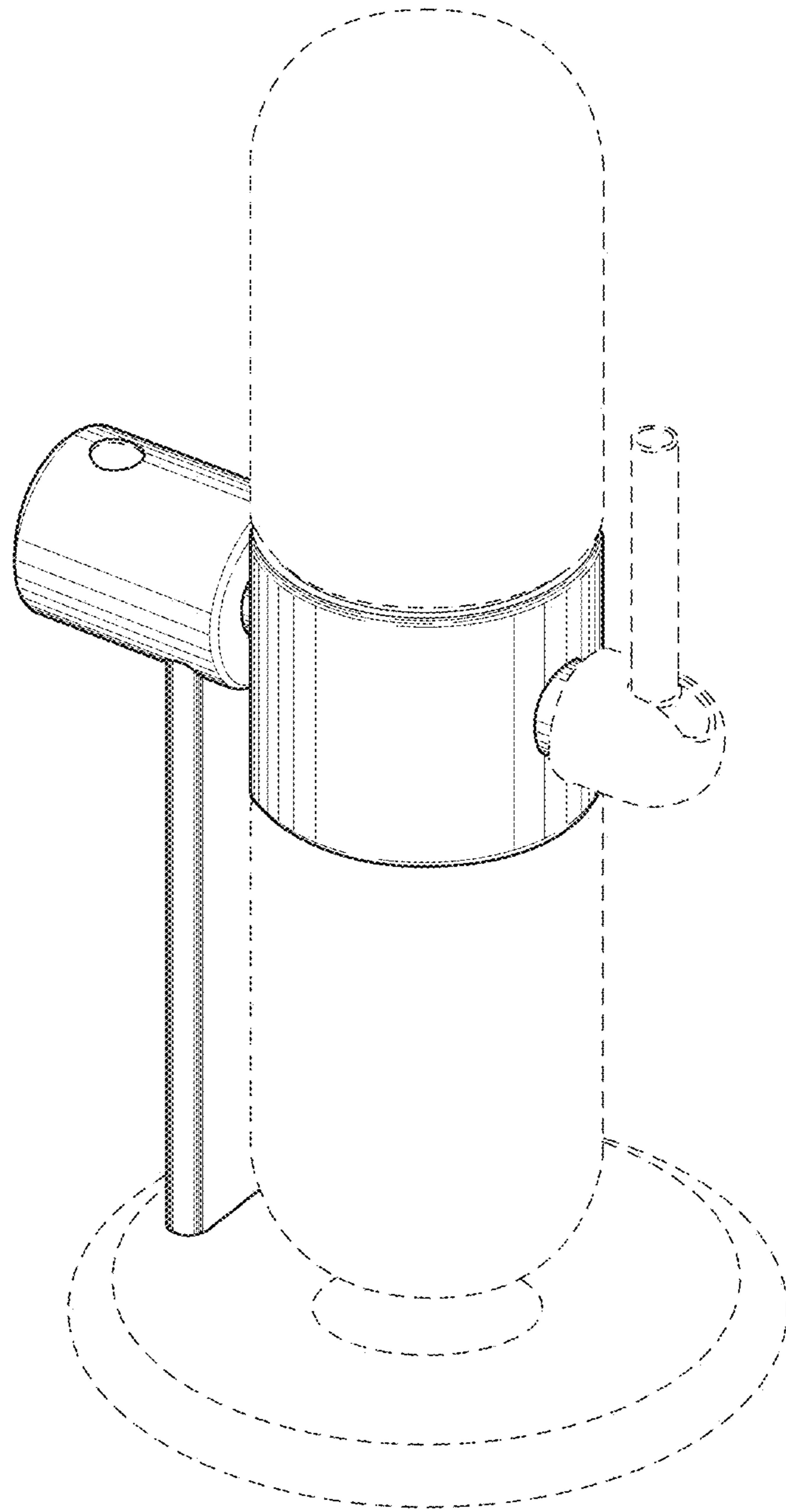


Fig. 1

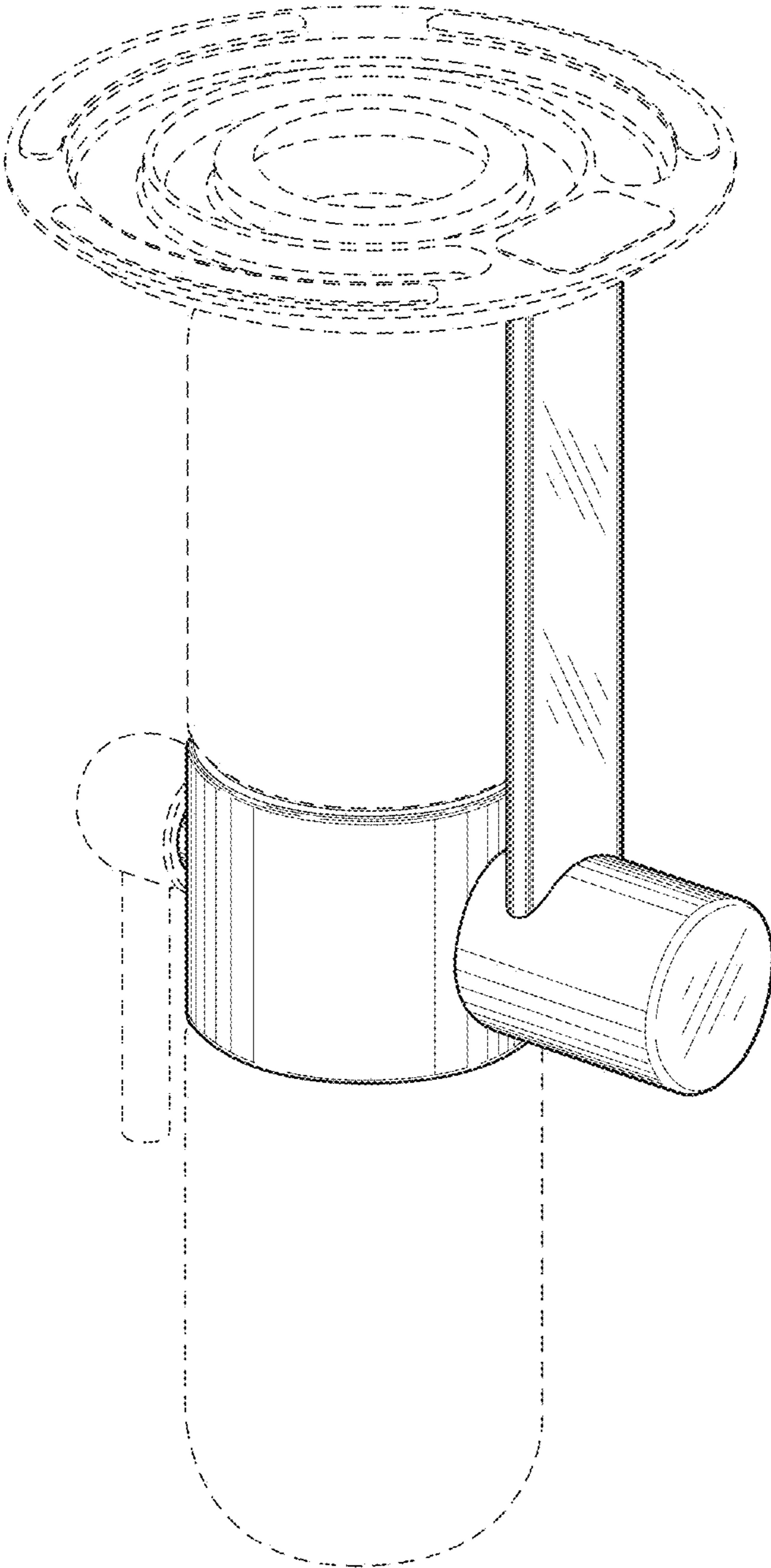


Fig. 2

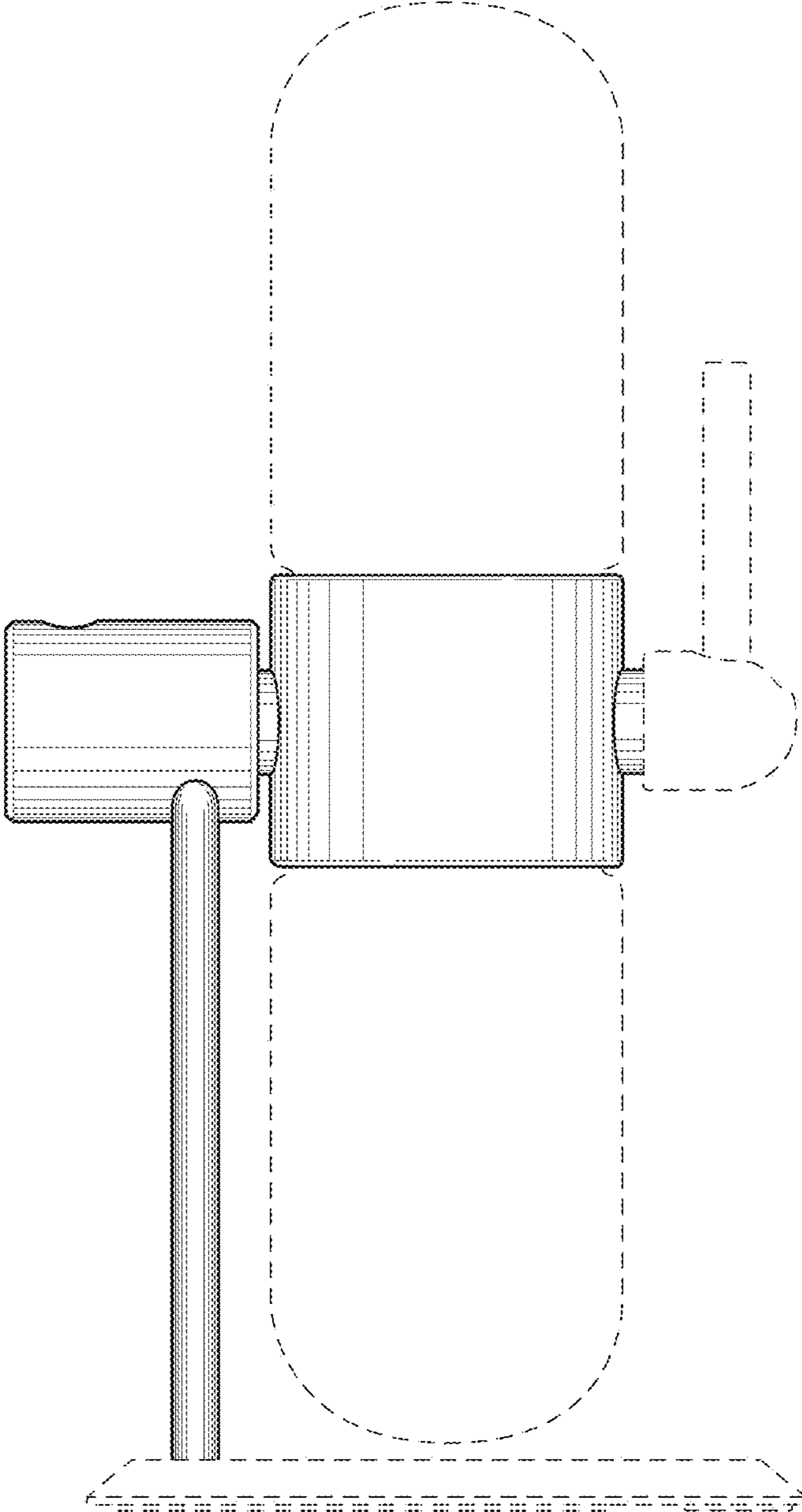


Fig. 3

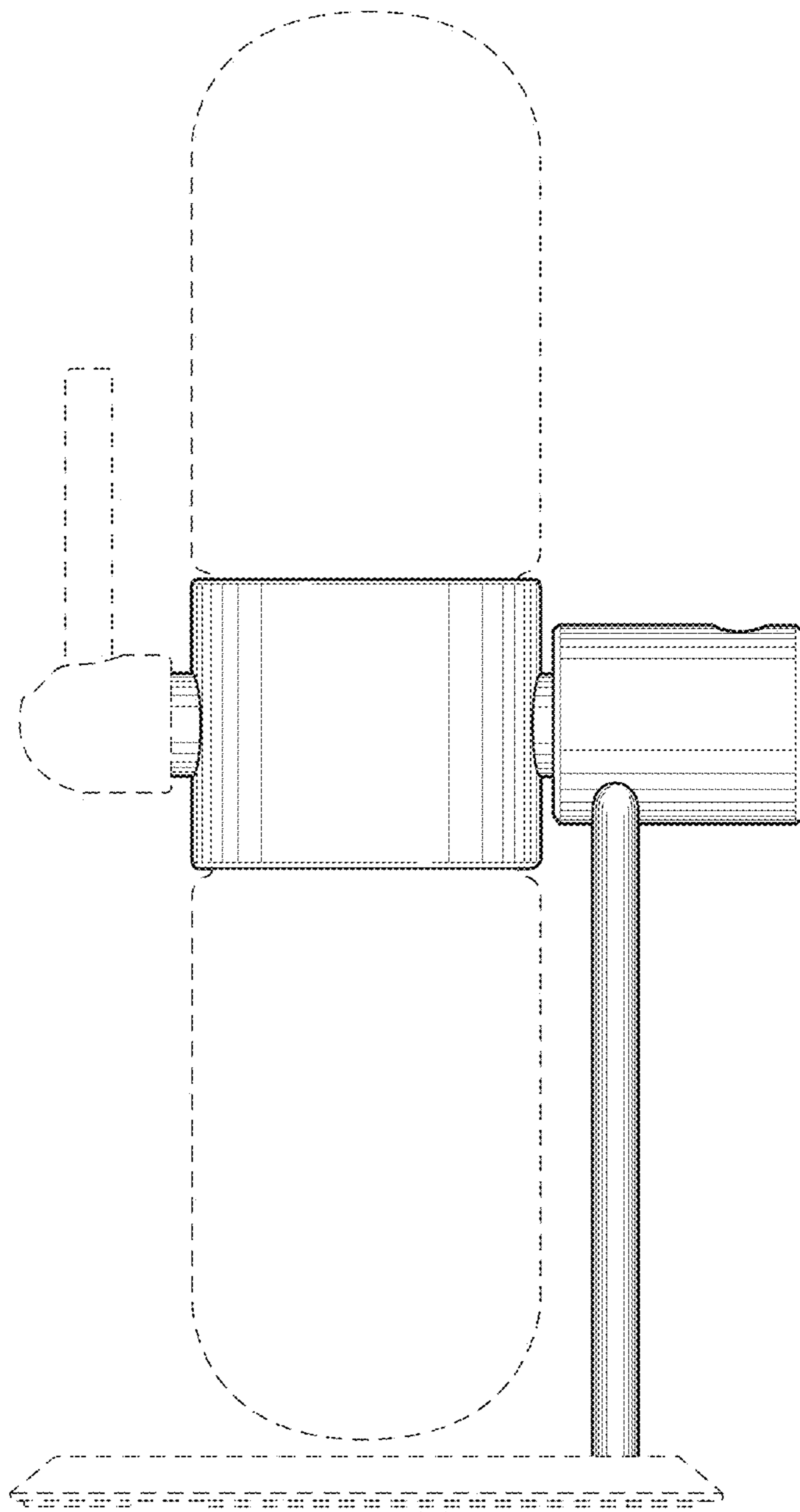


Fig. 4

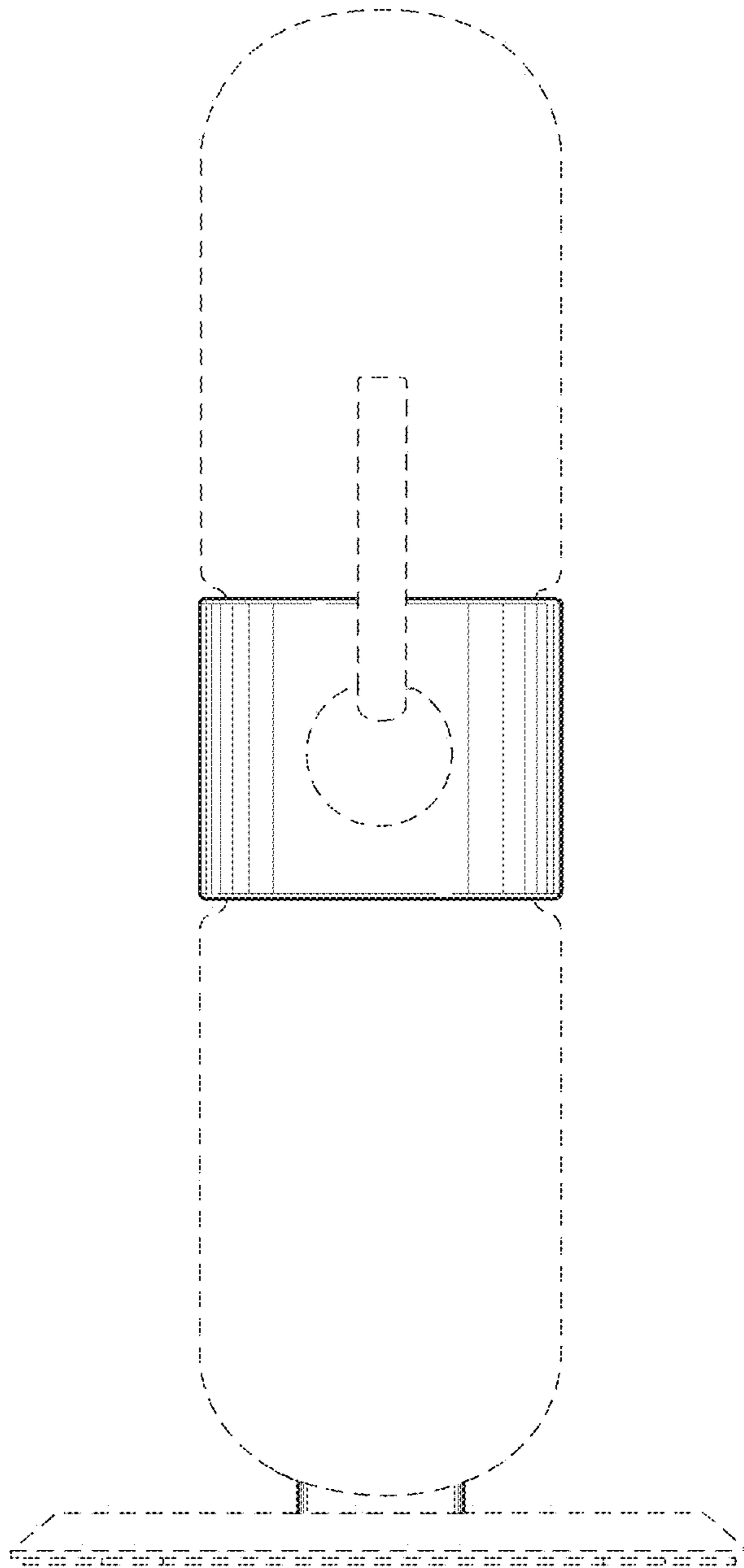


Fig. 5

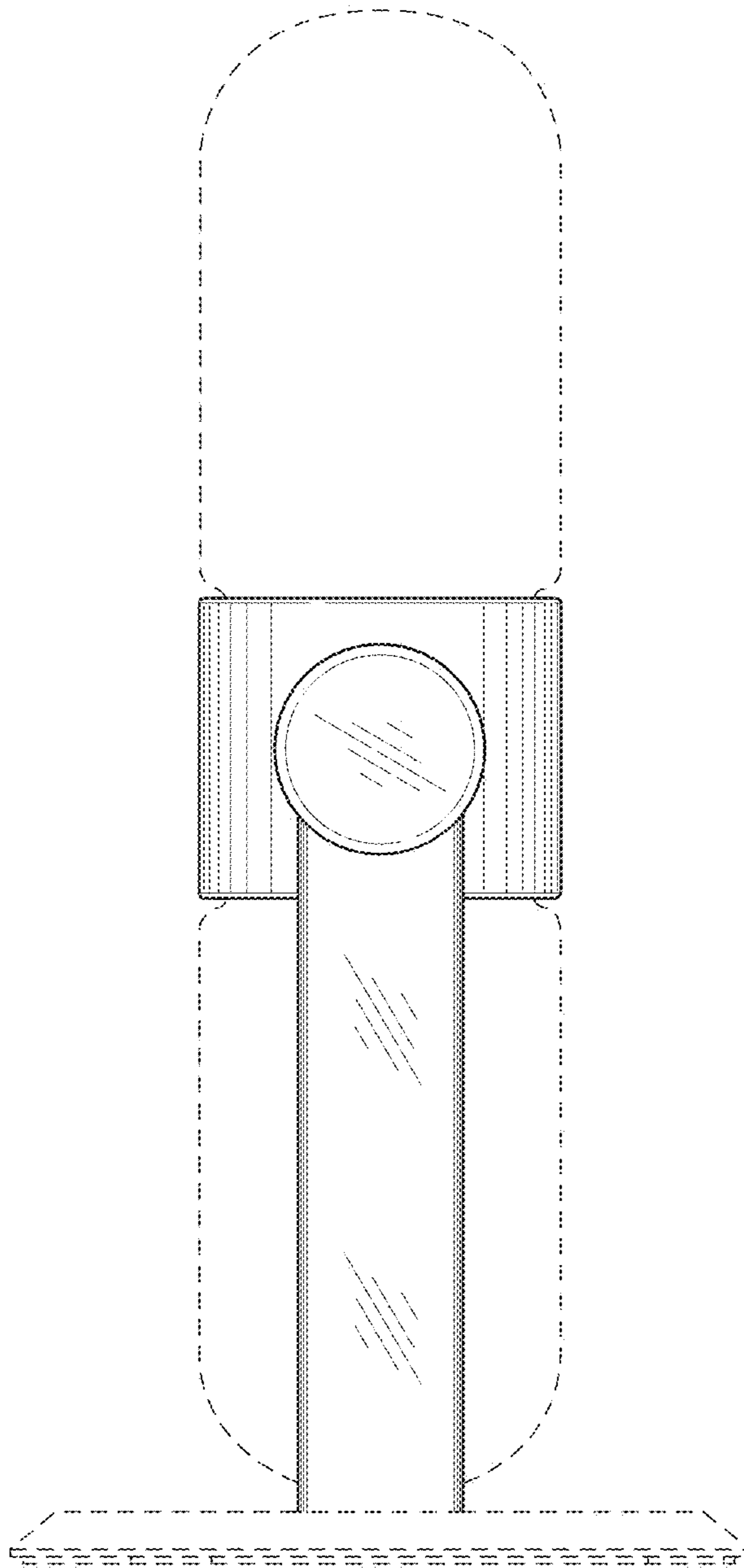


Fig. 6

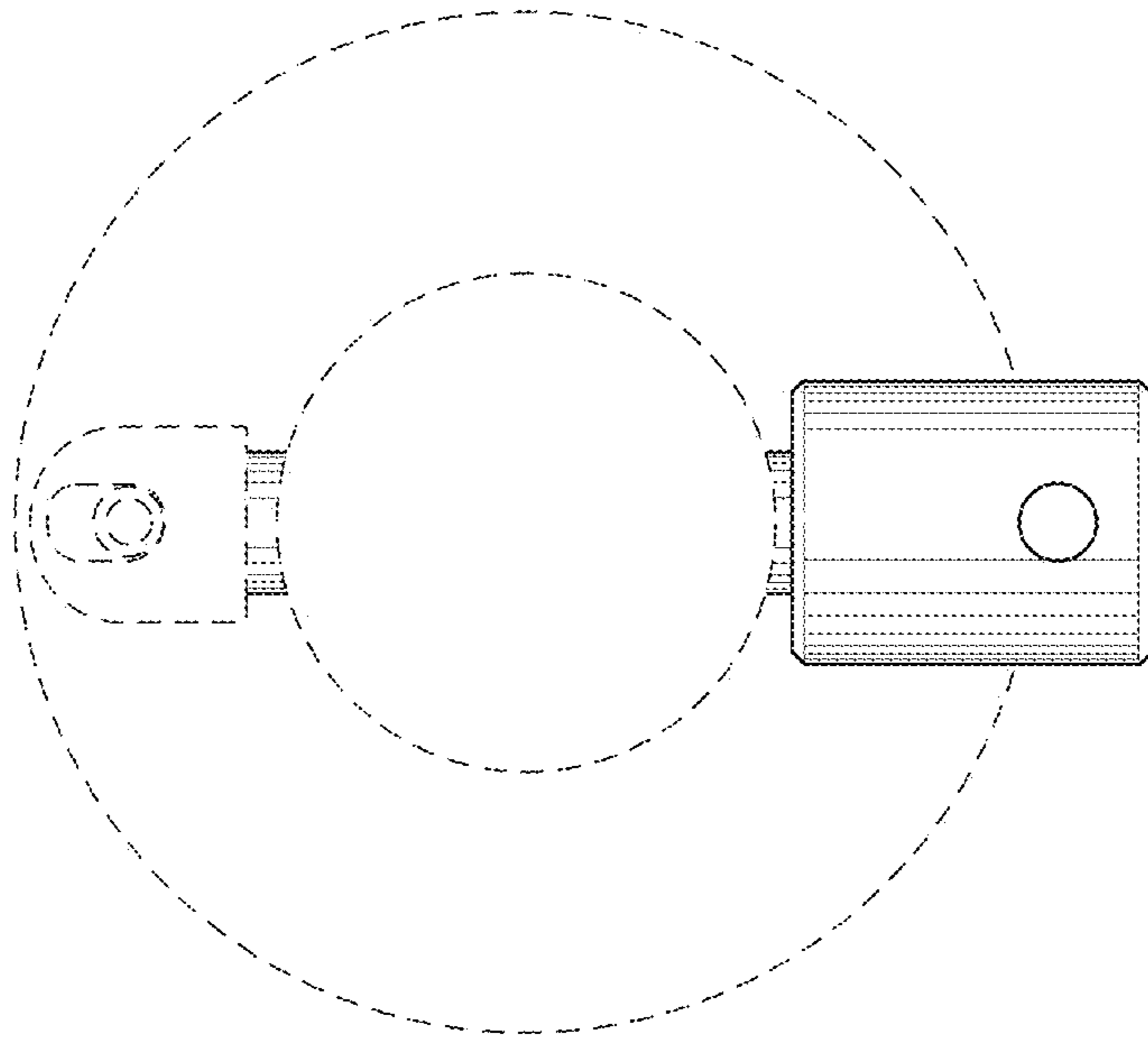


Fig. 7

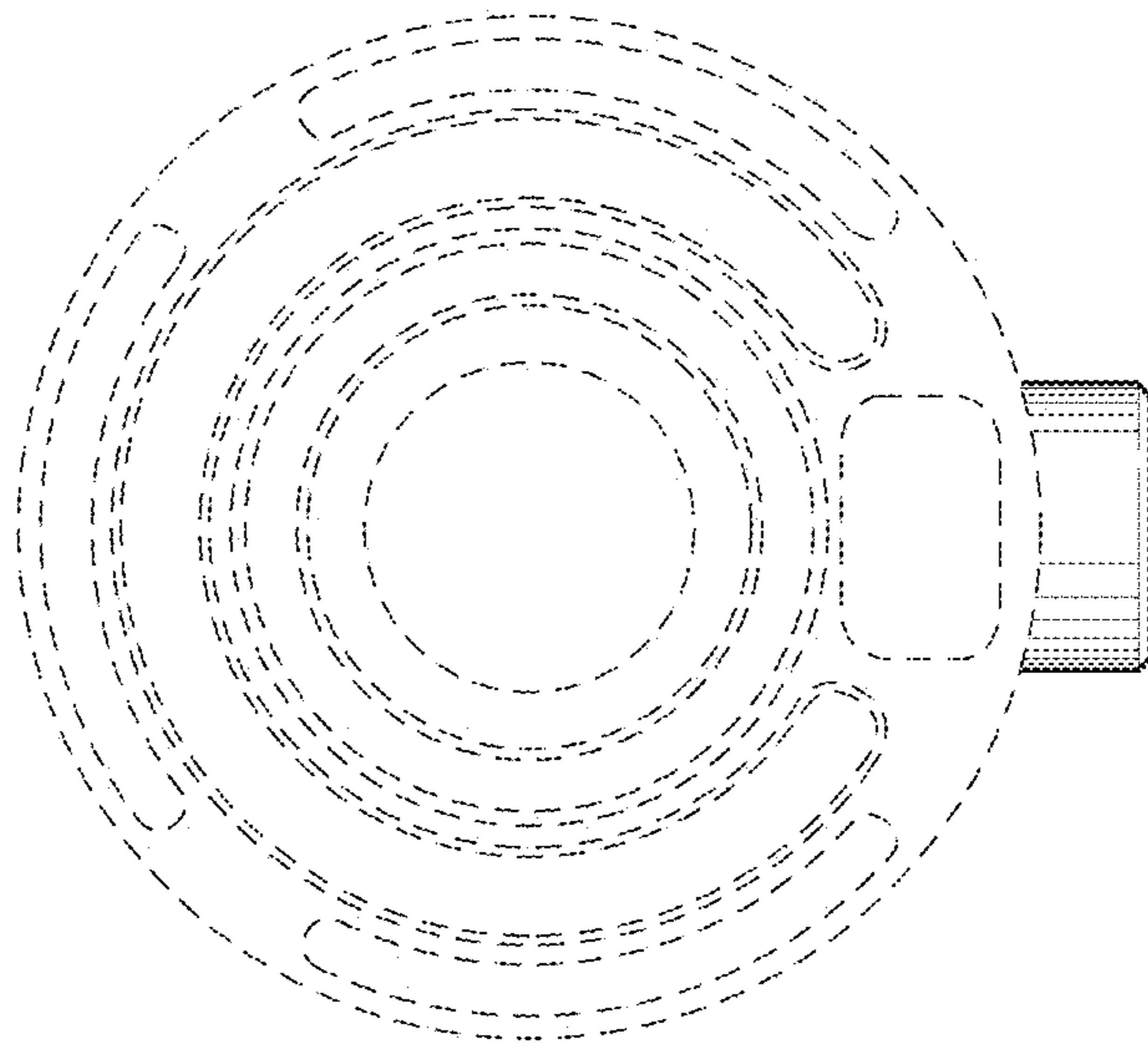


Fig. 8