



US00D970800S

(12) **United States Design Patent** (10) **Patent No.:** **US D970,800 S**
Li (45) **Date of Patent:** **** Nov. 22, 2022**

(54) **FLOOR LAMP**
(71) Applicant: **Shanghai Bingxin Trading Co., Ltd.**,
Shanghai (CN)
(72) Inventor: **Ning Li**, Shanghai (CN)
(73) Assignee: **Shanghai Bingxin Trading Co., Ltd.**,
Shanghai (CN)
(**) Term: **15 Years**
(21) Appl. No.: **29/816,483**
(22) Filed: **Nov. 22, 2021**
(51) **LOC (13) Cl.** **26-05**
(52) **U.S. Cl.**
USPC **D26/110**
(58) **Field of Classification Search**
USPC D26/10, 11, 24, 34, 51, 56, 63, 64, 78,
D26/93, 94, 95, 100, 102, 104, 106, 107,
D26/110
CPC F21S 6/00; F21S 6/002; F21S 6/003; F21S
6/004; F21S 6/005; F21S 6/006; F21S
6/007; F21S 6/008; F21S 8/035; F21S
8/036; F21V 21/06; F21V 21/14; F21V
21/26; F21V 21/30; F21V 1/00; F21V
1/06; F21V 3/02; F21V 3/023; F21W
2131/00; F21W 2131/30
See application file for complete search history.

(56) **References Cited**
U.S. PATENT DOCUMENTS
D294,542 S * 3/1988 Hill D6/673
D328,956 S * 8/1992 Leonard D11/131
D333,361 S * 2/1993 Eddings D26/93
D345,812 S * 4/1994 Yeh D26/106
D546,992 S * 7/2007 Demarest D26/51

D581,577 S * 11/2008 Baldele D26/104
D630,369 S * 1/2011 Shapiro D26/93
D638,640 S 5/2011 Molayem
D648,058 S * 11/2011 Chen D26/110
D709,717 S 7/2014 Hsu
D728,846 S 5/2015 McCormick et al.
D728,847 S 5/2015 Wiedenmann et al.
D732,231 S 6/2015 Anastassiades
D755,434 S * 5/2016 Martin D26/93
D768,908 S 10/2016 Fisher et al.
D774,240 S 12/2016 Velez
D800,953 S 10/2017 Zandée
D878,117 S 3/2020 Gelman
D885,093 S 5/2020 Gelman
D907,414 S 1/2021 Li
D934,487 S * 10/2021 Yeh D26/110
2011/0242824 A1 * 10/2011 Chen F21V 17/007
362/351
2014/0118995 A1 * 5/2014 Chen F21V 33/0012
362/127
2018/0138645 A1 * 5/2018 Chen H01R 33/225

* cited by examiner

Primary Examiner — Wan Laymon
Assistant Examiner — Clint A Samuel

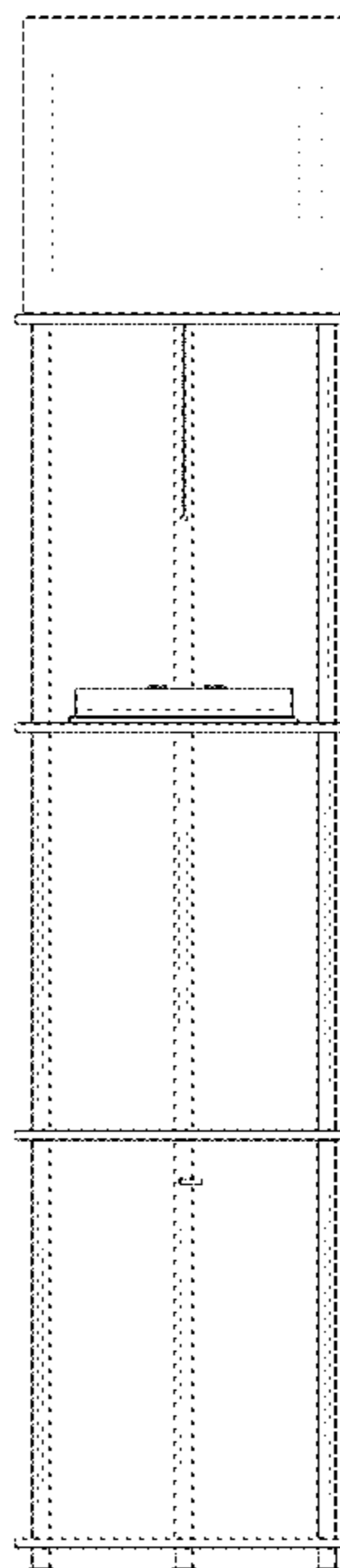
(57) **CLAIM**

The ornamental design for a floor lamp, as shown and described.

DESCRIPTION

FIG. 1 is a front elevation view of a floor lamp showing the new design;
FIG. 2 is a back elevation view thereof;
FIG. 3 is a left-side view thereof;
FIG. 4 is a right-side view thereof;
FIG. 5 is a top plan view thereof;
FIG. 6 is a bottom plan view thereof; and,
FIG. 7 is a perspective view thereof.

1 Claim, 7 Drawing Sheets



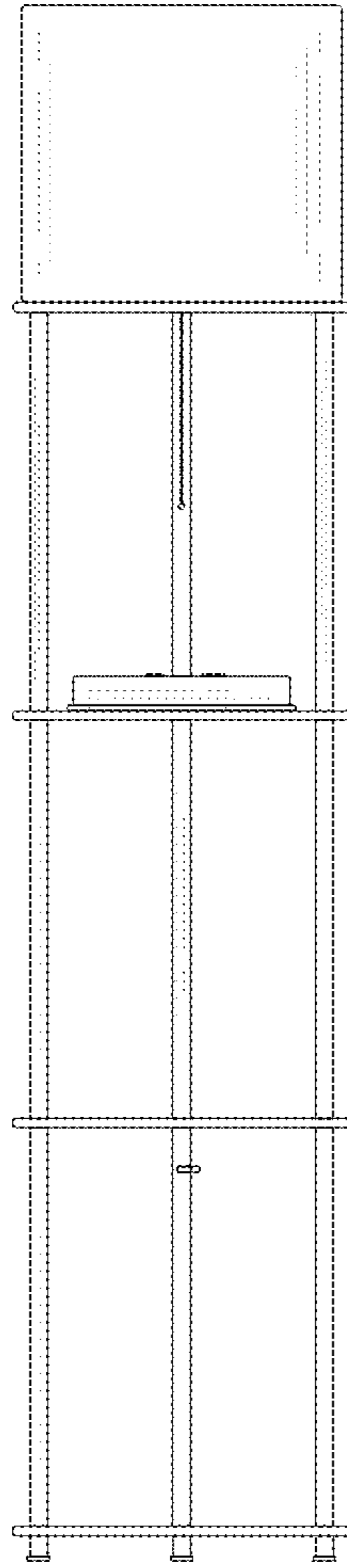


FIG. 1

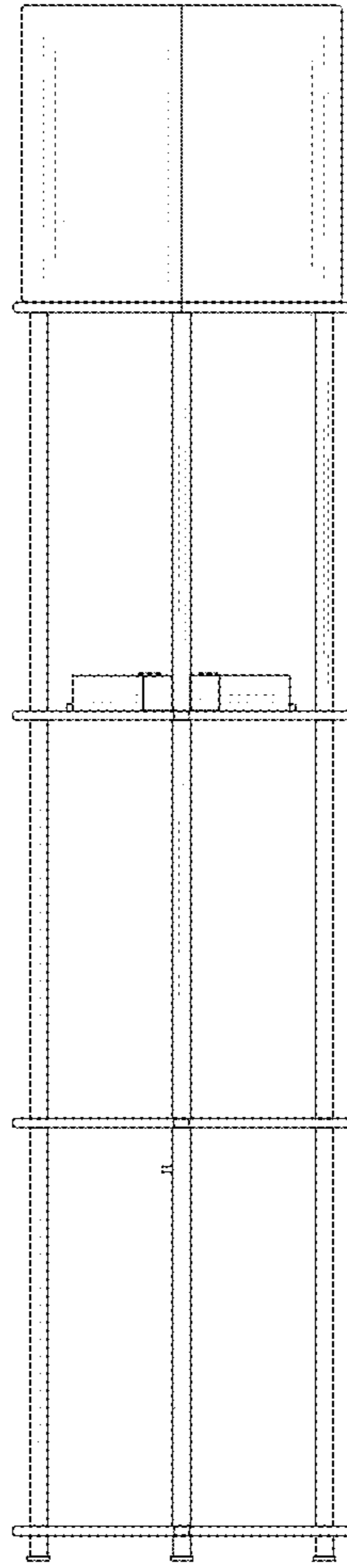


FIG. 2

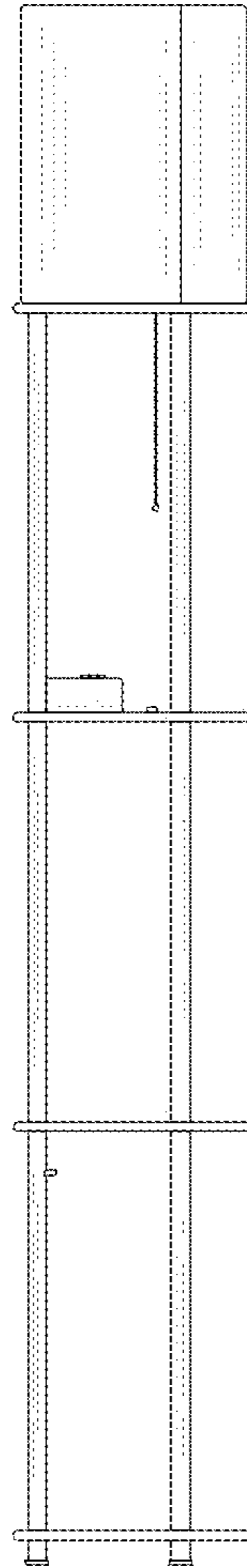


FIG. 3

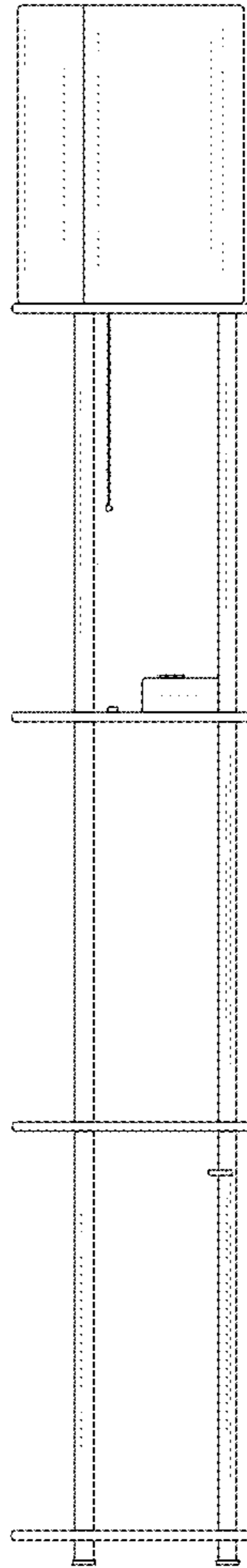


FIG. 4

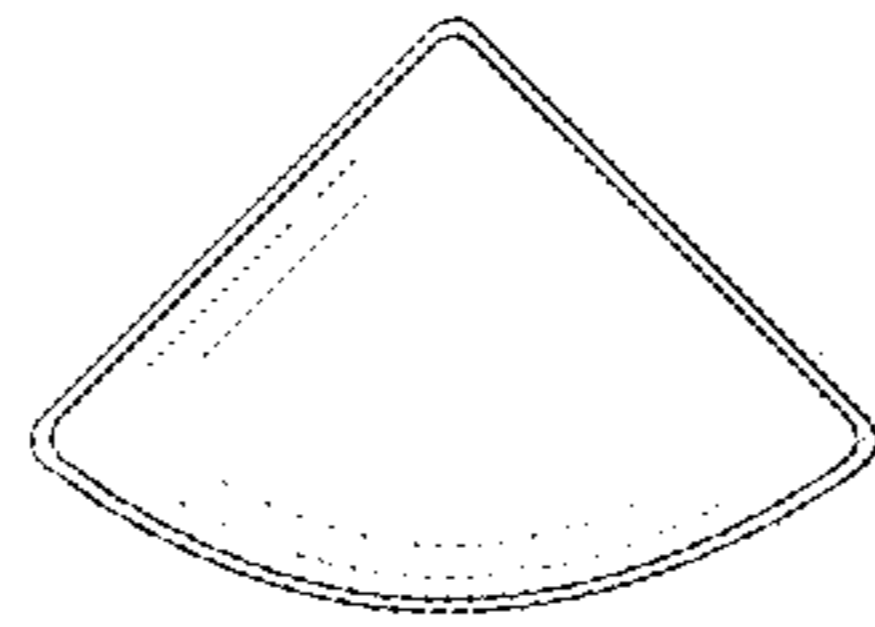


FIG. 5

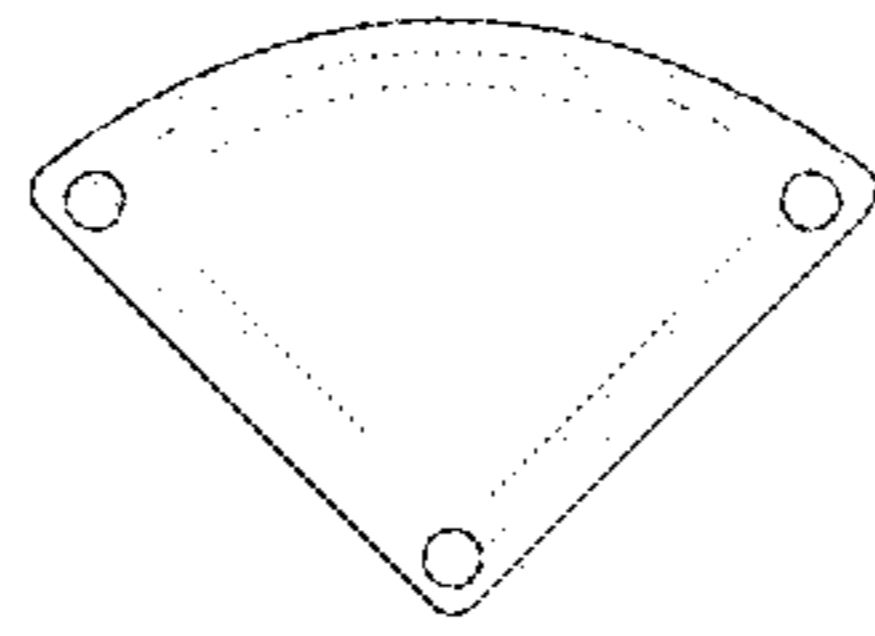


FIG. 6

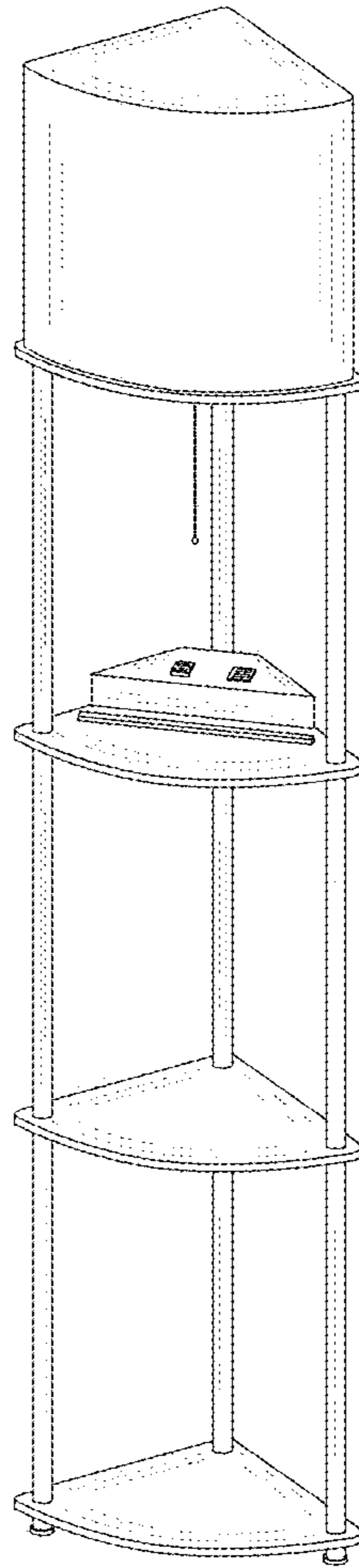


FIG. 7