



US00D970799S

(12) **United States Design Patent** (10) **Patent No.:** **US D970,799 S**  
**Yu** (45) **Date of Patent:** **\*\* Nov. 22, 2022**

(54) **FLOOR LAMP**

(71) Applicant: **Shaolei Yu**, Shenzhen (CN)

(72) Inventor: **Shaolei Yu**, Shenzhen (CN)

(\*\*) Term: **15 Years**

(21) Appl. No.: **29/833,808**

(22) Filed: **Apr. 7, 2022**

(51) **LOC (13) Cl.** ..... **26-05**

(52) **U.S. Cl.**

USPC ..... **D26/106; D26/93; D26/102**

(58) **Field of Classification Search**

USPC ..... D26/10, 11, 24, 34, 51, 56, 63, 64, 78,  
D26/93, 94, 95, 100, 102, 104, 106, 107,  
D26/110

CPC .... F21S 6/00; F21S 6/002; F21S 6/003; F21S  
6/004; F21S 6/005; F21S 6/006; F21S  
6/007; F21S 6/008; F21S 8/035; F21S  
8/036; F21V 21/06; F21V 21/14; F21V  
21/26; F21V 21/30; F21V 1/00; F21V  
1/06; F21V 3/02; F21V 3/023; F21W  
2131/00; F21W 2131/30

See application file for complete search history.

(56) **References Cited**

U.S. PATENT DOCUMENTS

D75,783 S \* 7/1928 Edmondson ..... D26/106  
D210,796 S \* 4/1968 Jones ..... D26/93

D210,797 S \* 4/1968 Jones ..... D26/93  
D465,054 S \* 10/2002 Lau ..... D26/93  
D488,249 S \* 4/2004 Opolka ..... D26/110  
D532,145 S \* 11/2006 Goetz-Schaefer ..... D26/106  
D662,640 S \* 6/2012 Ng ..... D26/65  
D776,327 S \* 1/2017 Ng ..... D26/106  
D877,963 S \* 3/2020 Cinier ..... D26/106  
D939,131 S 12/2021 Gao  
D943,138 S 2/2022 Wang  
D944,442 S 2/2022 Chen  
D948,104 S 4/2022 Gu  
D953,607 S \* 5/2022 Chen ..... D26/93  
D956,324 S \* 6/2022 Liu ..... D26/106

\* cited by examiner

*Primary Examiner* — Wan Laymon

*Assistant Examiner* — Clint A Samuel

(74) *Attorney, Agent, or Firm* — Xuan Zhang

(57) **CLAIM**

The ornamental design for a floor lamp, as shown and described.

**DESCRIPTION**

FIG. 1 is a perspective view of a floor lamp showing my new design;

FIG. 2 is a front view thereof;

FIG. 3 is a rear view thereof;

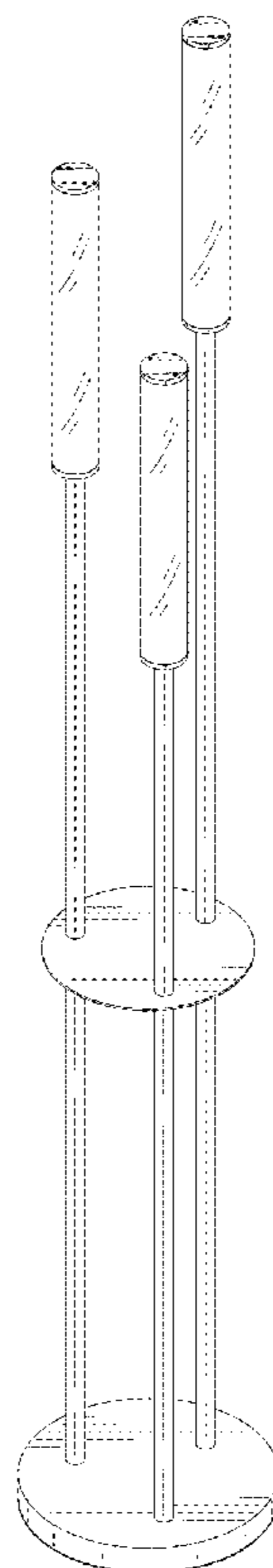
FIG. 4 is a left view thereof;

FIG. 5 is a right view thereof;

FIG. 6 is a top view thereof; and,

FIG. 7 is a bottom view thereof.

**1 Claim, 7 Drawing Sheets**



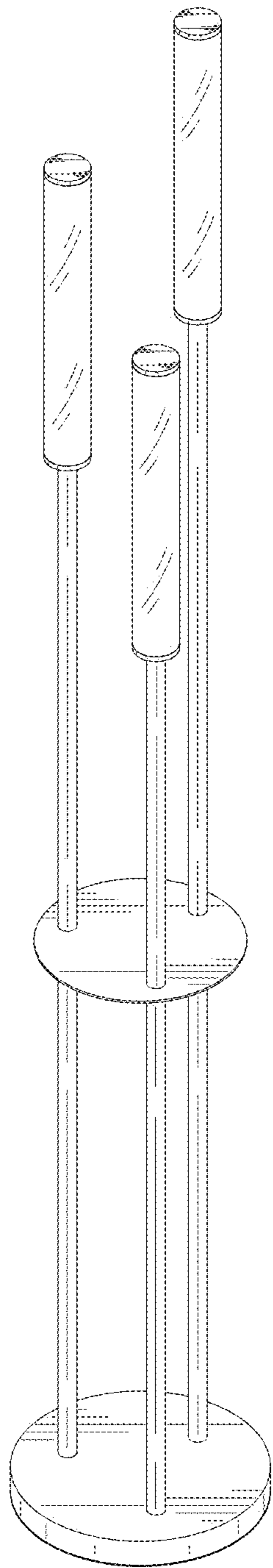


FIG. 1

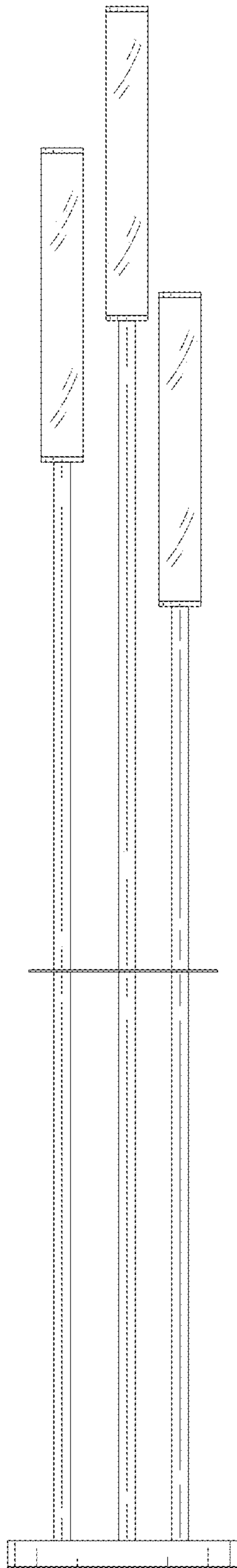


FIG.2

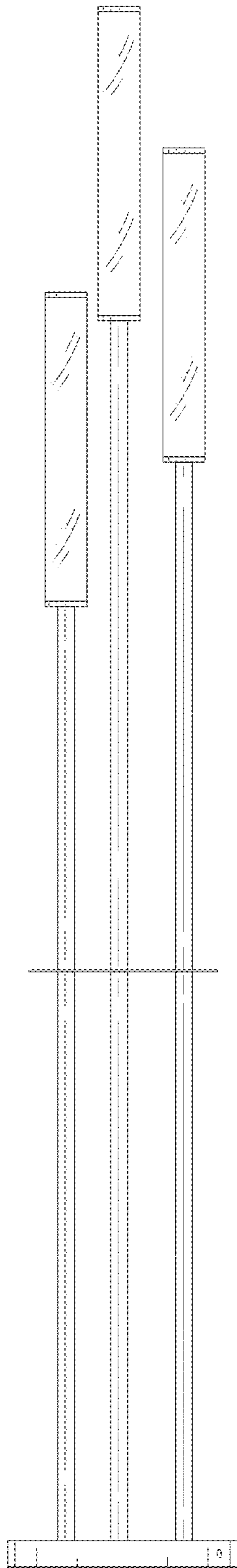


FIG. 3

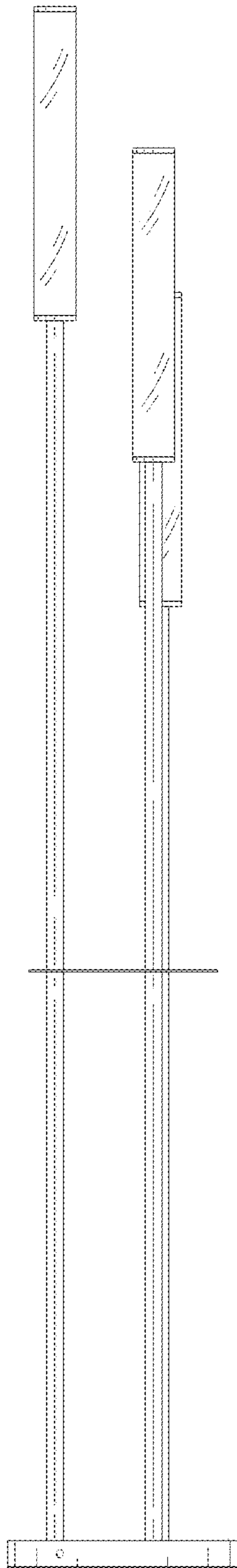


FIG.4

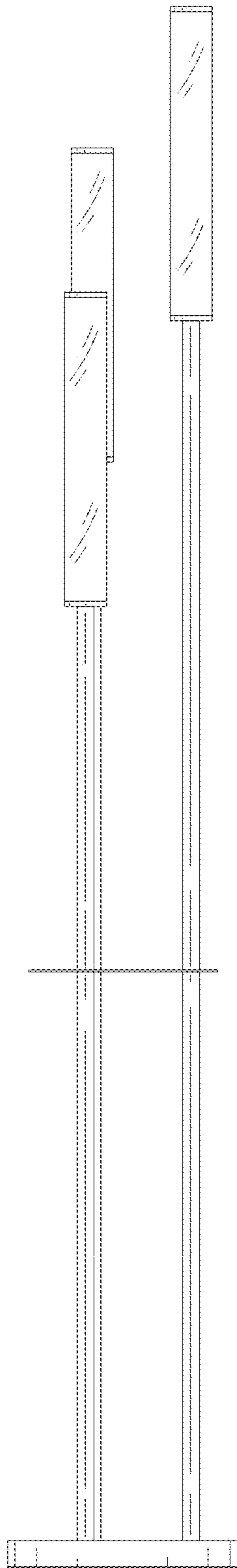


FIG. 5

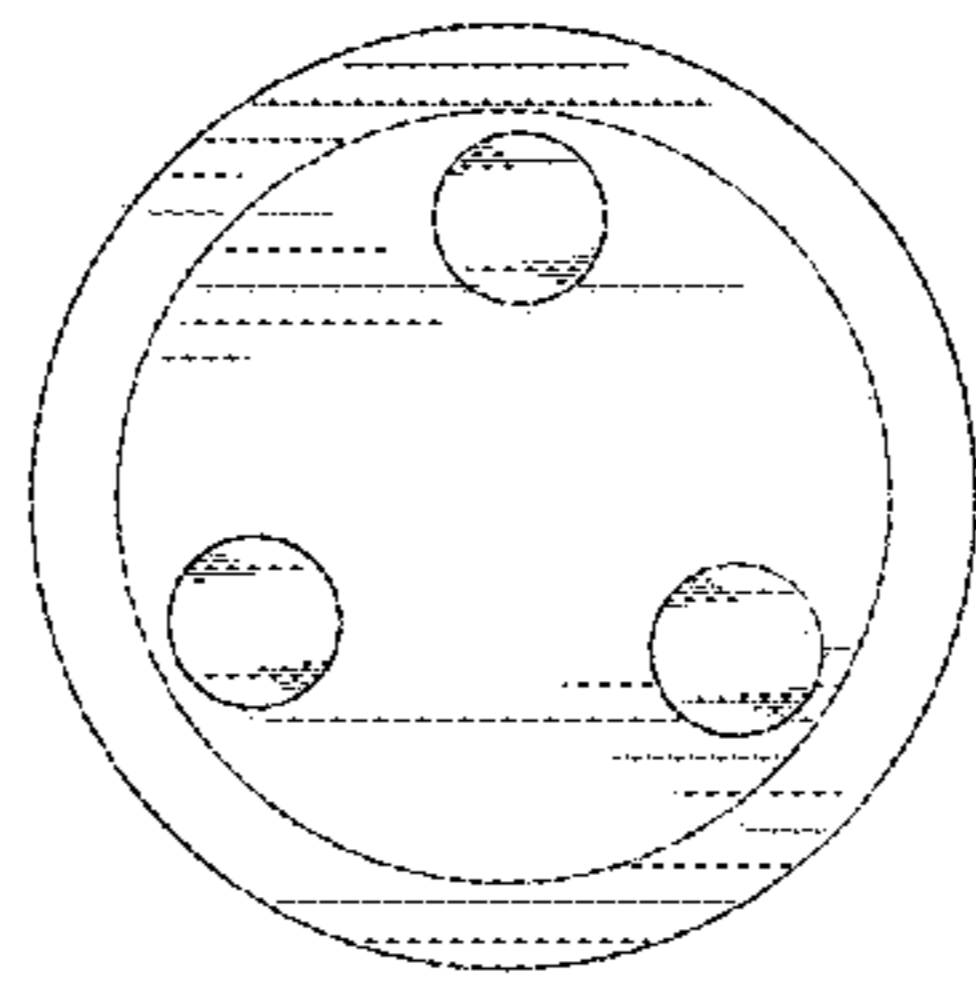


FIG.6

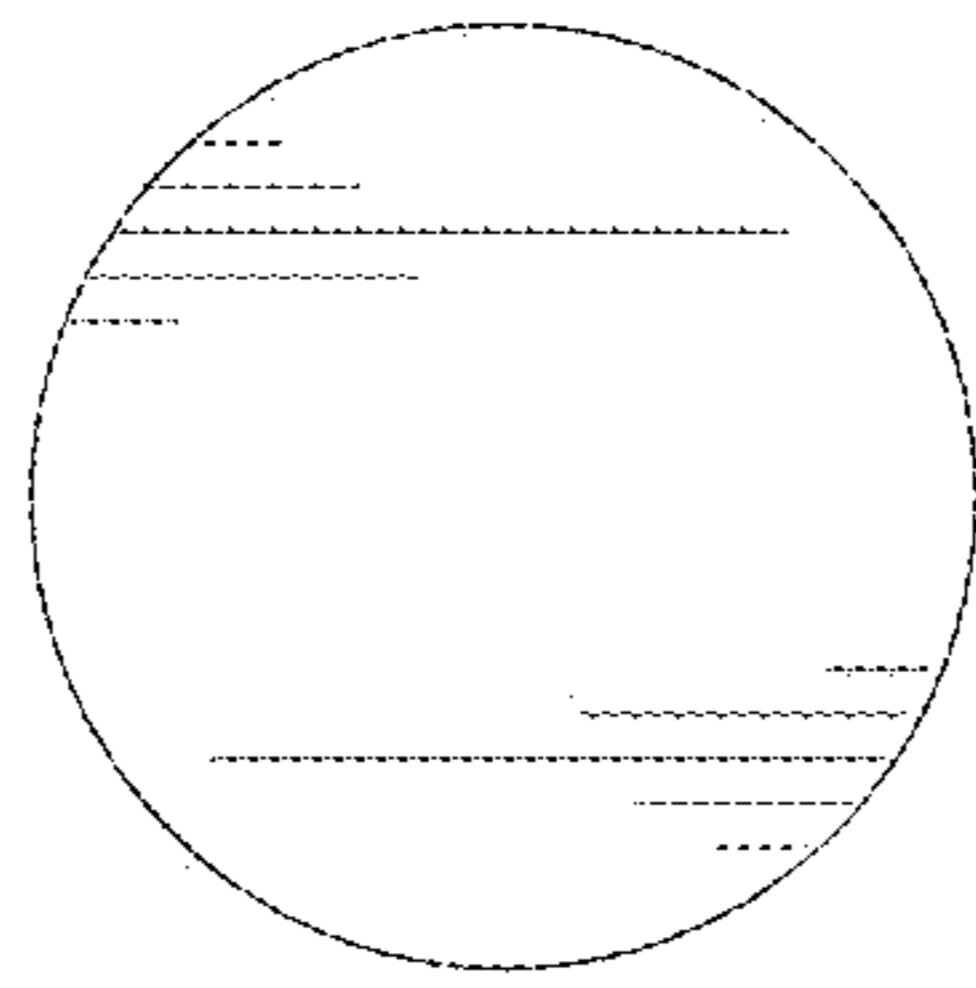


FIG.7