



US00D970798S

(12) **United States Design Patent** (10) **Patent No.:** **US D970,798 S**
Cui (45) **Date of Patent:** **** Nov. 22, 2022**

(54) **TABLE LIGHT**

(71) Applicant: **Chang Lin Cui**, Linkou County (CN)

(72) Inventor: **Chang Lin Cui**, Linkou County (CN)

(73) Assignee: **Chang Lin Cui**, Linkou County (CN)

(**) Term: **15 Years**

(21) Appl. No.: **29/801,725**

(22) Filed: **Jul. 30, 2021**

(51) **LOC (13) Cl.** **26-05**

(52) **U.S. Cl.**
USPC **D26/106**

(58) **Field of Classification Search**
USPC D26/24, 37, 38, 43, 44, 61, 62, 63, 65,
D26/87, 93, 106, 107, 108, 110
CPC F21S 8/08; F21S 8/032; F21S 8/035; F21S
8/036; F21S 6/00; F21S 6/002; F21S
6/003; F21S 6/006; F21W 2131/30; F21V
21/06; F21V 21/32; F21V 21/145
See application file for complete search history.

(56) **References Cited**

U.S. PATENT DOCUMENTS

D171,378 S *	2/1954	Borowitz	D11/143
D304,164 S *	10/1989	Rochte	D11/131
D385,056 S	10/1997	Yang		
D557,854 S *	12/2007	Lewis	D26/81
D605,811 S *	12/2009	Salatto-Rose	D26/94
D656,663 S *	3/2012	Son	D26/118
D807,563 S *	1/2018	Amato	D26/88
D847,417 S *	4/2019	Zeng	D26/110
D876,709 S *	2/2020	Zeng	D26/110
D919,164 S *	5/2021	Wang	D26/110
D958,442 S *	7/2022	Li	D26/106

* cited by examiner

Primary Examiner — Wan Laymon

Assistant Examiner — Clint A Samuel

(74) *Attorney, Agent, or Firm* — Nitin Kaushik

(57) **CLAIM**

The ornamental design for a table light, as shown atnd described.

DESCRIPTION

FIG. 1 is a front elevational view of a table light showing my new design, and the back, left, and right elevational views of the table light are each the same as the front elevational view;

FIG. 2 is a top plan view thereof;

FIG. 3 is a bottom plan view thereof;

FIG. 4 is a top side perspective view thereof;

FIG. 5 is a bottom side perspective view thereof;

FIG. 6 is a front elevational view of the table light illustrated with an installed light shade thereon, and the back, left, and right elevational views of the table light with the light shade are each the same as the front elevational view of the table light with the light shade;

FIG. 7 is a bottom plan view of the table light with the light shade as shown in FIG. 6;

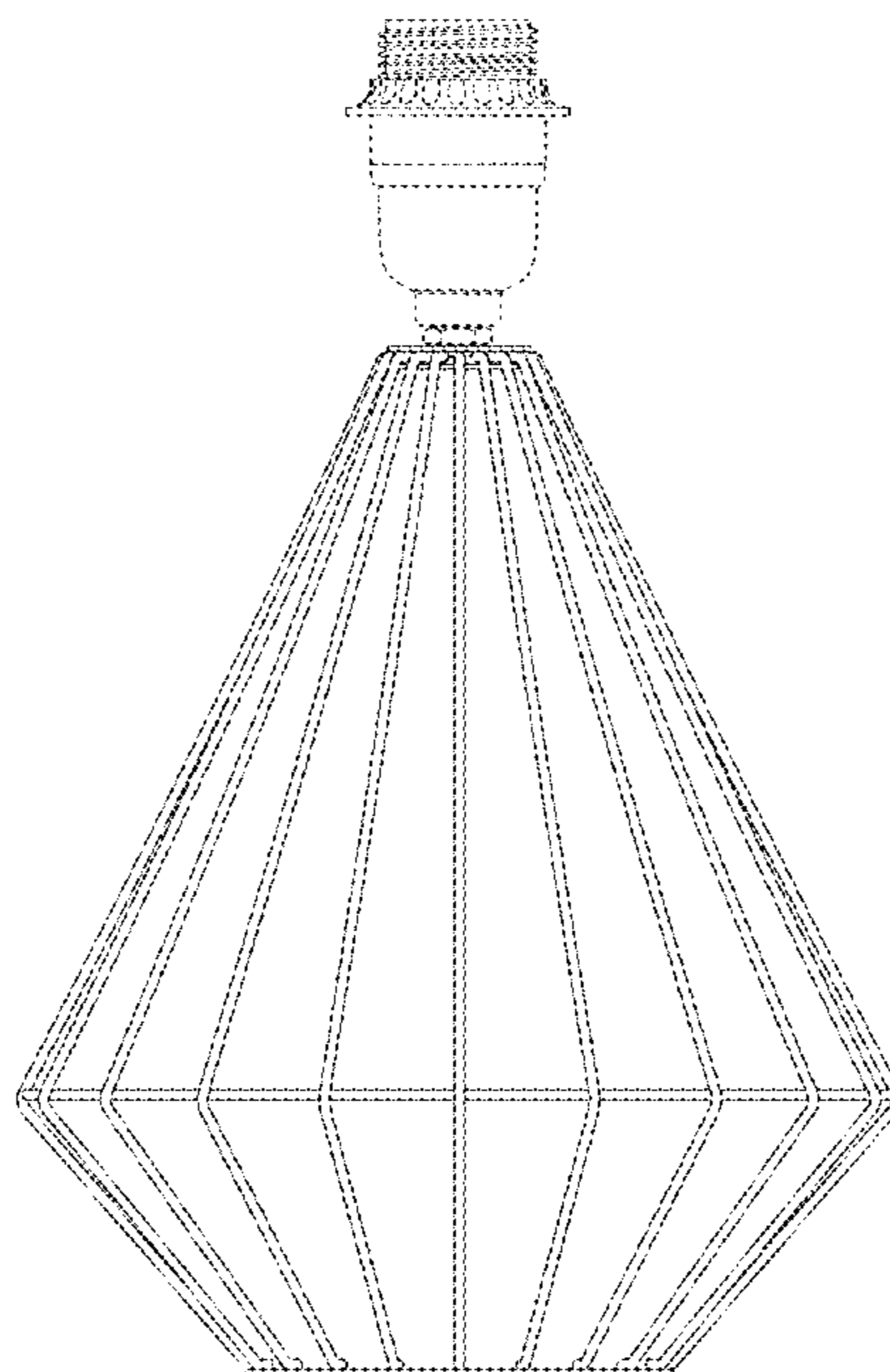
FIG. 8 is a top plan view of the table light with the light shade as shown in FIG. 6;

FIG. 9 is a top side perspective view of the table light with the light shade as shown in FIG. 6; and,

FIG. 10 is a bottom side perspective view of the table light with the light shade as shown in FIG. 6.

The broken line showing in the drawings is included for the purpose of illustrating portions of the table light and forms no pan of the claimed design.

1 Claim, 10 Drawing Sheets



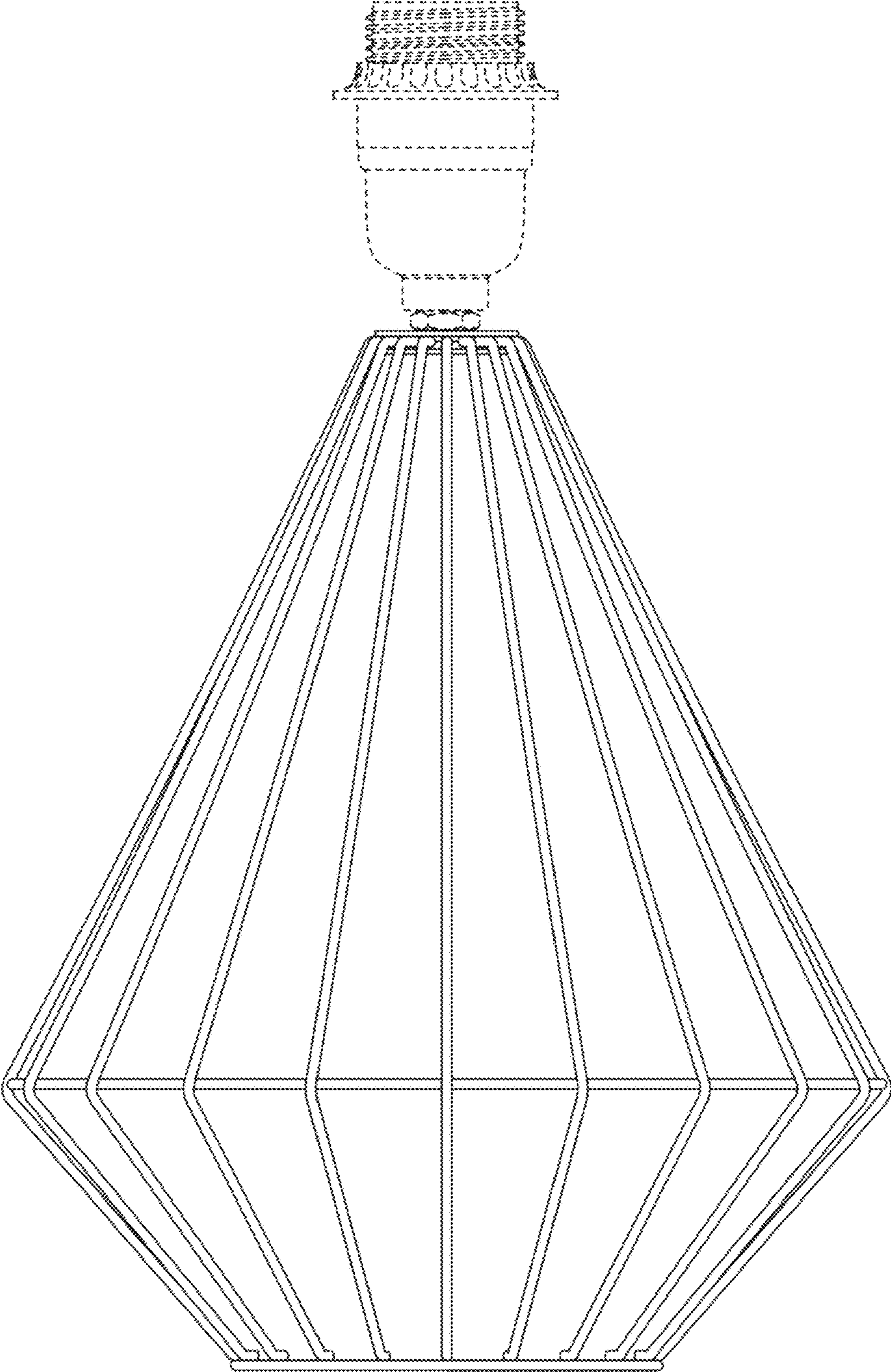


FIG 1

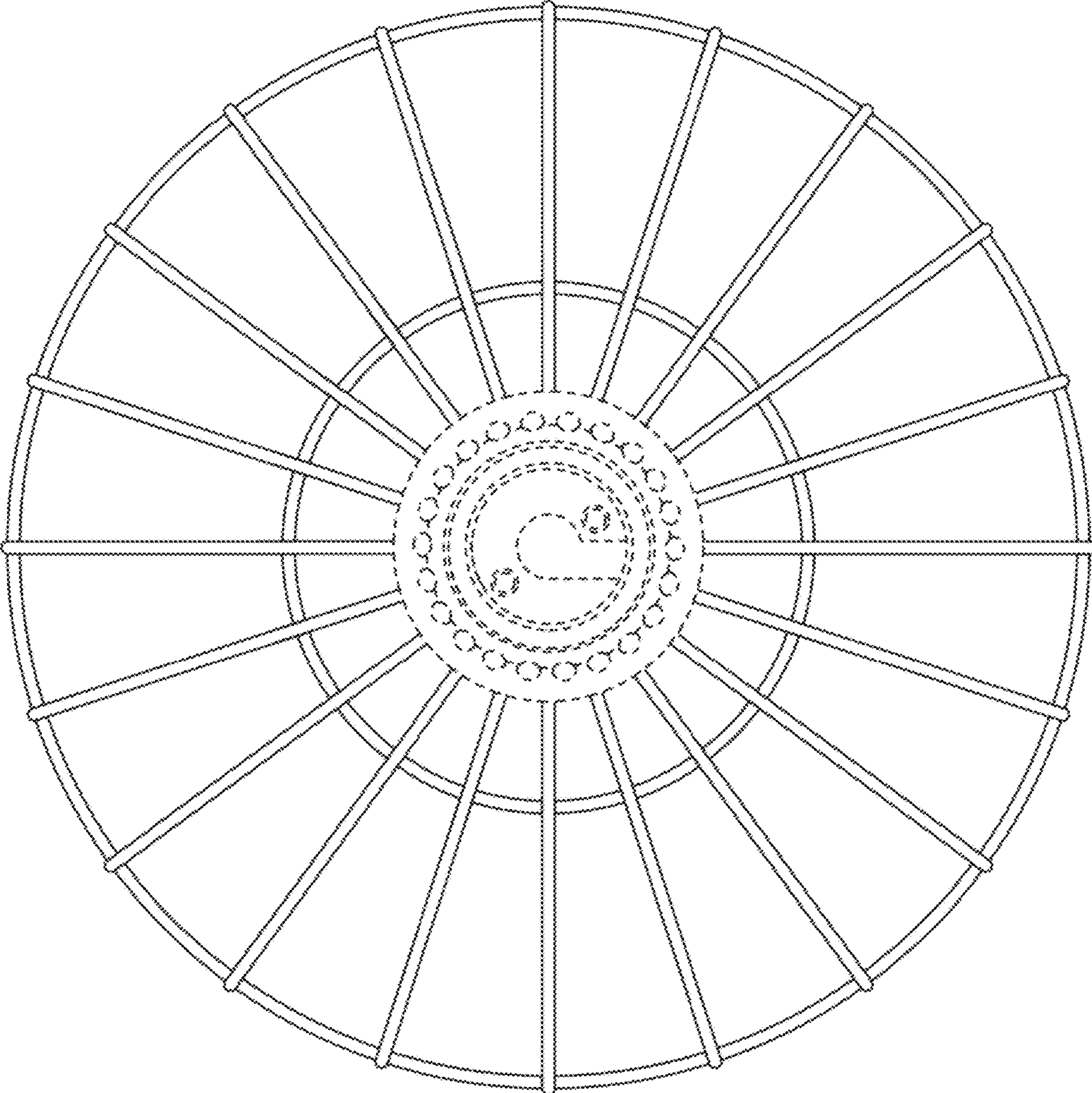


FIG2

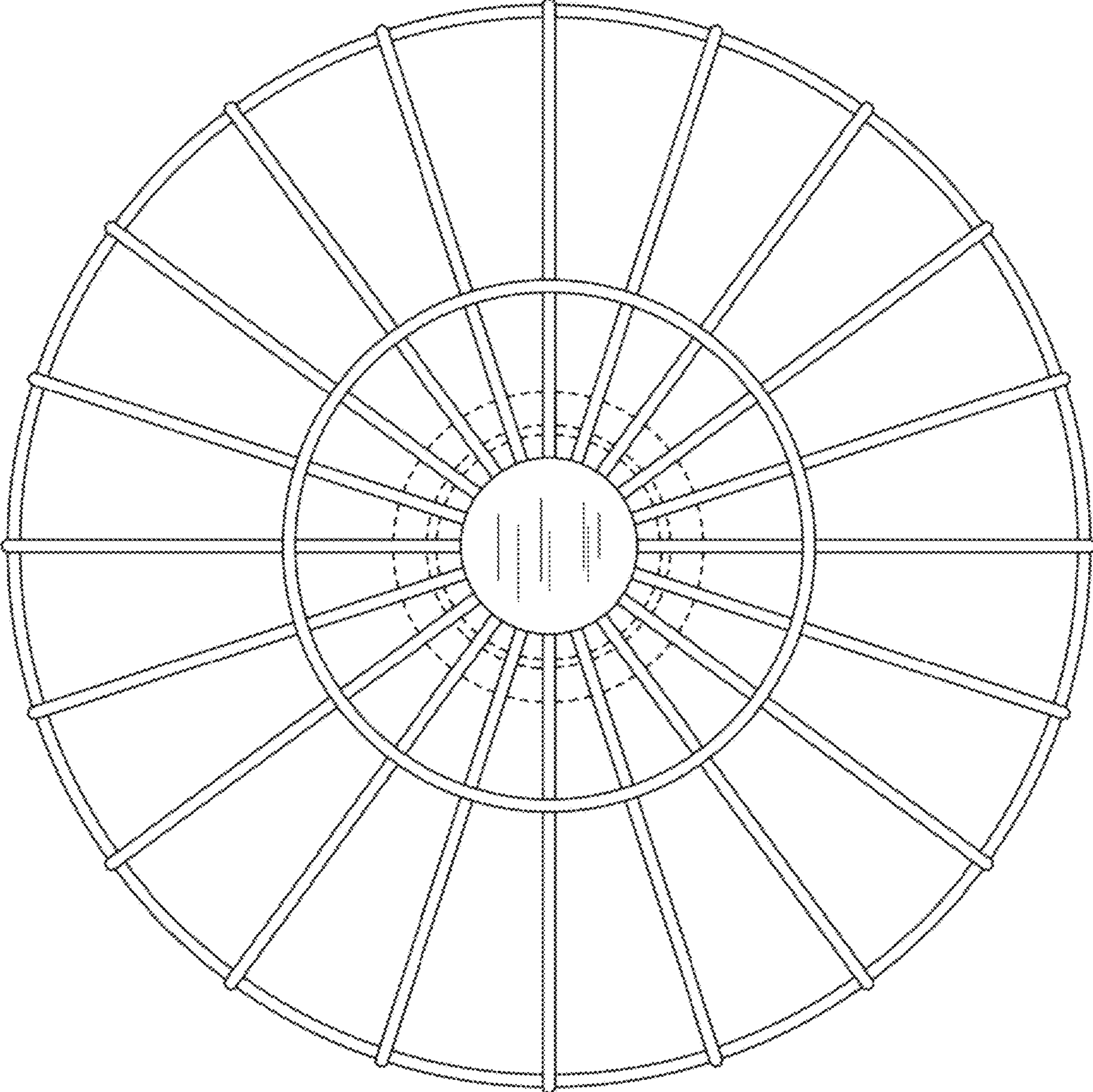


FIG 3

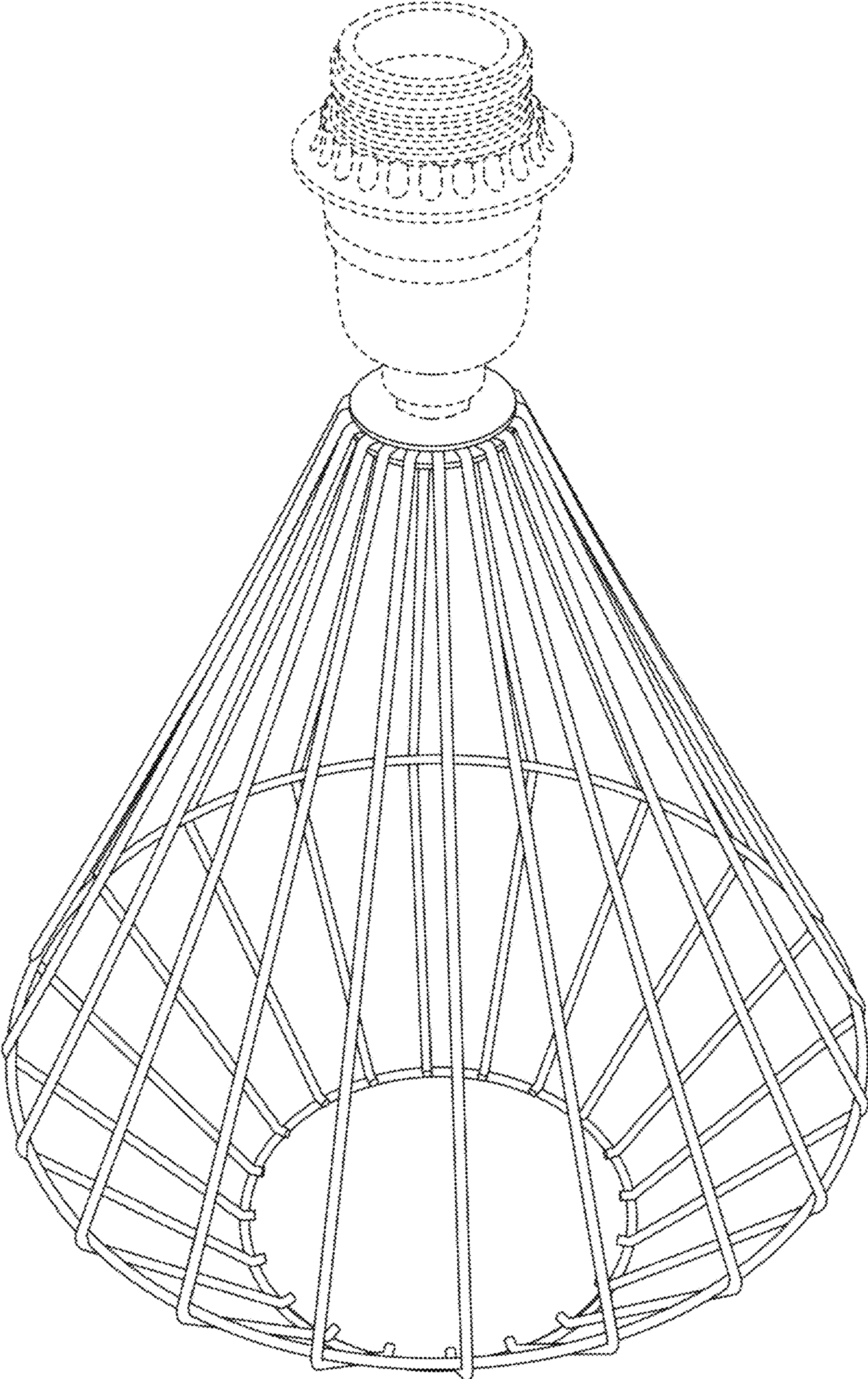


FIG 4

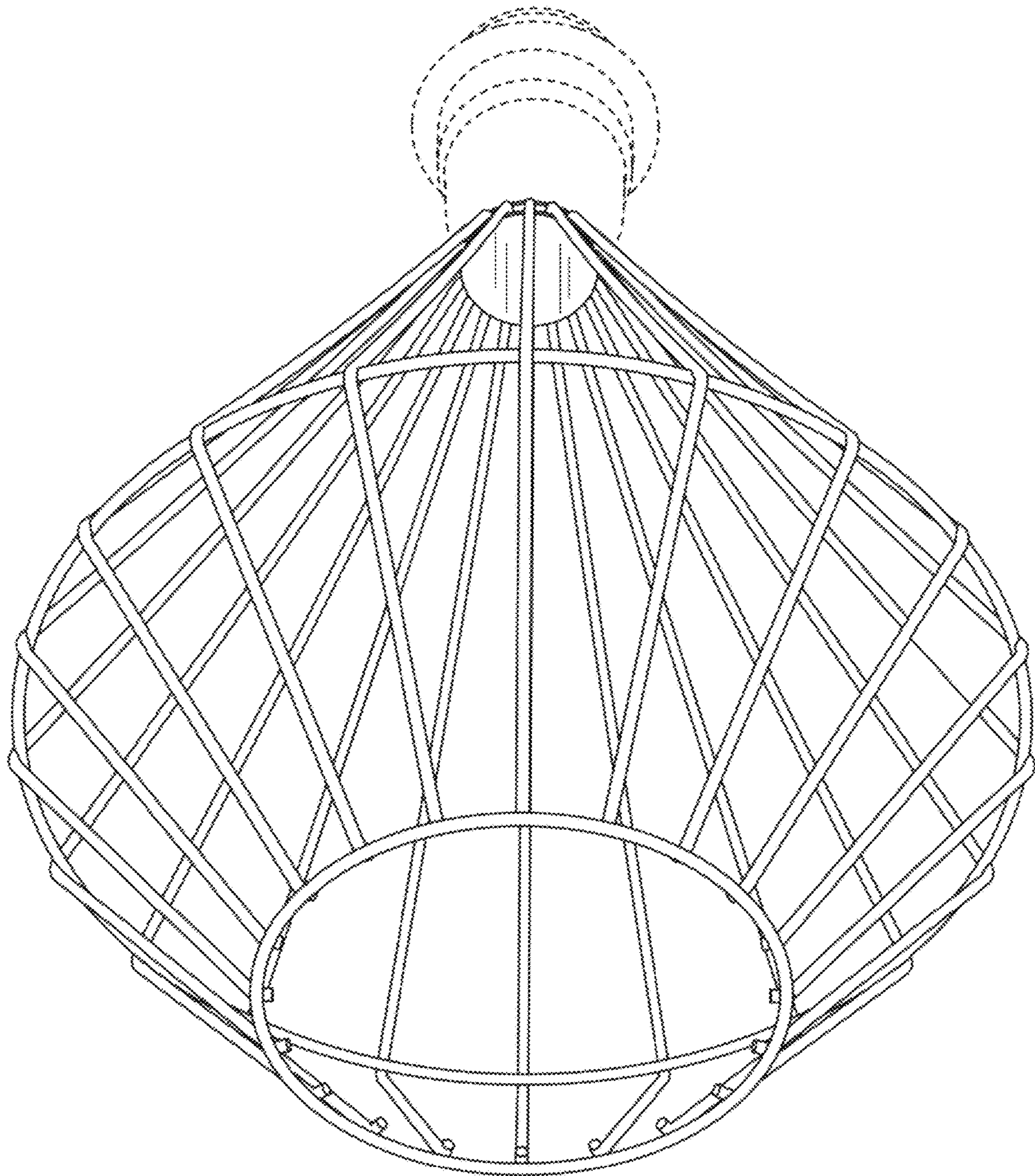


FIG5

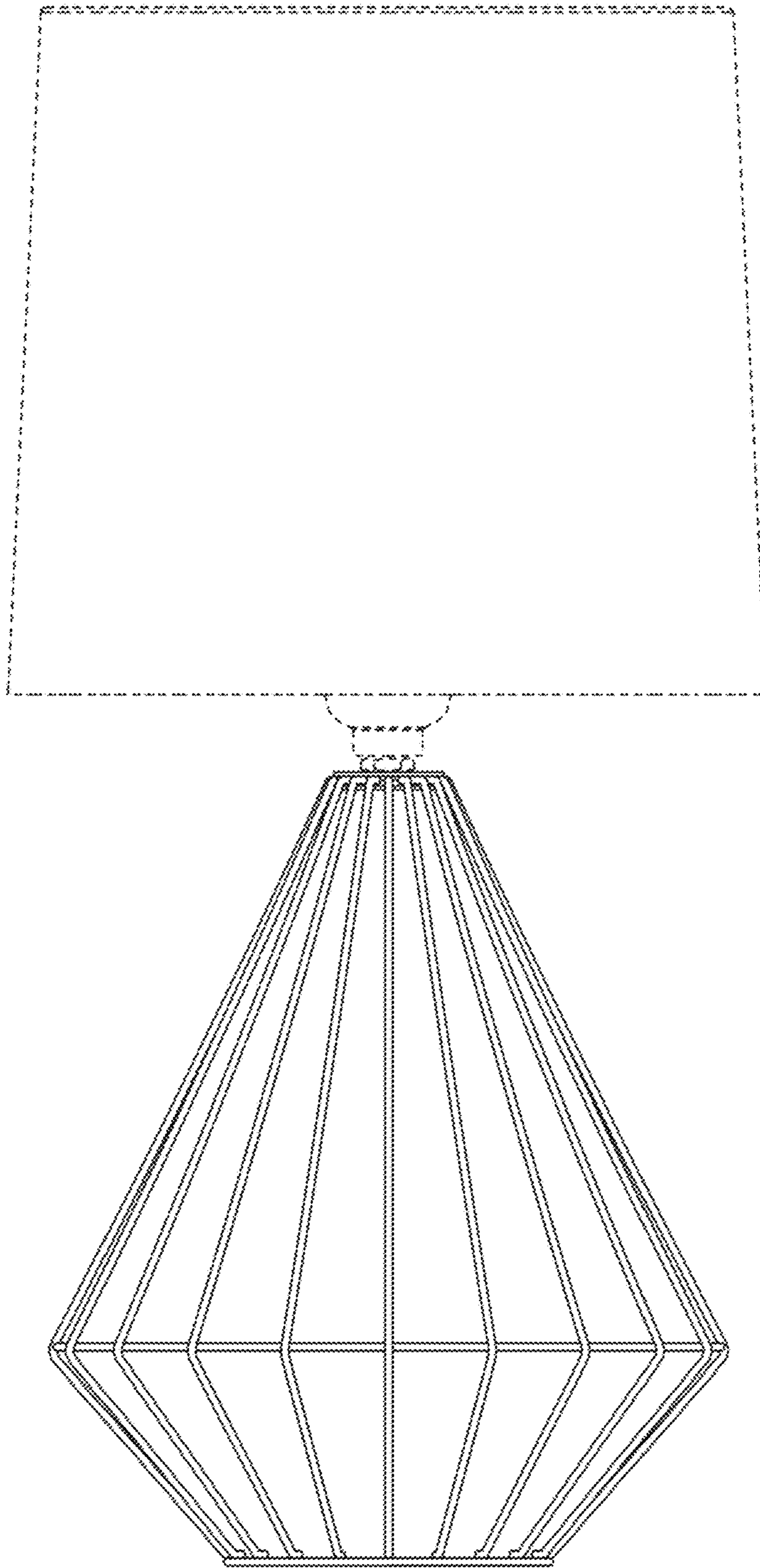


FIG6

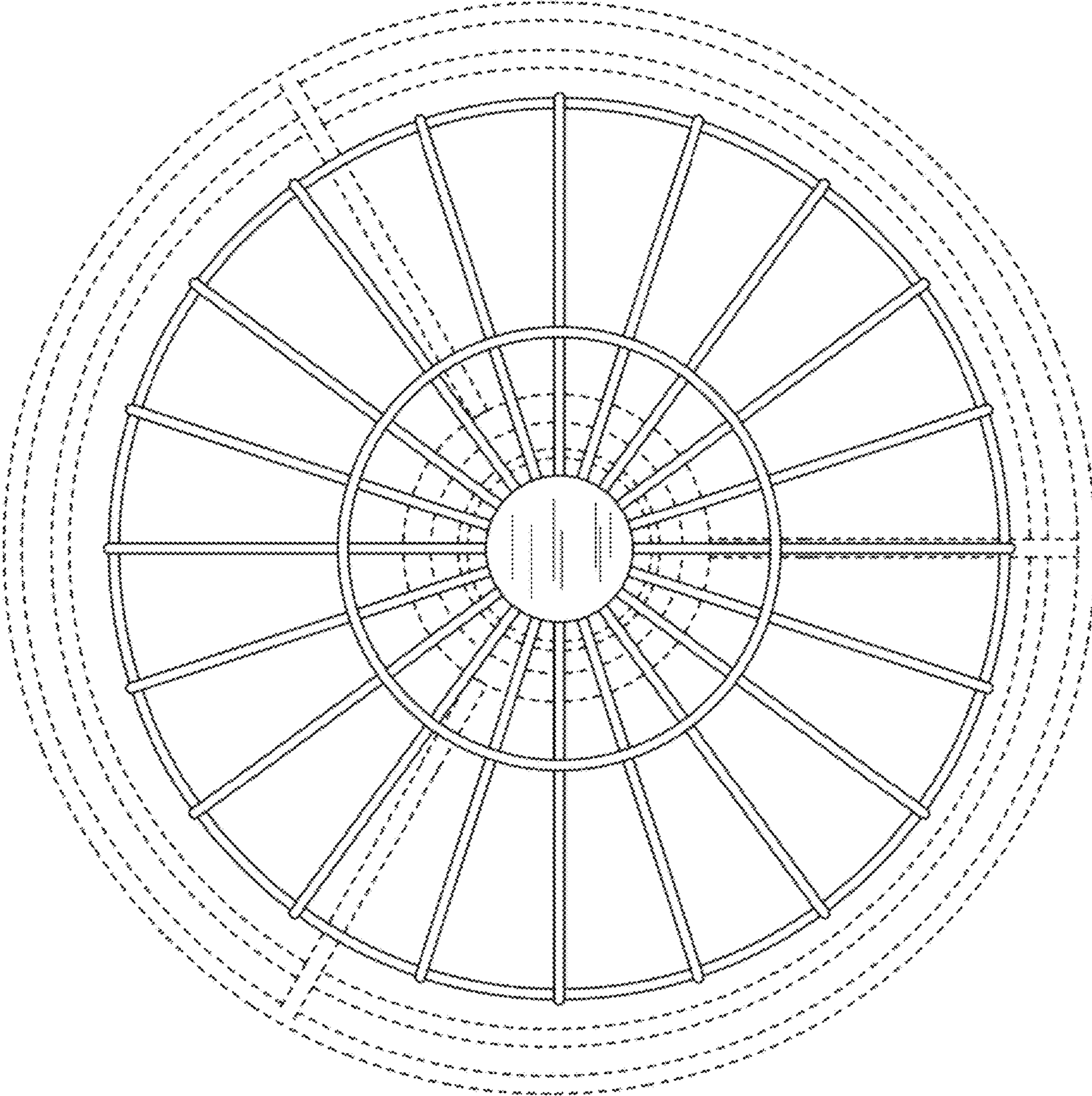


FIG7

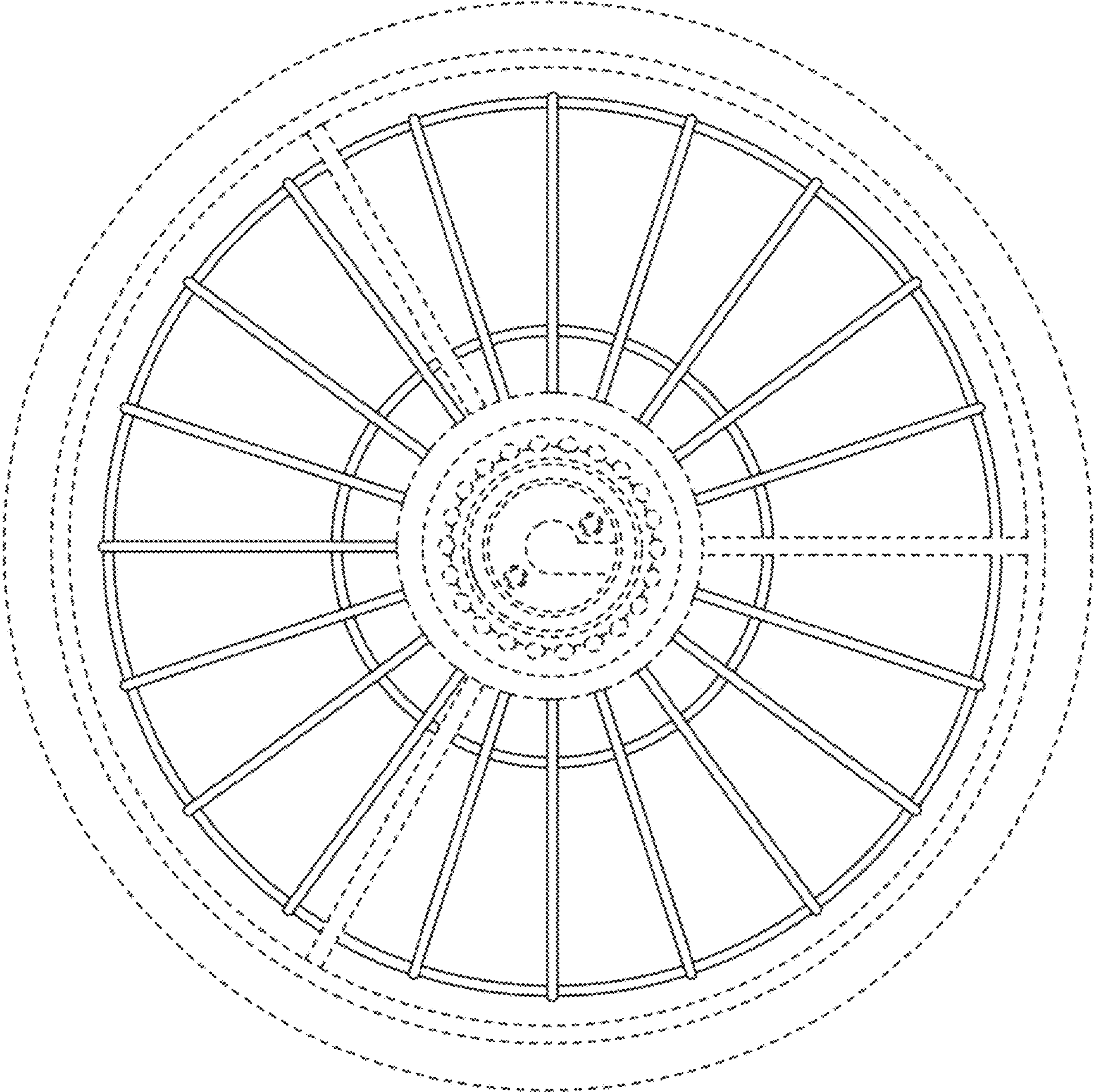


FIG8

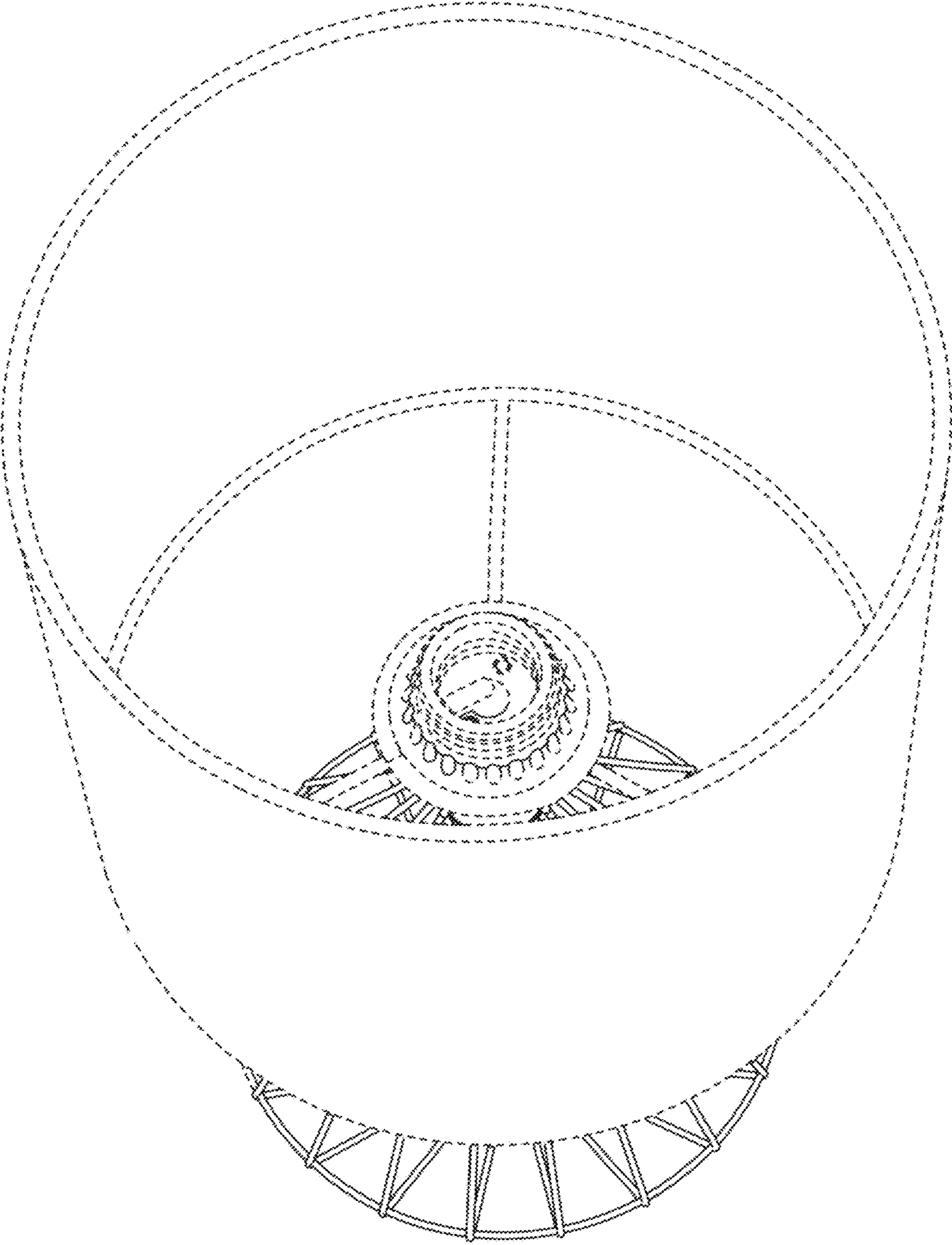


FIG9

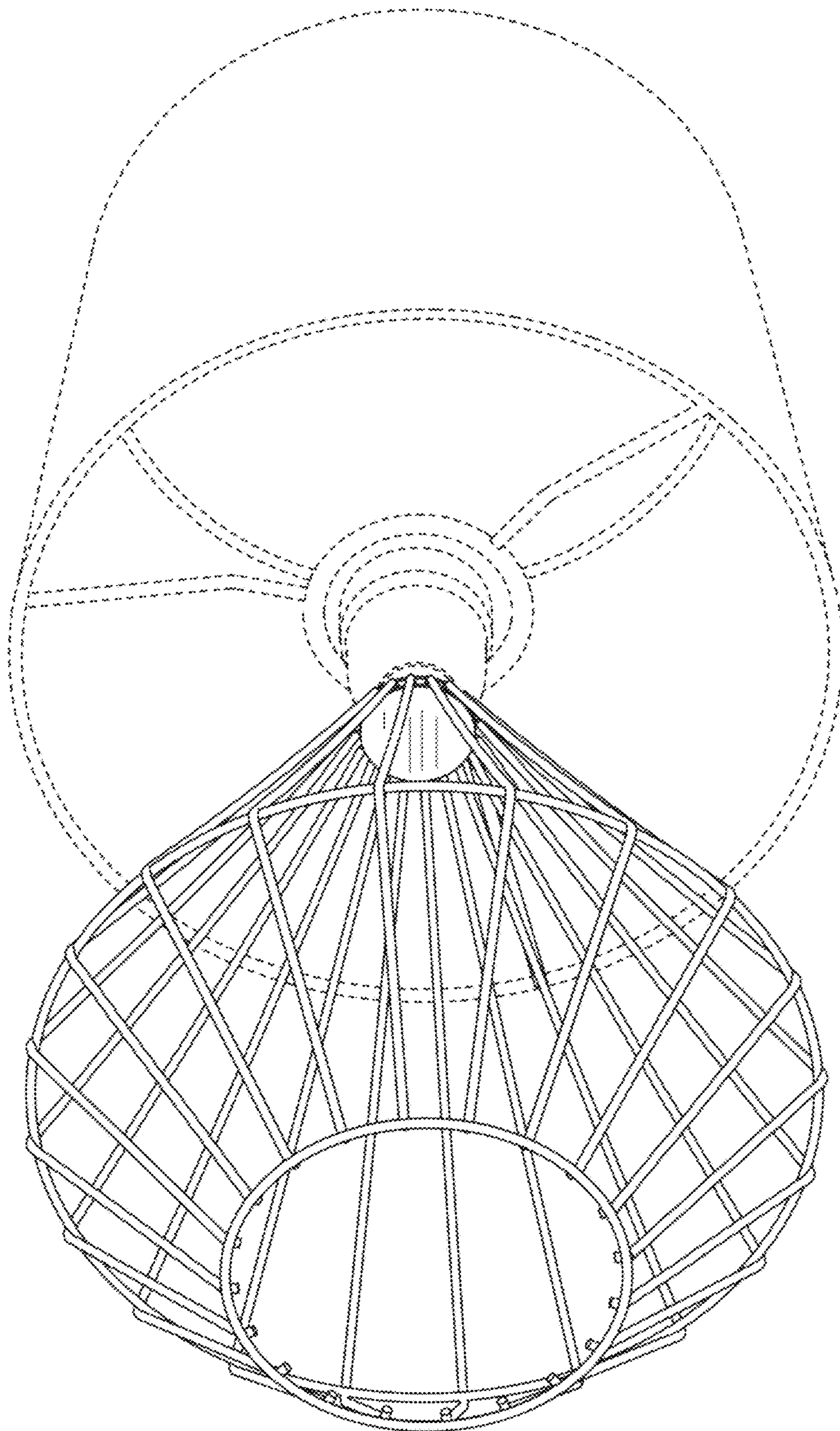


FIG10