



US00D970794S

(12) **United States Design Patent** (10) **Patent No.:** **US D970,794 S**
Tan (45) **Date of Patent:** **** Nov. 22, 2022**

(54) **PROJECTION LAMP**

FOREIGN PATENT DOCUMENTS

(71) Applicant: **Jinyu Tan**, Hunan (CN)

CN 212325596 U * 1/2021

(72) Inventor: **Jinyu Tan**, Hunan (CN)

CN 215722694 U * 2/2022

(**) Term: **15 Years**

CN 307196496 * 3/2022

CN 307425266 * 6/2022

(21) Appl. No.: **29/823,843**

OTHER PUBLICATIONS

(22) Filed: **Jan. 20, 2022**

Resin Astronaut Ornament, first available Dec. 12, 2019, retrieved Aug. 1, 2022 from URL: <https://www.youtube.com/watch?v=eddeEPKXYGY> (Year: 2019).*

(51) **LOC (13) Cl.** **26-05**

(Continued)

(52) **U.S. Cl.**

USPC **D26/99**; D21/637

(58) **Field of Classification Search**

USPC D16/221, 232; D21/576, 585, 594;
D26/25, 26, 32, 40, 47, 57, 67, 70, 73,
D26/94, 96-99, 118, 125-126, 146, 147,
D26/156

Primary Examiner — Richard Kearney

Assistant Examiner — Christina M. Dodson

CPC ... F21V 3/02; F21S 8/035; F21S 10/00; F21S
10/02; F21S 10/023; F21S 10/026; F21S
10/06; F21S 10/063; F21S 10/066; G03B
21/145

(57) **CLAIM**

The ornamental design for a projection lamp, as shown and described.

See application file for complete search history.

DESCRIPTION

(56) **References Cited**

U.S. PATENT DOCUMENTS

D257,590 S	*	12/1980	Jackson	D21/637
D315,749 S	*	3/1991	Visco	D21/637
D316,134 S	*	4/1991	Gianacakos	D21/637
D476,159 S	*	6/2003	Blaustein	D4/107
D518,531 S	*	4/2006	Vigliano	D21/637
D640,409 S		6/2011	Lin		
D838,890 S		1/2019	Xiong		
D846,784 S		4/2019	Luo		
D889,730 S		7/2020	Lin		
D891,682 S		7/2020	Wei		
D914,957 S		3/2021	Zeng		
D922,665 S		6/2021	Feng		
D923,237 S		6/2021	Tan		

FIG. 1 is a front perspective view of the projection lamp showing my new design.

FIG. 2 is a front view of the projection lamp.

FIG. 3 is a rear view of the projection lamp.

FIG. 4 is a left side view of the projection lamp.

FIG. 5 is a right side view of the projection lamp.

FIG. 6 is a top view of the projection lamp.

FIG. 7 is a bottom view of the projection lamp.

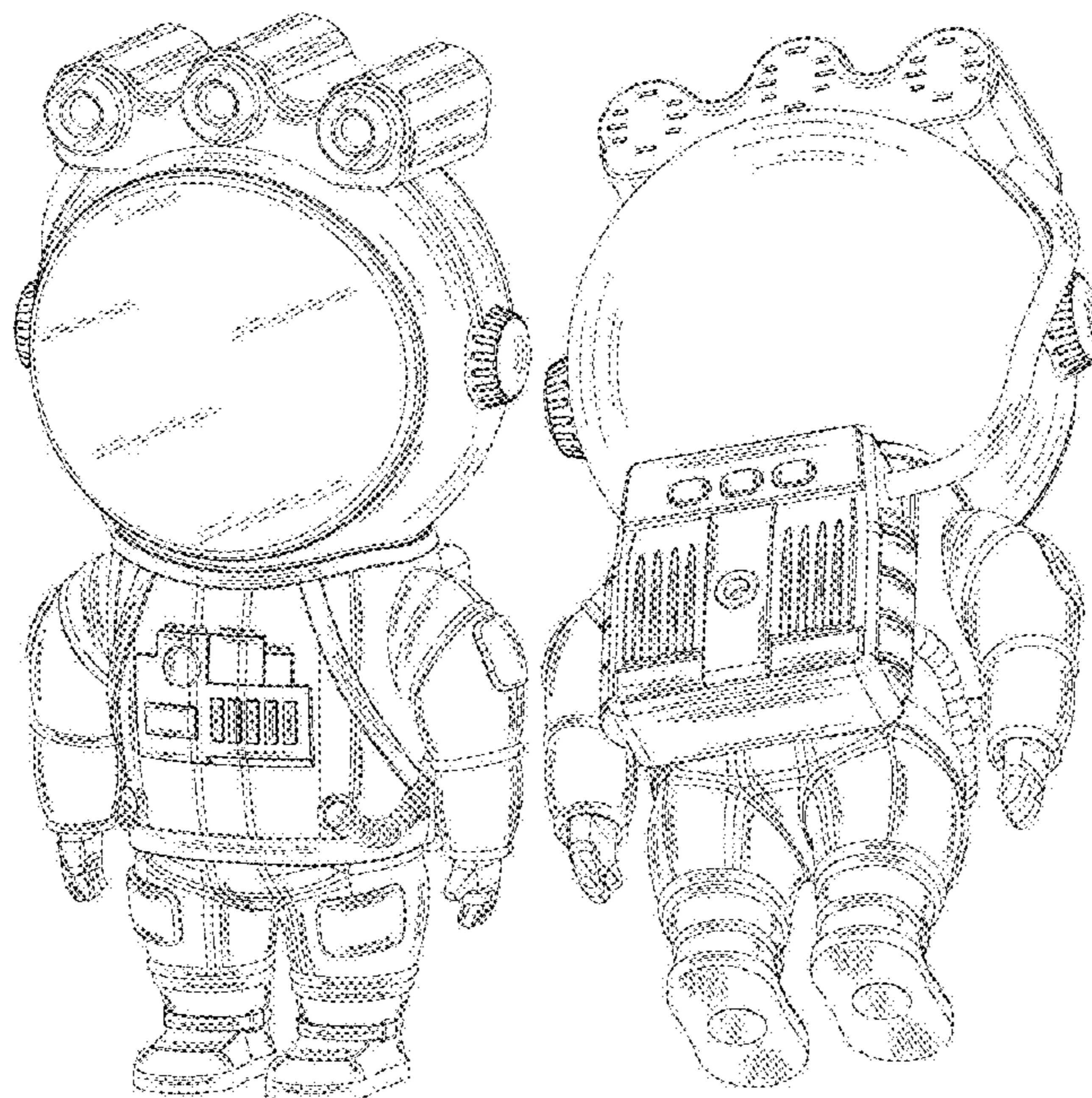
FIG. 8 is a rear perspective view of the projection lamp.

FIG. 9 is an enlarged view of the FIG. 2; and,

FIG. 10 is an enlarged view of the FIG. 4.

Any shading and cross-hatching are not features of the design but are utilized to illustrate the surface contours of the projection lamp design in the drawings.

1 Claim, 10 Drawing Sheets



(56)

References Cited

OTHER PUBLICATIONS

Clesea Kids Star Projector Night Light with Timer, first available Aug. 13, 2021, retrieved on Aug. 1, 2022 from URL: https://www.amazon.com/Projector-Control-360%C2%B0Adjustable-Astronaut-Children/dp/B09CKZPJFV/ref=sr_1_1?keywords=chelsea&qid=1659356658&sr=8-1 (Year: 2021).*

Galaxy Projector Night Light, first available Feb. 17, 2022, retrieved Aug. 1, 2022 from URL: https://www.amazon.com/Projector-Control-Astronaut-Bedroom-Christmas/dp/B09SQ4VNQF/ref=sr_1_57?crid=24DWF6F72KI7J&keywords=astronaut+projector&qid=1659367528&sprefix=astronaut+projector%2Caps%2C212&sr=8-57 (Year: 2022).*

* cited by examiner

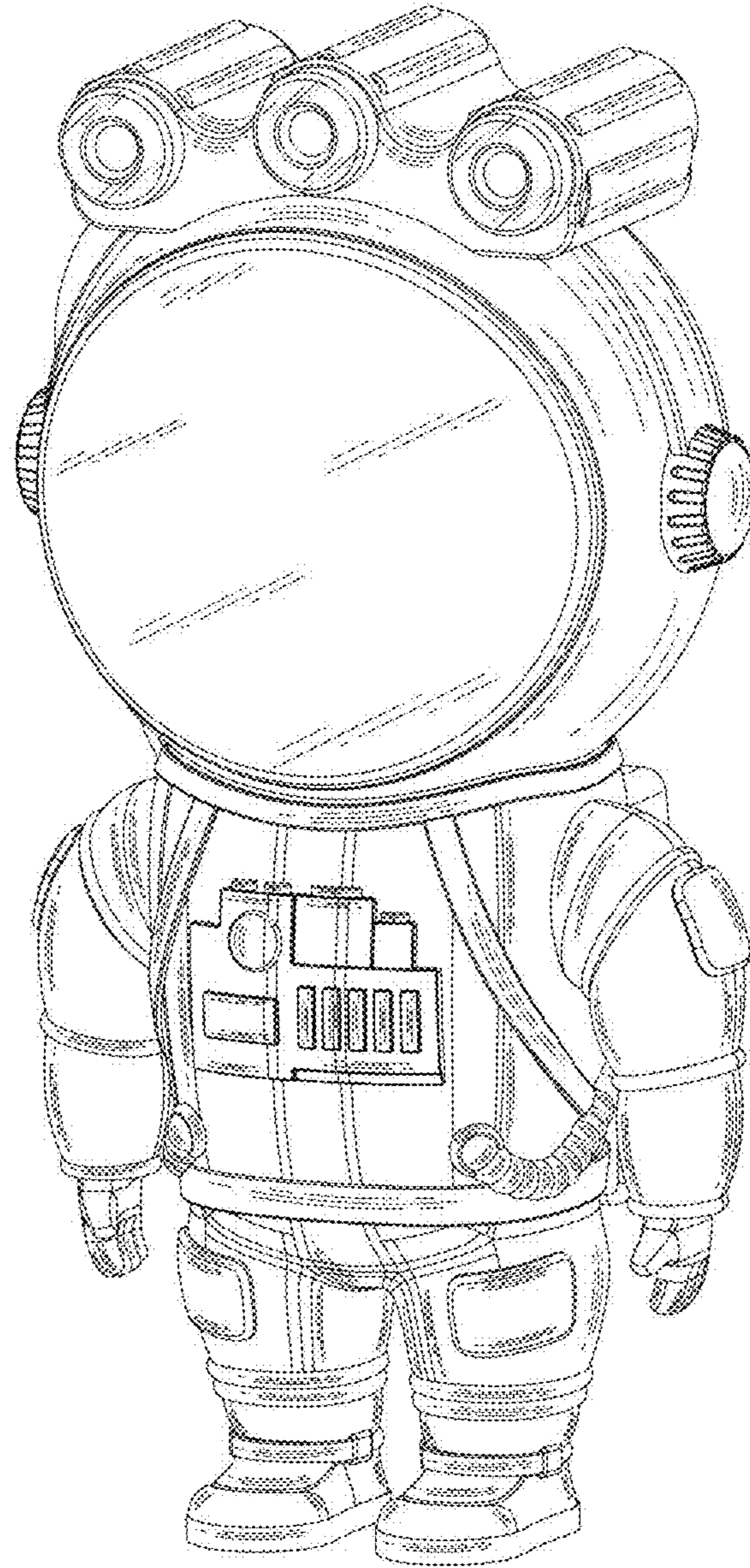


FIG.1

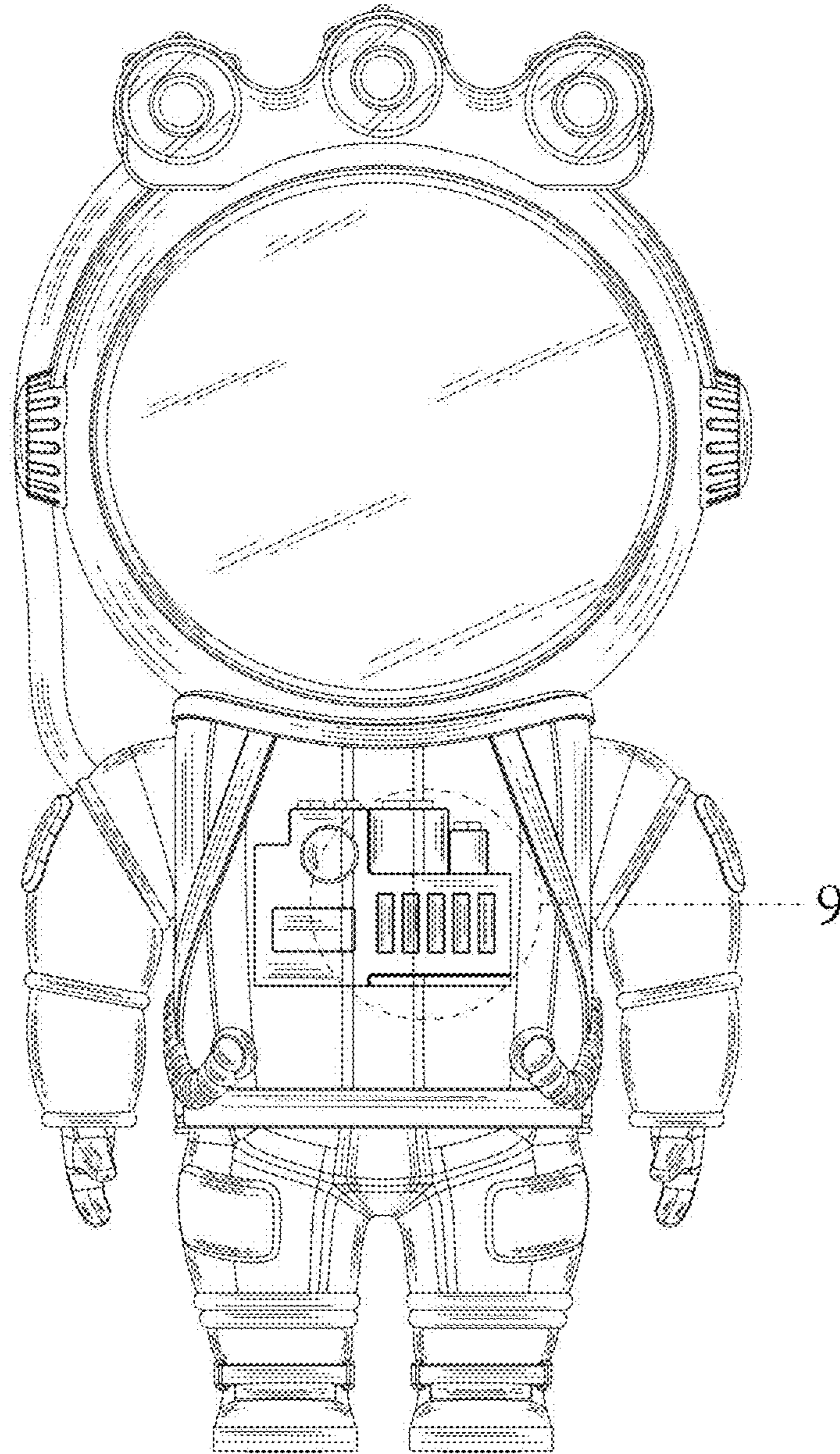


FIG.2

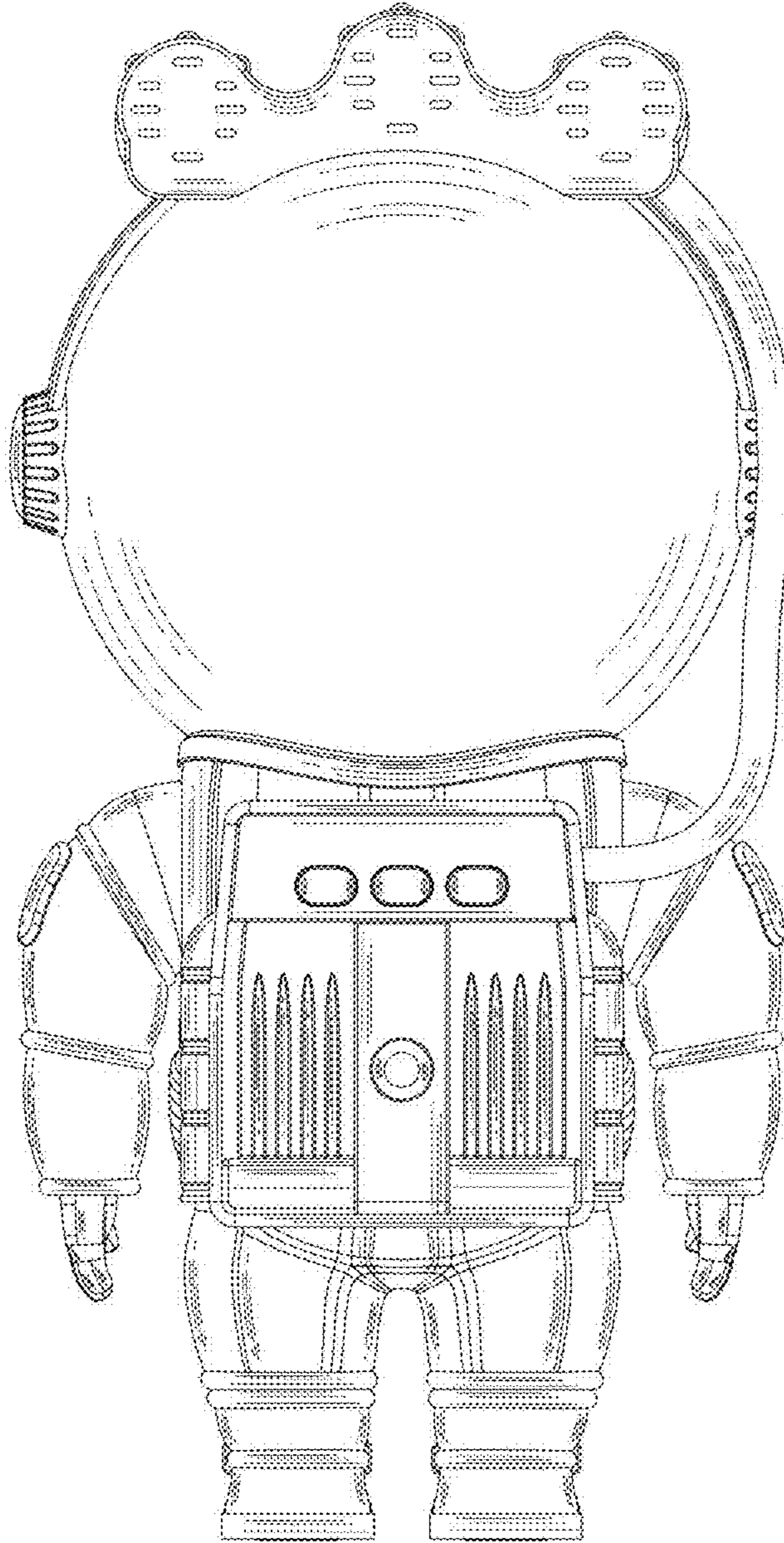


FIG.3

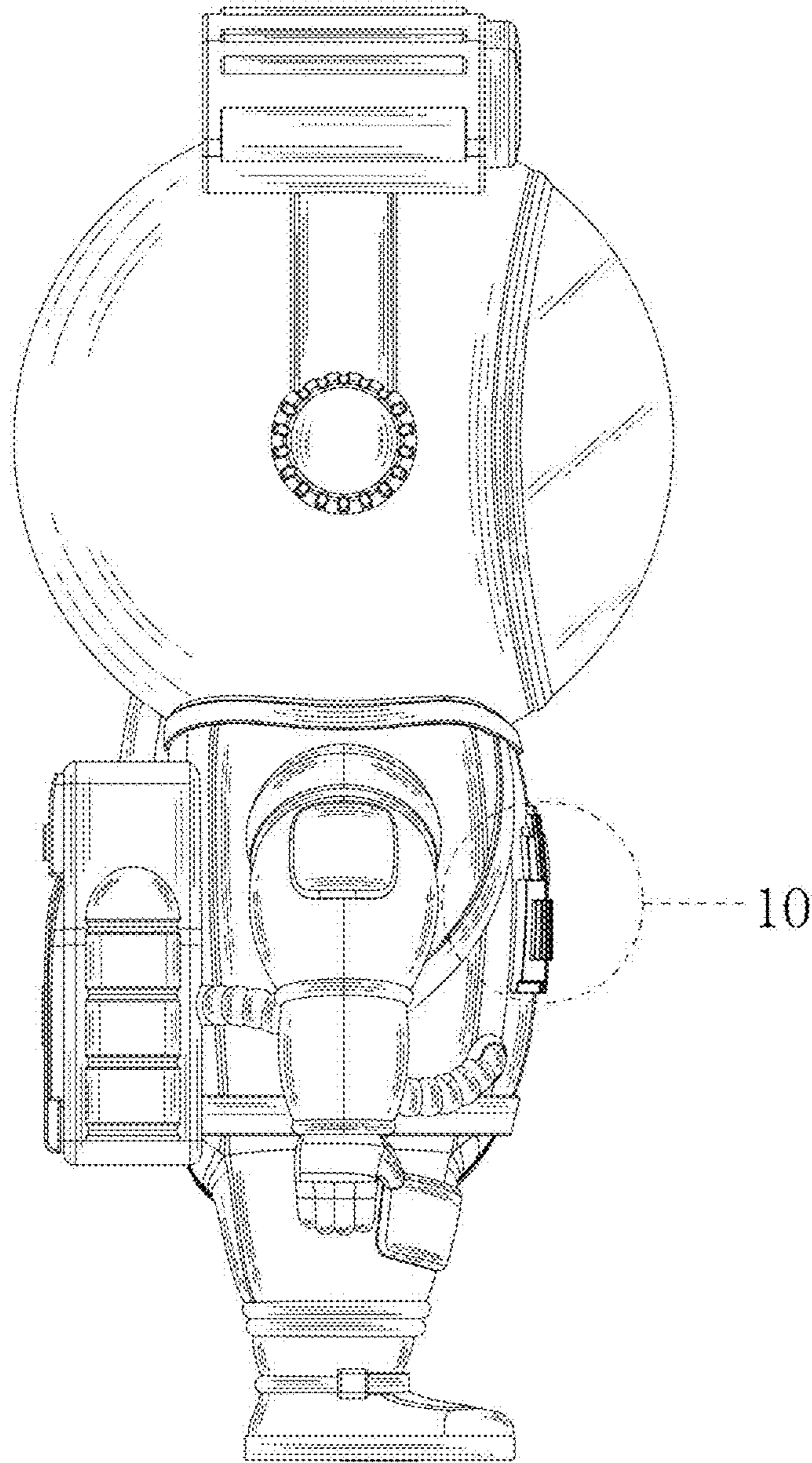


FIG.4

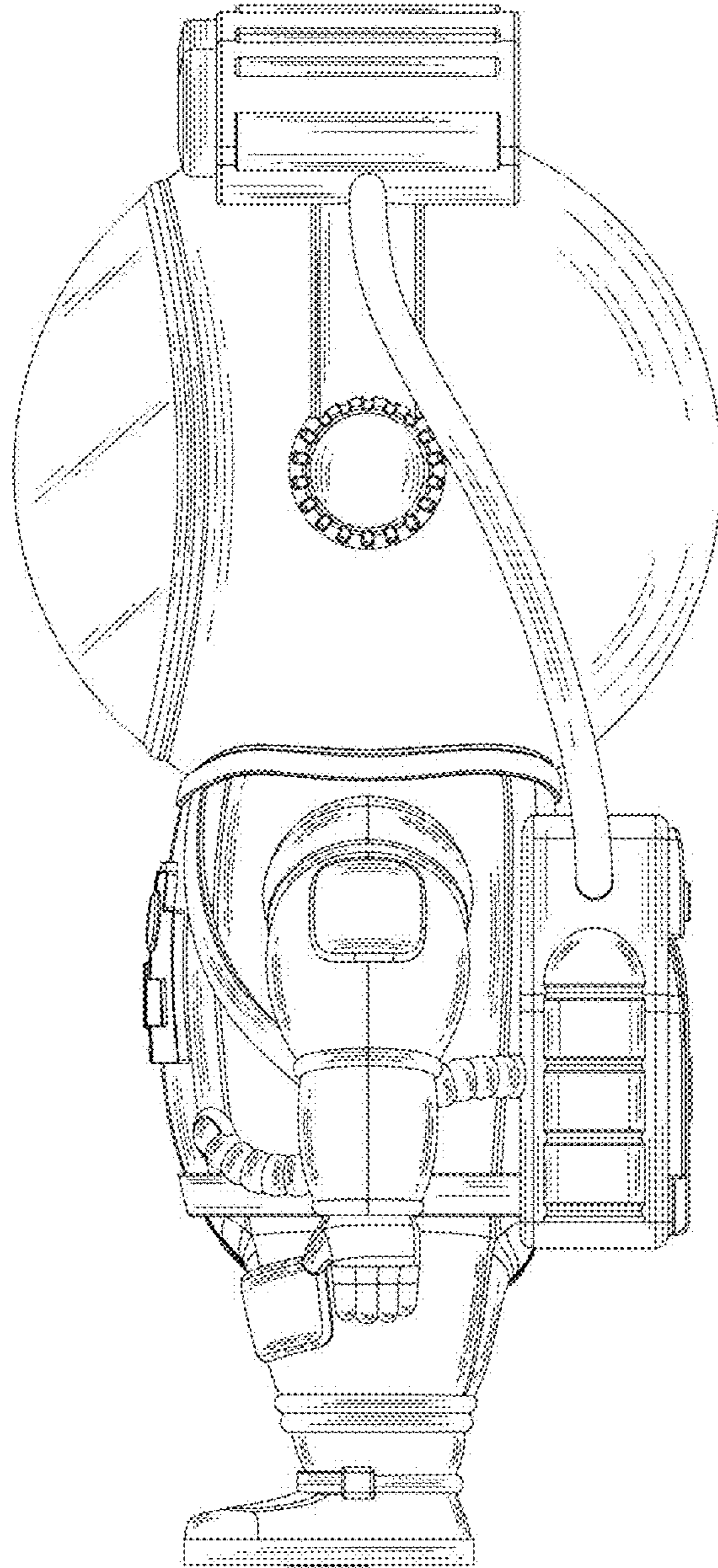


FIG.5

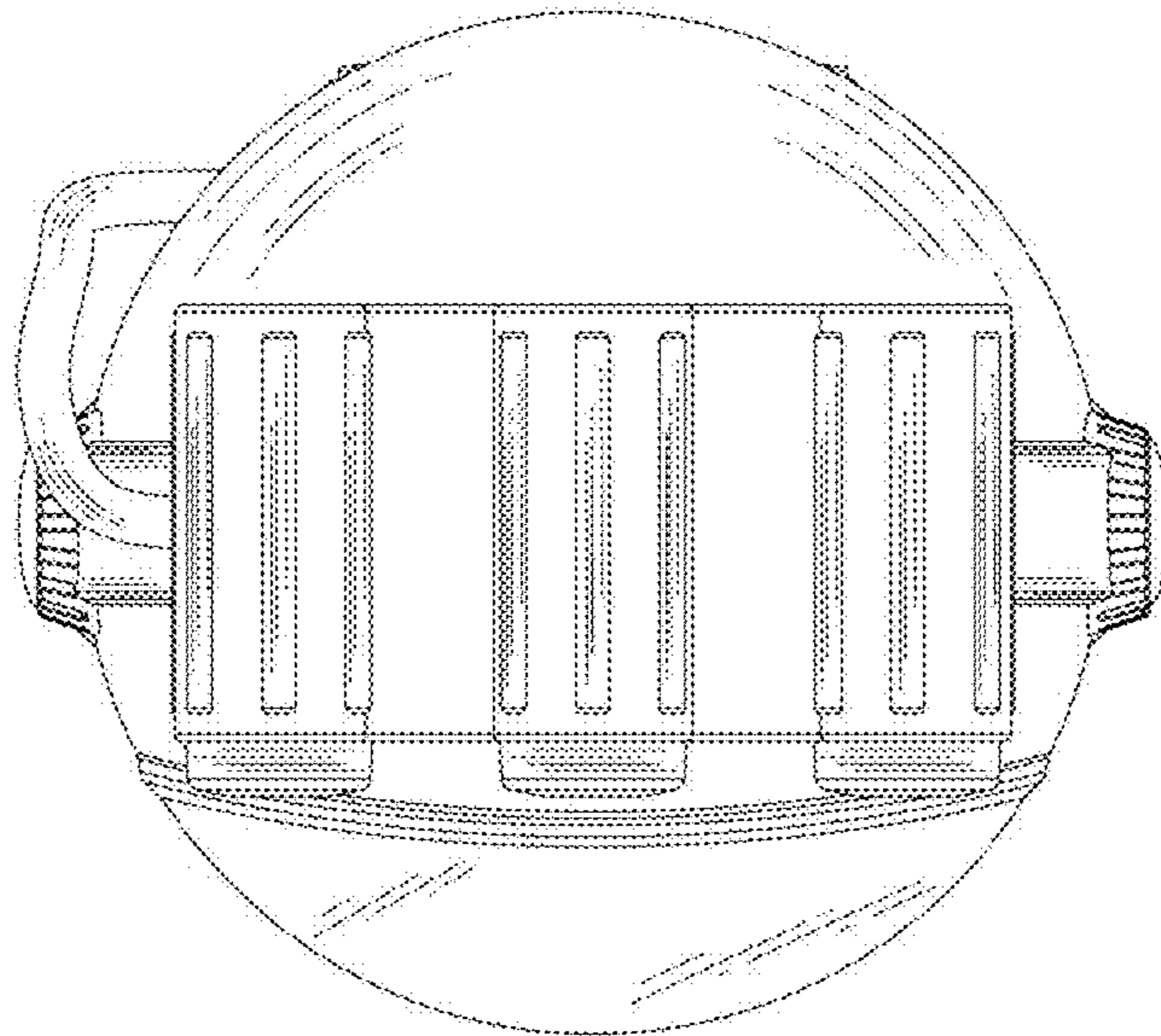


FIG.6

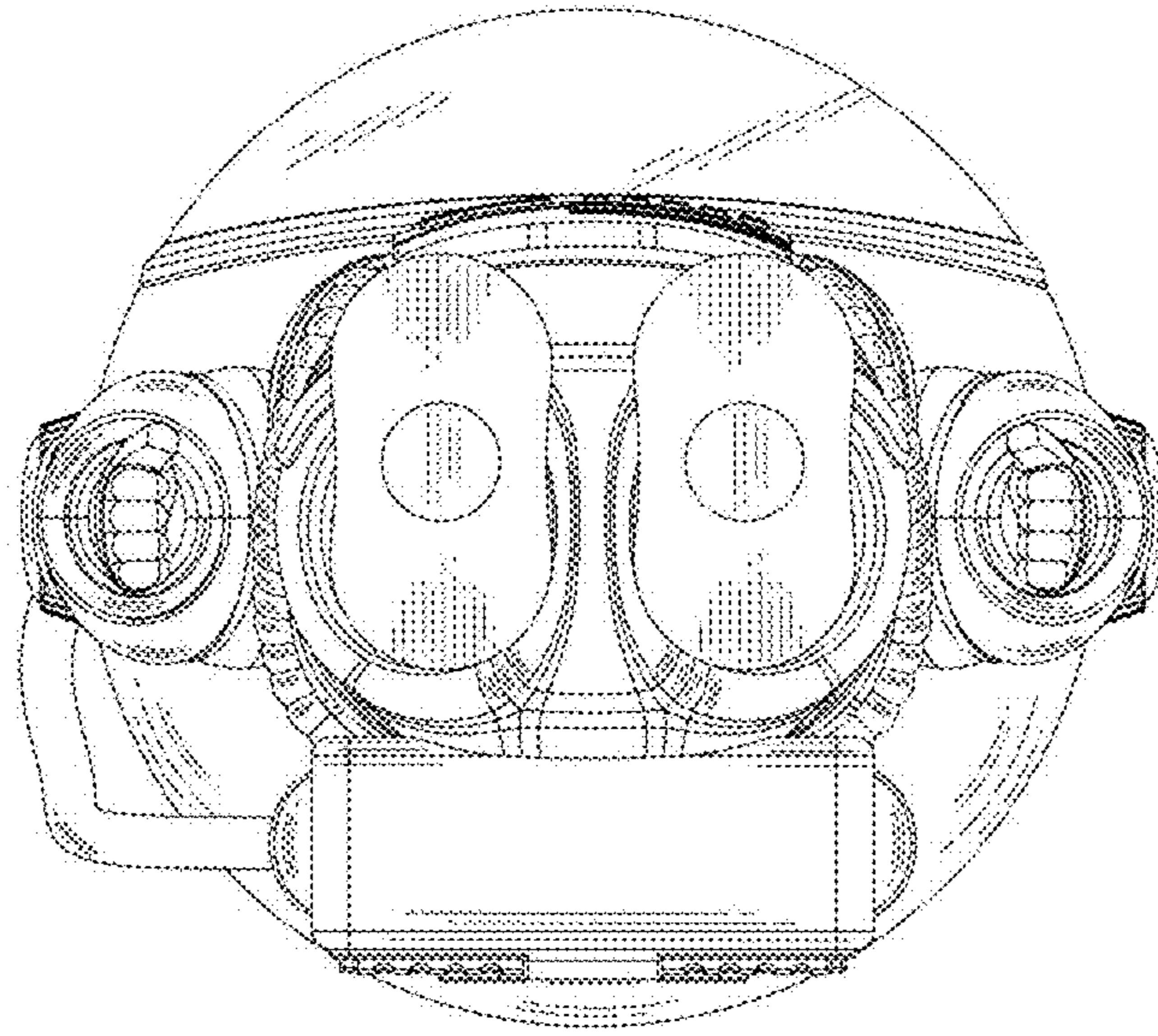


FIG. 7

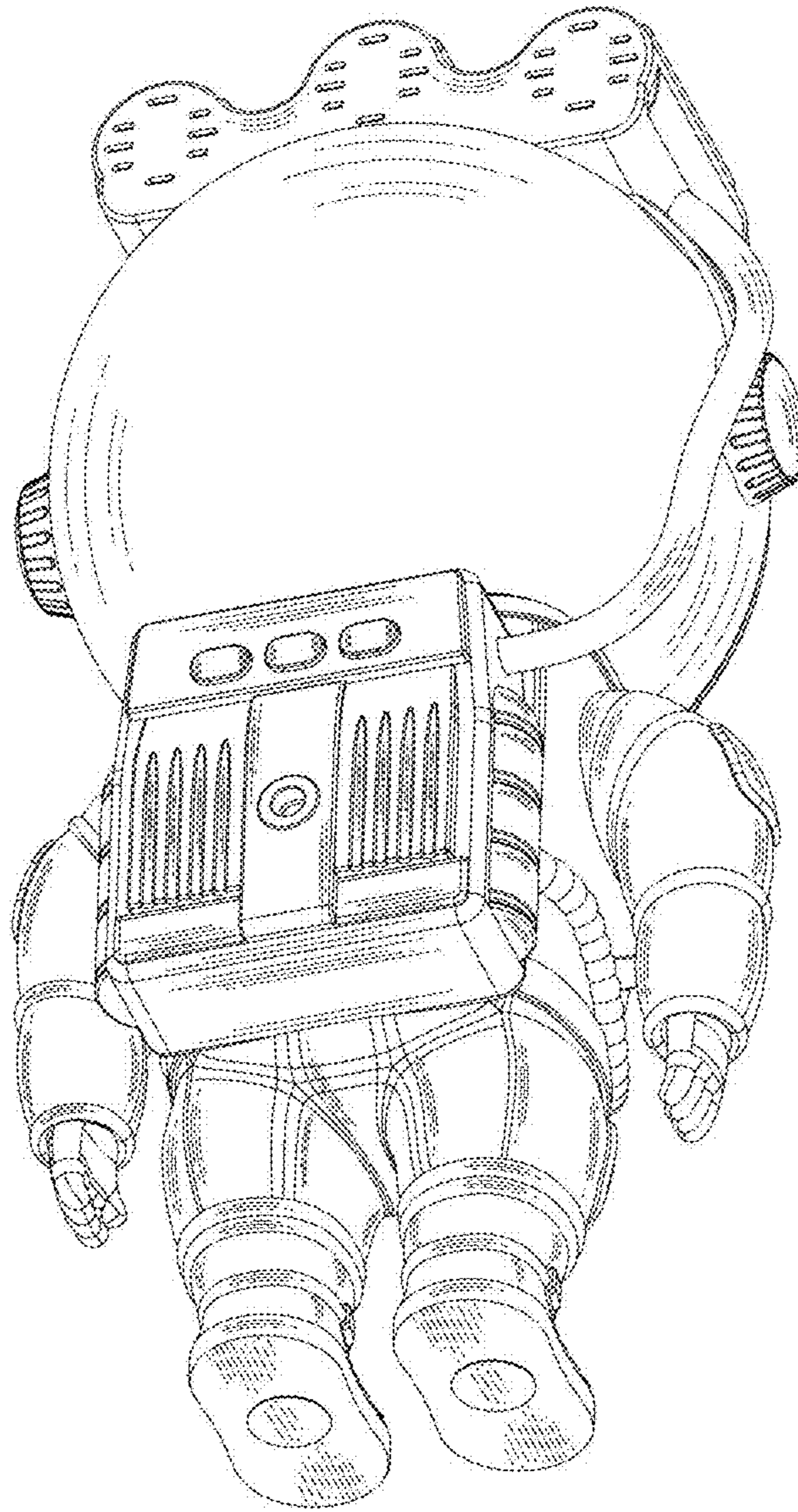


FIG. 8

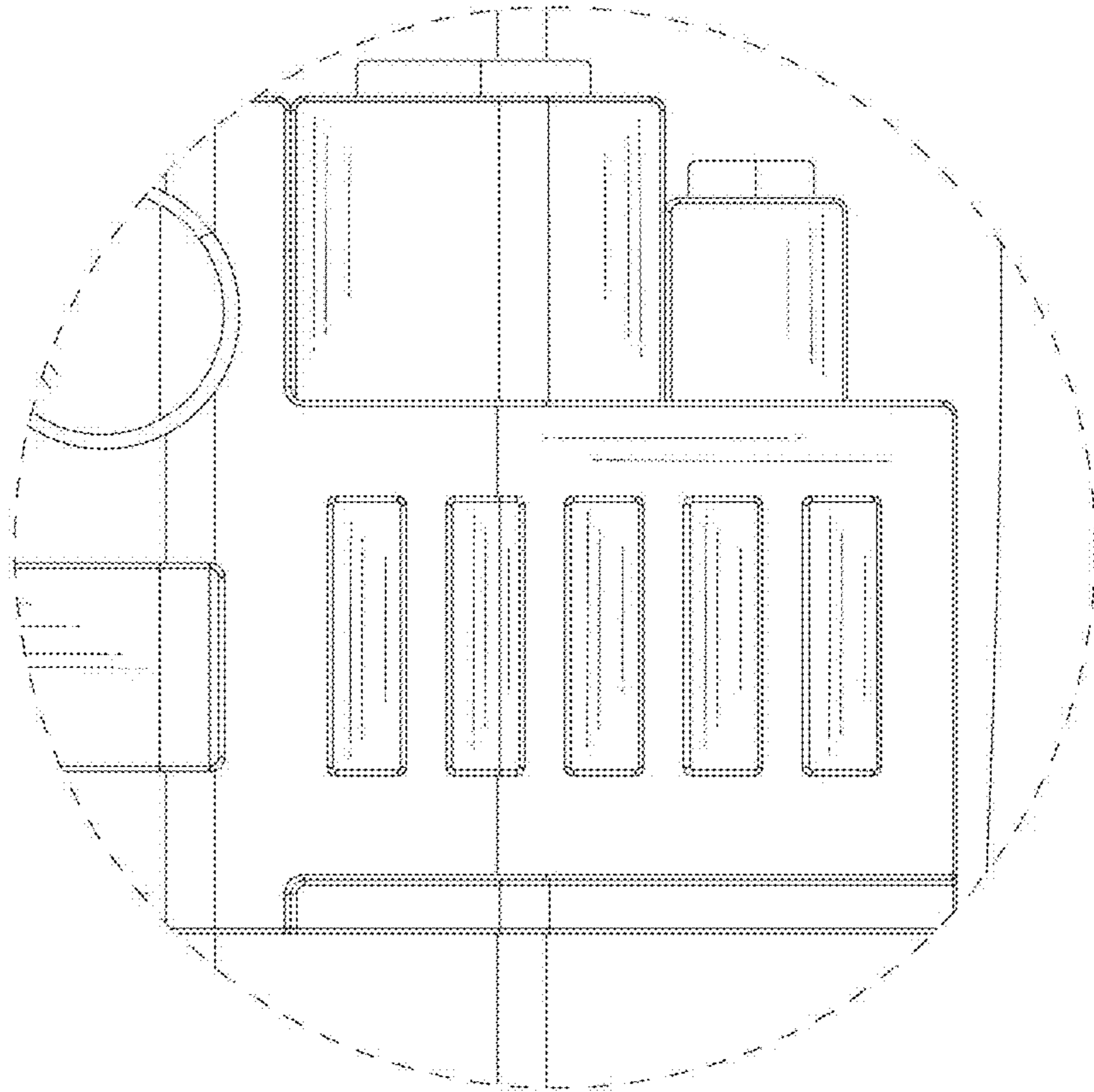


FIG. 9

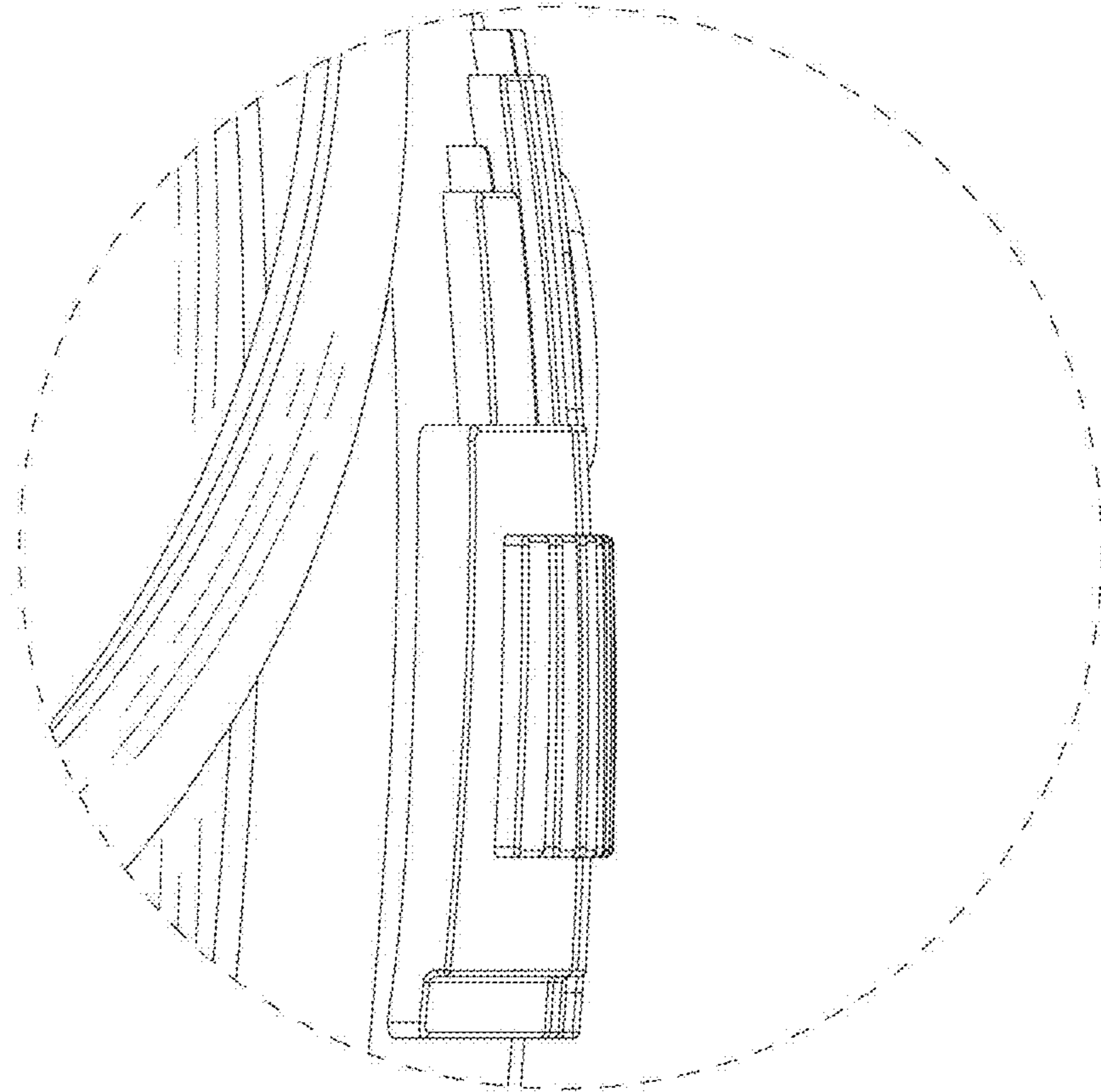


FIG. 10