



US00D970791S

(12) **United States Design Patent** (10) **Patent No.:** **US D970,791 S**
Cui (45) **Date of Patent:** **** Nov. 22, 2022**

(54) **TABLE LIGHT**

(71) Applicant: **Chang Lin Cui**, Linkou County (CN)

(72) Inventor: **Chang Lin Cui**, Linkou County (CN)

(73) Assignee: **Chang Lin Cui**, Linkou (CN)

(**) Term: **15 Years**

(21) Appl. No.: **29/806,619**

(22) Filed: **Sep. 3, 2021**

(51) **LOC (13) Cl.** **26-05**

(52) **U.S. Cl.**
USPC **D26/93**

(58) **Field of Classification Search**
USPC D26/24, 93, 104, 106, 107, 108, 110,
D26/112, 113, 118, 138
CPC F21S 6/00; F21S 6/002; F21S 6/003; F21S
6/004; F21S 6/005; F21S 6/006; F21S
6/007; F21S 6/008; F21V 1/00; F21V
1/02; F21V 1/14; F21V 3/00
See application file for complete search history.

(56) **References Cited**

U.S. PATENT DOCUMENTS

1,473,380	A	*	11/1923	Peterson	F21V 17/12 362/351
D385,058	S	*	10/1997	Yang	D26/111
D429,840	S	*	8/2000	Hsieh	D26/106
D434,173	S	*	11/2000	Rochon	D26/108
D452,747	S		1/2002	Yu		
D484,271	S		12/2003	Chandler		
D510,776	S	*	10/2005	Quentin	D26/111
D536,474	S		2/2007	Chandler		
D575,897	S	*	8/2008	Dordoni	D26/112
D577,457	S		9/2008	Chandler		
D577,859	S	*	9/2008	Chandler	D26/142
D579,603	S	*	10/2008	Dordoni	D26/112
D609,392	S	*	2/2010	Salatto-Rose	D26/106
D640,824	S	*	6/2011	Wang	D26/107

D642,321	S	*	7/2011	Eusterbrock	D26/93
D642,322	S	*	7/2011	Eusterbrock	D26/93
D642,323	S	*	7/2011	Eusterbrock	D26/93
D646,838	S	*	10/2011	Verelst	D26/93
D745,992	S	*	12/2015	Chen	D26/106
D748,844	S	*	2/2016	Kern	D26/106
D749,771	S	*	2/2016	Kern	D26/106
D749,772	S	*	2/2016	Kern	D26/106
D767,813	S	*	9/2016	Lucchi	D26/110
D774,240	S	*	12/2016	Velez	D26/106
D819,874	S	*	6/2018	Lee	D26/111

(Continued)

OTHER PUBLICATIONS

Possini Euro Design Modern Contemporary Table Lamp, Apr. 7, 2010, Amazon.com, site visited Jul. 21, 2022, url: <https://www.amazon.com/dp/B002NTWKZY?th=1> (Year: 2010).*

(Continued)

Primary Examiner — T Chase Nelson

Assistant Examiner — Rachel Wolfe

(74) *Attorney, Agent, or Firm* — Nitin Kaushik

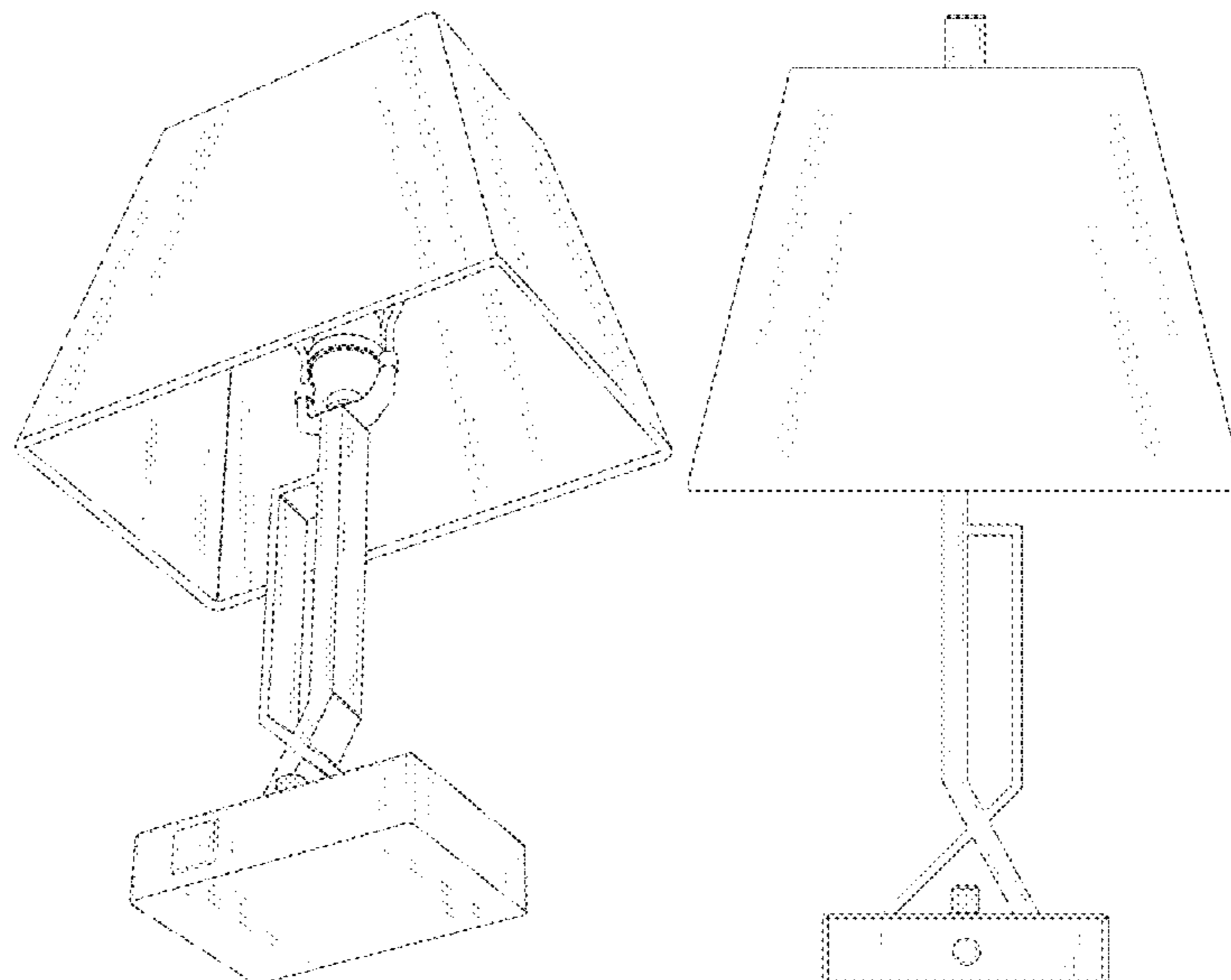
(57) **CLAIM**

The ornamental design for a table light, as shown and described.

DESCRIPTION

FIG. 1 is a top, front, right perspective view of a table light showing my new design;
FIG. 2 is a bottom, front, right perspective view thereof;
FIG. 3 is a front elevational view thereof;
FIG. 4 is a back elevational view thereof;
FIG. 5 is a right elevational view thereof;
FIG. 6 is a left elevational view thereof;
FIG. 7 is an enlarged top plan view thereof; and,
FIG. 8 is an enlarged bottom plan view thereof.
The broken lines in the drawings depict portions of the table light that form no part of the claimed design.

1 Claim, 8 Drawing Sheets



(56)

References Cited

U.S. PATENT DOCUMENTS

D847,413 S * 4/2019 Tsai D26/111
D903,930 S 12/2020 Chen
D925,098 S * 7/2021 Luo D26/93
D952,223 S * 5/2022 Chen F21V 17/12
D26/93
2019/0049082 A1* 2/2019 Ho F21S 10/002

OTHER PUBLICATIONS

Searchlight Table Lamp X Shape Base, Dec. 22, 2015, Amazon.co.uk, site visited Jul. 21, 2022, url: <https://www.amazon.co.uk/dp/B019PB6NIC> (Year: 2015).*

Signature Design by Ashley Edsel Modern Metal Table Lamp, Sep. 3, 2019, Amazon.com, site visited Jul. 21, 2022, url: <https://www.amazon.com/dp/B07XF16TLW?th=1> (Year: 2019).*

* cited by examiner

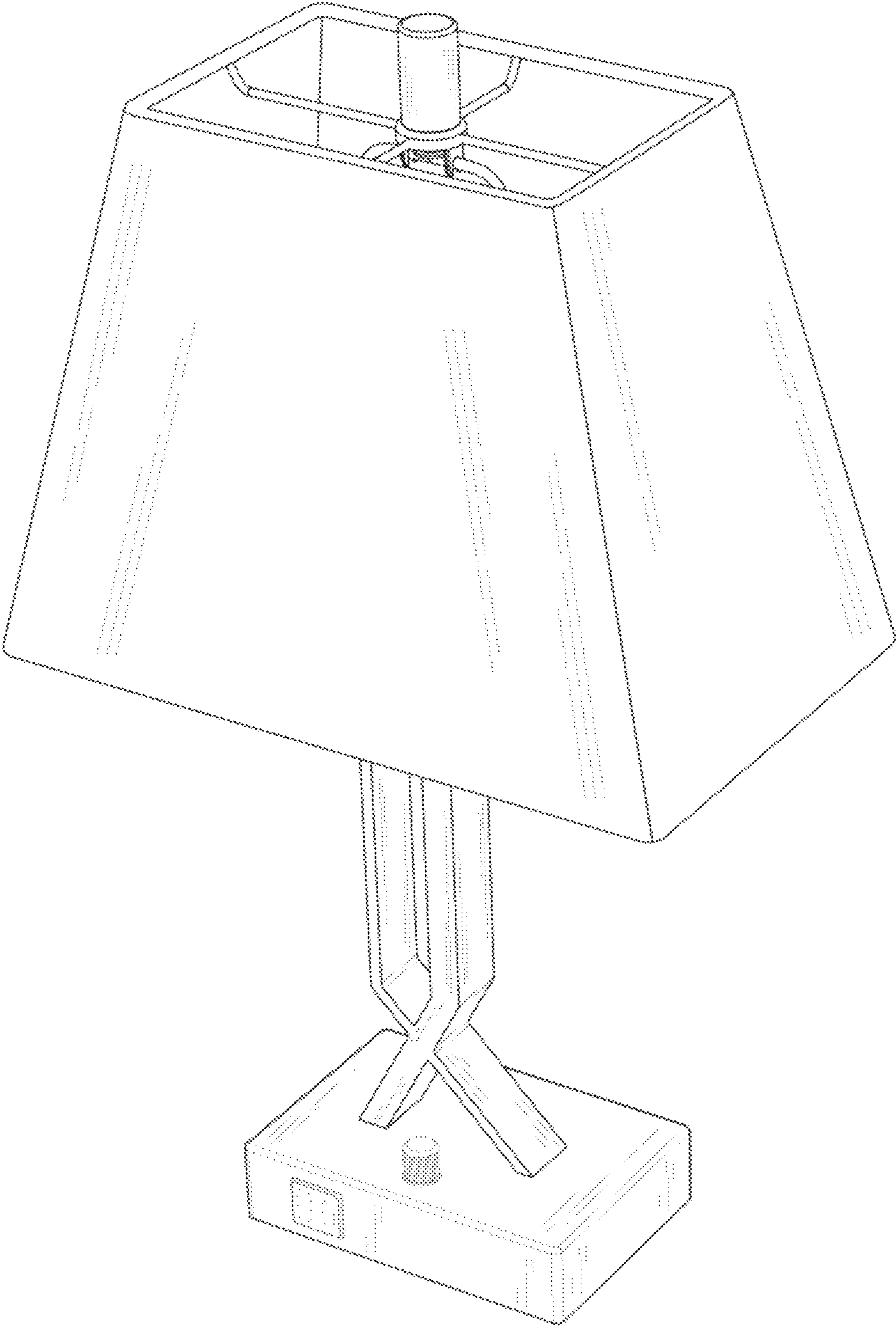


FIG 1

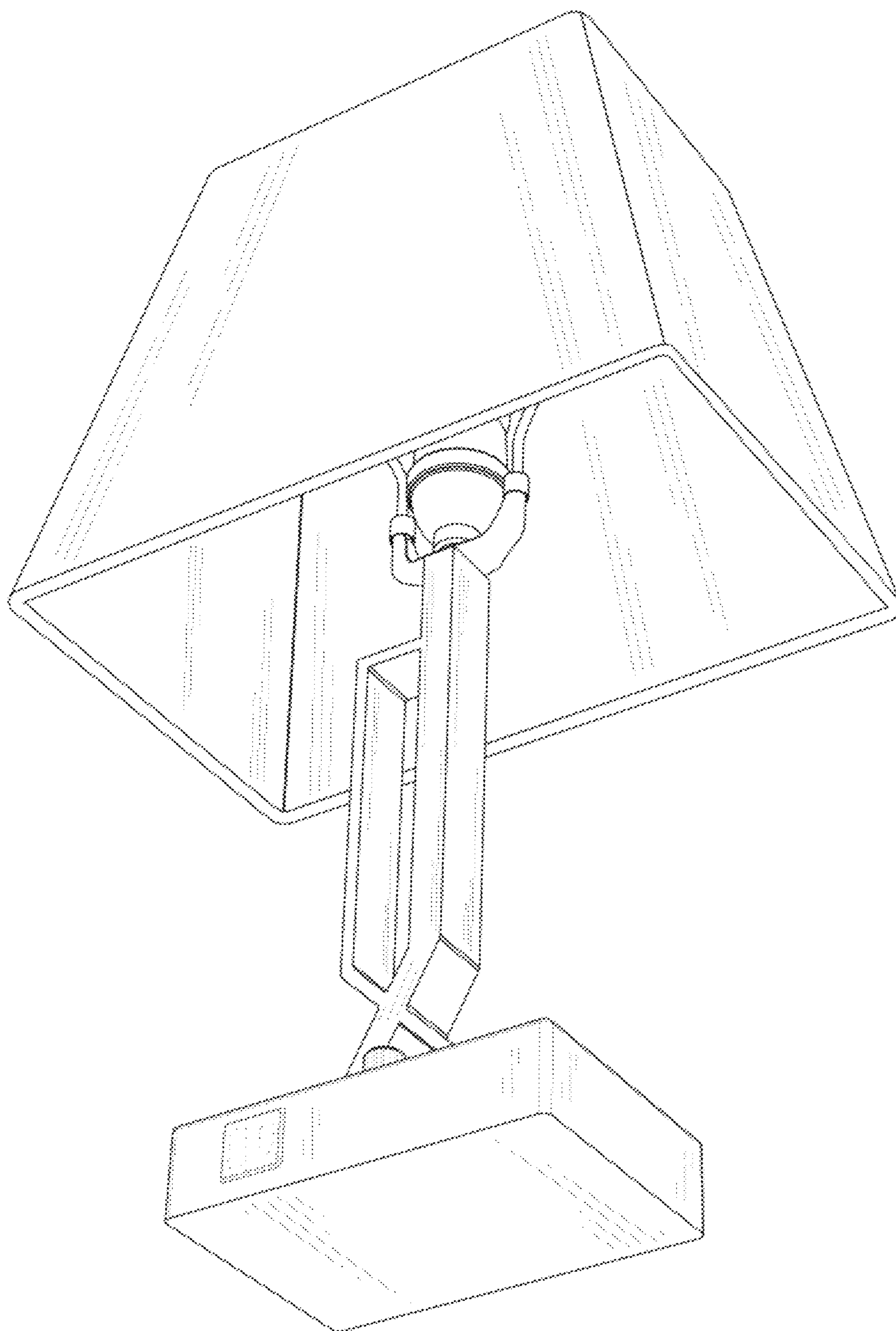


FIG 2

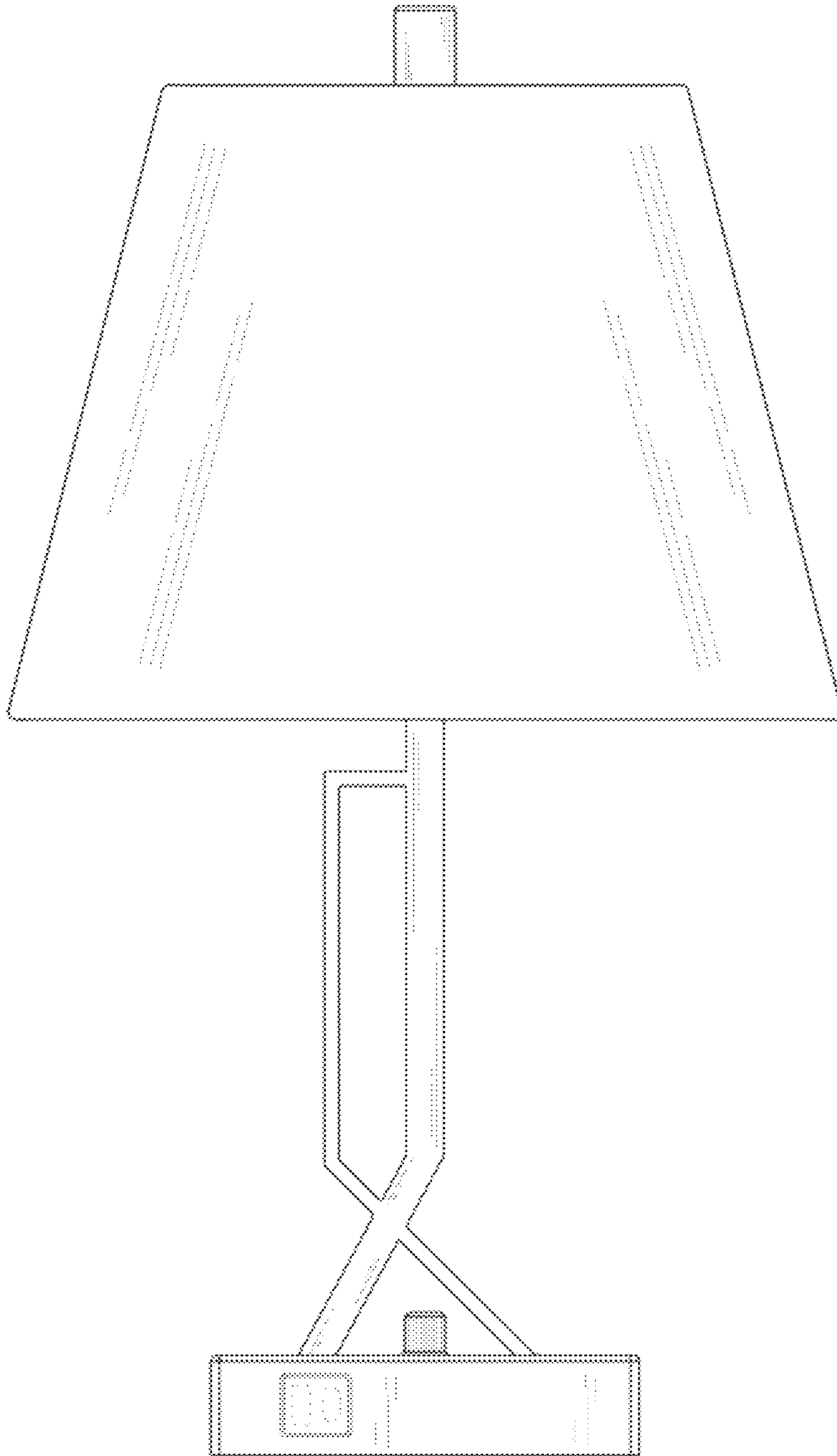


FIG 3

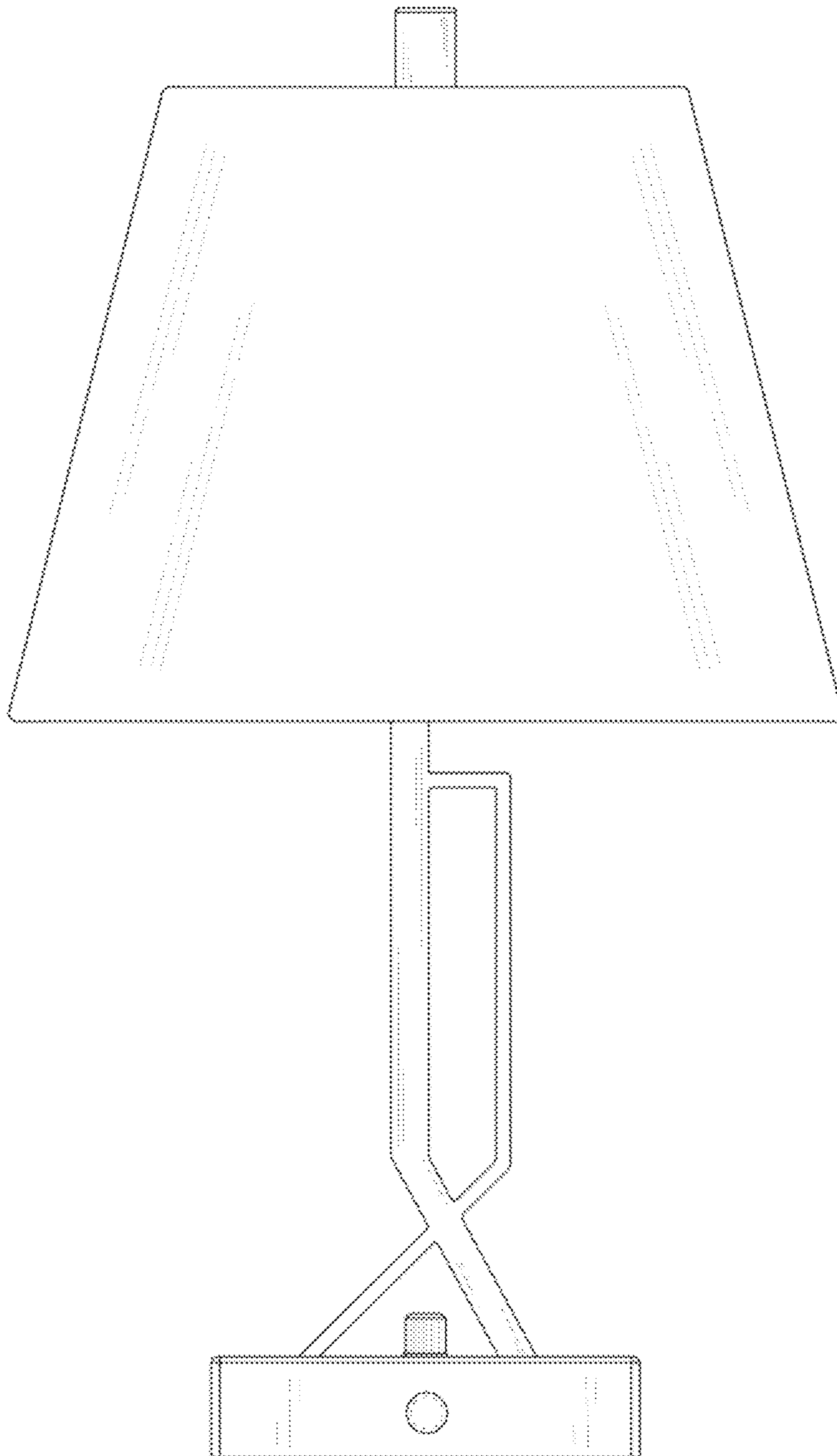


FIG 4

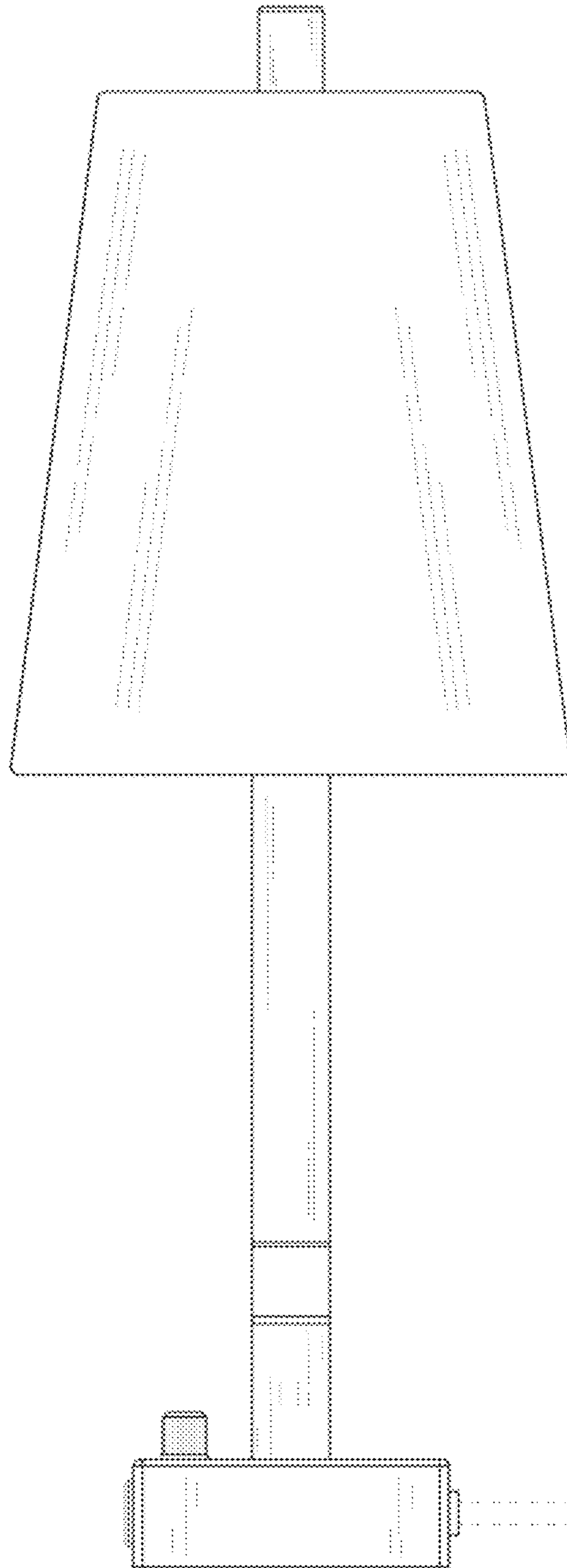


FIG 5

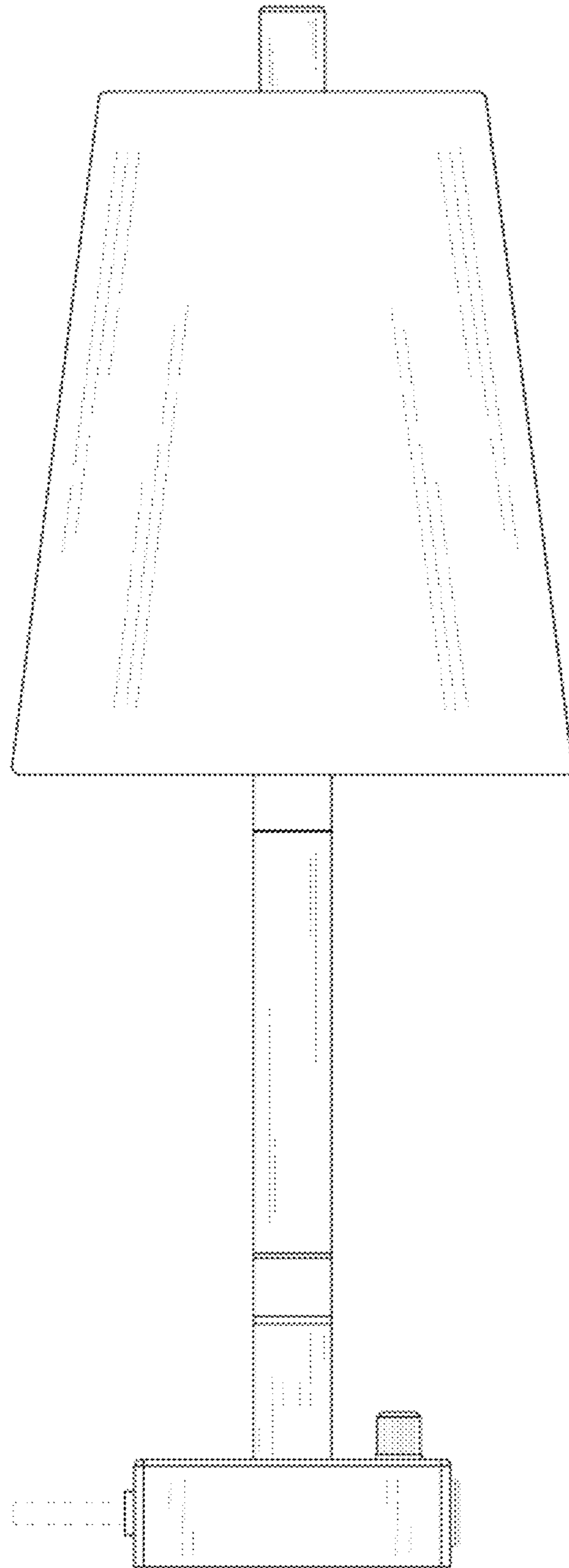


FIG 6

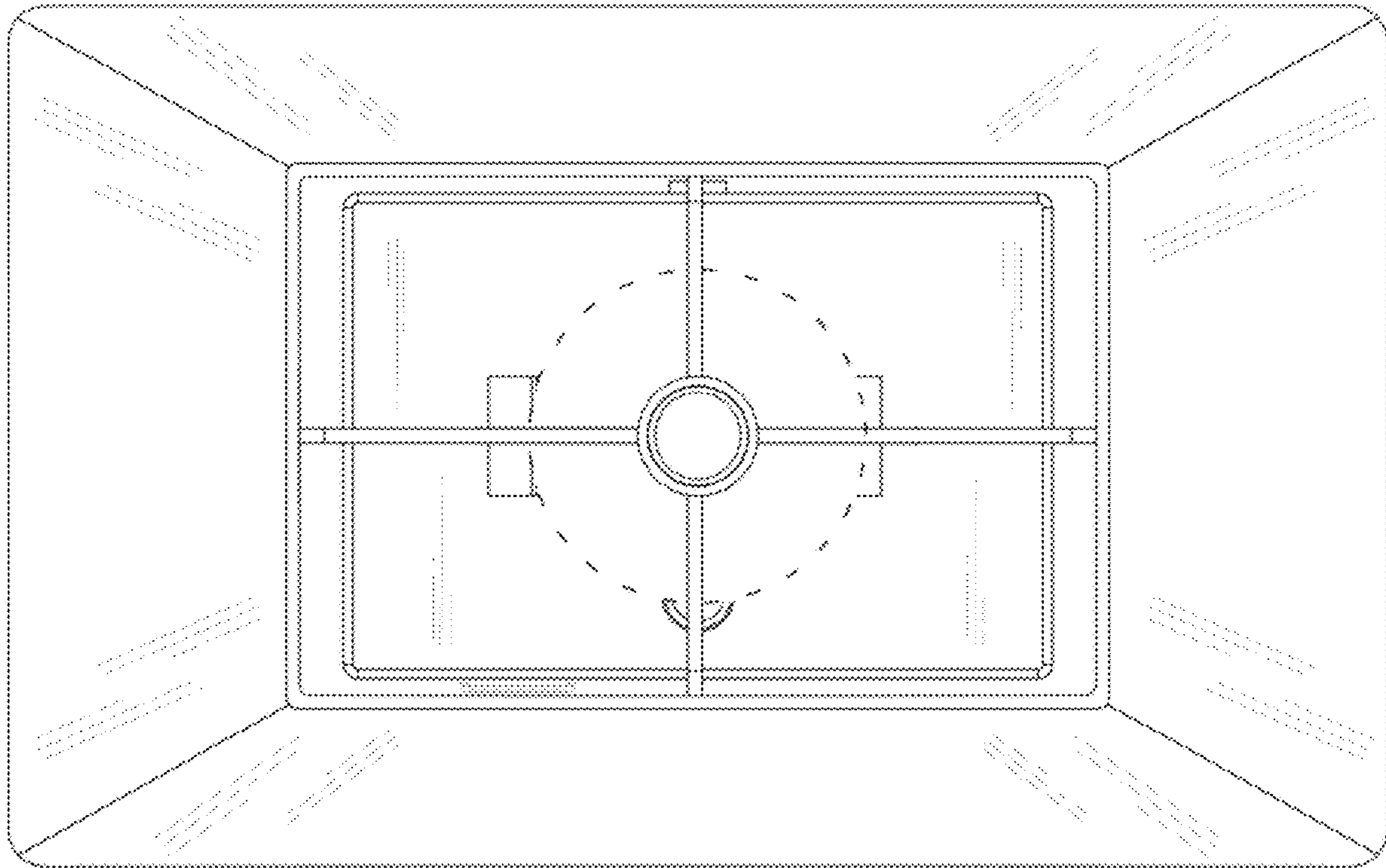


FIG 7

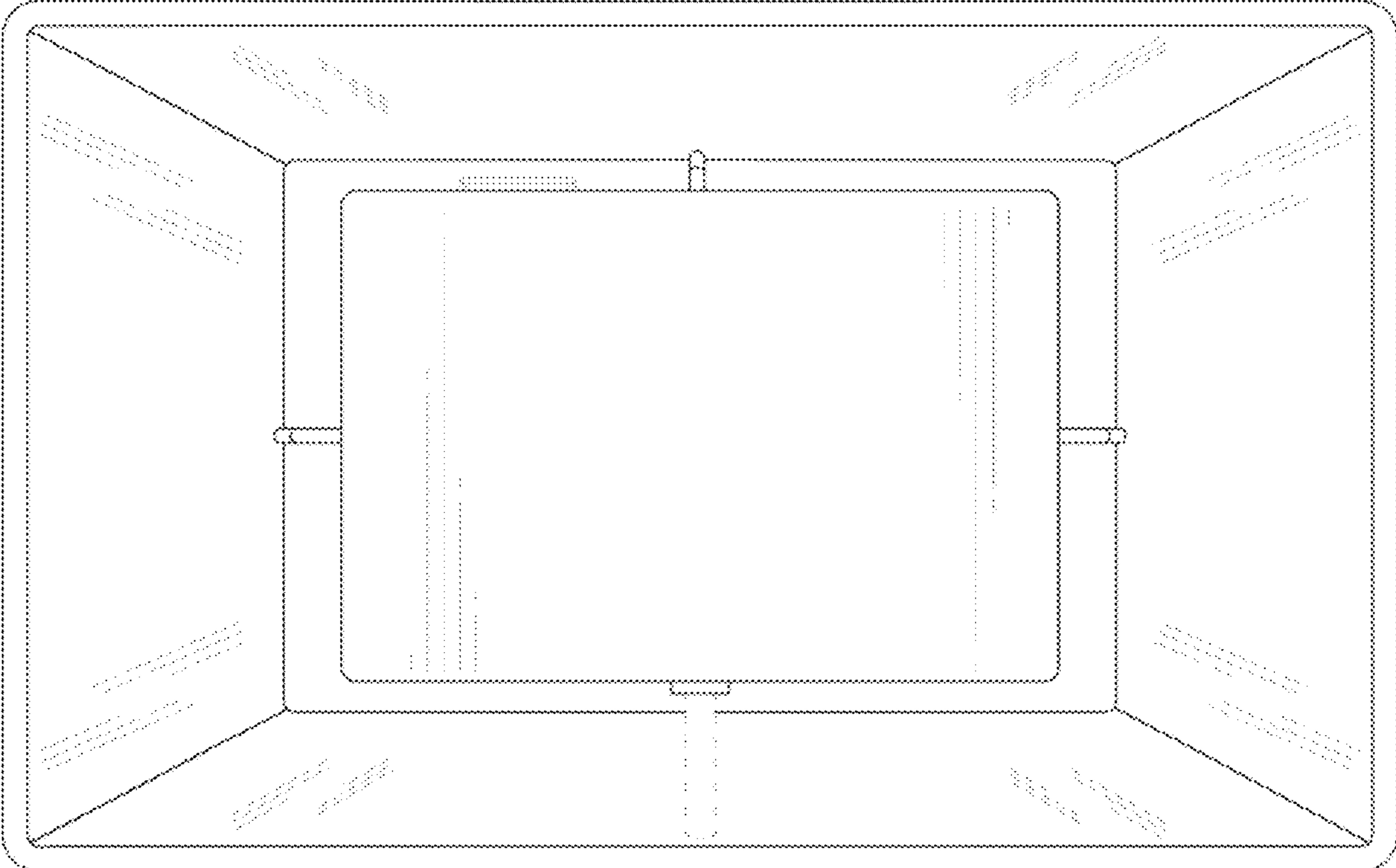


FIG8