



US00D970788S

(12) **United States Design Patent** (10) **Patent No.:** **US D970,788 S**
Richardson et al. (45) **Date of Patent:** **** Nov. 22, 2022**

(54) **LIGHT**

(71) Applicant: **RBW STUDIO, LLC**, Brooklyn, NY (US)

(72) Inventors: **Theodore Richardson**, Brooklyn, NY (US); **Charles Brill**, Brooklyn, NY (US); **Alexander Williams**, Brooklyn, NY (US)

(73) Assignee: **RBW STUDIO, LLC**, Brooklyn, NY (US)

(**) Term: **15 Years**

(21) Appl. No.: **29/811,687**

(22) Filed: **Oct. 15, 2021**

Related U.S. Application Data

(63) Continuation of application No. 29/669,970, filed on Nov. 13, 2018, now Pat. No. Des. 935,085.

(51) **LOC (13) Cl.** **26-03**

(52) **U.S. Cl.**
USPC **D26/89**; D26/85

(58) **Field of Classification Search**
USPC D26/24, 72, 85, 87, 89, 92, 131, 135
CPC F21S 8/03; F21S 8/033; F21S 8/036; F21S 8/037; F21S 9/022; F21S 9/024; F21S 9/03; F21S 9/035; F21S 9/037; F21W 2131/107

See application file for complete search history.

(56) **References Cited**

U.S. PATENT DOCUMENTS

| | | | |
|-------------|--------|----------|---------|
| D38,578 S | 5/1907 | Morgan | |
| D41,682 S * | 8/1911 | Doyle | D26/89 |
| D50,208 S | 1/1917 | Peck | |
| D52,001 S * | 5/1918 | Adam | D26/135 |
| D56,074 S * | 8/1920 | Mathieu | D26/131 |
| D57,463 S * | 4/1921 | Harrison | D26/131 |

| | | | |
|--------------|---------|----------------------|---------|
| D69,872 S | 4/1926 | D'Olier, Jr. | |
| D89,273 S | 2/1933 | Blau | |
| D102,560 S | 12/1936 | Kopp | |
| D116,063 S * | 8/1939 | Stewart | D26/131 |
| D343,251 S * | 1/1994 | Fouke | D26/88 |
| D363,362 S | 10/1995 | Davis, Sr. | |
| D461,272 S | 8/2002 | Davis, Jr. | |
| D465,301 S | 11/2002 | Dolan | |
| D834,236 S * | 11/2018 | Amato | D26/89 |
| D843,045 S | 3/2019 | Vanslambrouck et al. | |
| D861,235 S * | 9/2019 | Holmes | D26/89 |

(Continued)

OTHER PUBLICATIONS

Maxim Vesper 1-Light Wall Sconce, Model No. 26033SWSBRBK. Available from maximlighting.com as early as Jun. 30, 2020. (Year: 2020).*

(Continued)

Primary Examiner — Clare E Heflin

(74) *Attorney, Agent, or Firm* — Saidman DesignLaw Group, LLC

(57) **CLAIM**

The ornamental design for a light, as shown and described.

DESCRIPTION

FIG. 1 is a perspective view of a light showing our new design;

FIG. 2 is a top view thereof;

FIG. 3 is a bottom view thereof;

FIG. 4 is a left side view thereof;

FIG. 5 is a right side view thereof;

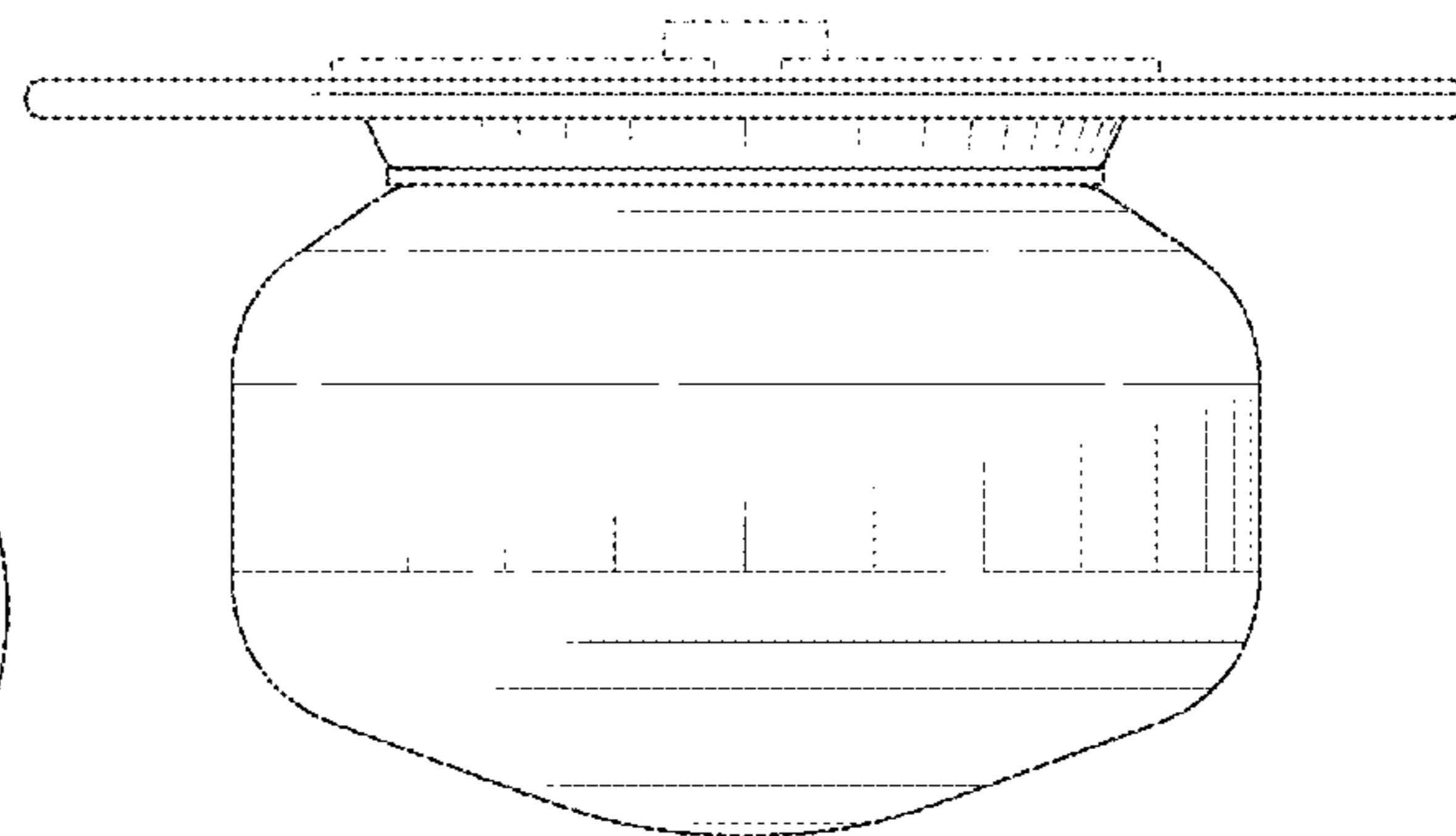
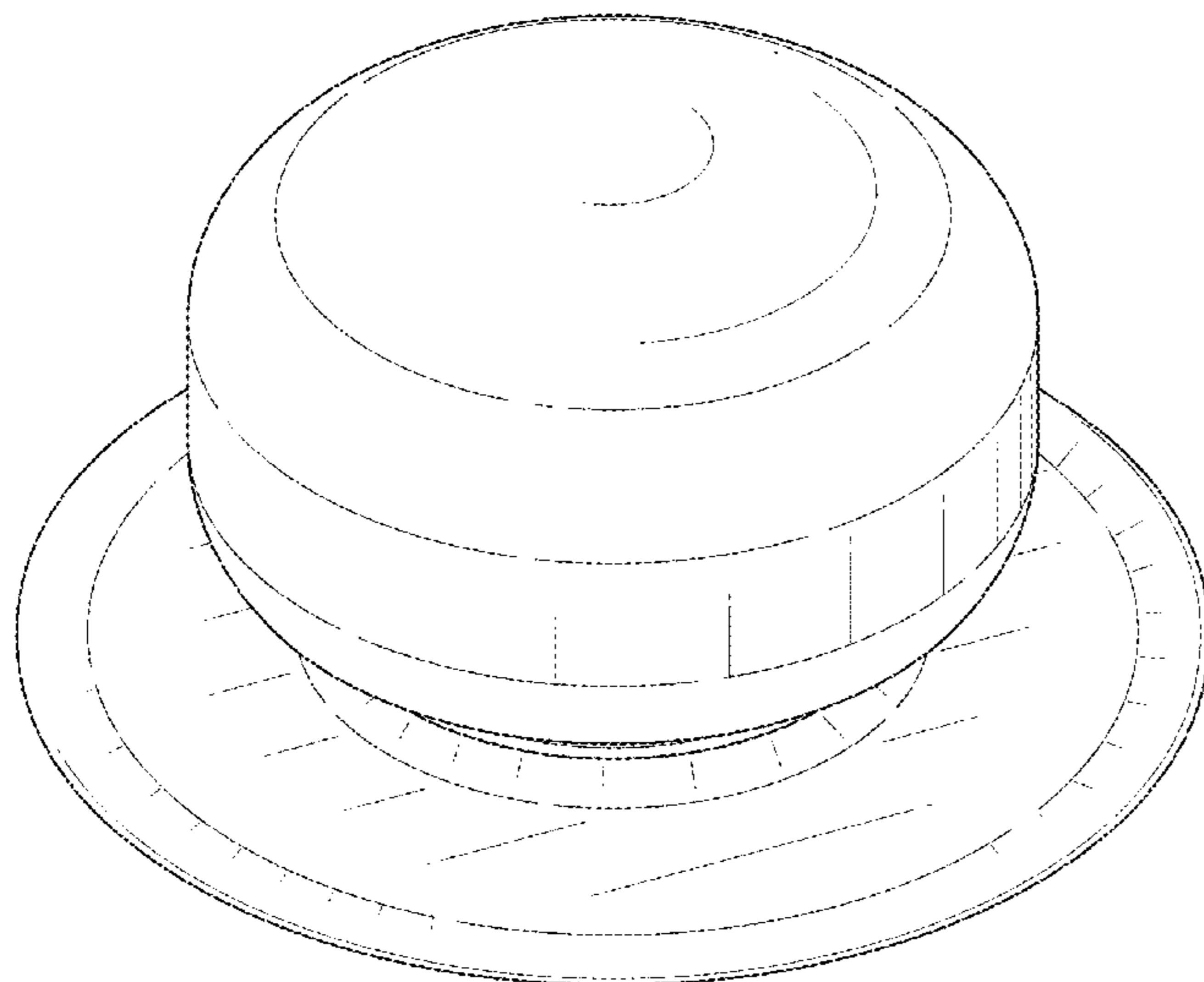
FIG. 6 is a front view thereof; and,

FIG. 7 is a rear view thereof.

The broken lines depict portions of the light which form no part of the claimed design.

The drawings include surface shading which illustrates contour and not surface ornamentation.

1 Claim, 5 Drawing Sheets



(56)

References Cited

U.S. PATENT DOCUMENTS

D889,733 S 7/2020 Bowles
D935,085 S * 11/2021 Richardson D26/85

OTHER PUBLICATIONS

Glo-Ball Mini Ceiling Light by Jasper Morrison for FLOS—Item#: R013895. Available from lumens.com as early as Jun. 30, 2012. (Year: 2012).*

Casablanca G501 4-Inch Opal Schoolhouse glass ASIN: B002SRJA5Y. Available from amazon.com Oct. 9, 2009. (Year: 2009).*

Minka-Aire K9402L-ORB Universal 1 Light Oil Rubbed Bronze Outdoor Light Kit ASIN: B006ZV4EV4. Available from amazon.com Oct. 29, 2020. (Year: 2020).*

Westinohouse Liohtino 7784400 LED Schoolhouse Indoor/Outdoor Energy Star Ceiling Fan Light Kit. ASIN: B06ZZXSD9N. Available from amazon.com Apr. 19, 2017. (Year: 2017).*

Savoy House FLGC-1108-FB Schoolhouse Indoor/Outdoor Fan-Light Kit, ASIN: B001YQ7YOY. Available from amazon.com Mar. 21, 2009. (Year: 2009).*

Pastille Wayfind Wall Sconce by Rich Brilliant Willing blogpost at sohomod.com posted Nov. 19, 2018. <<https://www.sohomod.com/blog/pastille-wayfind-wall-sconce-by-rich-brilliant-willing/>> (Year: 2018).

Pastille Wayfind by Rich Brilliant Willing blogpost by Leo Lei on Oct. 4, 2018 at leibal.com. <<https://leibal.com/lighting/pastille-wayfind/>> (Year: 2018).

* cited by examiner

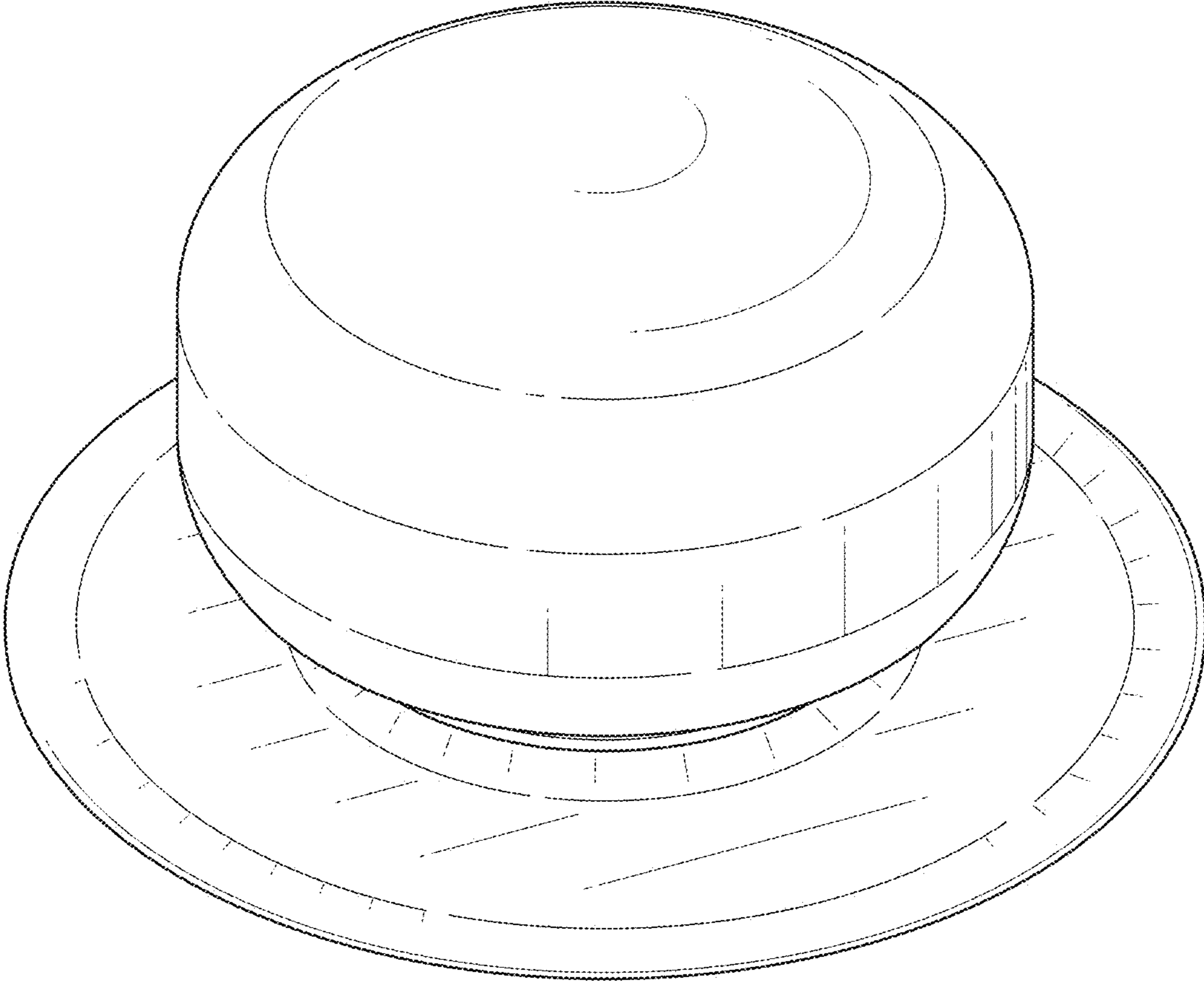


FIG. 1

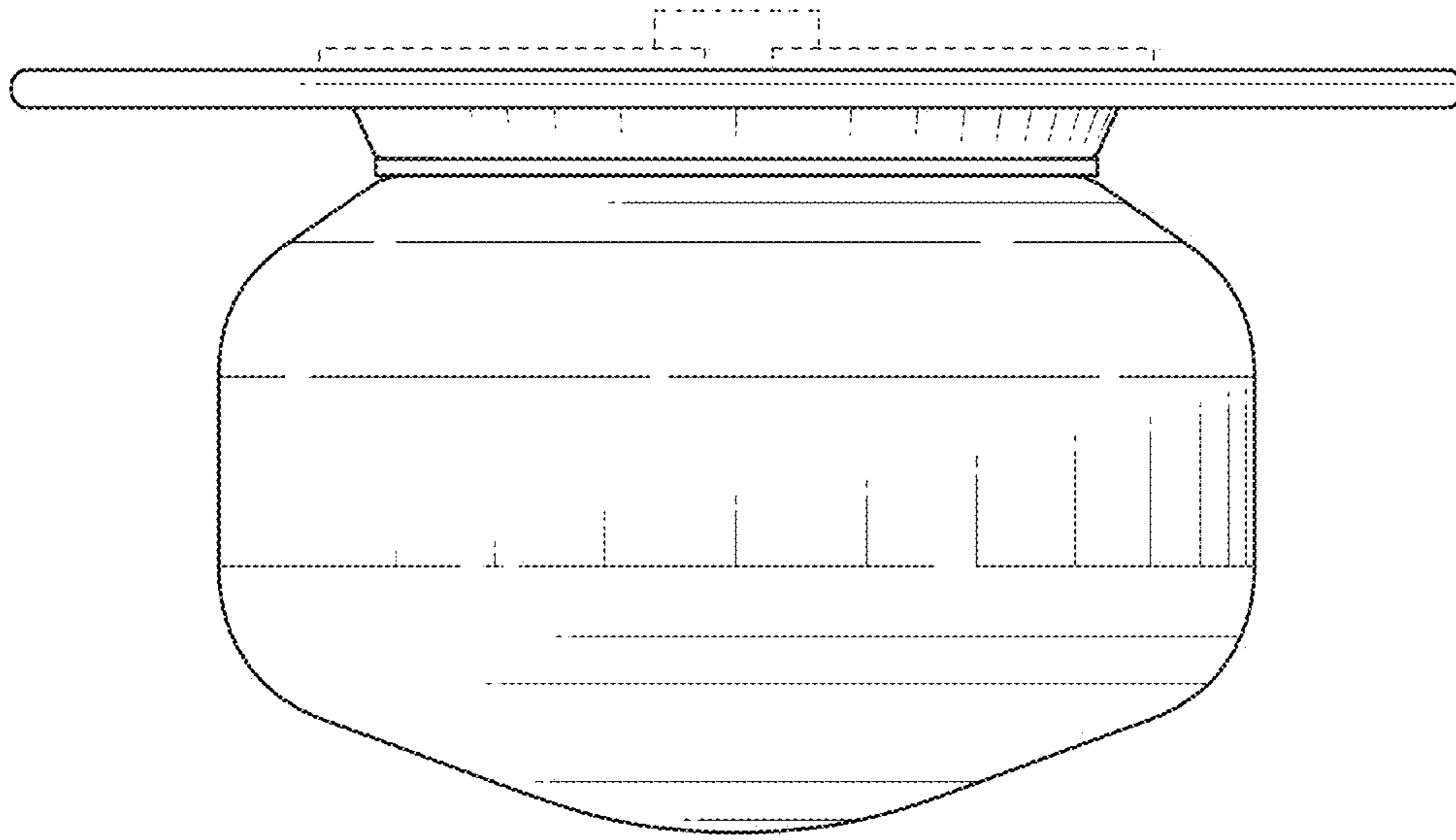


FIG. 2

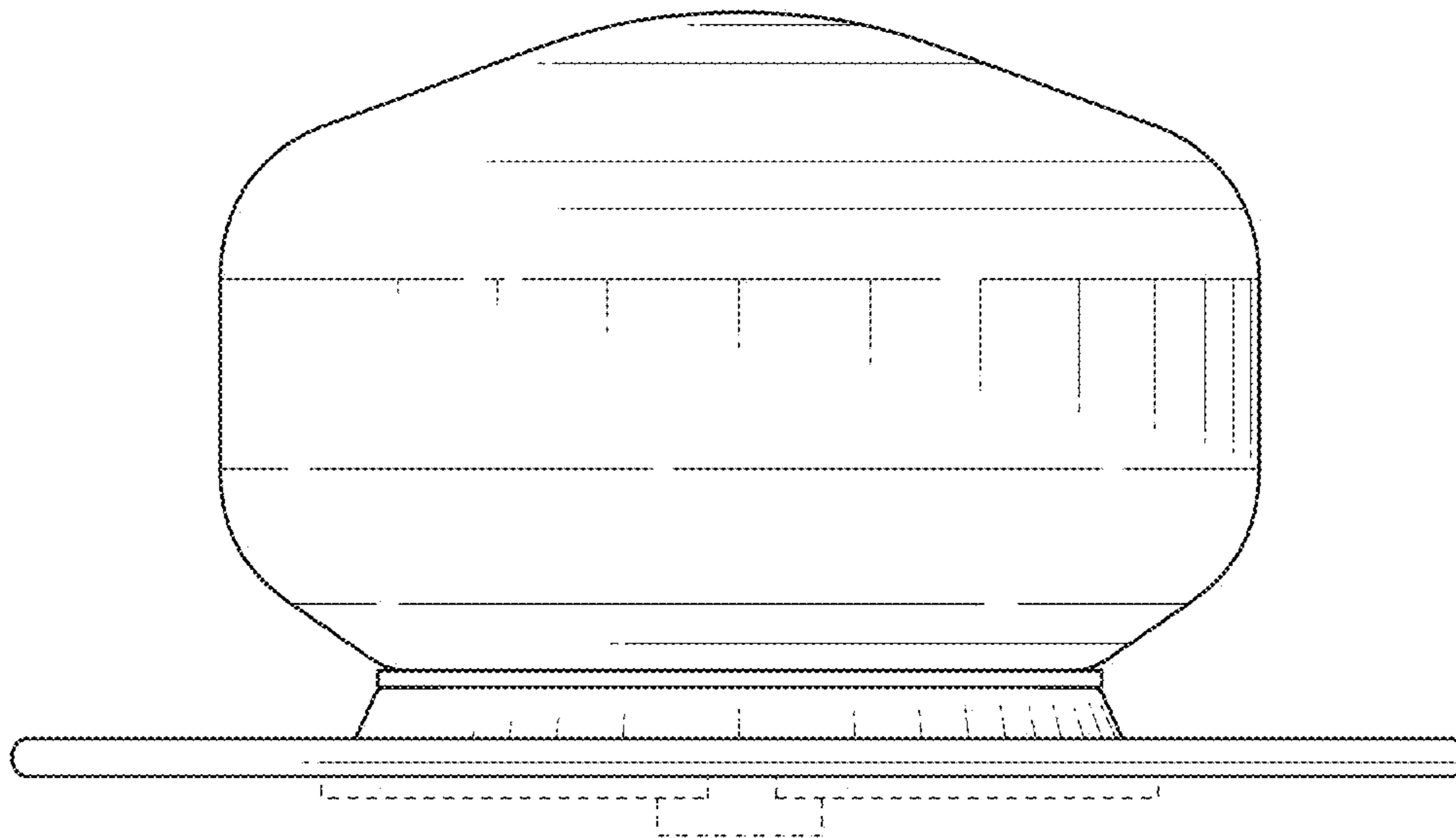


FIG. 3

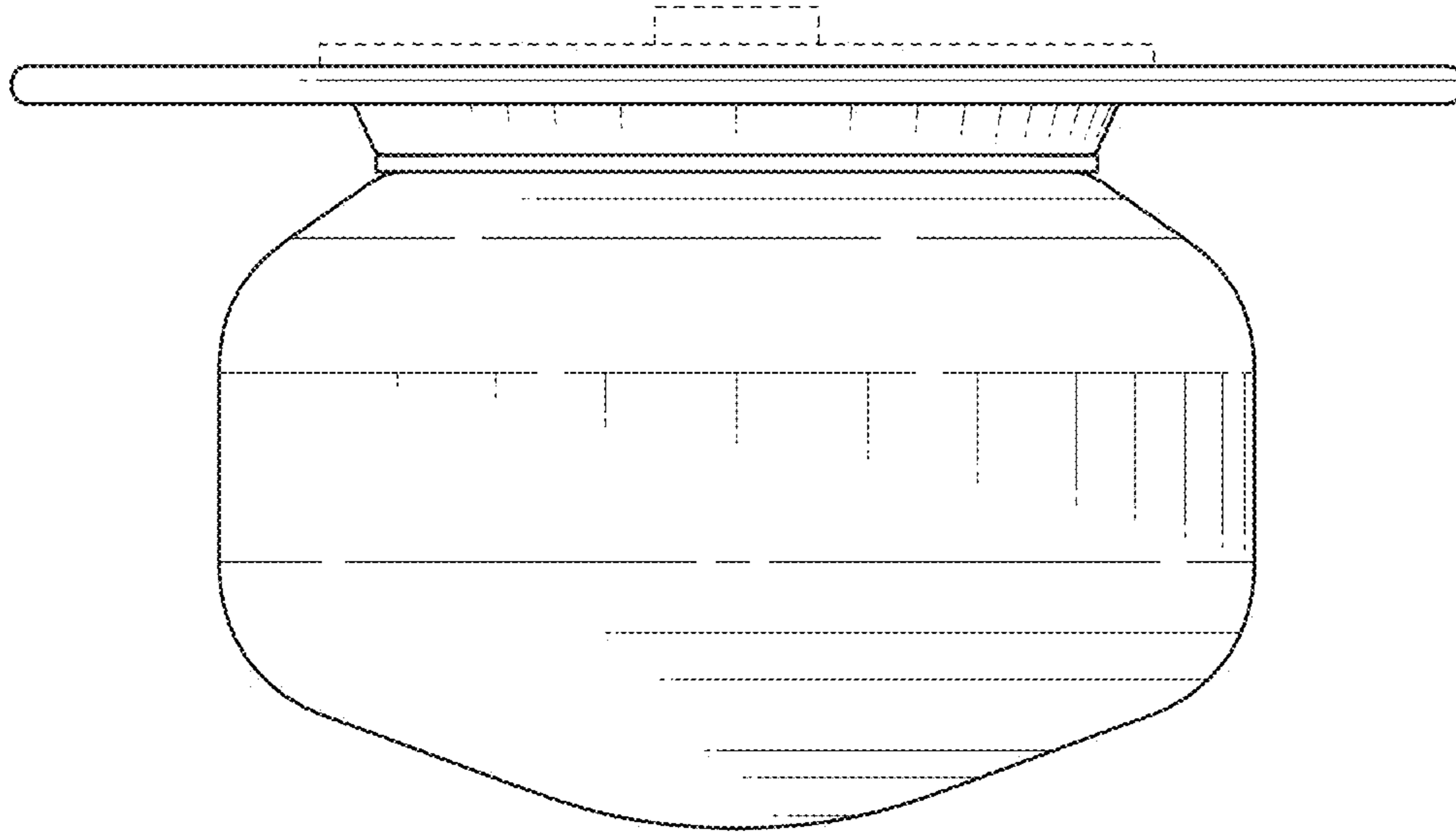


FIG. 5

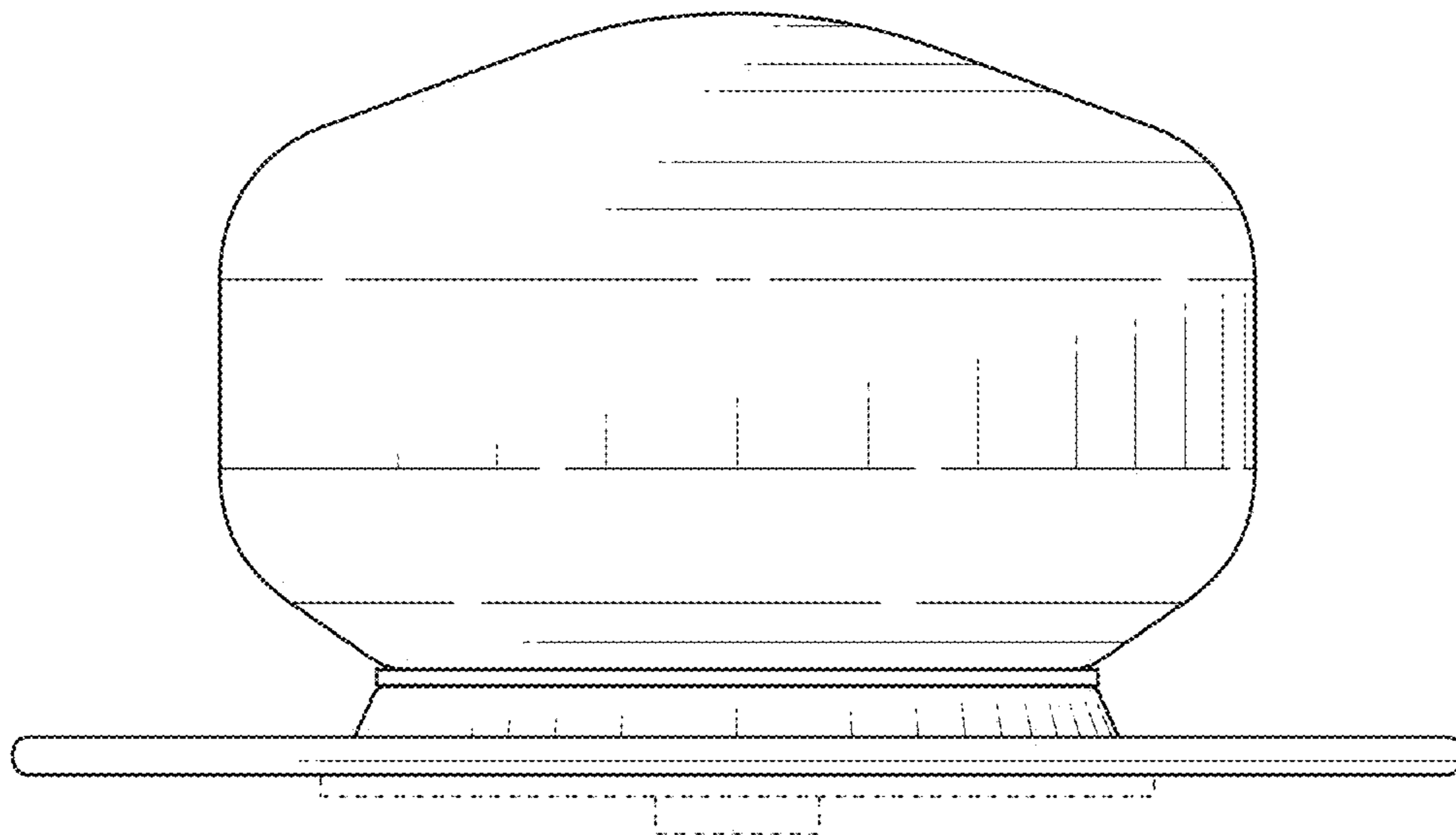


FIG. 4

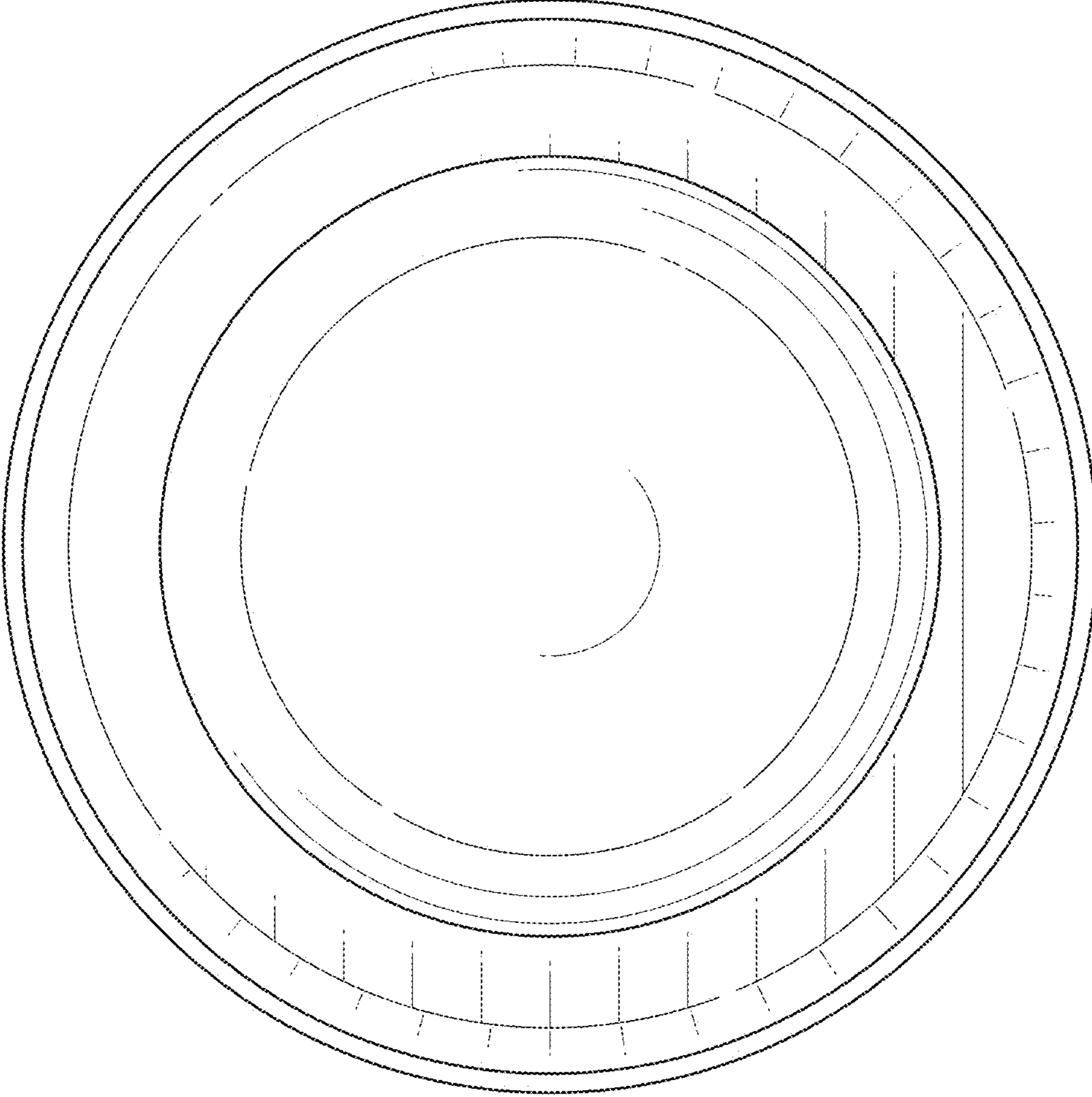


FIG. 6

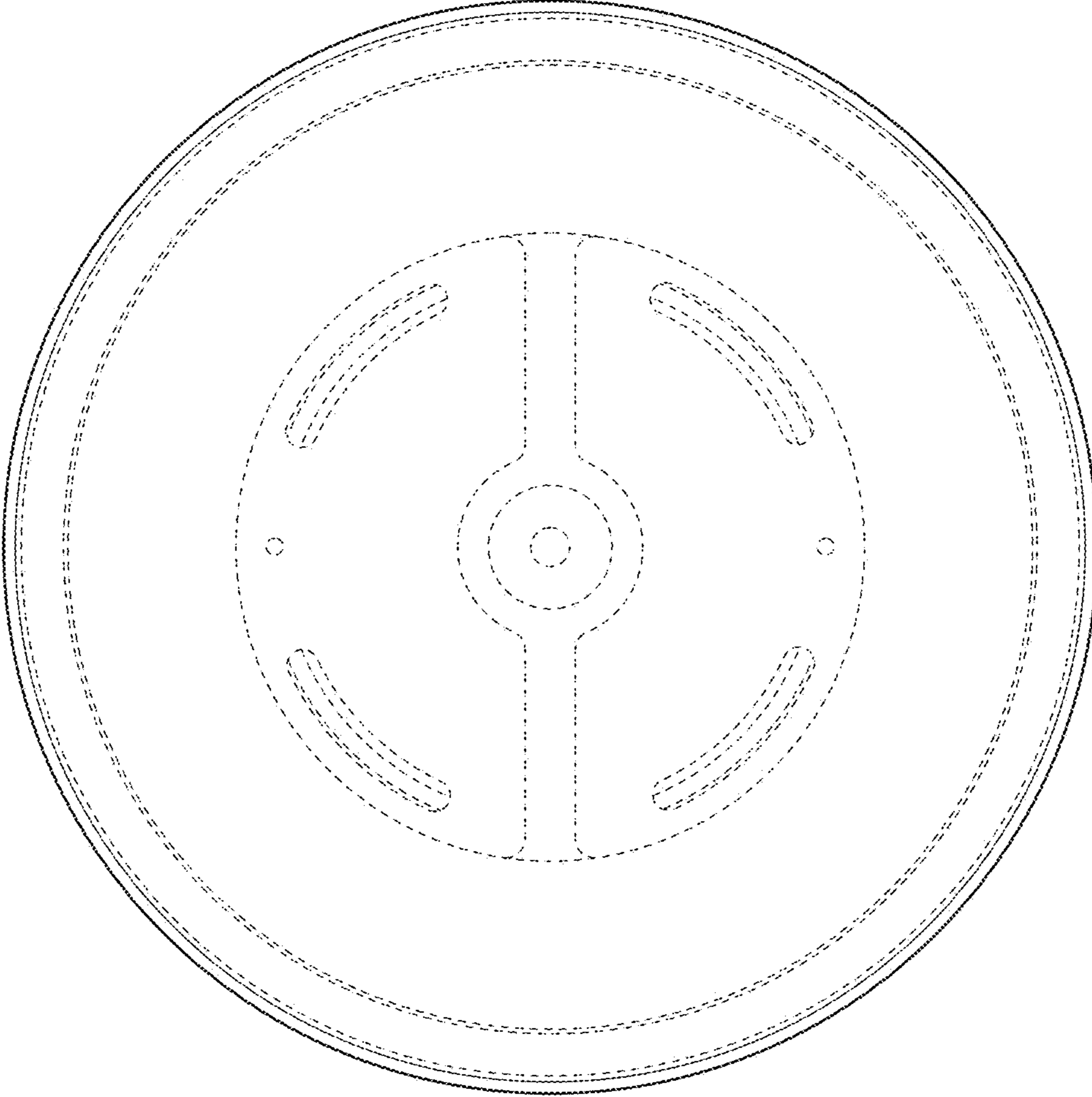


FIG. 7