



US00D970787S

(12) **United States Design Patent**
Zheng

(10) **Patent No.:** **US D970,787 S**

(45) **Date of Patent:** **** Nov. 22, 2022**

(54) **LED LAMP**

FOREIGN PATENT DOCUMENTS

(71) Applicant: **Zhancheng Zheng**, Puning (CN)

CN 302884066 S 7/2014
CN 304706996 S 6/2018

(72) Inventor: **Zhancheng Zheng**, Puning (CN)

OTHER PUBLICATIONS

(**) Term: **15 Years**

Tipace Modern 3 Lights LED Vanity Light ASIN: B08R9F7WRQ. Available from amazon.com Dec. 25, 2020. (Year: 2020).*

(21) Appl. No.: **29/807,308**

Ralbay 4-Light Modern LED Bathroom Vanity Light ASIN: B096B3WQL6. Available from amazon.com Jun. 1, 2021. (Year: 2021).*

(22) Filed: **Sep. 10, 2021**

Ralbay LED Modern Vanity Light ASIN: B08Z36PCGC. Available from amazon.com Mar. 16, 2021. (Year: 2021).*

(51) **LOC (13) Cl.** **26-03**

Solfart Modern 6 Lights White Light for LED Bathroom Vanity Light ASIN: B0897KFVV4. Available from amazon.com May 27, 2020. (Year: 2020).*

(52) **U.S. Cl.**

USPC **D26/87; D26/86**

(58) **Field of Classification Search**

USPC D26/72, 80, 85, 86, 87, 92

CPC .. F21S 8/033; F21S 8/035; F21S 8/036; F21S

8/046

See application file for complete search history.

* cited by examiner

Primary Examiner — Clare E Heflin

(57) **CLAIM**

The ornamental design for the LED lamp, as shown and described.

(56) **References Cited**

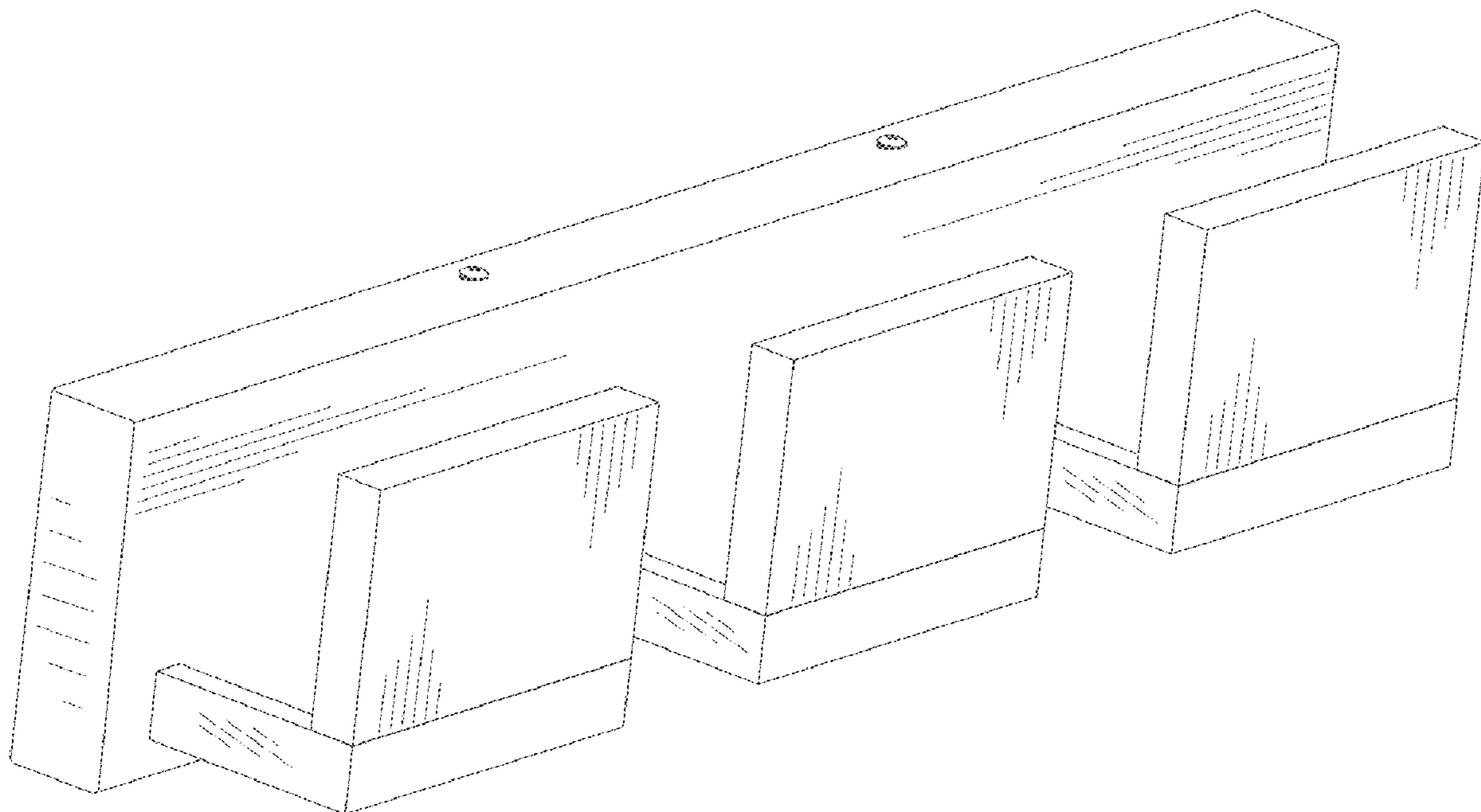
DESCRIPTION

U.S. PATENT DOCUMENTS

D469,561 S	1/2003	Thompson	
D879,353 S *	3/2020	Lin	D26/86
D911,584 S	2/2021	Zheng	
D914,266 S *	3/2021	Wang	D26/87
D917,768 S *	4/2021	Chen	D26/87
D925,807 S *	7/2021	Chen	D26/86
D952,928 S *	5/2022	Wen	D26/86
D954,334 S *	6/2022	Liu	D26/87
D955,624 S *	6/2022	Liu	D26/87
2013/0077295 A1 *	3/2013	Hayashi	H01L 33/00 362/217.05

FIG. 1 is a top, front and left side perspective view of the LED lamp, showing my new design;
FIG. 2 is a front elevational view thereof;
FIG. 3 is a rear elevational view thereof;
FIG. 4 is a left side elevational view thereof;
FIG. 5 is a right side elevational view thereof;
FIG. 6 is a top plan view thereof; and,
FIG. 7 is a bottom plan view thereof.

1 Claim, 7 Drawing Sheets



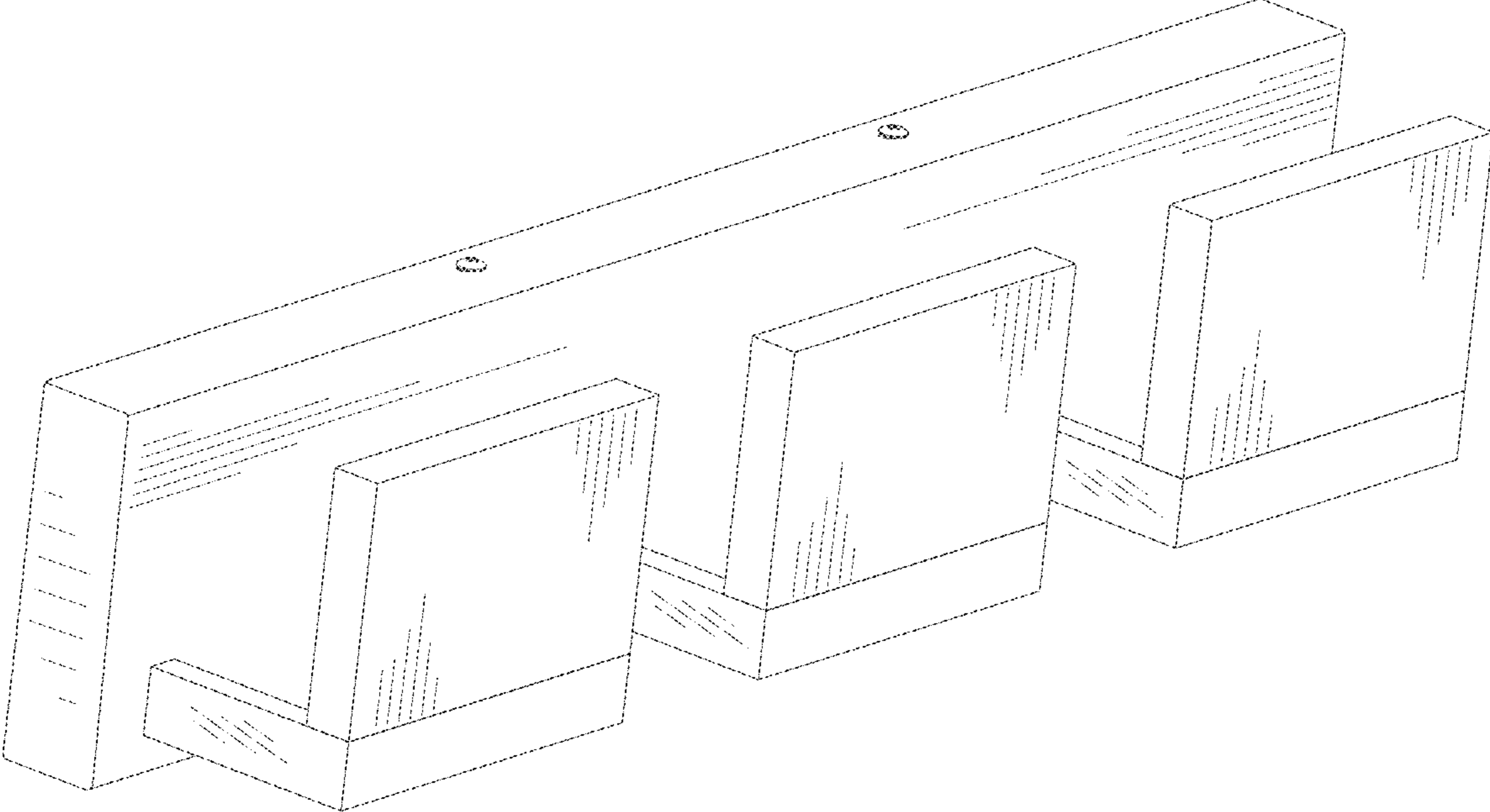


FIG. 1

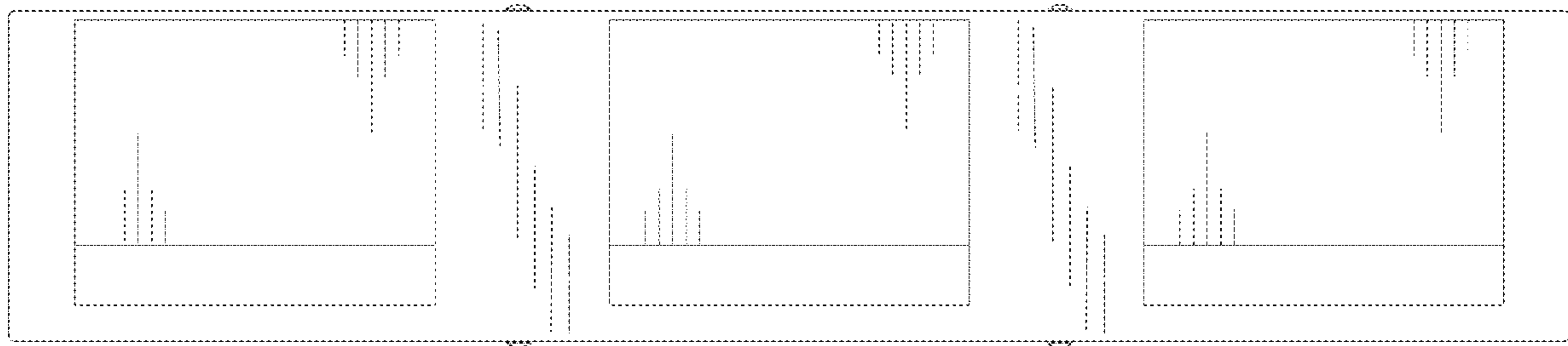


FIG. 2

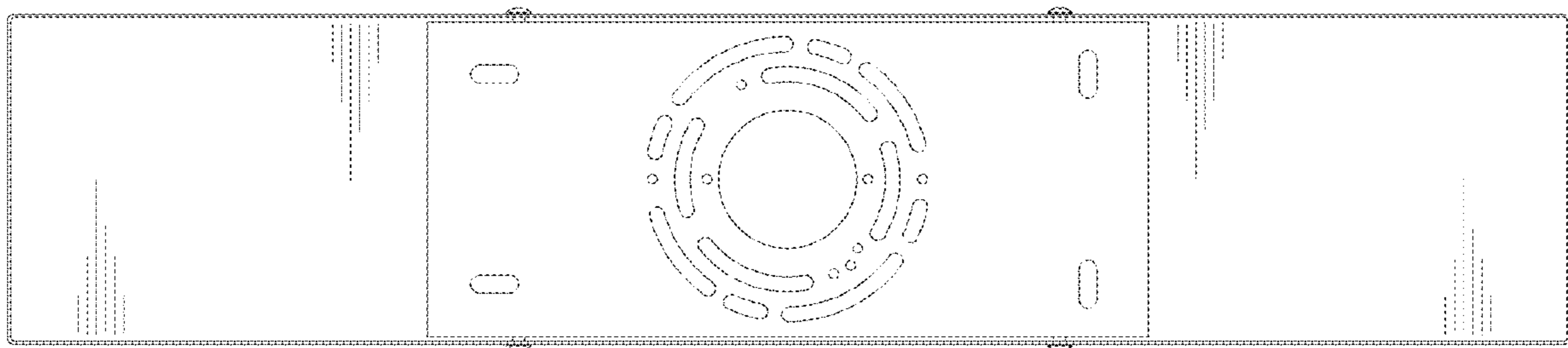


FIG. 3

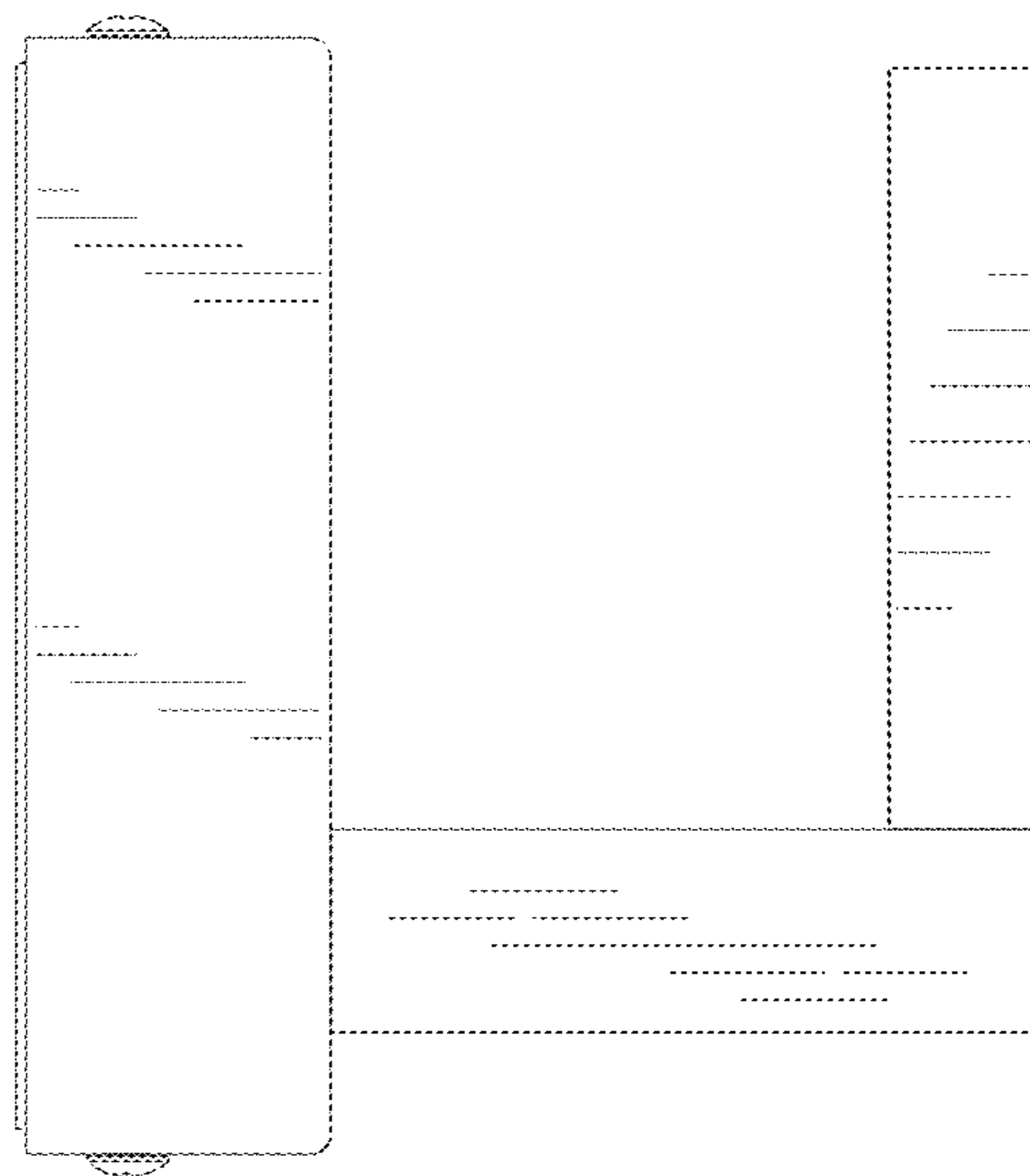


FIG. 4

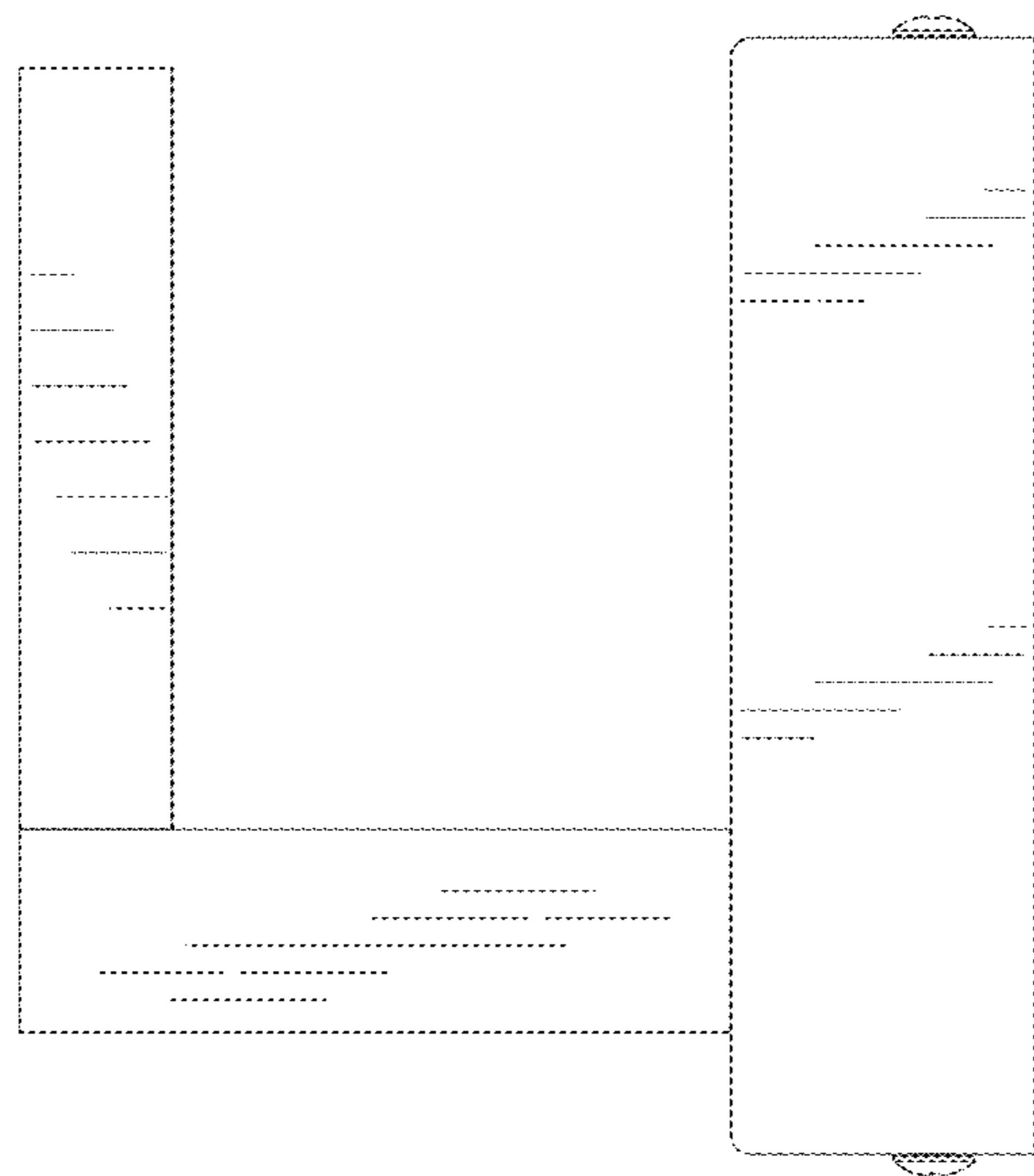


FIG. 5

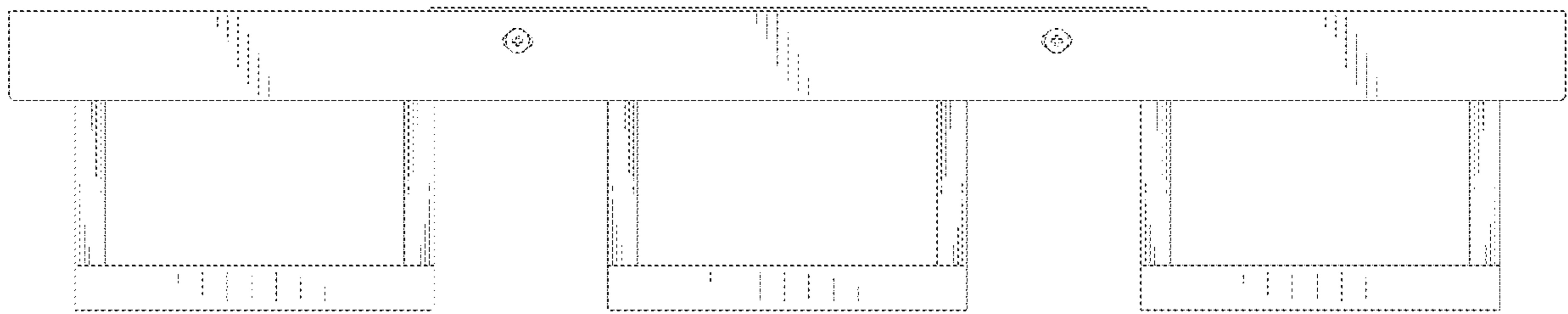


FIG. 6

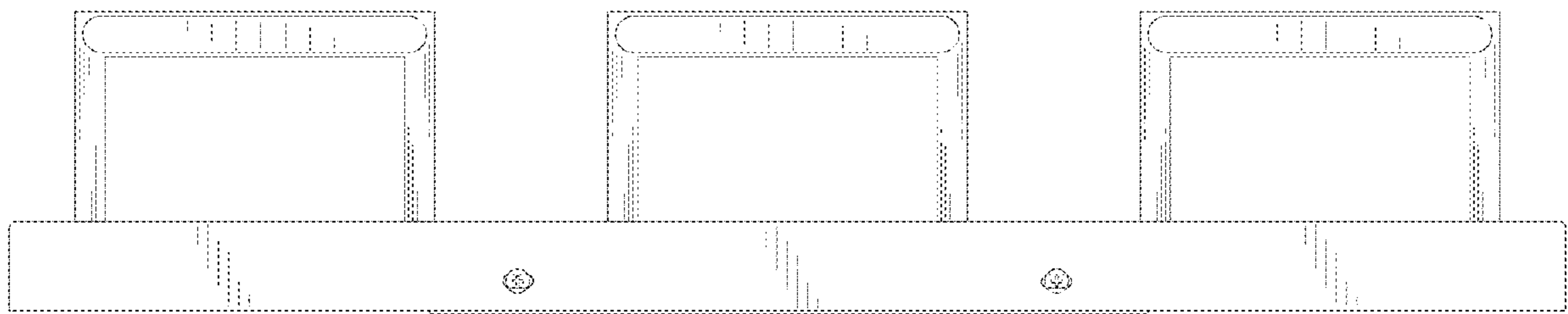


FIG. 7