



US00D970786S

(12) **United States Design Patent** (10) **Patent No.:** **US D970,786 S**  
**Huang** (45) **Date of Patent:** **\*\* Nov. 22, 2022**

(54) **CYLINDER WALL LIGHT**  
(71) Applicant: **Dongmei Huang**, Huaihua (CN)  
(72) Inventor: **Dongmei Huang**, Huaihua (CN)  
(73) Assignee: **Dongmei Huang**, Huaihua (CN)  
(\*\*) Term: **15 Years**

D819,863 S \* 6/2018 Deng ..... D26/76  
D844,581 S \* 4/2019 Zhou ..... D14/240  
D866,843 S \* 11/2019 Benghozi ..... D26/87  
D870,714 S \* 12/2019 Bradley ..... D14/240  
D889,020 S 6/2020 Bassant  
D910,219 S 2/2021 Frost  
D913,561 S \* 3/2021 Yang ..... D26/85  
D928,755 S \* 8/2021 Jang ..... D14/240  
D952,929 S \* 5/2022 Van Duysen ..... D26/87  
2012/0287610 A1 \* 11/2012 Krogman ..... F21S 8/00  
362/249.02

(21) Appl. No.: **29/789,372**

(Continued)

(22) Filed: **Sep. 18, 2021**

OTHER PUBLICATIONS

(51) **LOC (13) Cl.** ..... **26-05**

(52) **U.S. Cl.**  
USPC ..... **D26/87**

(58) **Field of Classification Search**  
USPC ..... D26/67-68, 72, 85-87  
CPC ..... F21S 8/00; F21S 8/03; F21S 8/033; F21S  
8/036; F21S 8/043; F21S 8/046; F21S  
8/061

Zuukole, Outdoor Wall Sconce. First available Dec. 23, 2020.  
Searched on Jul. 26, 2022. [https://www.amazon.com/Outdoor-Lantern-ZUUKOLE-Exterior-Lighting/dp/B08R7G7G9N/] (Year: 2020).\*

(Continued)

See application file for complete search history.

*Primary Examiner* — Samantha Q Lawrence  
*Assistant Examiner* — Melissa Adriane Santos  
(74) *Attorney, Agent, or Firm* — Nitin Kaushik

(56) **References Cited**

U.S. PATENT DOCUMENTS

D213,279 S \* 1/1969 Bernadotte et al. .... D26/80  
D253,854 S \* 1/1980 Strignano ..... D26/89  
D294,739 S \* 3/1988 Joerger ..... D26/87  
D316,459 S \* 4/1991 Kira ..... D26/68  
D441,125 S 4/2001 Crosby  
D442,317 S 5/2001 Crosby  
D465,298 S \* 11/2002 Gottwald ..... D26/85  
D473,002 S 4/2003 Hoernig  
D487,815 S 3/2004 Hoernig  
D511,222 S \* 11/2005 Hetfield ..... D26/76  
D583,976 S \* 12/2008 Horn ..... D26/72  
D608,760 S \* 1/2010 Xie ..... D14/188  
D680,674 S \* 4/2013 Jepson ..... D26/87  
D683,494 S \* 5/2013 Verdin ..... D26/137  
D731,694 S \* 6/2015 Tomlinson ..... D26/128  
D760,939 S \* 7/2016 Hoang ..... D26/85  
D778,480 S \* 2/2017 Galloppa ..... D26/68  
D807,555 S \* 1/2018 Harbs ..... D26/73

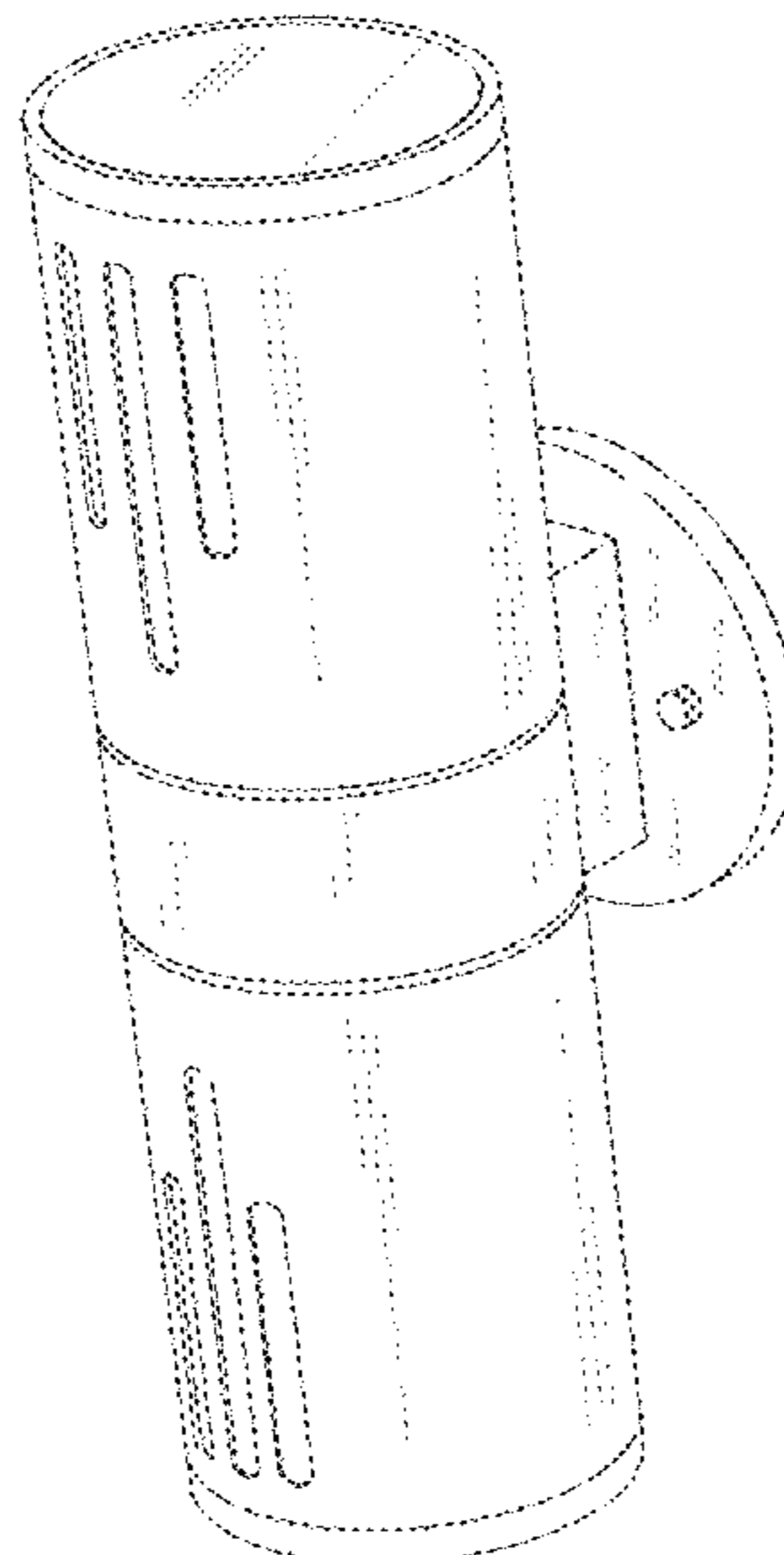
(57) **CLAIM**

The ornamental design for a cylinder wall light, as shown and described.

**DESCRIPTION**

FIG. 1 is a top, front, right perspective view of a cylinder wall light showing my new design;  
FIG. 2 is a top, back, right perspective view thereof;  
FIG. 3 is a front elevational view thereof;  
FIG. 4 is a back elevational view thereof;  
FIG. 5 is a right elevational view thereof;  
FIG. 6 is a left elevational view thereof;  
FIG. 7 is a top plan view thereof; and,  
FIG. 8 is a bottom plan view thereof.

**1 Claim, 8 Drawing Sheets**



(56)

**References Cited**

U.S. PATENT DOCUMENTS

2019/0331137 A1\* 10/2019 Xiao ..... F04D 29/325  
2020/0363026 A1\* 11/2020 Ko ..... F21S 8/033

OTHER PUBLICATIONS

ShineTech, Outdoor Wall Light. First available Oct. 12, 2021. Searched on Jul. 26, 2022. [<https://www.amazon.com/Exterior-Fixtures-Waterproof-Anti-Rust-Entryway/dp/B09J87891F>] (Year: 2021).\*

N/P, Outdoor Wall Sconce. First available Jul. 22, 2021. Searched on Jul. 26, 2022. [<https://www.amazon.com/Exterior-Fixtures-Aluminum-Cylindrical-Courtyards/dp/B09B62QKQP/>] (Year: 2021).\*

\* cited by examiner

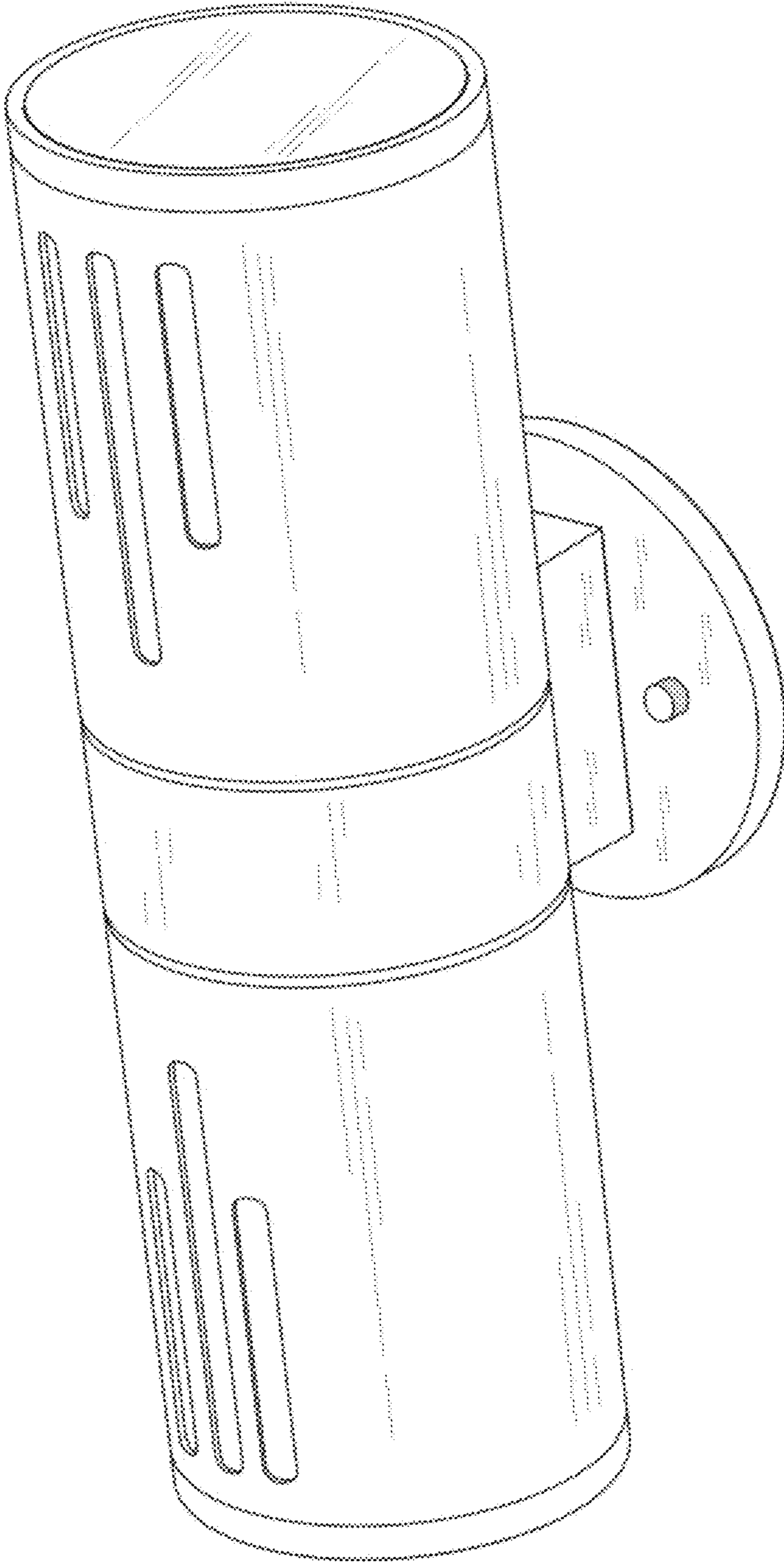


FIG1

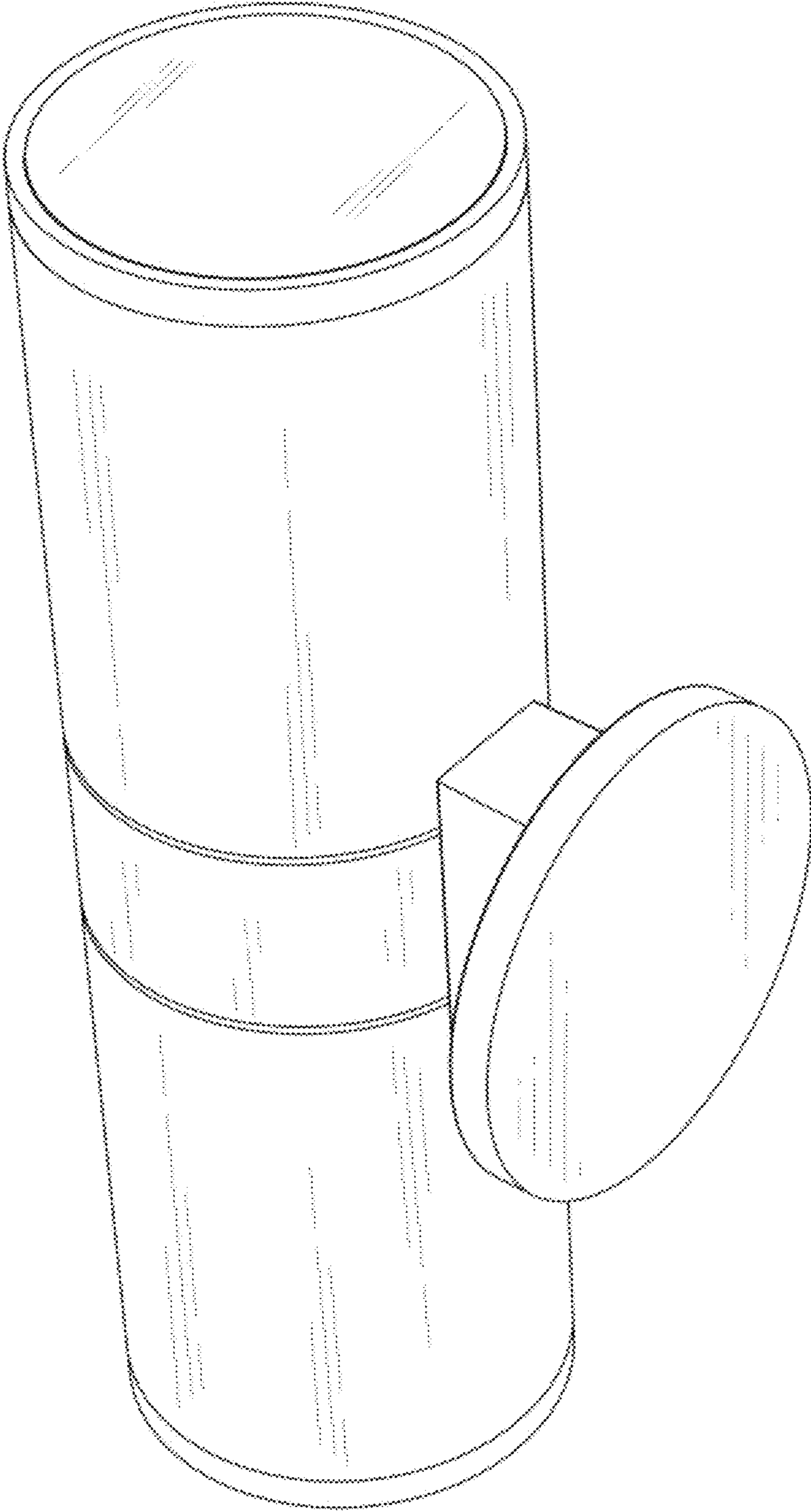


FIG2

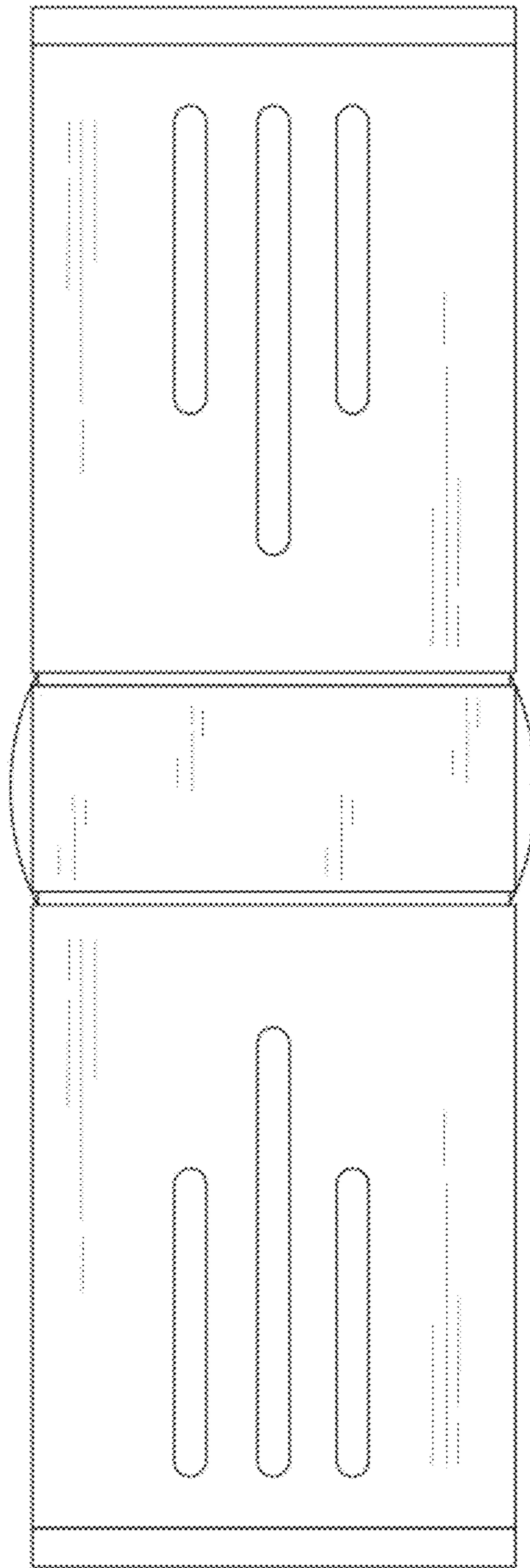


FIG 3



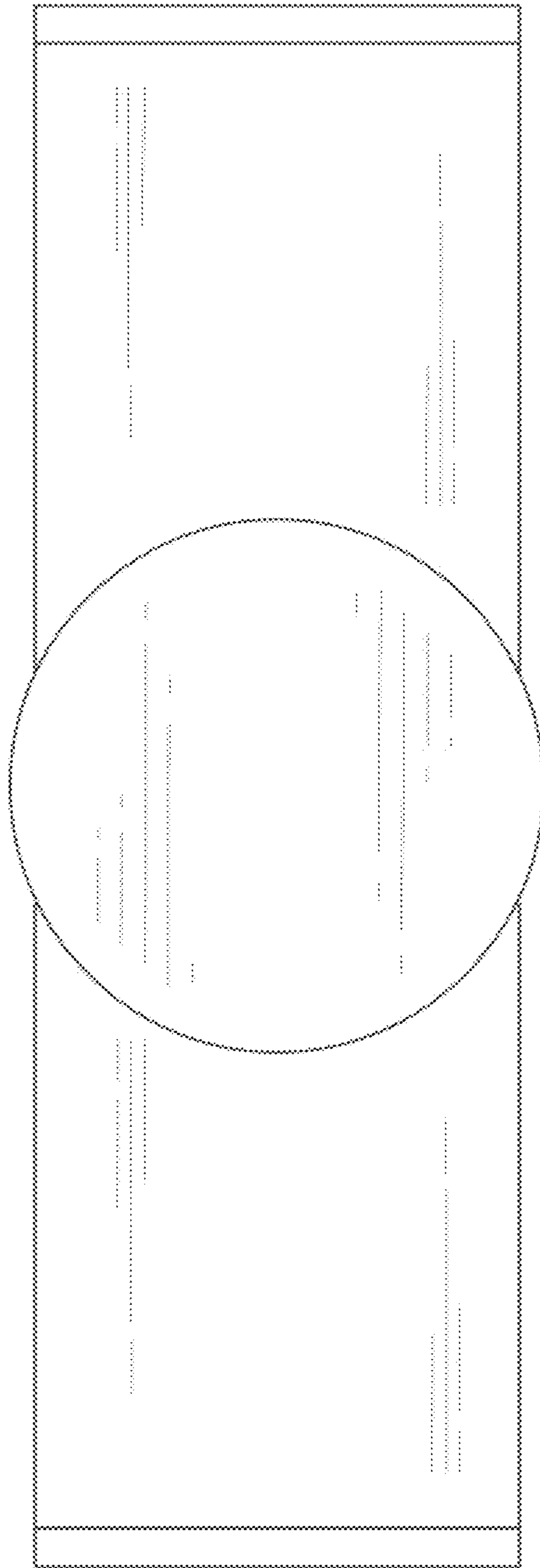


FIG4

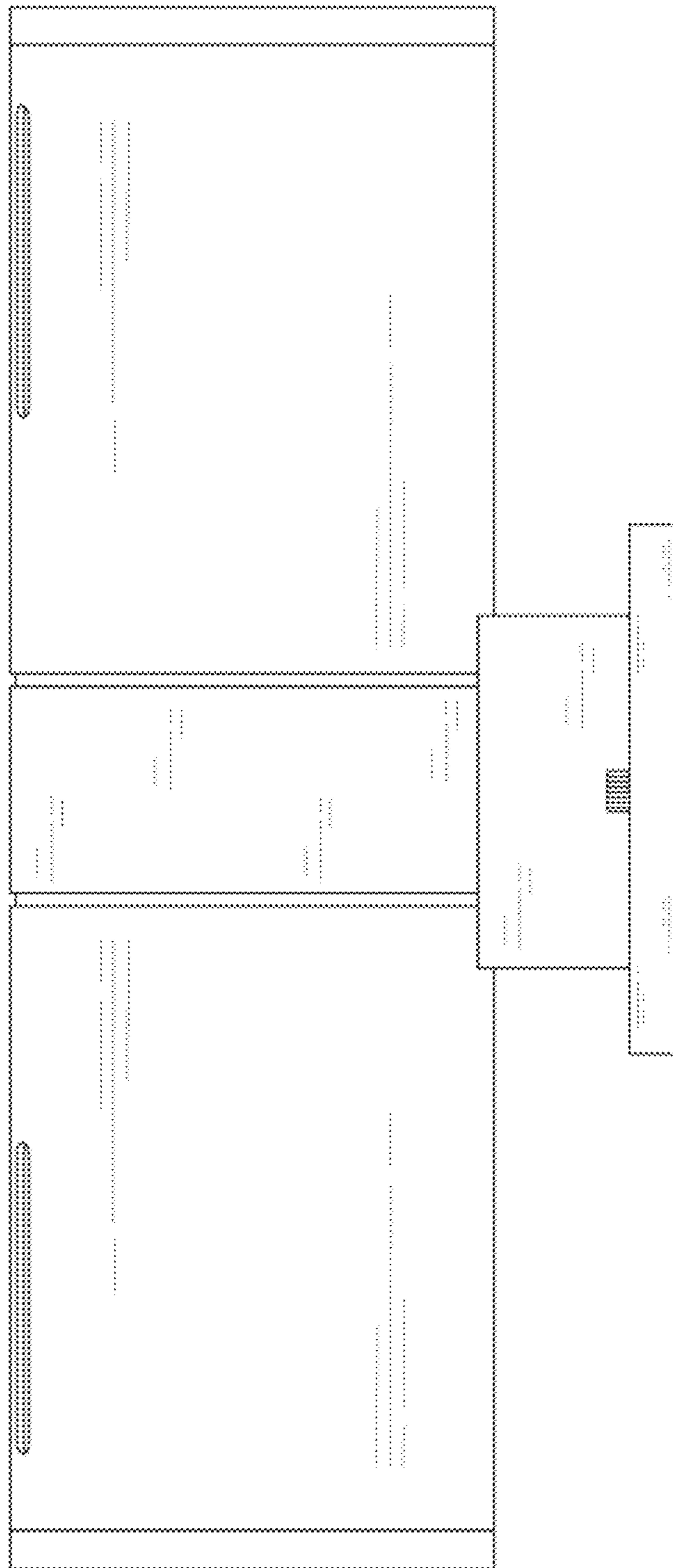


FIG 5

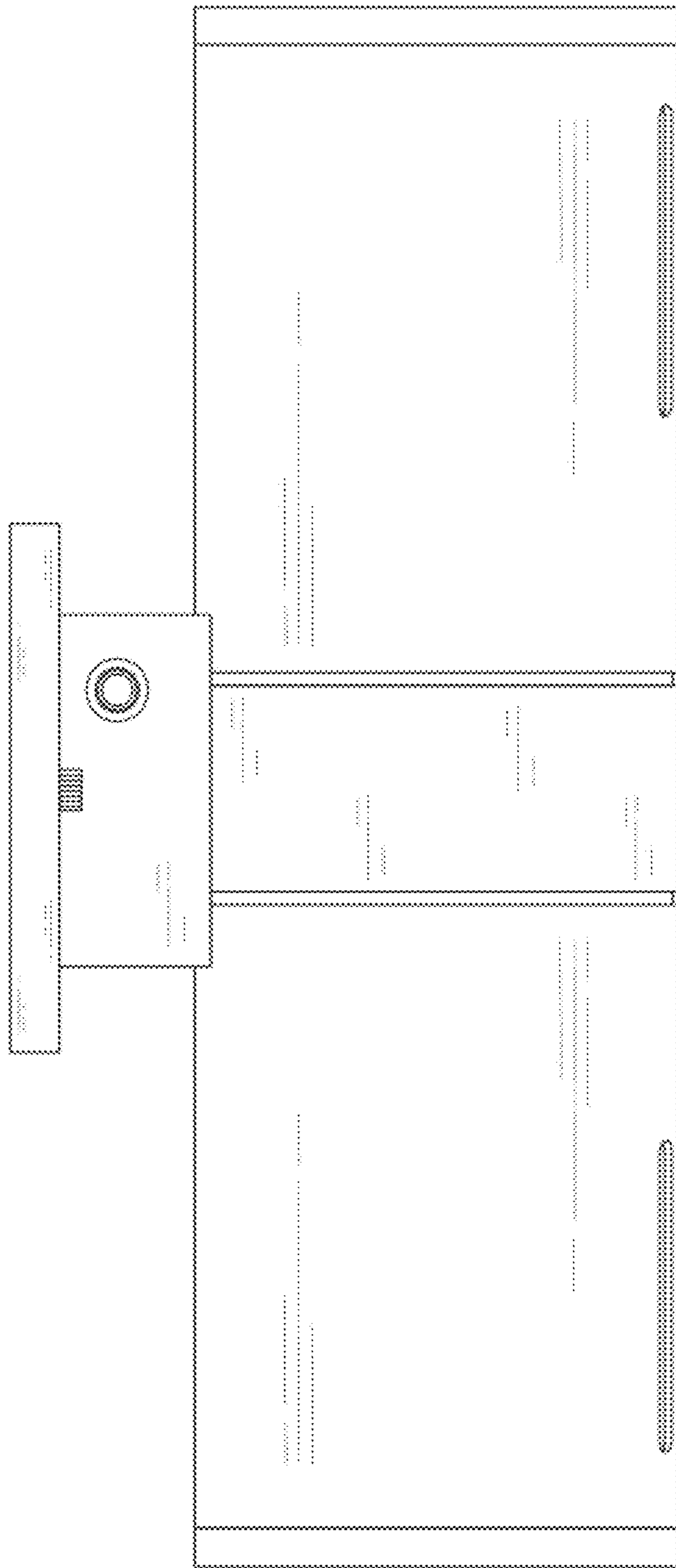


FIG 6



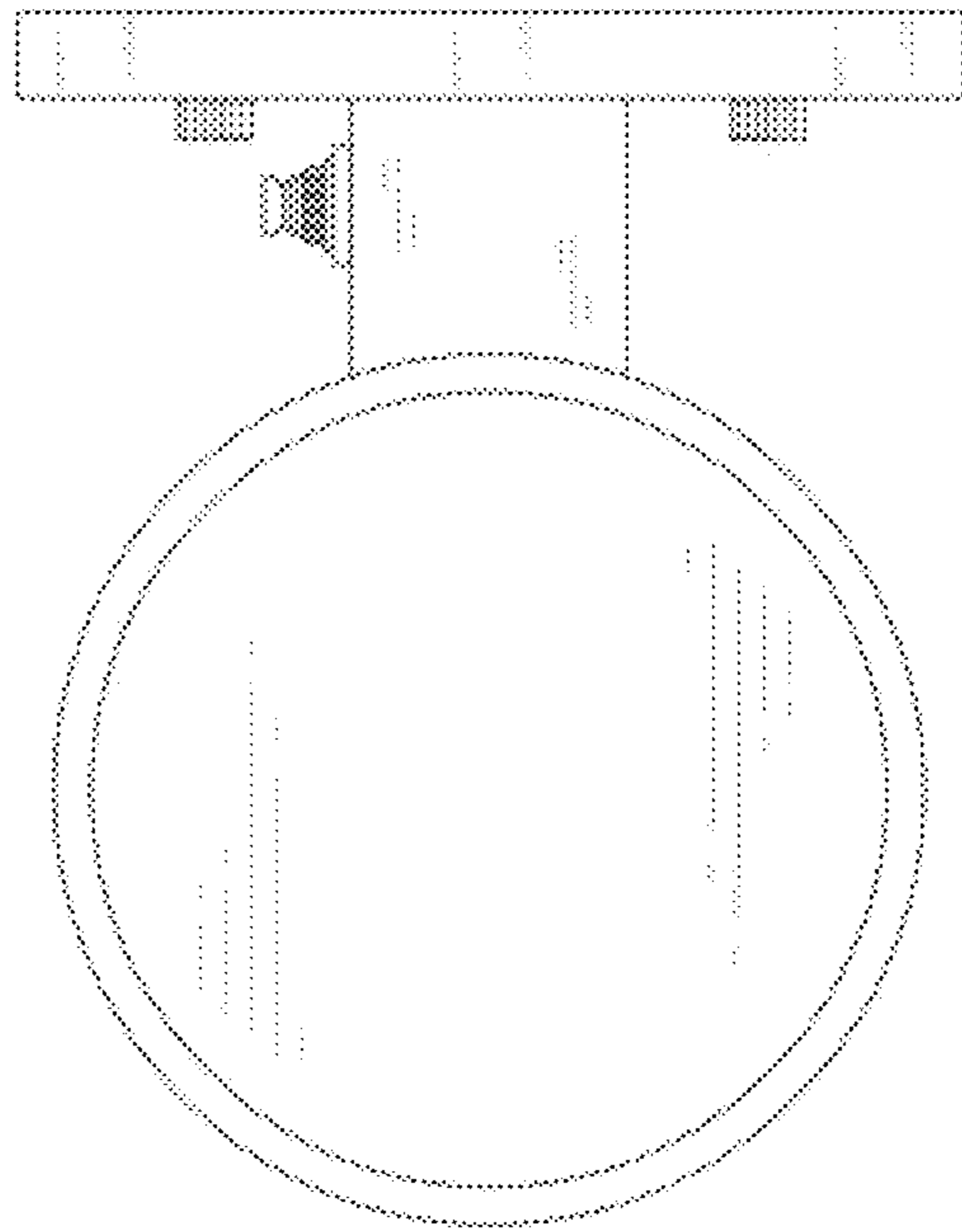


FIG 7

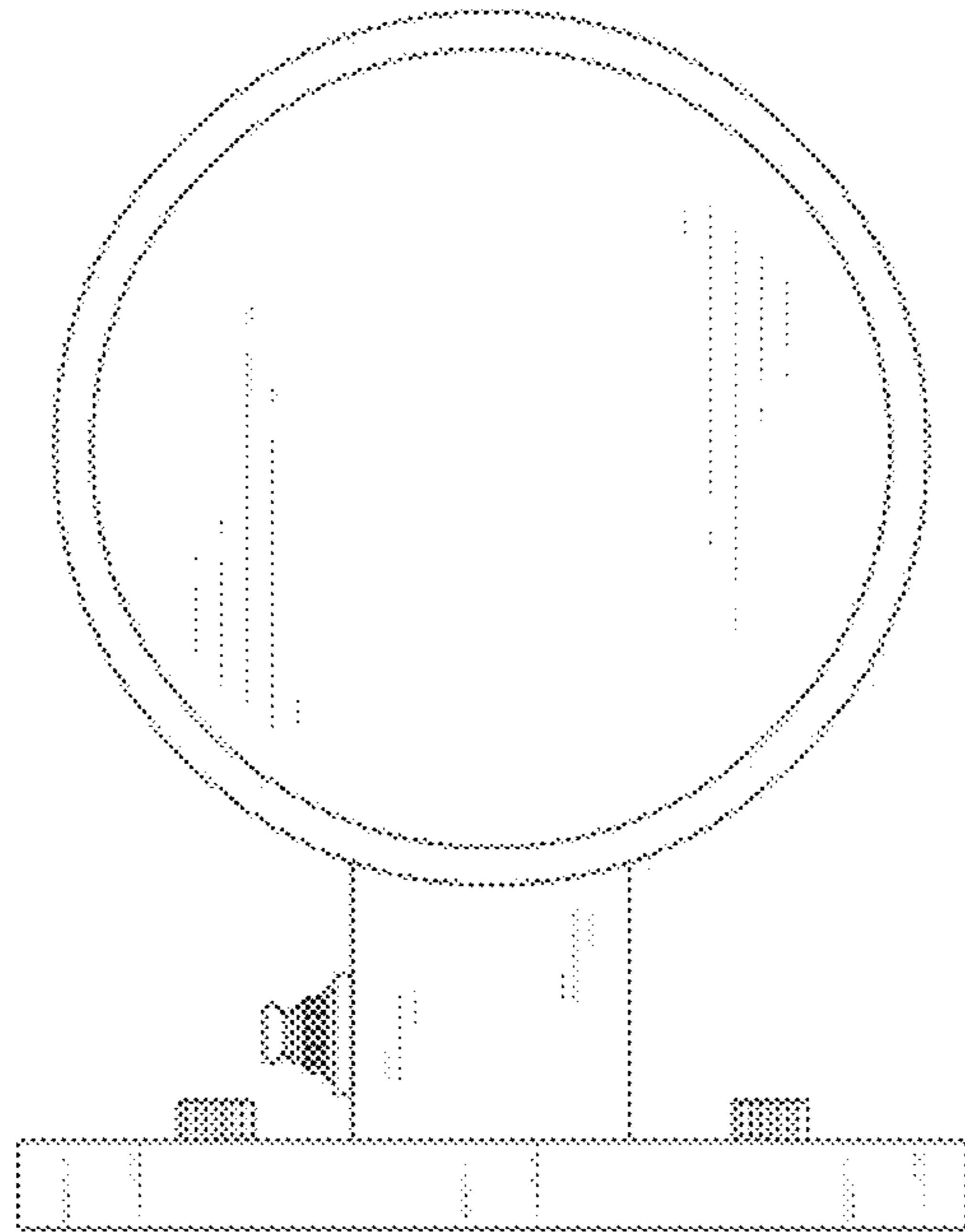


FIG8