



US00D970785S

(12) **United States Design Patent**  
**Zhang**

(10) **Patent No.:** **US D970,785 S**

(45) **Date of Patent:** **\*\* Nov. 22, 2022**

(54) **CEILING LIGHT**

(71) Applicant: **Xudong Zhang**, Shiyan (CN)

(72) Inventor: **Xudong Zhang**, Shiyan (CN)

(\*\*) Term: **15 Years**

(21) Appl. No.: **29/791,691**

(22) Filed: **Jan. 28, 2022**

(51) **LOC (13) Cl.** ..... **26-05**

(52) **U.S. Cl.**  
USPC ..... **D26/82**; D26/88

(58) **Field of Classification Search**  
USPC ..... D26/80-86, 88-91  
CPC .... F21S 8/06; F21S 8/061; F21S 8/063; F21S  
8/065; F21S 8/066; F21S 8/068  
See application file for complete search history.

(56) **References Cited**

**U.S. PATENT DOCUMENTS**

1,090,795	A *	3/1914	Schoenhardt	.....	F21V 3/00
					D26/90
D325,651	S *	4/1992	Sonneman	.....	D26/152
D341,443	S *	11/1993	Shapiro	.....	D26/88
D417,747	S *	12/1999	Pahl	.....	D26/118
D444,588	S *	7/2001	Lin	.....	D26/85
D459,525	S *	6/2002	Barry	.....	D26/88
D464,164	S *	10/2002	Thompson	.....	D26/89
D547,483	S *	7/2007	Pickett	.....	D26/89
D578,243	S *	10/2008	Salatto-Rose	.....	D26/89
D583,983	S *	12/2008	Meyer	.....	D26/89
D655,850	S *	3/2012	Sabernig	.....	D26/85
D710,490	S *	8/2014	Shurtleff	.....	D23/411
D712,584	S *	9/2014	Orozco	.....	D26/89
D716,487	S *	10/2014	Martin	.....	D26/88
D755,432	S *	5/2016	Orozco	.....	D26/82
D769,506	S *	10/2016	Orozco	.....	D26/82
D773,103	S	11/2016	Recker et al.		
D779,049	S *	2/2017	Wang	.....	D23/370

D875,293	S *	2/2020	Amato	.....	D26/88
D898,978	S *	10/2020	Xu	.....	D26/82
D922,661	S *	6/2021	Zhu	.....	D26/89
D929,019	S *	8/2021	Zhao	.....	D26/81
D933,279	S *	10/2021	Wang	.....	D26/89
D949,448	S *	4/2022	Guthrie	.....	D26/59
D952,121	S *	5/2022	He	.....	D23/382
2016/0097517	A1 *	4/2016	Loehr	.....	F21V 1/08
					362/373

**OTHER PUBLICATIONS**

Millennium Lighting, Bresley Outdoor Ceiling Light. First available unknown. Searched on Aug. 18, 2022. [https://www.lightsonline.com/millennium-4442-pbk-28m-bresley-2-light-outdoor-ceiling-light-in-powder-coat-black] (Year: 2022).\*

(Continued)

*Primary Examiner* — Samantha Q Lawrence  
*Assistant Examiner* — Melissa Adriane Santos

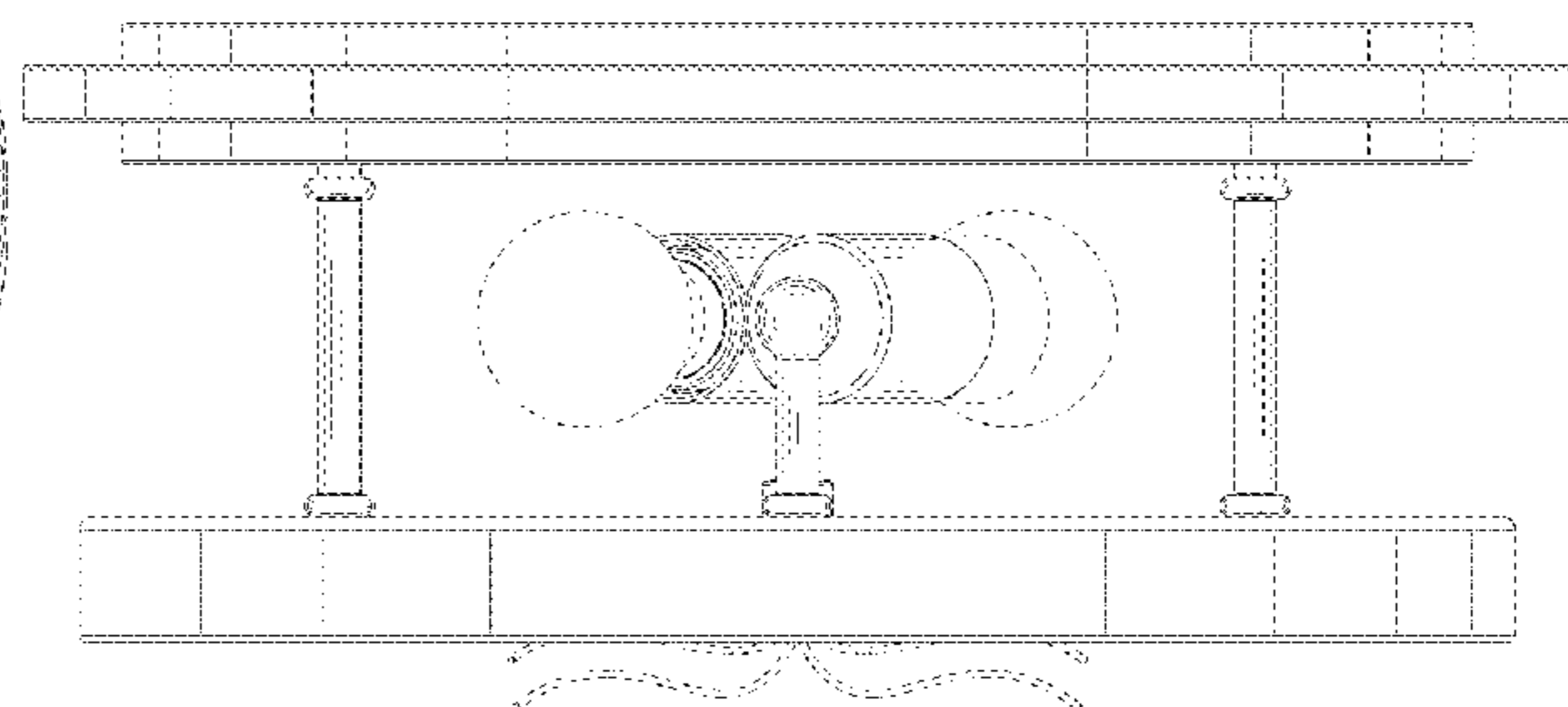
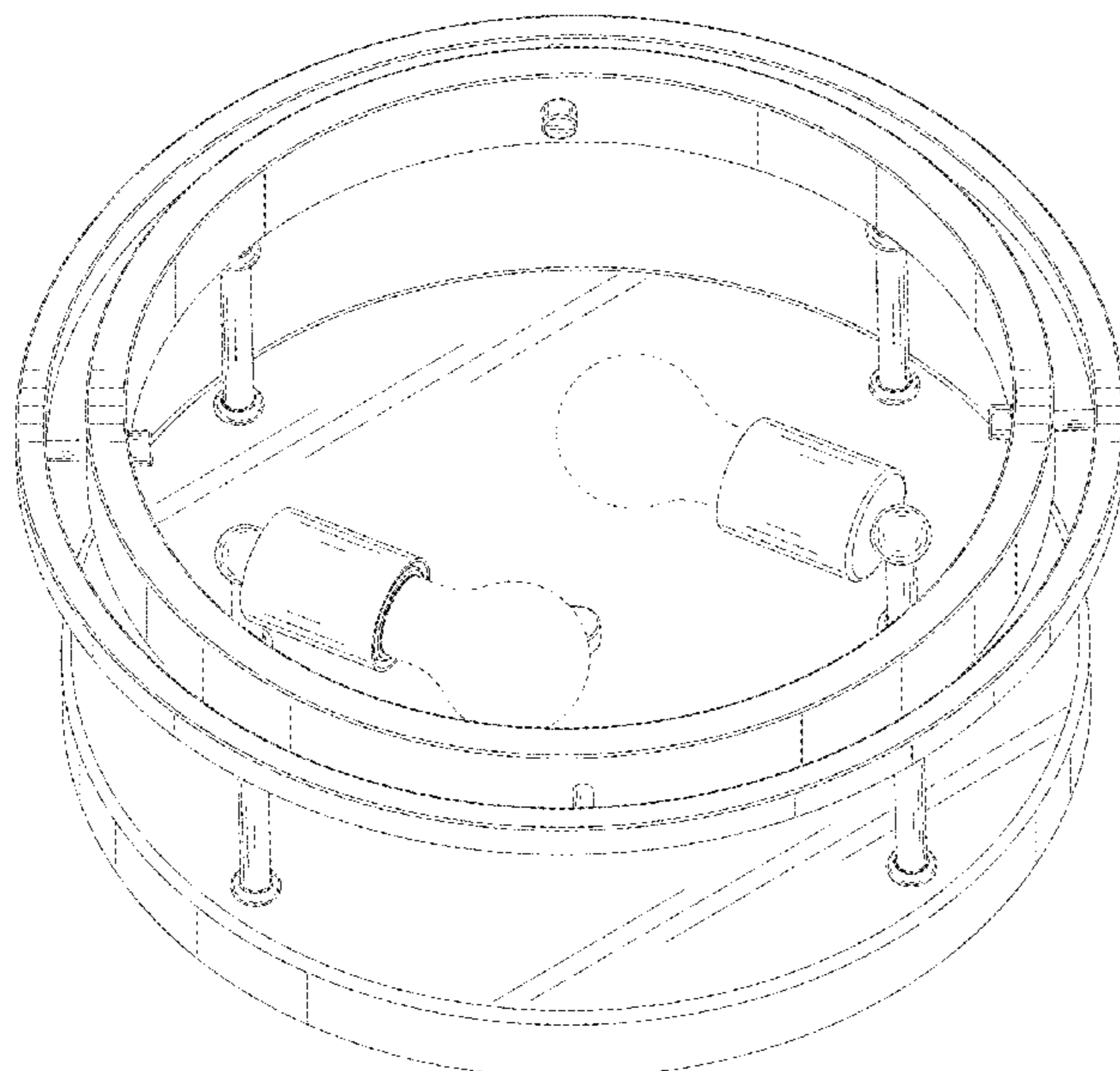
(57) **CLAIM**

The ornamental design for a ceiling light, as shown and described.

**DESCRIPTION**

FIG. 1 is a front and top perspective view of a ceiling light, showing, my new design;  
FIG. 2 is a rear and bottom perspective view thereof;  
FIG. 3 is a front elevation view thereof;  
FIG. 4 is a rear elevation view thereof;  
FIG. 5 is a left side elevation view thereof;  
FIG. 6 is a right side elevation view thereof;  
FIG. 7 is a top plan view thereof; and,  
FIG. 8 is a bottom plan view thereof.  
The broken lines in the figures illustrate portions of the ceiling light that form no part of the claimed design.

**1 Claim, 8 Drawing Sheets**



(56)

**References Cited**

OTHER PUBLICATIONS

Z-Lite, Willow Flush Mount Ceiling Fixture. First available unknown.

Searched on Aug. 18, 2022. [<https://www.build.com/z-lite-426f12/s1731943?uid=4097544&searchId=hFSeT056Vz>] (Year: 2022).\*

ELK Lighting, Flush Mount Light. First available Feb. 11, 2019.

Searched on Aug. 18, 2022. [[https://www.amazon.com/dp/B07NLHBJDR/ref=sbl\\_dpx\\_lighting-ceiling-lights\\_B09XQCWL34\\_0](https://www.amazon.com/dp/B07NLHBJDR/ref=sbl_dpx_lighting-ceiling-lights_B09XQCWL34_0)] (Year: 2019).\*

HRXBSE, Ceiling Light Fixture. First available Aug. 4, 2021.

Searched on Aug. 18, 2022. [<https://www.amazon.com/dp/B09BTWL5KT/>] (Year: 2021).\*

Jonathan Y, Lauren LED Flush Mount. First available May 6, 2019.

Searched on Aug. 18, 2022. [<https://www.amazon.com/JONATHAN-JYL7446A-Flush-Mount-Brass/dp/B07RD85726>] (Year: 2019).\*

Savoy House, Barrett Outdoor Ceiling Light. First available Jan. 22,

2016. Searched on Aug. 18, 2022. [<https://www.amazon.com/Savoy-House-Barrett-Outdoor-5-369-13-BK/dp/B01AOEE3GS>] (Year: 2016).\*

\* cited by examiner

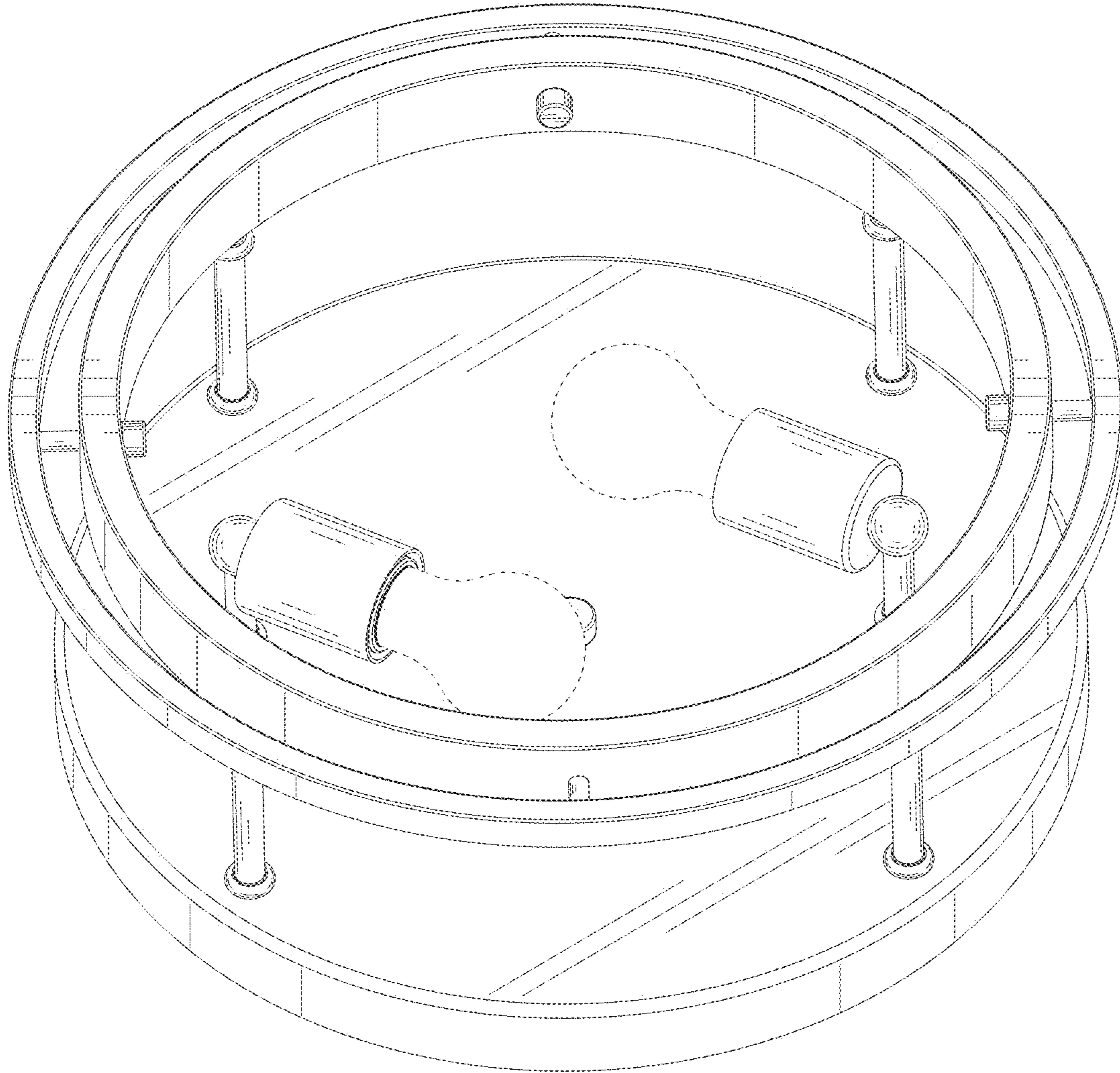


FIG. 1



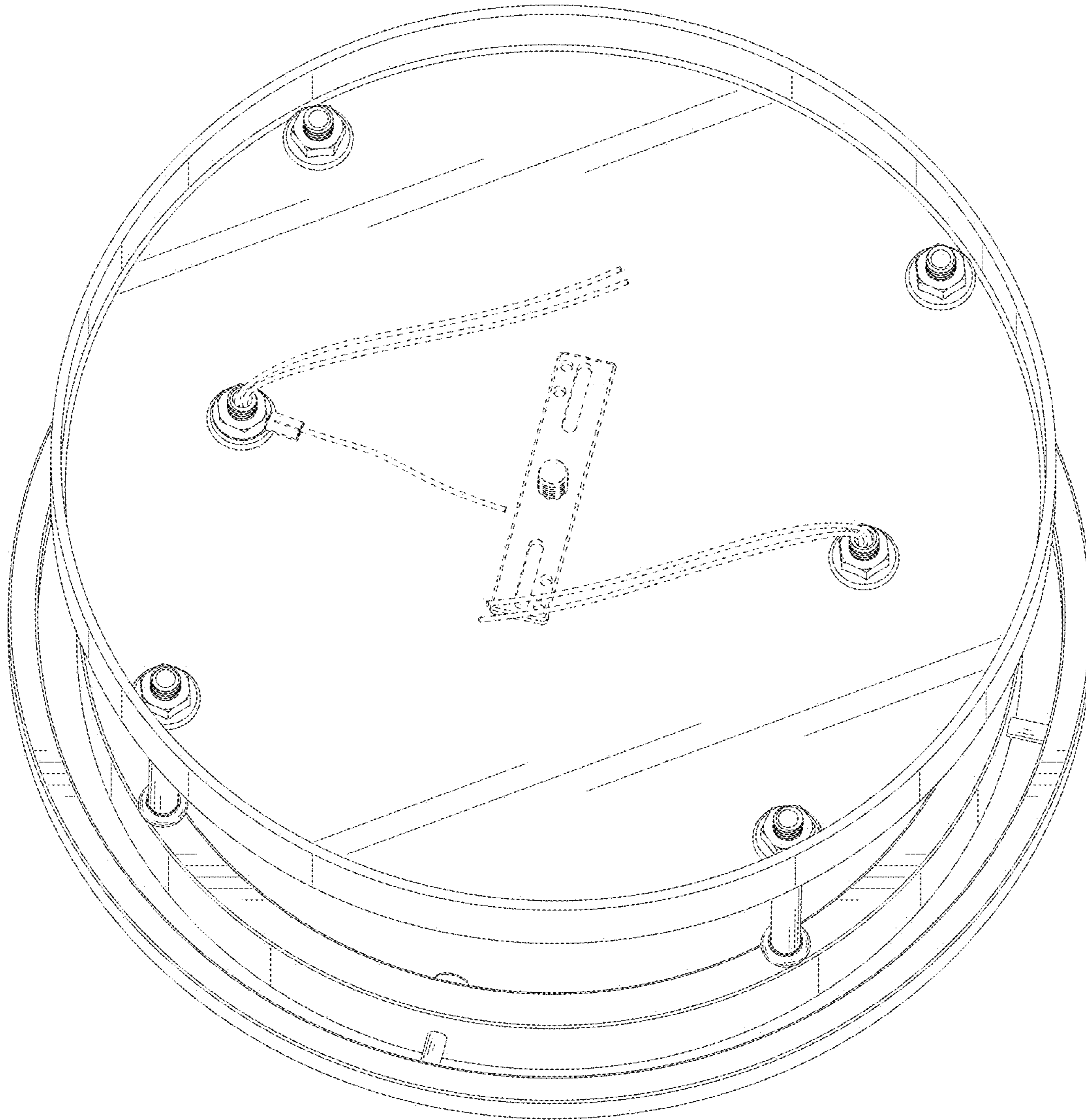


FIG. 2

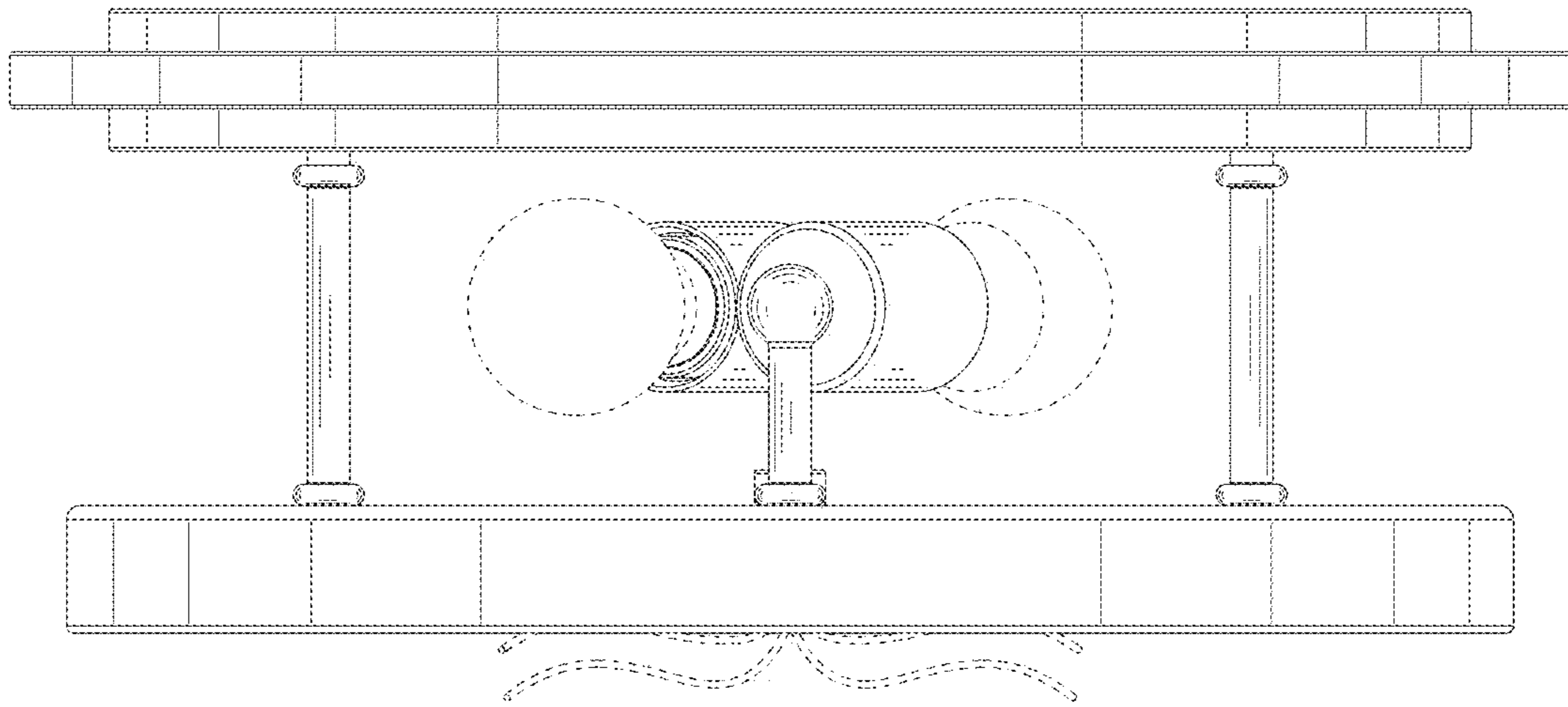


FIG. 3

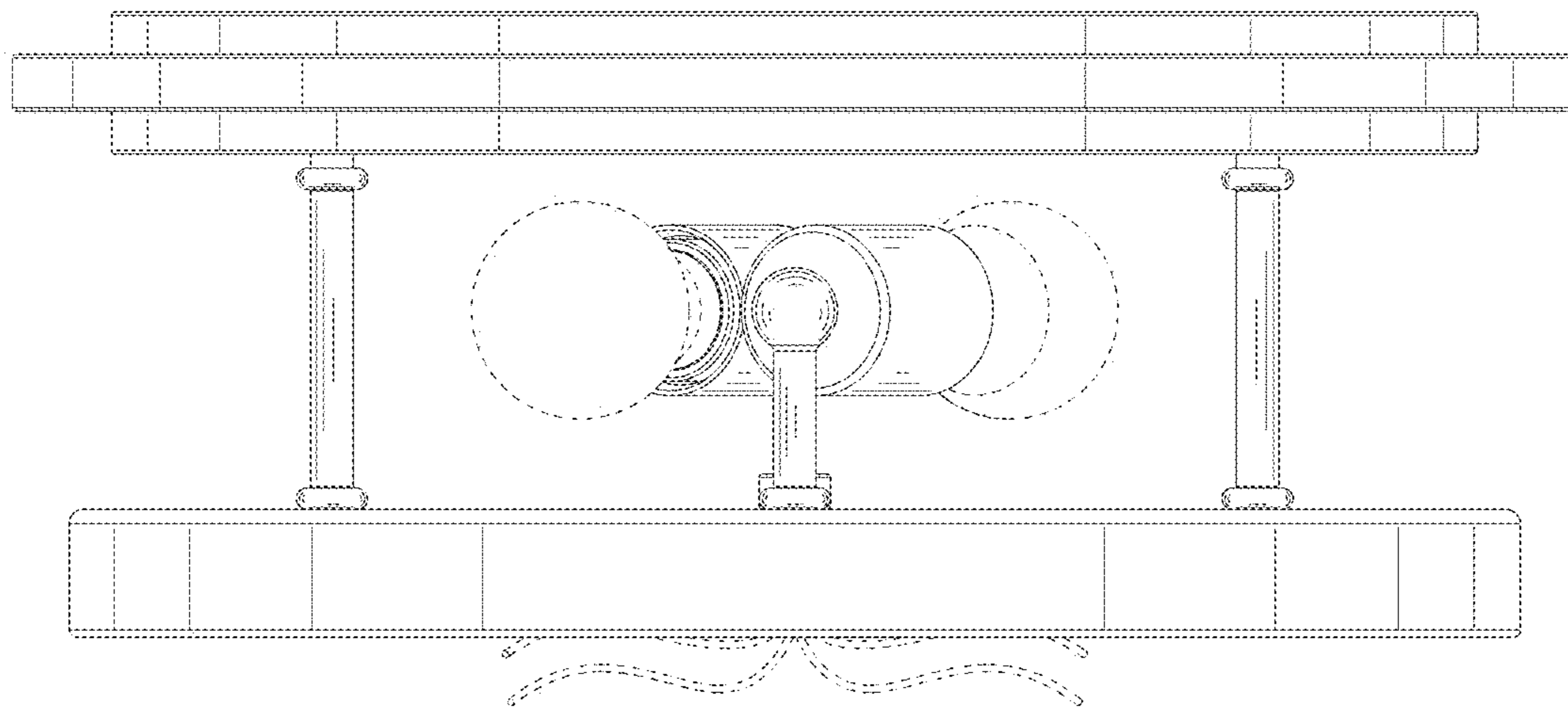


FIG. 4

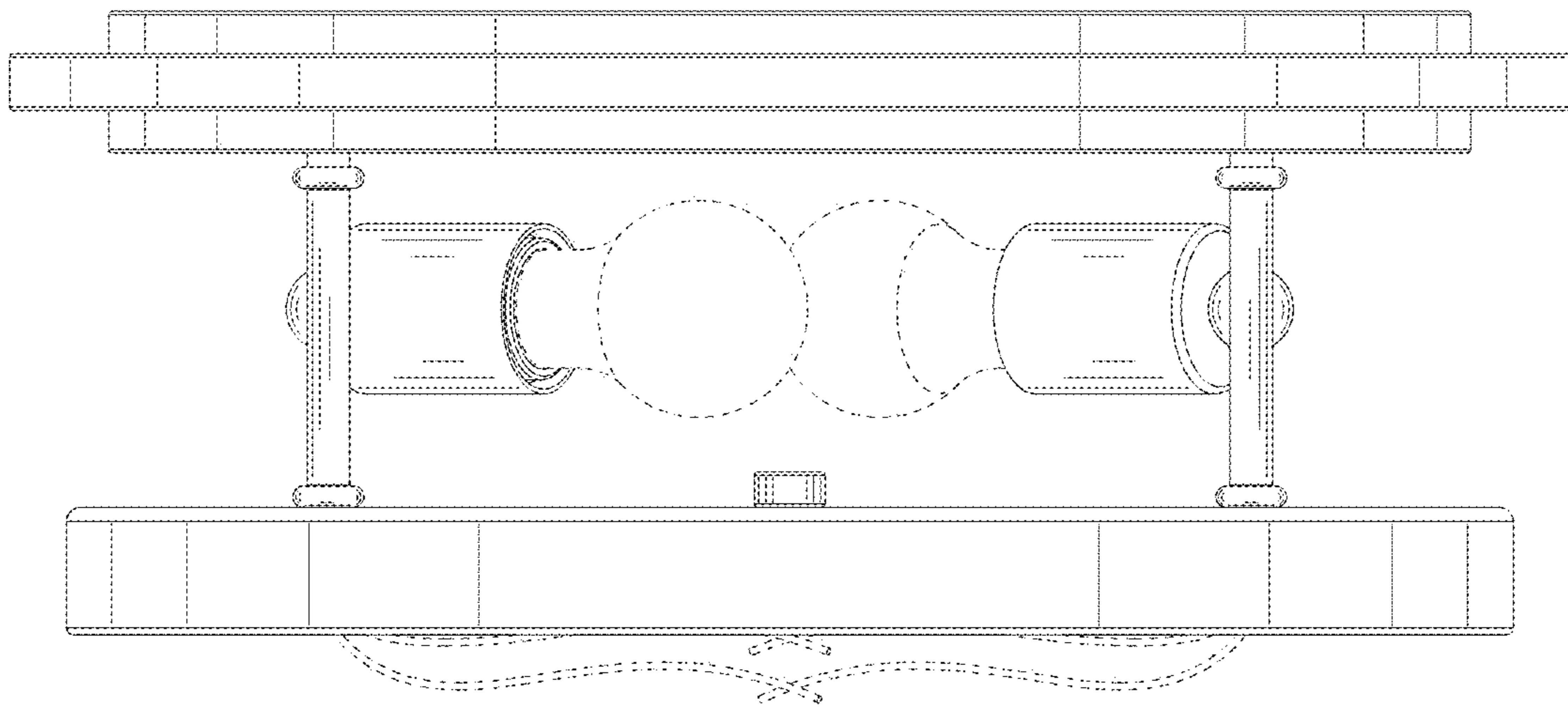


FIG. 5

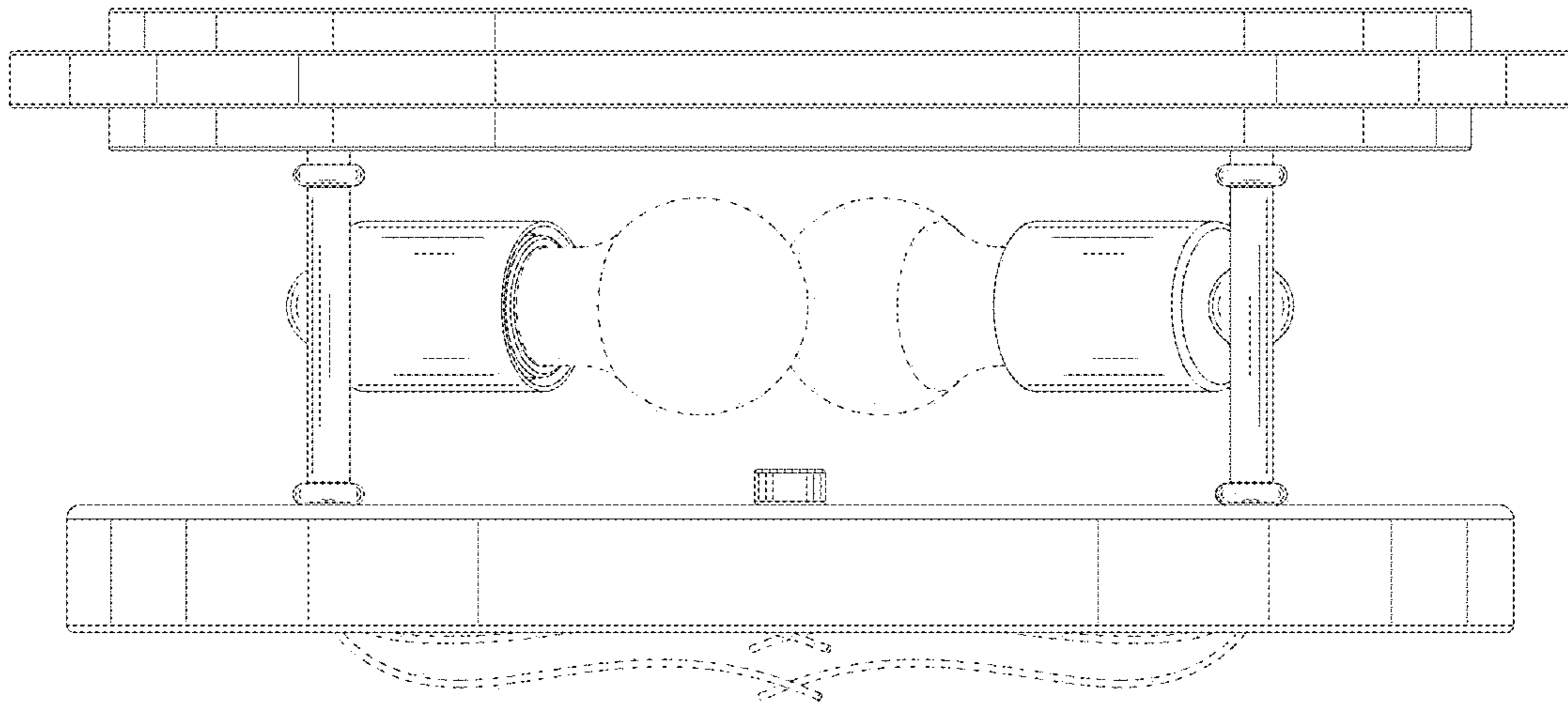


FIG. 6



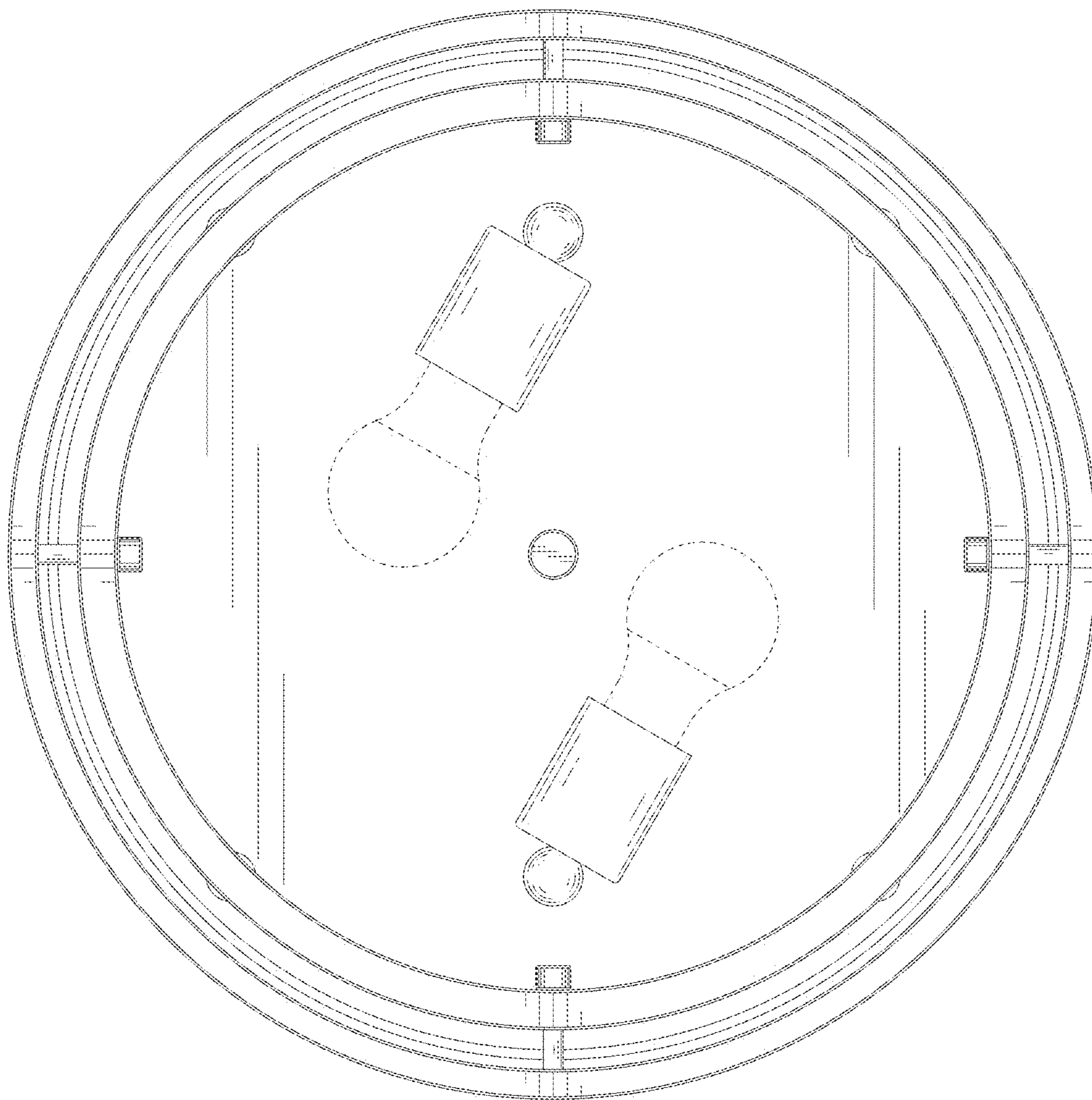


FIG. 7

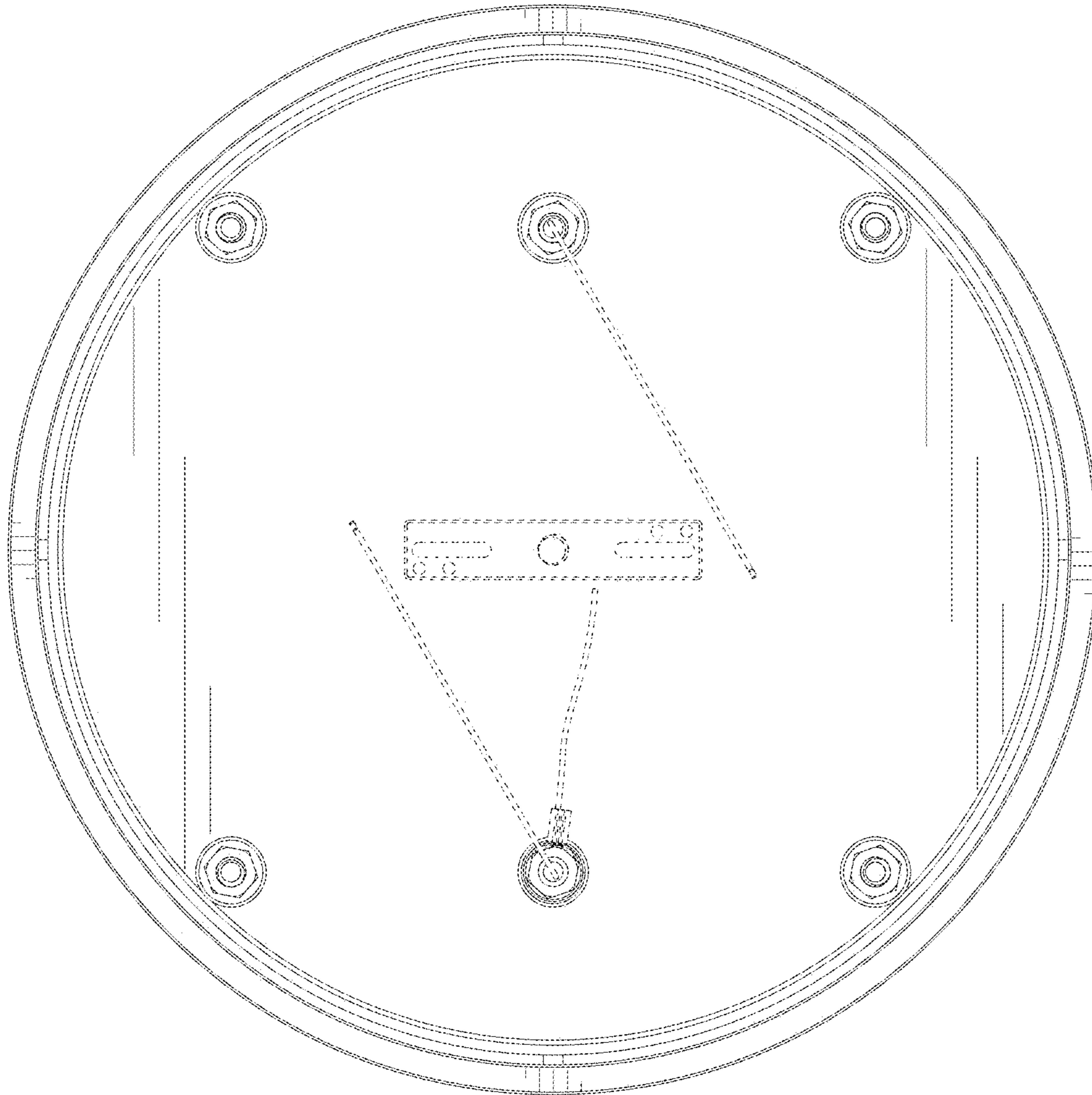


FIG. 8