



US00D970783S

(12) **United States Design Patent** (10) **Patent No.:** **US D970,783 S**
Liu (45) **Date of Patent:** **** Nov. 22, 2022**

(54) **LIGHT FIXTURE**

FOREIGN PATENT DOCUMENTS

(71) Applicant: **3L Trading Inc.**, Oakland, CA (US)

CN 304059667 * 2/2017
CN 305854773 * 6/2020
CN 306244154 * 12/2020

(72) Inventor: **Wenjie Liu**, Oakland, CA (US)

OTHER PUBLICATIONS

(**) Term: **15 Years**

Vivosun Patented Design VS4300 LED Grow Light, available in Amazon.com, date first available Aug. 20, 2020 [online], [site visited Jul. 19, 2022], Available from the internet URL: https://www.amazon.com/VIVOSUN-Patented-Foldable-Dimmable-Samsung/dp/B08D6L45FP/ref=psdc_14252941_t3_B08QF3KK57?th=1 (Year: 2020).*

(21) Appl. No.: **29/783,608**

(22) Filed: **May 13, 2021**

(51) **LOC (13) Cl.** **26-04**

(52) **U.S. Cl.**
USPC **D26/76**

* cited by examiner

(58) **Field of Classification Search**
USPC D26/24, 76, 77, 85, 113; 362/223, 220,
362/249.15

Primary Examiner — Brett Miller
Assistant Examiner — Jasmine L. Comedy
(74) *Attorney, Agent, or Firm* — Benjamin C. Rothermel, Esq.

CPC .. F21Y 2113/00; F21Y 2103/00; F21V 17/00;
F21S 8/04; F21S 4/28; D03D 9/00; H05B
45/20; A01G 7/045; A01G 9/249

(57) **CLAIM**

See application file for complete search history.

The ornamental design for a light fixture, as shown and described.

DESCRIPTION

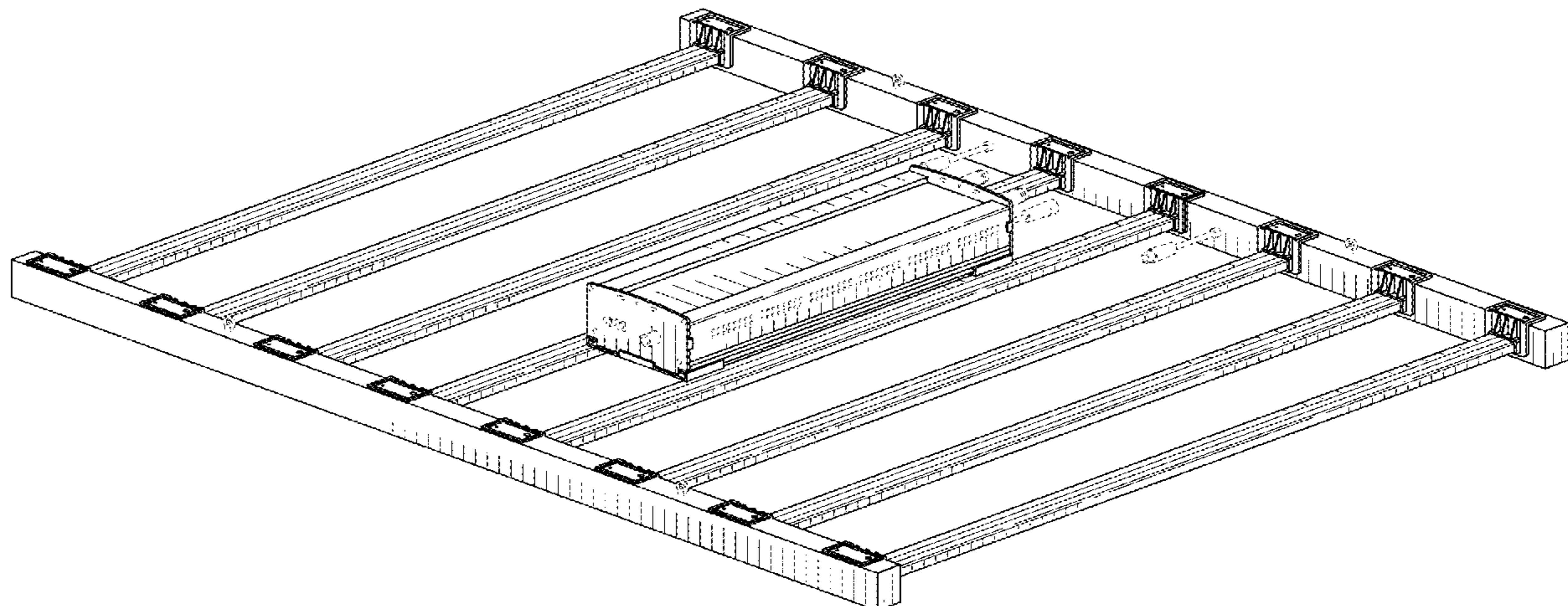
(56) **References Cited**

U.S. PATENT DOCUMENTS

D486,262 S * 2/2004 Chen D26/77
D609,386 S * 2/2010 Castelli D26/76
D804,077 S * 11/2017 Ma D26/76
D863,656 S * 10/2019 Klase D26/113
10,436,428 B2 * 10/2019 Duong F21V 29/74
D868,337 S * 11/2019 Deng D26/76
D881,440 S * 4/2020 Zhu D26/76
D910,898 S * 2/2021 Chen D26/76
2016/0003453 A1 * 1/2016 Klase F21S 4/28
362/220
2020/0053967 A1 * 2/2020 Murphy H05B 45/20

FIG. 1 is a Perspective View of a light fixture showing my new design;
FIG. 2 is a Front View thereof;
FIG. 3 is a Rear View thereof;
FIG. 4 is a First Side View thereof;
FIG. 5 is a Second Side View thereof;
FIG. 6 is a Top View thereof; and,
FIG. 7 is a Bottom View thereof.
The details shown in broken lines form no part of the claimed design.

1 Claim, 5 Drawing Sheets



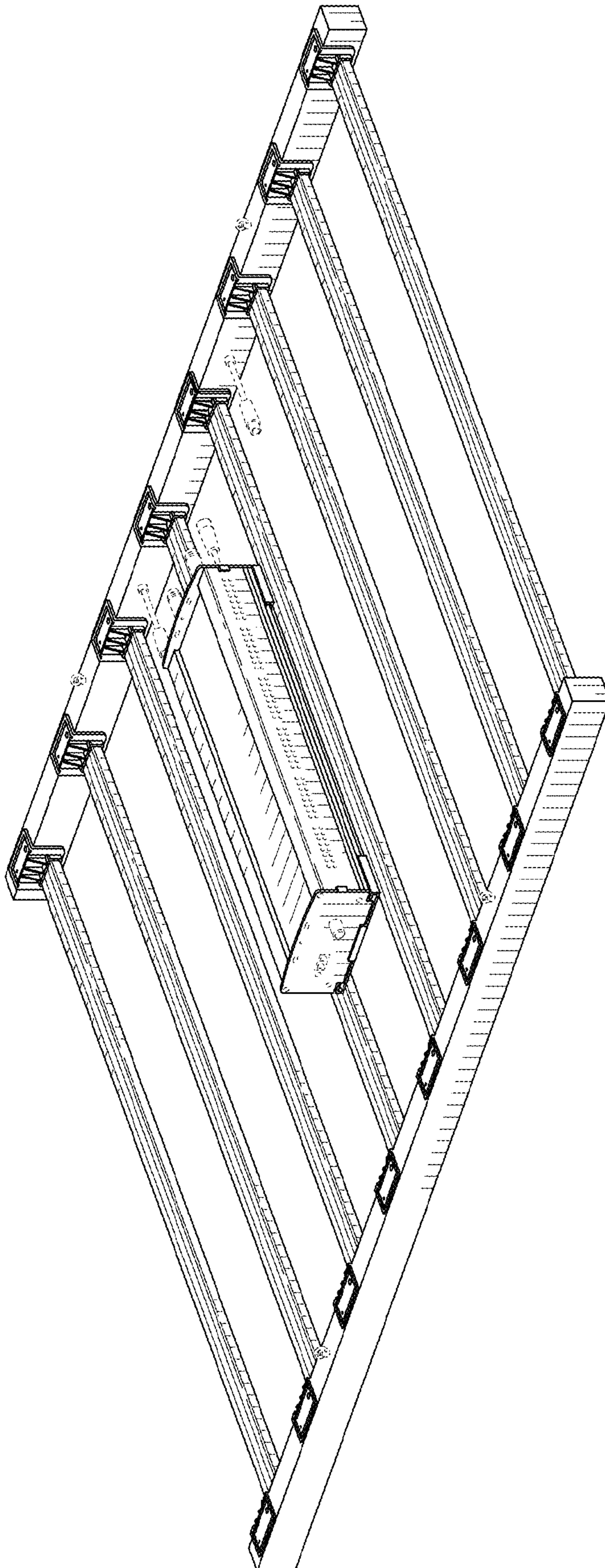


FIG. 1

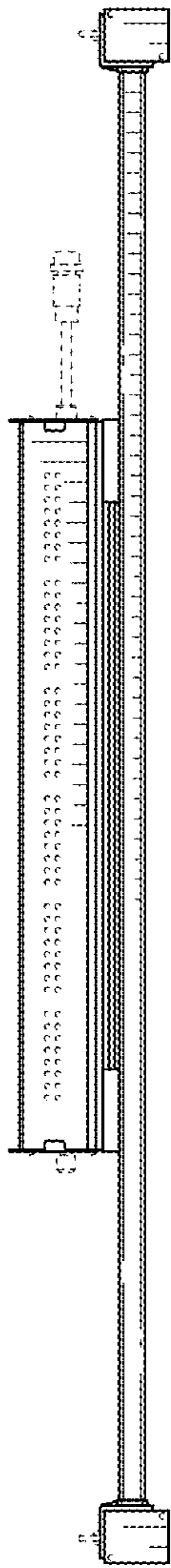


FIG. 2

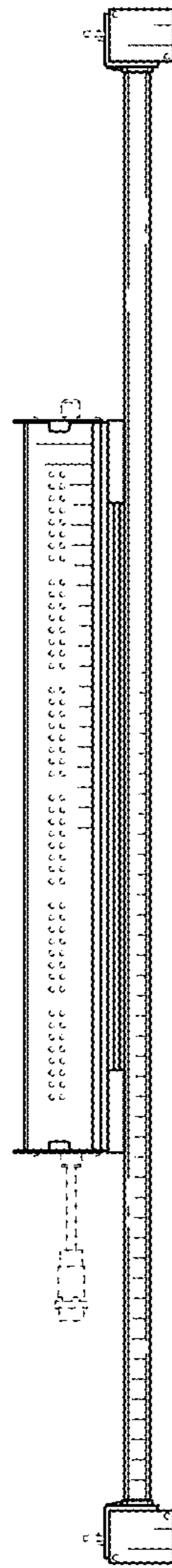


FIG. 3

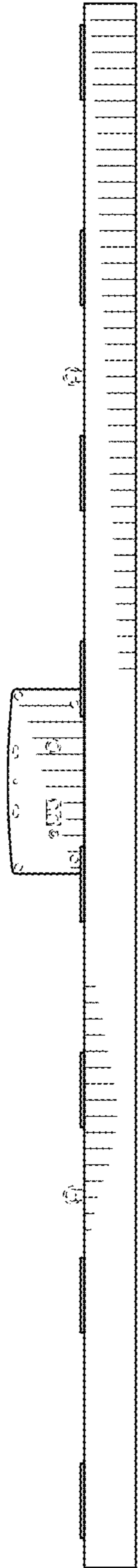


FIG. 4

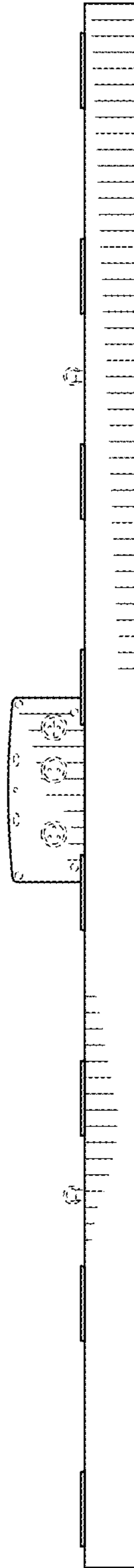


FIG. 5

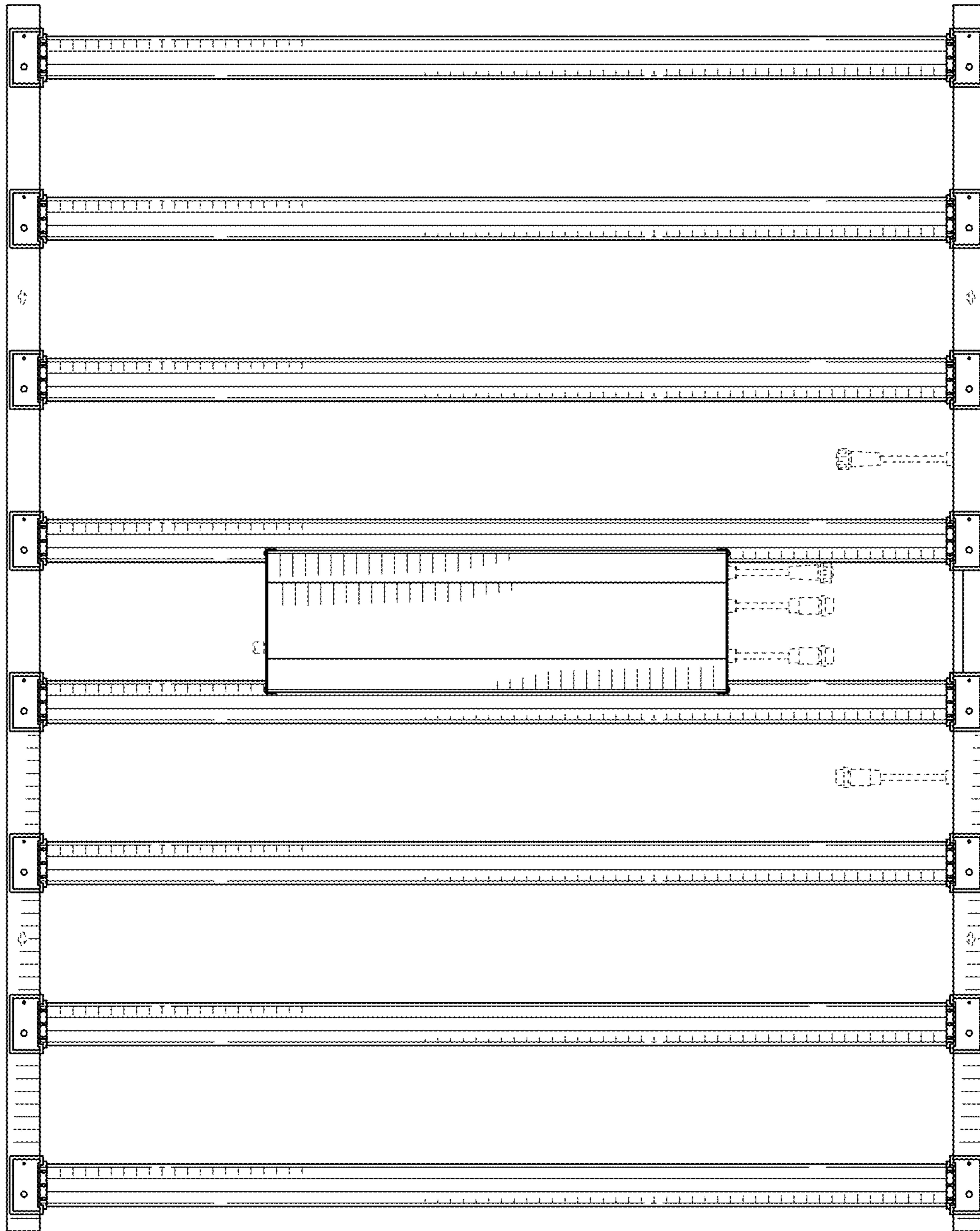


FIG. 6

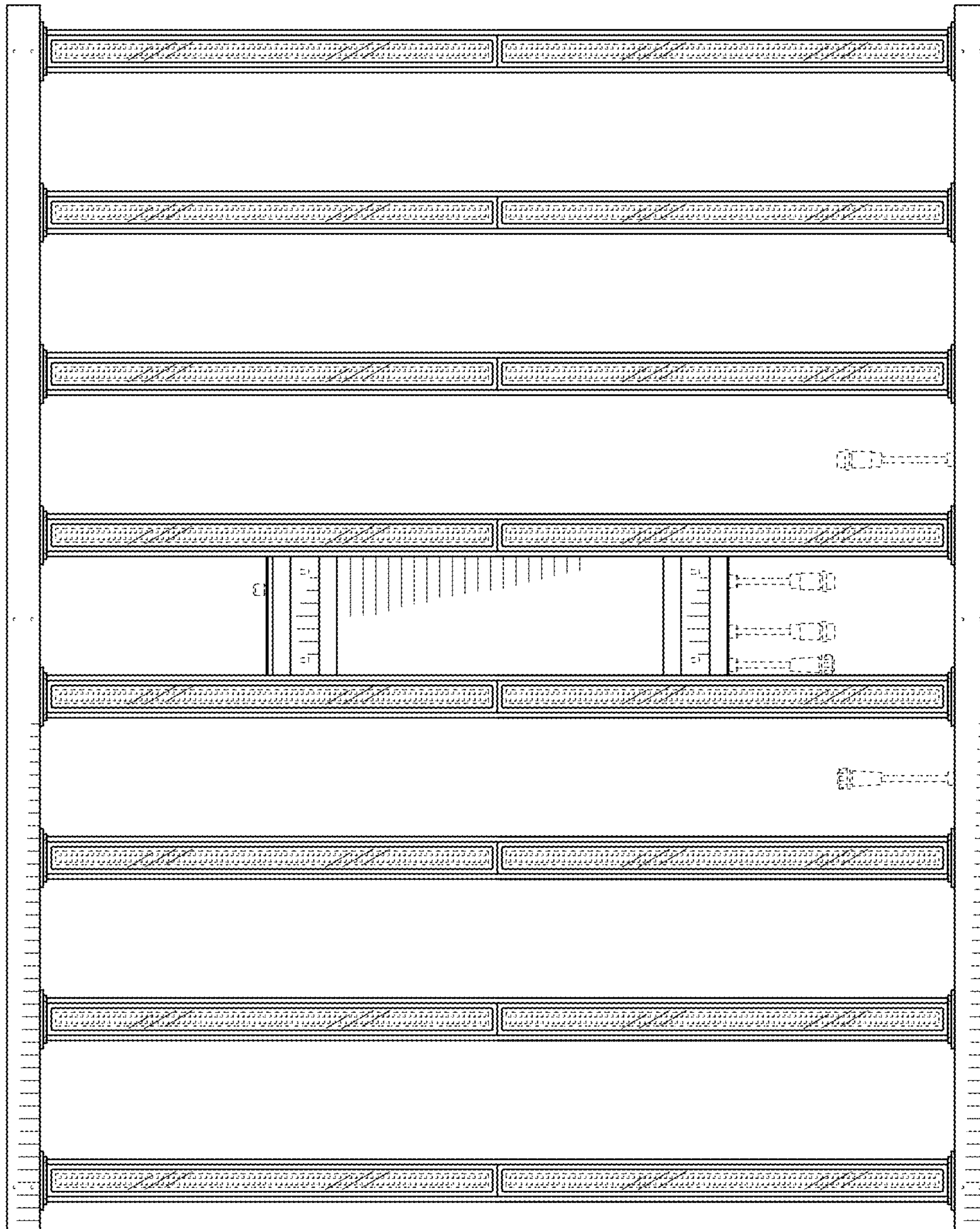


FIG. 7