



US00D970781S

(12) **United States Design Patent** (10) **Patent No.:** **US D970,781 S**
Perets (45) **Date of Patent:** **** Nov. 22, 2022**

(54) **OUTDOOR LANDSCAPE LAMP**
(71) Applicant: **Goshen Josh Perets**, Woodland Hills, CA (US)
(72) Inventor: **Goshen Josh Perets**, Woodland Hills, CA (US)
(**) Term: **15 Years**
(21) Appl. No.: **29/803,494**
(22) Filed: **Aug. 13, 2021**
(51) **LOC (13) Cl.** **26-05**
(52) **U.S. Cl.**
USPC **D26/74**
(58) **Field of Classification Search**
USPC D26/67-70, 74, 123-124
CPC . F21S 8/022; F21S 8/026; F21S 8/081; F21V 21/047; F21W 2111/023; F21W 2111/027; F21W 2131/107; F21W 2131/109
See application file for complete search history.

(56) **References Cited**

U.S. PATENT DOCUMENTS

D383,564 S *	9/1997	Lecluze	D26/118
D397,472 S *	8/1998	Lecluze	D26/118
D399,590 S *	10/1998	Lecluze	D26/118
D457,677 S *	5/2002	Landefeld	D26/67
D476,108 S *	6/2003	Lecluze	D26/74
D488,583 S *	4/2004	Benghozi	D26/118
D508,751 S *	8/2005	Rashidi	D26/74
D547,476 S	7/2007	Ertze		
D601,744 S *	10/2009	Sakuma	D26/89
D610,280 S *	2/2010	Hua	D26/74
D610,290 S *	2/2010	Yoshinobu	D26/74
D646,416 S *	10/2011	Wauters	D26/74
D663,880 S *	7/2012	Janssen	D26/74
D674,127 S *	1/2013	Rowlette, Jr.	D26/74
D691,321 S *	10/2013	Chen	D26/124
D693,046 S *	11/2013	Hokazono	D26/89
D698,061 S *	1/2014	Burke	D26/67

D698,070 S	1/2014	Messisaen	
D705,473 S	5/2014	Messisaen	
D712,082 S *	8/2014	Harpenau D26/74
D723,153 S *	2/2015	Borkholder D26/74
D767,194 S *	9/2016	Lee D26/74
D808,058 S *	1/2018	Johnson D26/74
D840,077 S	2/2019	Holmes	

(Continued)

OTHER PUBLICATIONS

LUMENGY, In-Ground Lights. First available Jul. 30, 2021. Searched Jun. 22, 2022. [https://www.amazon.com/LUMENGY-Landscape-Low-Voltage-Waterproof-Underground/dp/B09QX55KH3/] (Year: 2021).*

(Continued)

Primary Examiner — W. A. Teddy Falloway
Assistant Examiner — Melissa Adriane Santos
(74) *Attorney, Agent, or Firm* — Barry Choobin; Patent 360

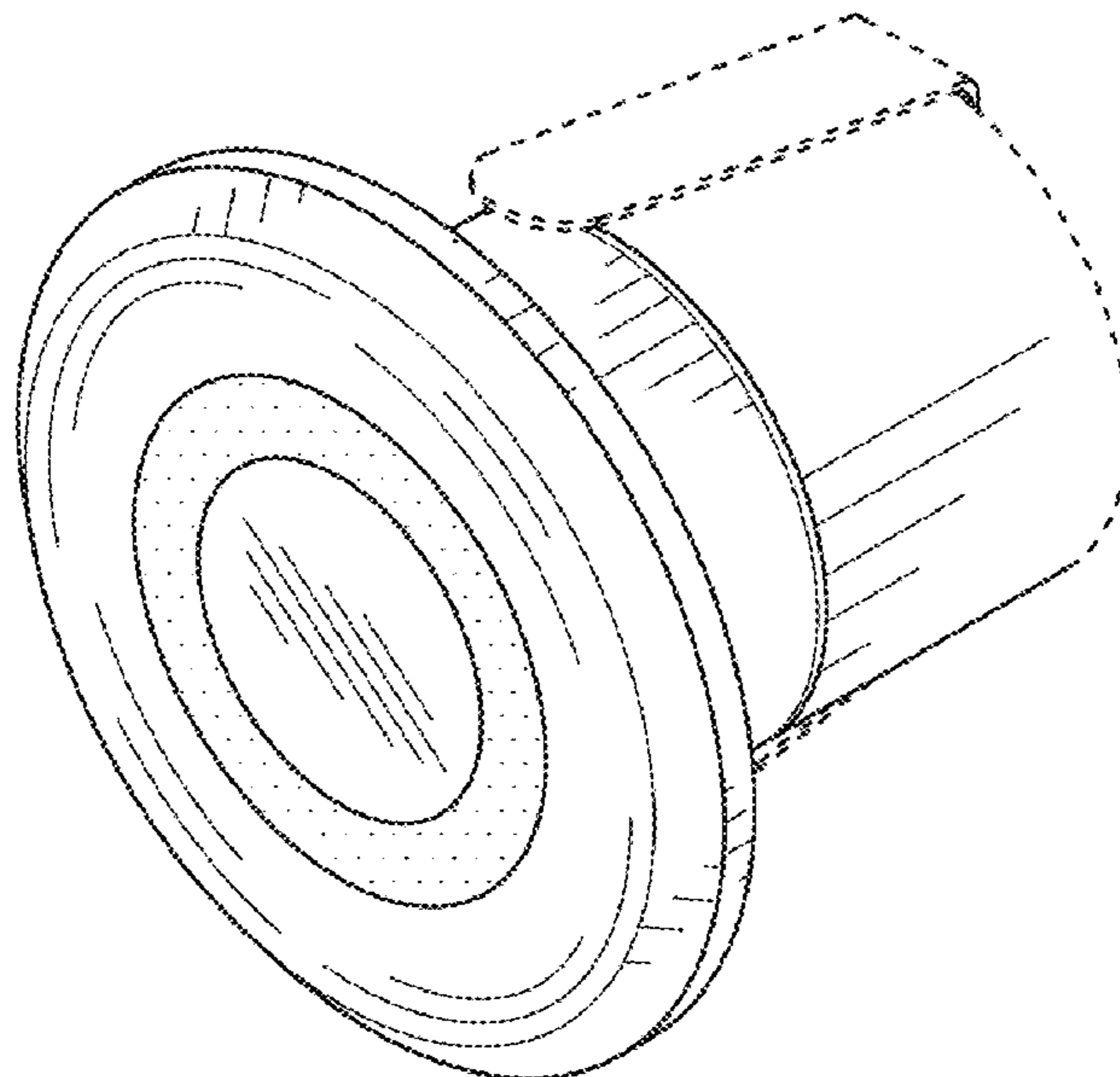
(57) **CLAIM**

The ornamental design for an outdoor landscape lamp, as shown and described.

DESCRIPTION

FIG. 1 is a perspective view of an outdoor landscape lamp, showing my new design;
FIG. 2 is a front view thereof;
FIG. 3 is a rear view thereof;
FIG. 4 is a right-side view thereof;
FIG. 5 is a left-side view thereof;
FIG. 6 is a top view thereof; and,
FIG. 7 is a bottom view thereof.
The broken lines illustrate portions of the outdoor landscape lamp that form no part of the claimed design. Areas illustrated in stippling indicate a contrast in appearance.

1 Claim, 4 Drawing Sheets



(56)

References Cited

U.S. PATENT DOCUMENTS

D850,695 S * 6/2019 Dabiet F21S 8/02
D26/74
D855,861 S * 8/2019 Perrone D26/74
D861,218 S * 9/2019 Yang
D866,040 S * 11/2019 Wu D26/74
D866,839 S * 11/2019 Yan D26/67
D867,645 S * 11/2019 Ye D26/74
D873,471 S * 1/2020 Nielsen
D878,652 S * 3/2020 McRoberts
D884,249 S * 5/2020 Mei D26/74
D894,458 S * 8/2020 Holmes
D920,563 S * 5/2021 Xie et al.
D940,374 S * 1/2022 Chen D26/74
D942,666 S * 2/2022 Ou Yang D26/74
D942,667 S * 2/2022 Ou Yang D26/74
D942,668 S * 2/2022 Ou Yang D26/74
D944,437 S * 2/2022 Yuan D26/74
D946,807 S * 3/2022 Hoshi D26/74

OTHER PUBLICATIONS

CISLAN, LED Well Lights. First available Jun. 15, 2021. Searched Jun. 22, 2022. [<https://www.amazon.com/CISLAN-Landscape-Waterproof-House%E2%8C%8CWarm-Pieces%E2%8C%88Champagne%E2%8C%89/dp/B09794N9KB/>] (Year: 2021).*

LEONLITE, Well Lights. First available Dec. 28, 2018. Searched Jun. 22, 2022. [<https://www.amazon.com/dp/B07MB1N6Q2/>] (Year: 2018).*

BDSHL, LED In-Ground Well Light. First available unknown. Searched Jun. 22, 2022. [<https://www.amazon.com/BDSHL-Ground-Waterproof-Underground-Lightings/dp/B09N6PNZZZ/>] (Year: 2022).*

* cited by examiner

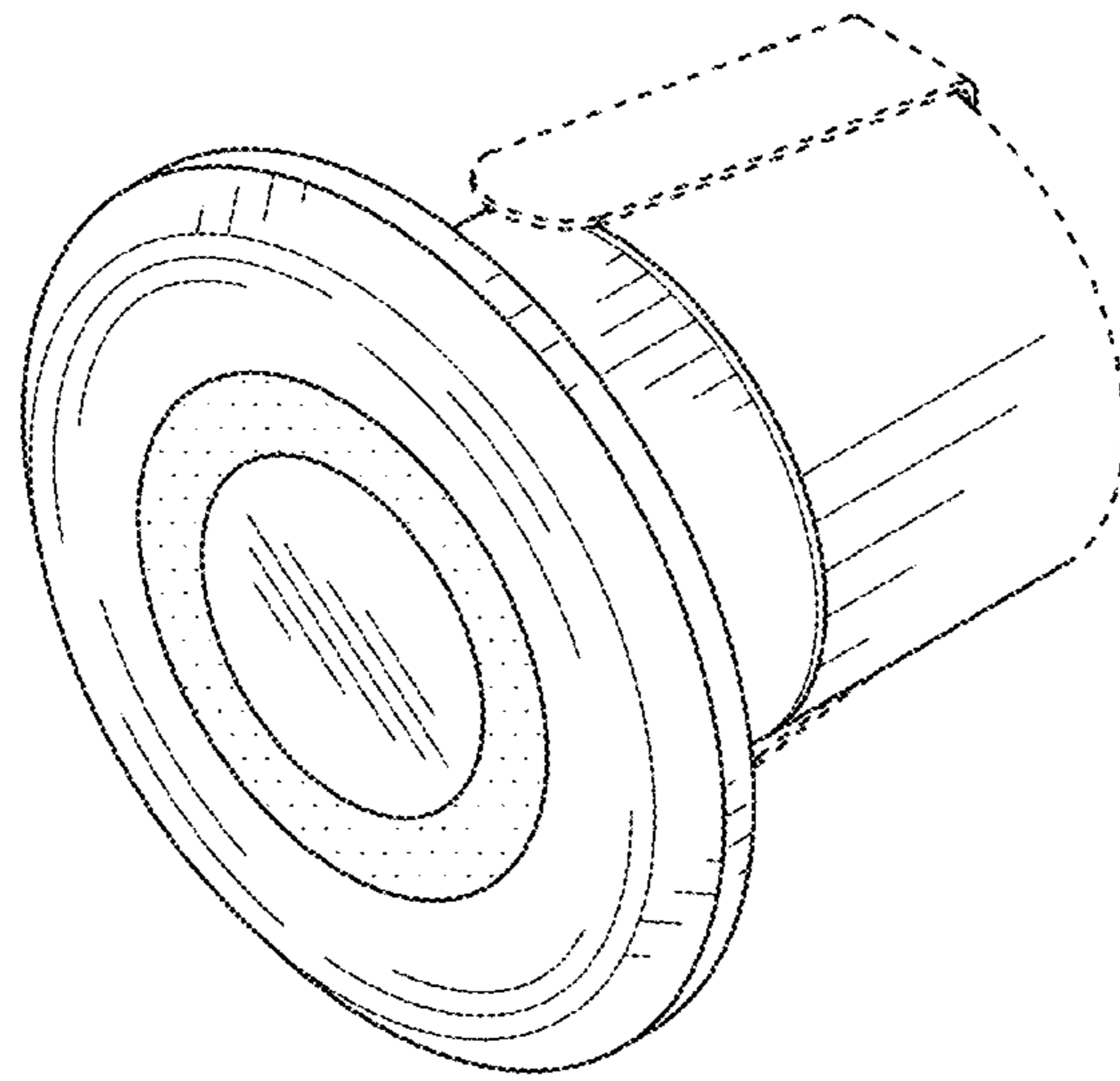


FIG. 1

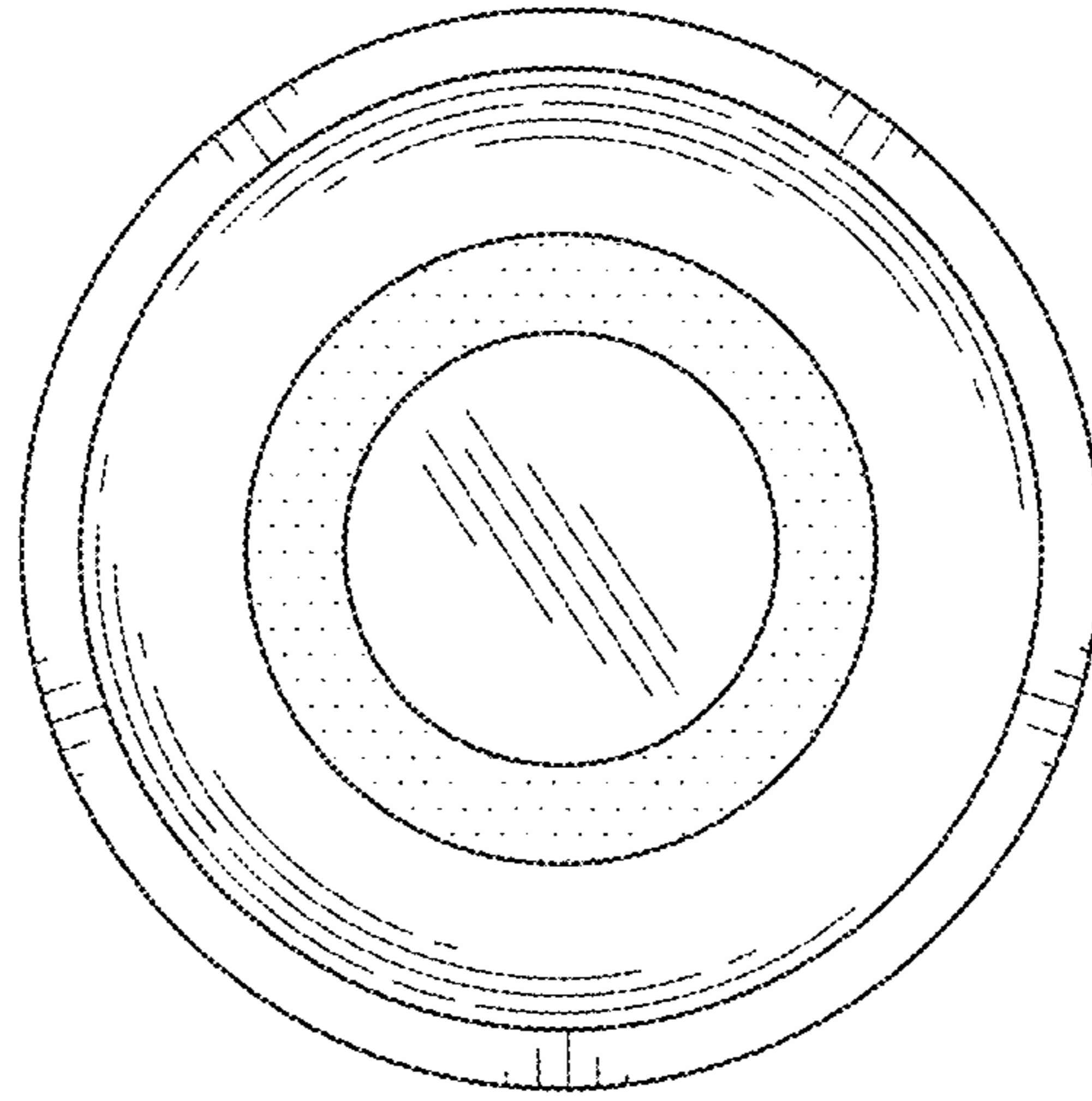


FIG. 2

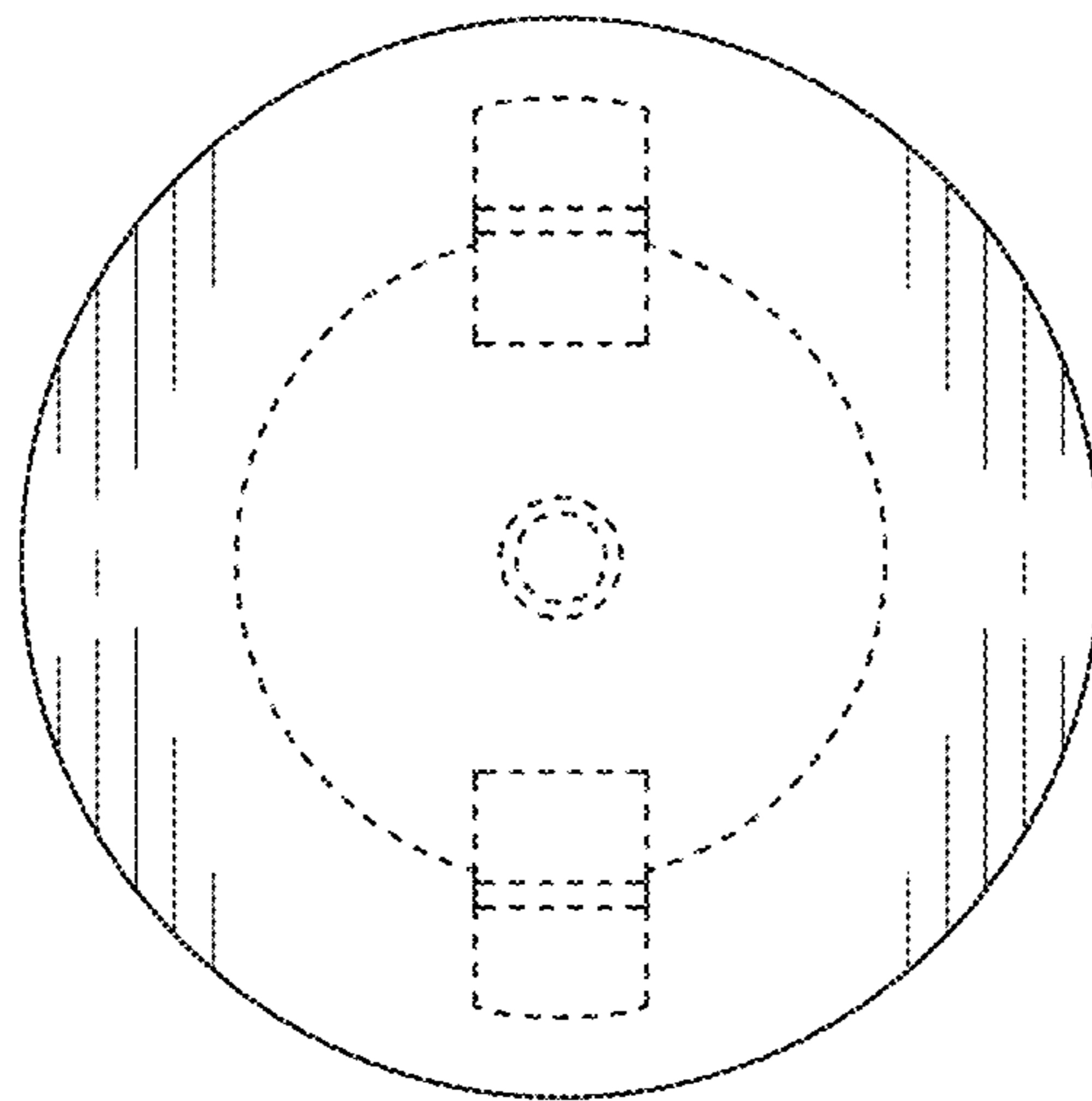


FIG. 3

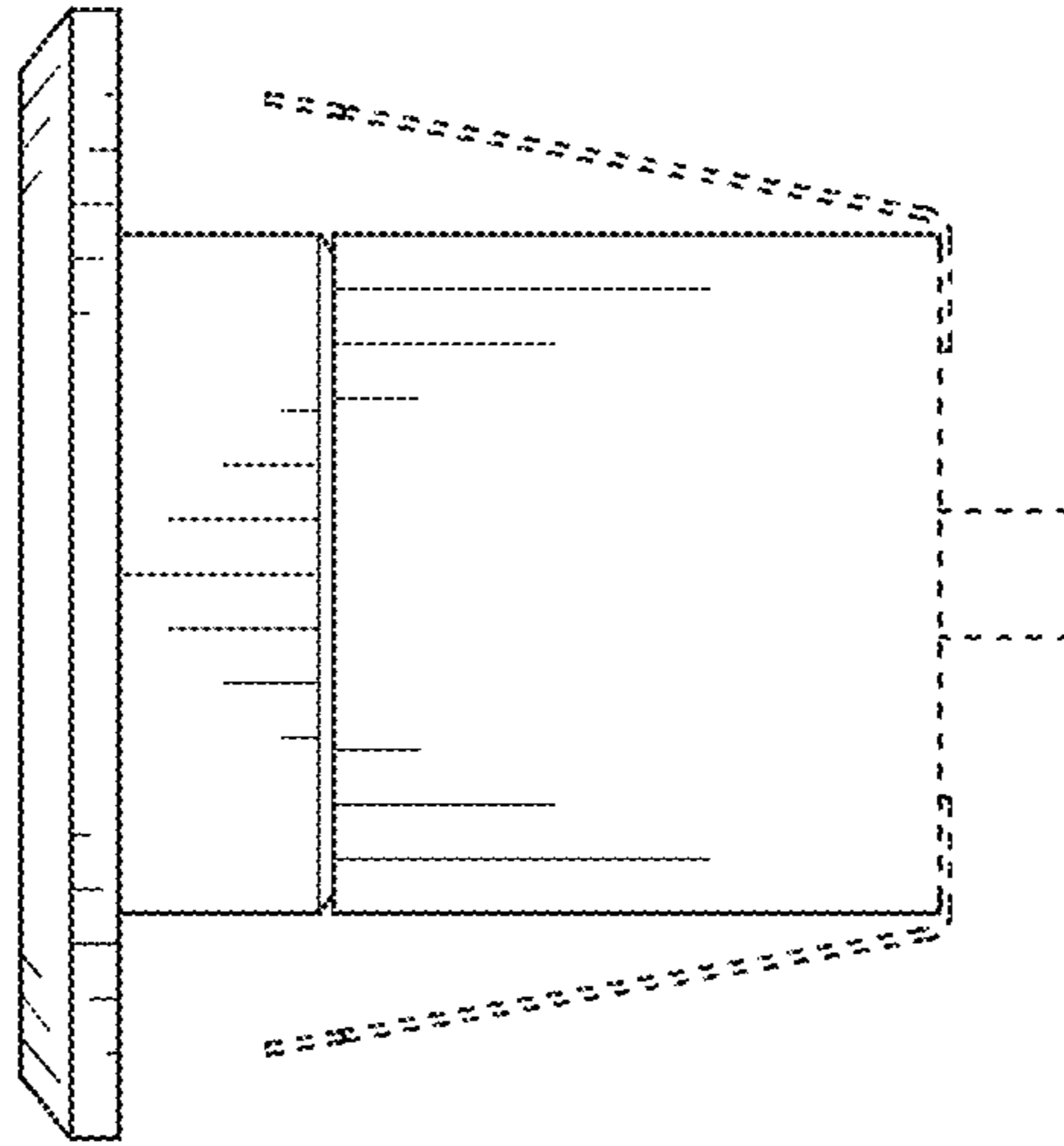


FIG. 4

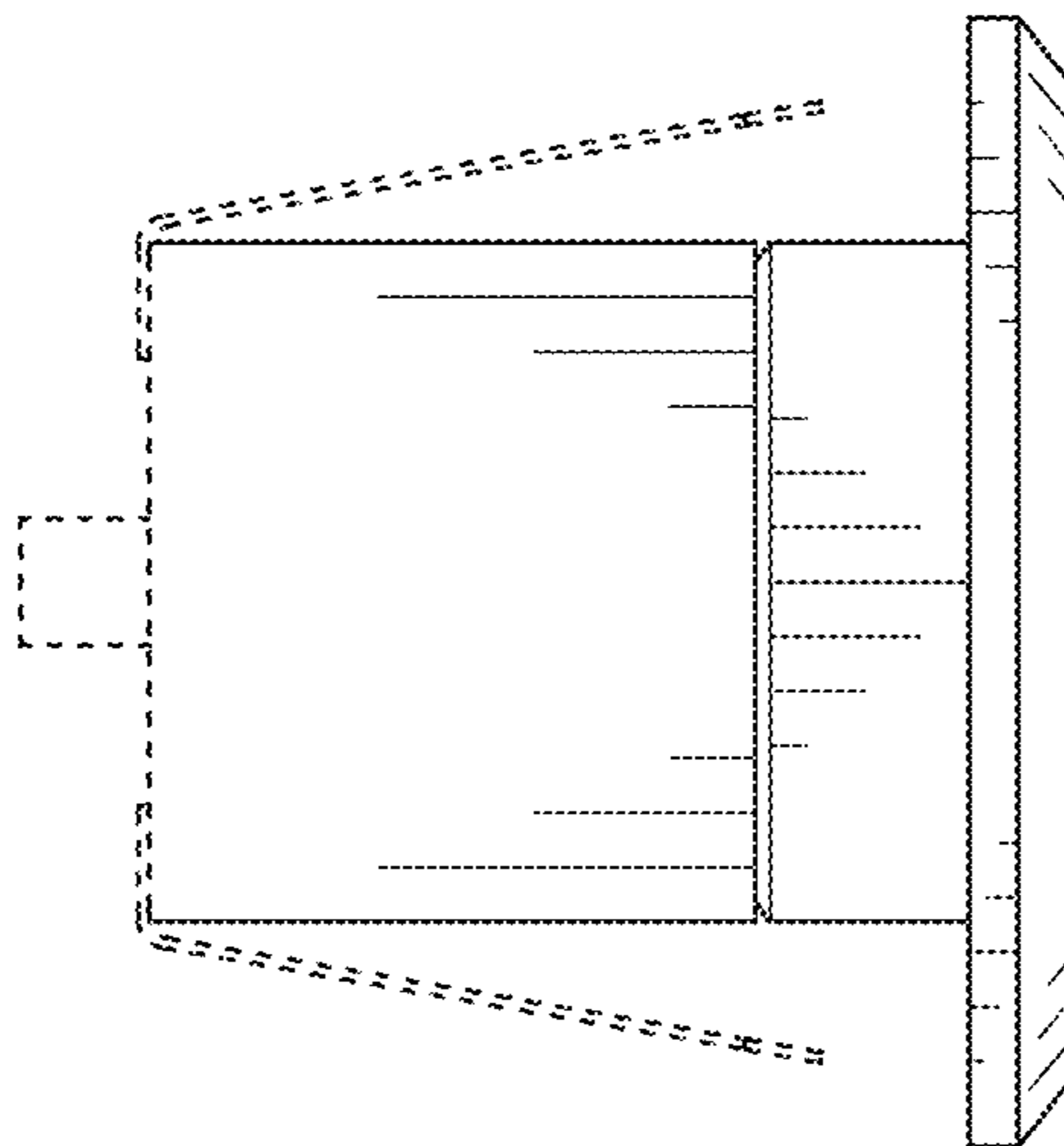


FIG. 5

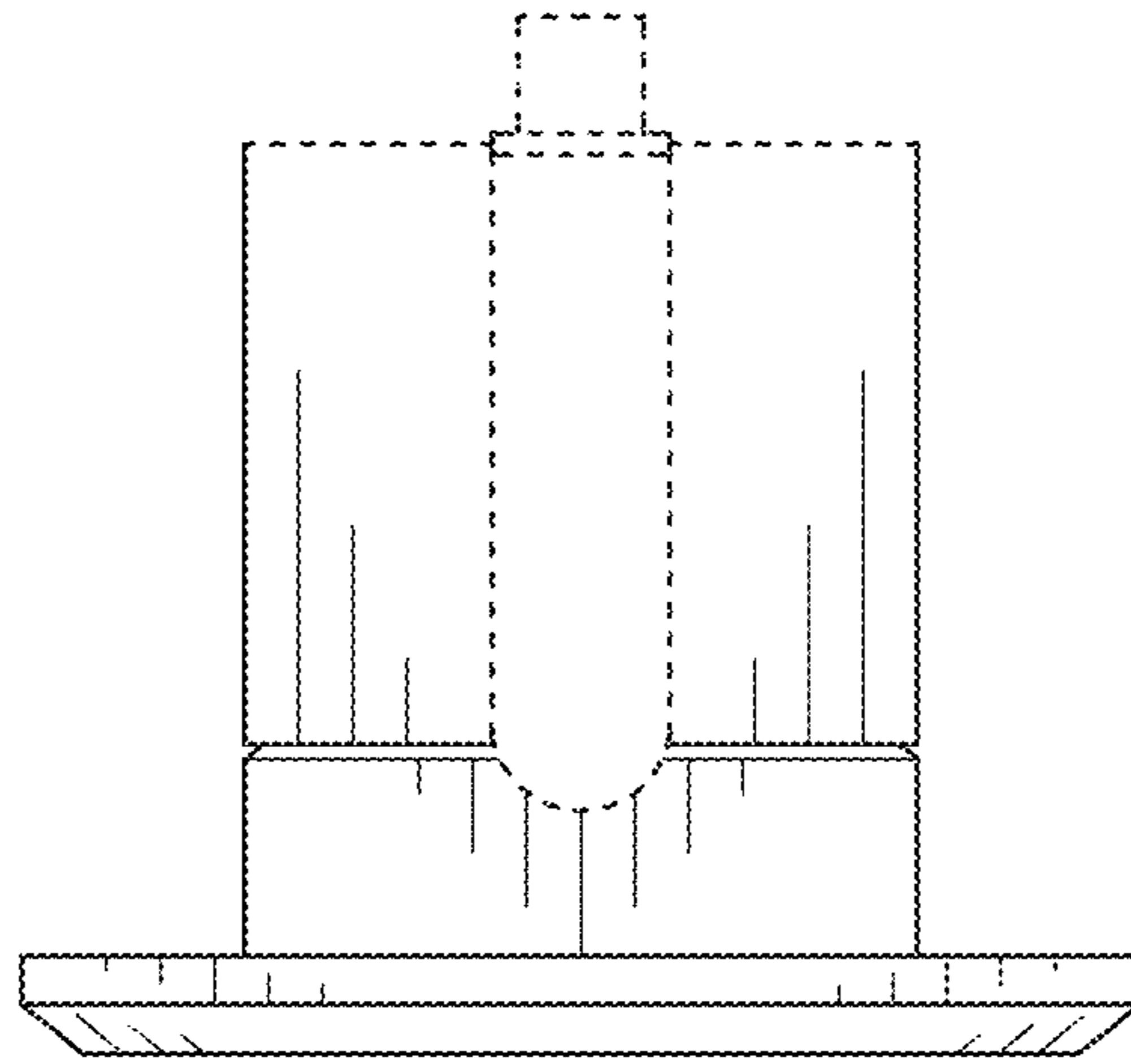


FIG. 6

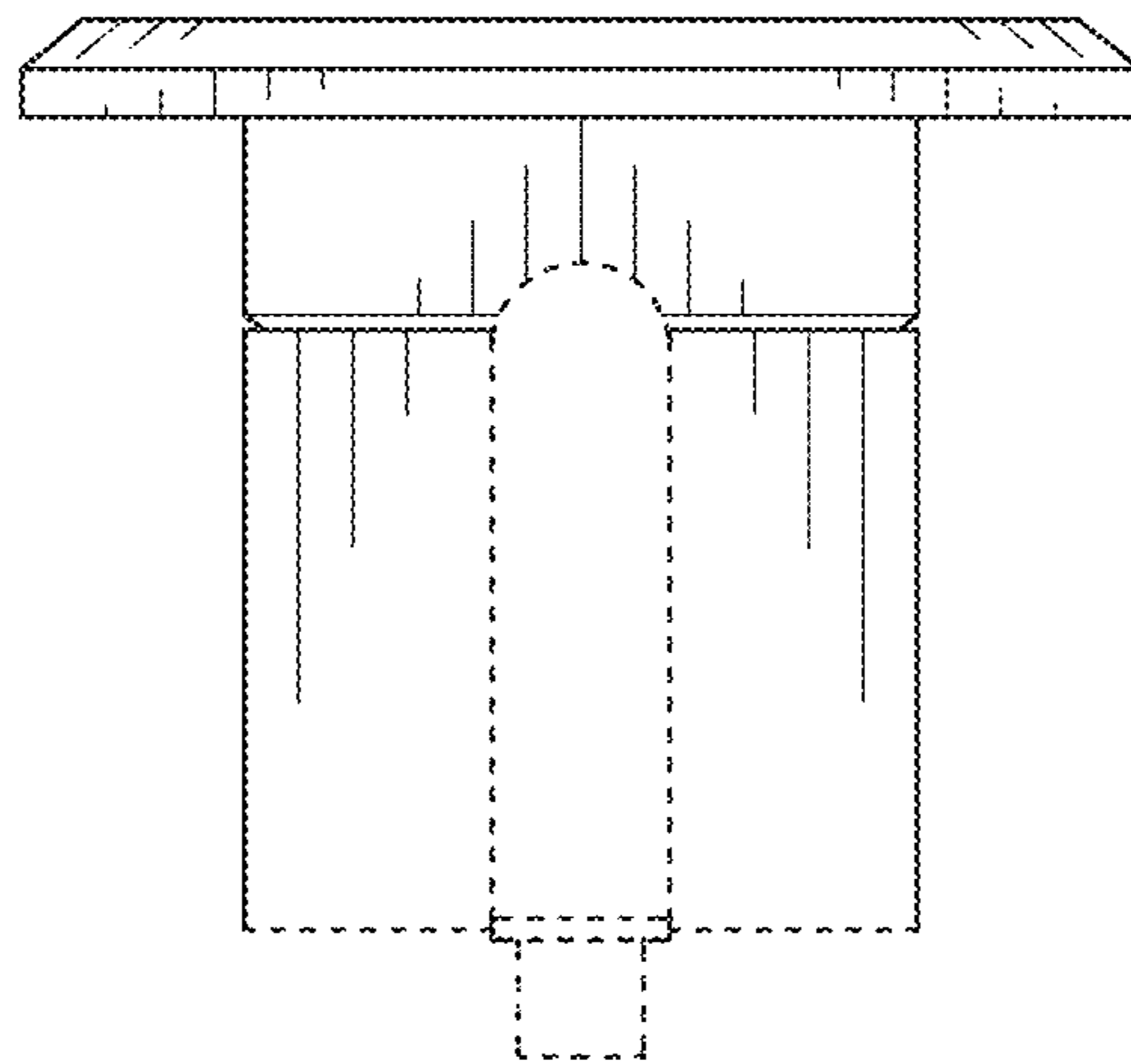


FIG. 7