



US00D970778S

(12) **United States Design Patent**
Qu

(10) **Patent No.:** **US D970,778 S**

(45) **Date of Patent:** **** Nov. 22, 2022**

(54) **PLANT GROWING LIGHT**

(71) Applicant: **Shenzhen IGS Electronics Co., Ltd.**,
Shenzhen (CN)

(72) Inventor: **Zhaoshu Qu**, Shenzhen (CN)

(**) Term: **15 Years**

(21) Appl. No.: **29/846,388**

(22) Filed: **Jul. 15, 2022**

(51) **LOC (13) Cl.** **26-05**

(52) **U.S. Cl.**
USPC **D26/67; D11/144**

(58) **Field of Classification Search**
USPC D26/40, 41, 67-70, 85, 91, 55, 60;
D11/144, 155

CPC F21S 6/00; F21S 6/002; F21S 6/003; F21S
6/005; F21S 6/006; F21S 6/008

See application file for complete search history.

(56) **References Cited**

U.S. PATENT DOCUMENTS

| | | | | |
|----------------|---------|-------------|-------|----------------------|
| D604,197 S * | 11/2009 | Bissonnette | | D11/144 |
| 8,261,486 B2 * | 9/2012 | Bissonnette | | A01G 27/003 47/79 |
| D888,603 S * | 6/2020 | Tong | | D11/144 |
| D924,724 S * | 7/2021 | Li | | D11/155 |
| D932,346 S * | 10/2021 | Song | | D11/156 |
| D949,049 S | 4/2022 | Lin | | |
| D951,131 S * | 5/2022 | Qu | | D11/144 |
| D951,135 S * | 5/2022 | Lin | | D11/155 |

| | | | | |
|-------------------|---------|------|-------|-------------|
| D958,440 S * | 7/2022 | Chen | | D26/93 |
| D961,450 S * | 8/2022 | Kim | | D11/155 |
| 2020/0344965 A1 * | 11/2020 | Song | | G06T 7/0004 |

* cited by examiner

Primary Examiner — Keli L Hill

Assistant Examiner — Harold E Blackwell, II

(74) *Attorney, Agent, or Firm* — Daniel M. Cohn;
Howard M. Cohn

(57) **CLAIM**

The ornamental design for a plant growing light, as shown and described.

DESCRIPTION

FIG. 1 is a perspective view of a plant growing light showing my new design;

FIG. 2 is another perspective view thereof;

FIG. 3 is a front elevational view thereof;

FIG. 4 is a rear elevational view thereof;

FIG. 5 is a left side elevational view thereof;

FIG. 6 is a right side elevational view thereof;

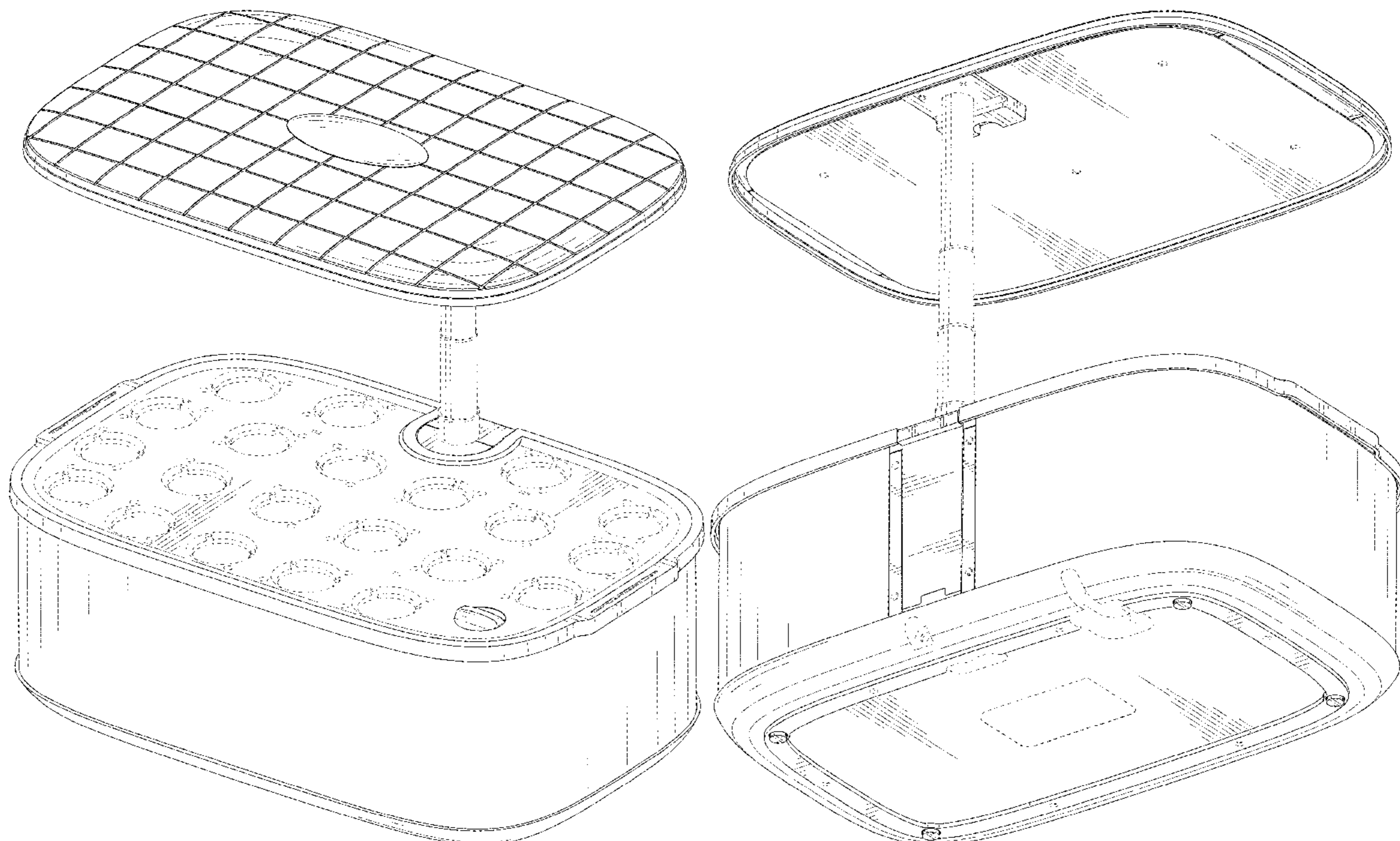
FIG. 7 is a top plan view thereof;

FIG. 8 is a bottom plan view thereof; and,

FIG. 9 is a perspective view of the plant growing light where the plant growing light is in a configuration of use.

The dash-dash broken lines in the drawings depict portions of the plant growing light that form no part of the claimed design.

1 Claim, 9 Drawing Sheets



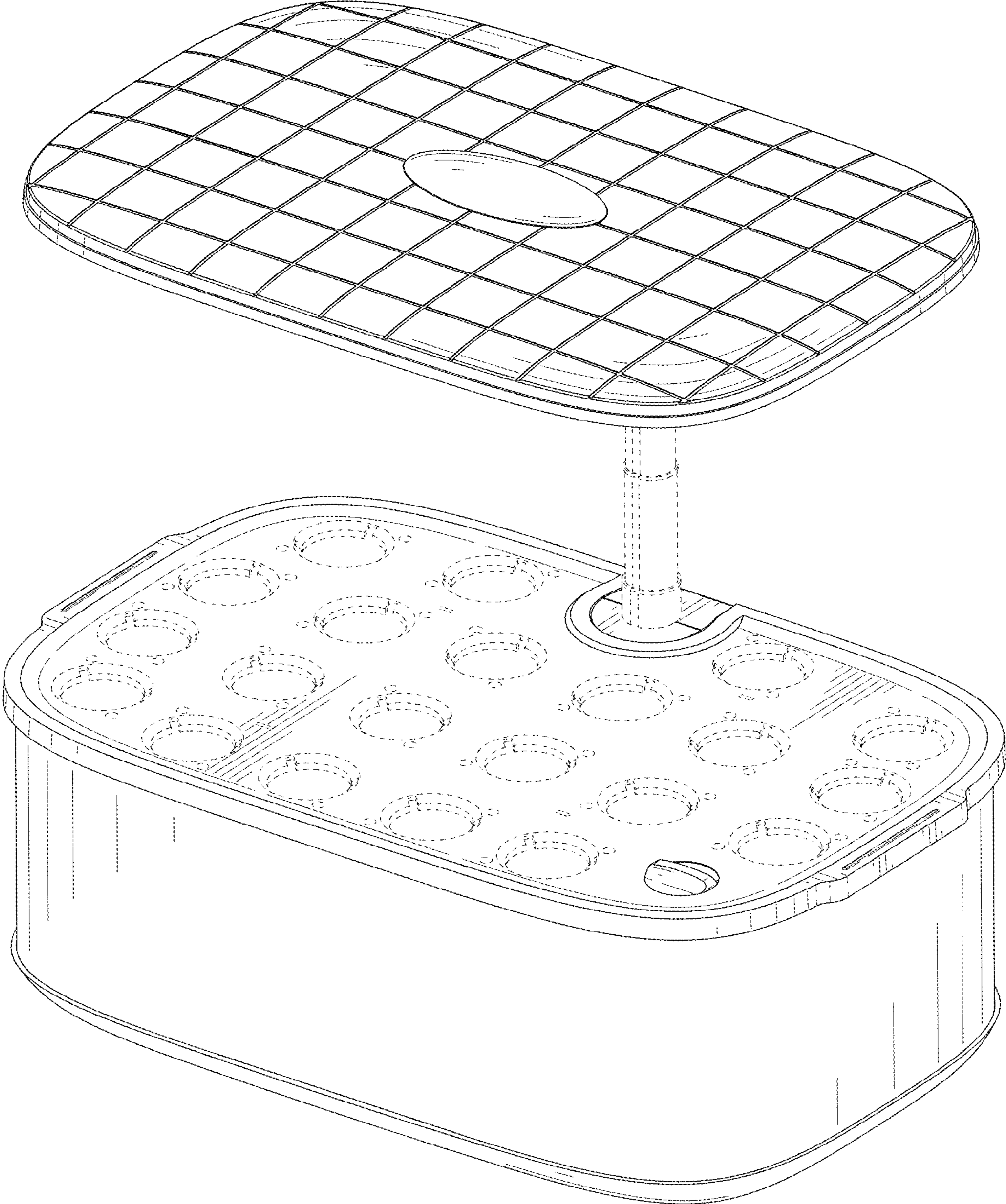


FIG. 1

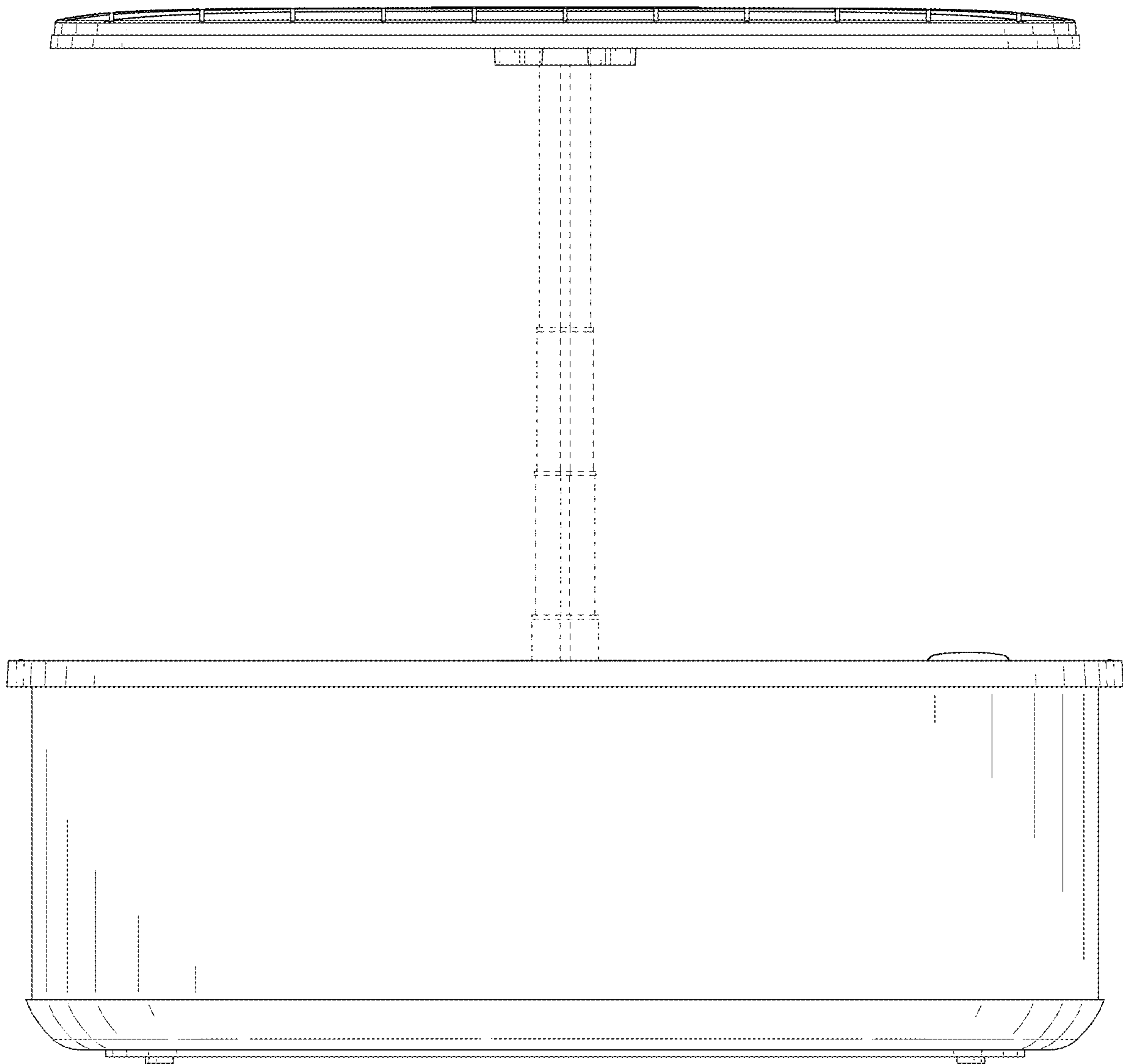


FIG. 3

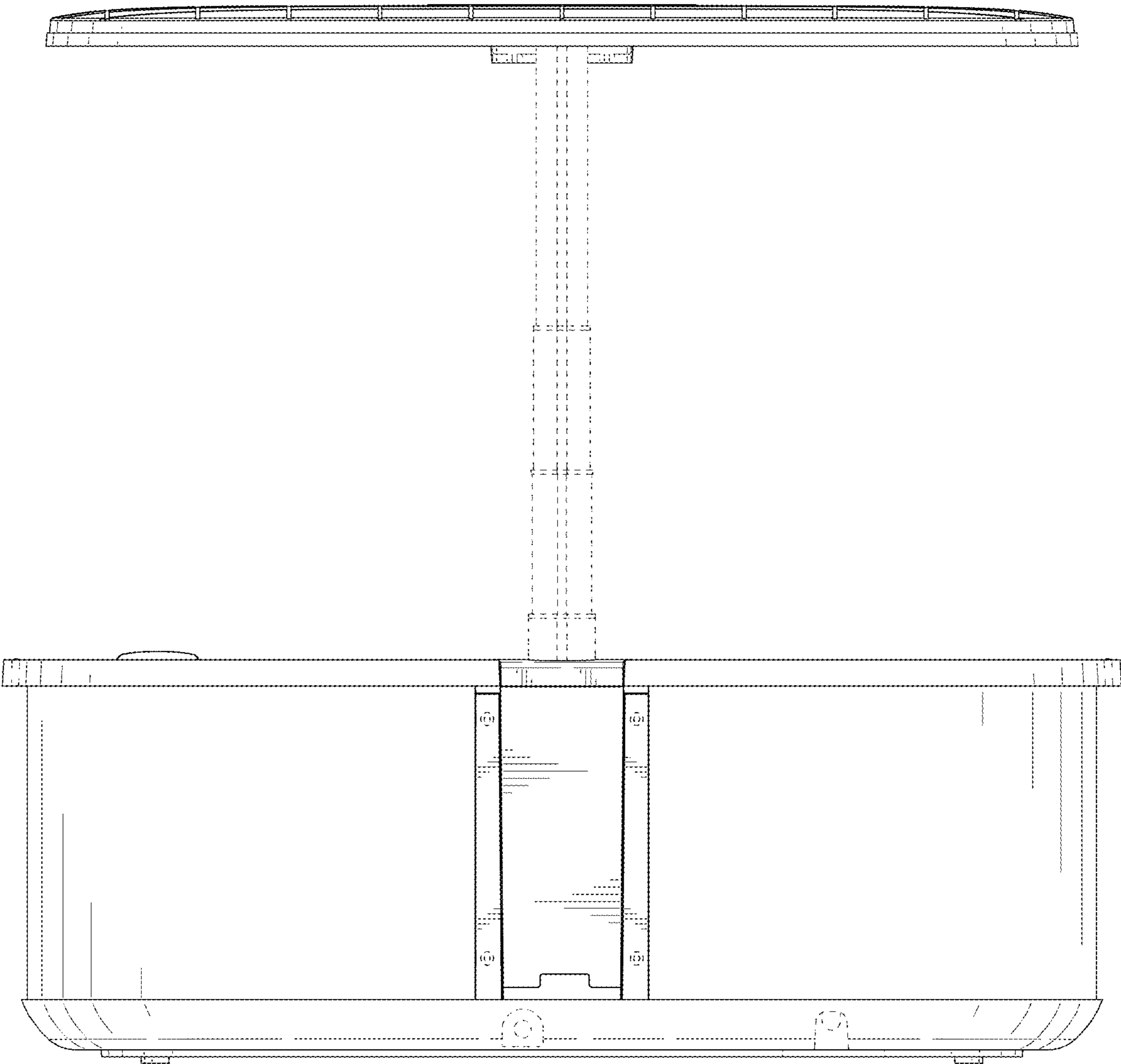


FIG. 4

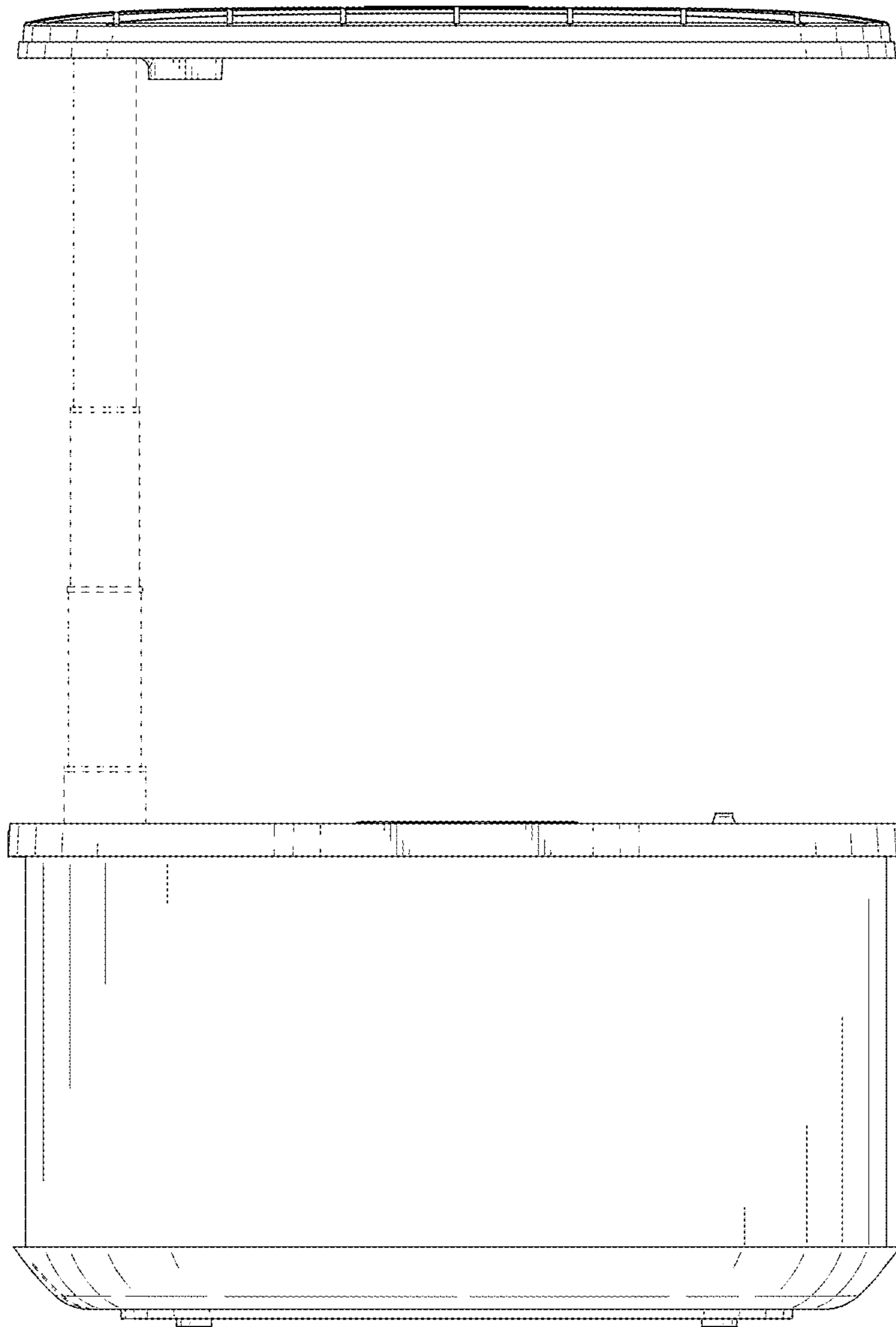


FIG. 5

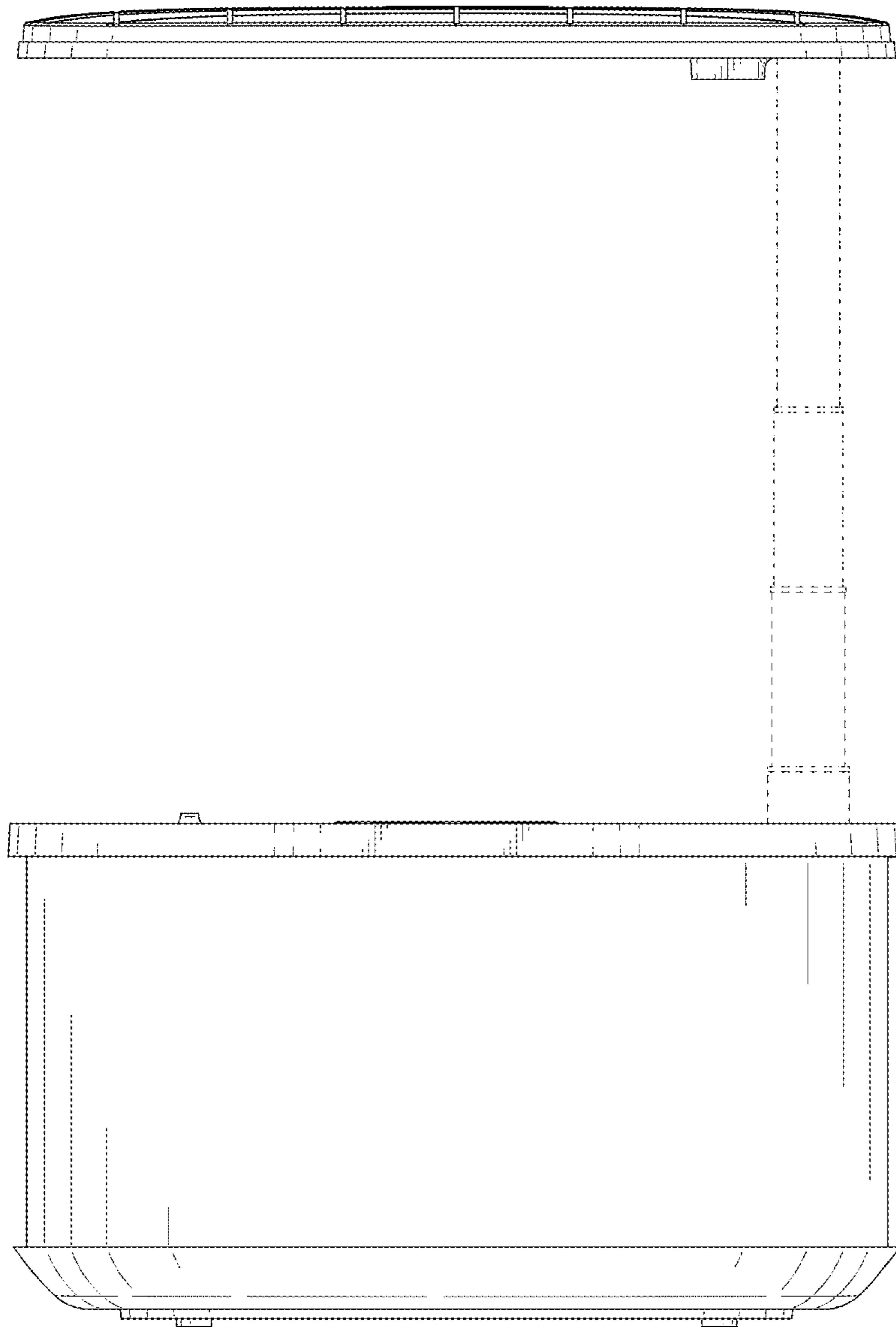


FIG. 6

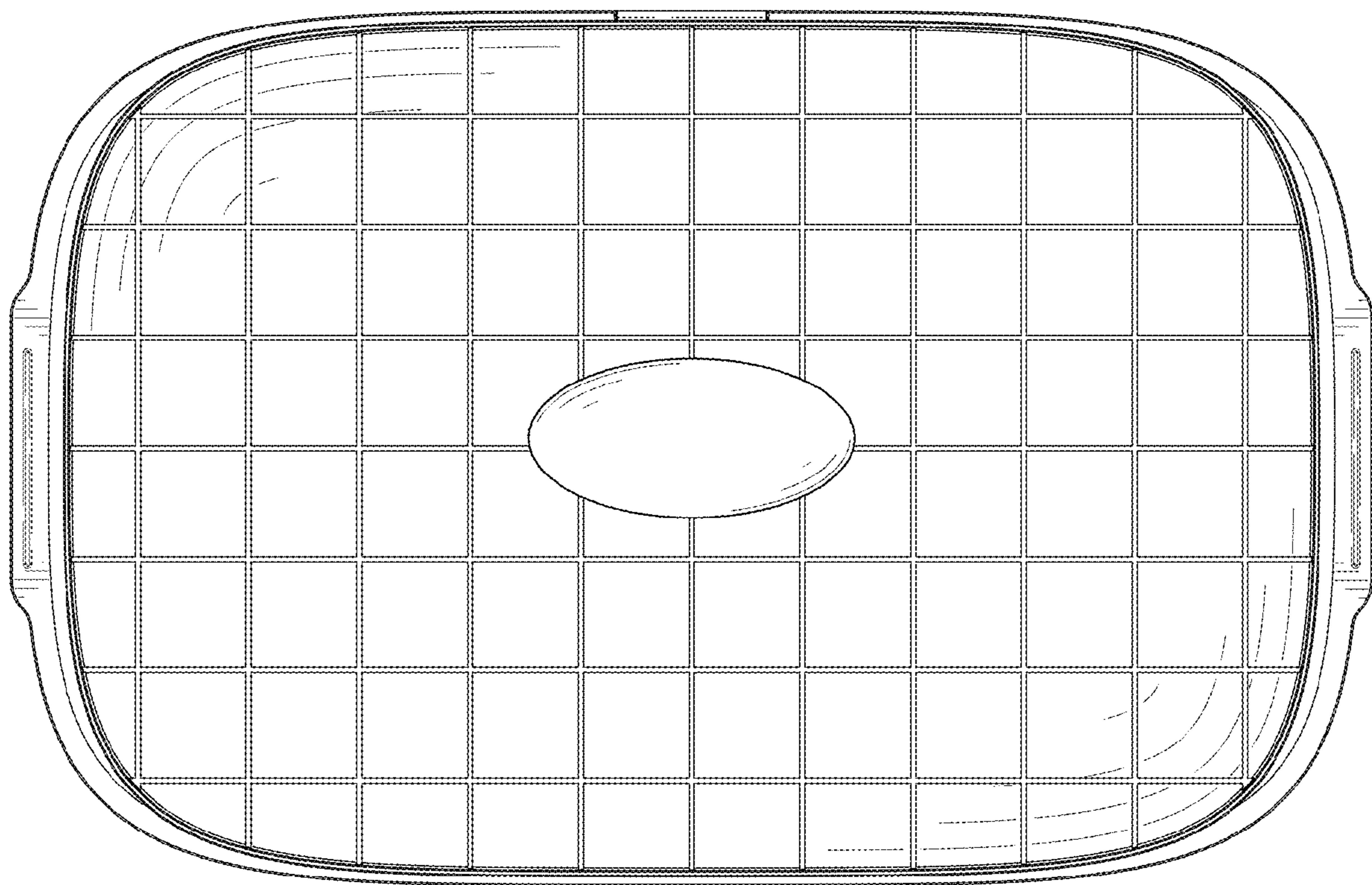


FIG. 7

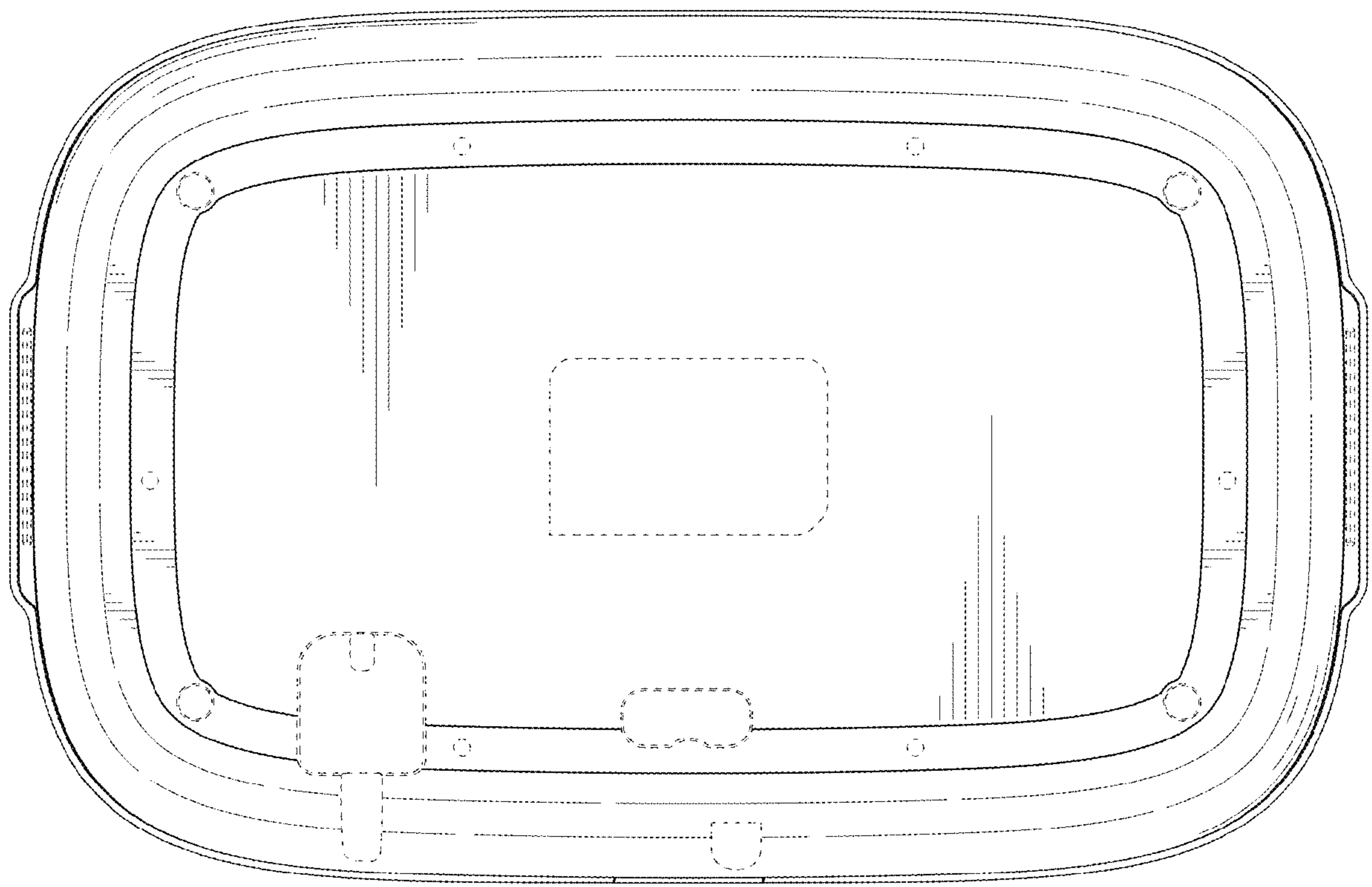


FIG. 8

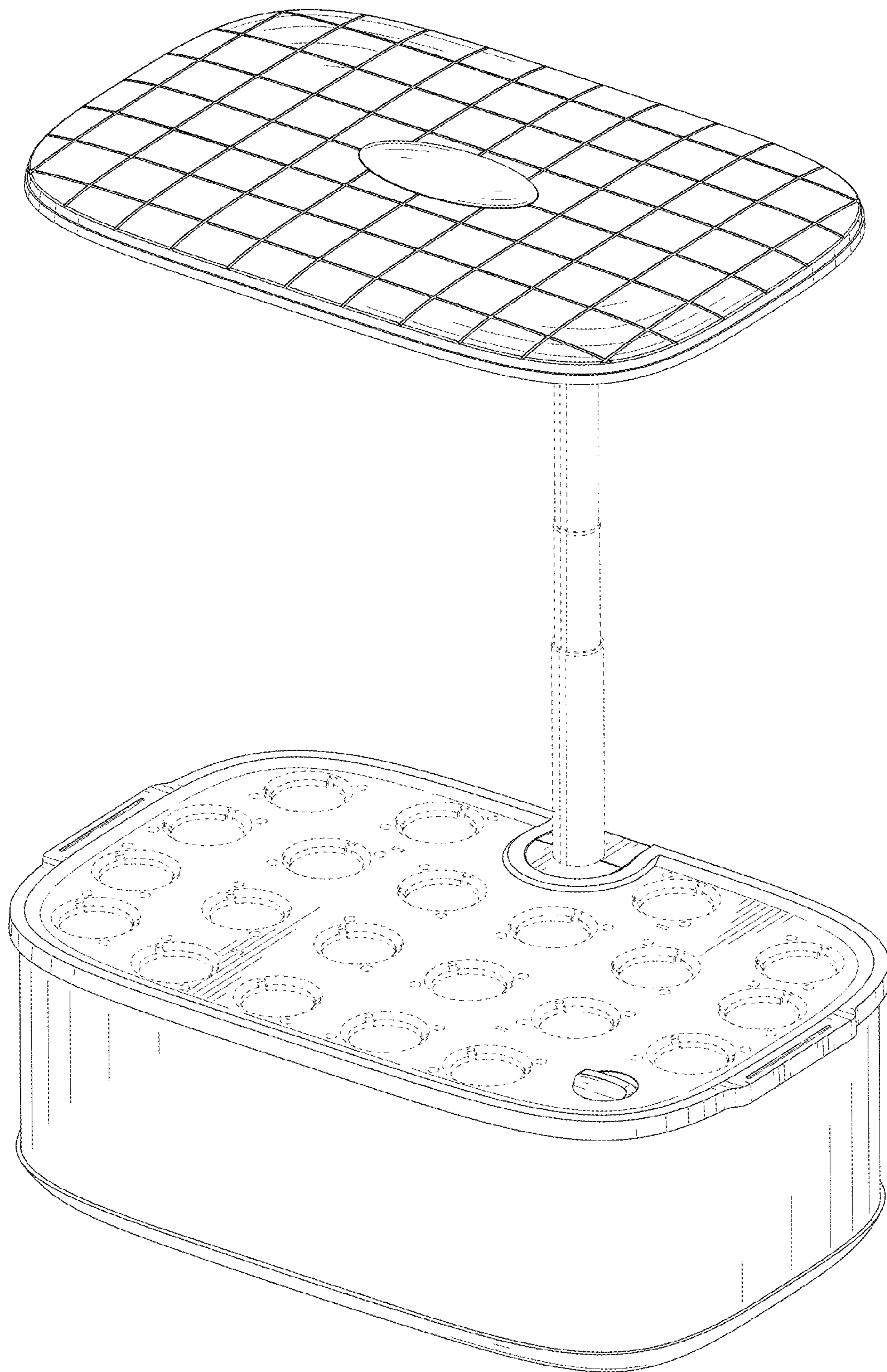


FIG. 9