



US00D970776S

(12) **United States Design Patent**
Cheng

(10) **Patent No.:** **US D970,776 S**

(45) **Date of Patent:** **** Nov. 22, 2022**

(54) **PLANT GROW LIGHT**

(71) Applicant: **Yuanming Cheng**, Guang'an (CN)

(72) Inventor: **Yuanming Cheng**, Guang'an (CN)

(**) Term: **15 Years**

(21) Appl. No.: **29/837,475**

(22) Filed: **May 5, 2022**

(51) **LOC (13) Cl.** **26-05**

(52) **U.S. Cl.**
USPC **D26/67**

(58) **Field of Classification Search**
USPC D26/40, 41, 67-70, 85, 91, 55
CPC F21S 8/03; F21S 9/037; F21W 2111/02;
F21W 2131/109
See application file for complete search history.

(56) **References Cited**

U.S. PATENT DOCUMENTS

D191,128 S *	8/1961	Curtin et al.	D26/67
D236,909 S *	9/1975	Richilano	D26/68
D580,580 S *	11/2008	Lodhie	D26/67
D672,076 S *	12/2012	Guercio	D26/70
D725,305 S *	3/2015	Nelson	D26/70
D740,477 S *	10/2015	Nelson	D26/67
D743,608 S *	11/2015	Verelst	D26/68
D762,904 S *	8/2016	Schmitt	D26/68
D786,467 S *	5/2017	Wan	D26/67
D789,567 S *	6/2017	Katterheinrich	D26/2
9,777,902 B1 *	10/2017	Katterheinrich	F21V 1/04
D844,877 S *	4/2019	Ladewig	D26/68
D897,586 S *	9/2020	Ahrari	D26/67
D911,574 S *	2/2021	Hui	D26/68
D925,088 S *	7/2021	Gibson	D26/70
D927,754 S *	8/2021	Dahlen	D26/70
D929,643 S *	8/2021	Feng	D16/244
D930,223 S *	9/2021	Ran	D16/244
D930,224 S *	9/2021	Lin	D16/244
D930,886 S *	9/2021	Xiao	D16/244
D932,681 S *	10/2021	Chen	D26/104

D936,265 S *	11/2021	Johnson	D26/67
D946,806 S	3/2022	Lai		
D946,817 S	3/2022	He		
D948,096 S	4/2022	Zhang		
D950,121 S	4/2022	He		

(Continued)

OTHER PUBLICATIONS

Amazon (GCMacau Store) <https://a.co/d/3yfBZUi>, Grow Lights for Indoor Plants, Full Spectrum LED Plant Grow Light, Height Adjustable Grow Lamp 3 Colors Halo Grow Lights with 10 Dimmable Brightness and Auto Timer, Ideal for Small Plants Growing, Jul. 4, 2022 (Year: 2022).*

Primary Examiner — Keli L Hill

Assistant Examiner — Harold E Blackwell, II

(74) *Attorney, Agent, or Firm* — Xuan Zhang

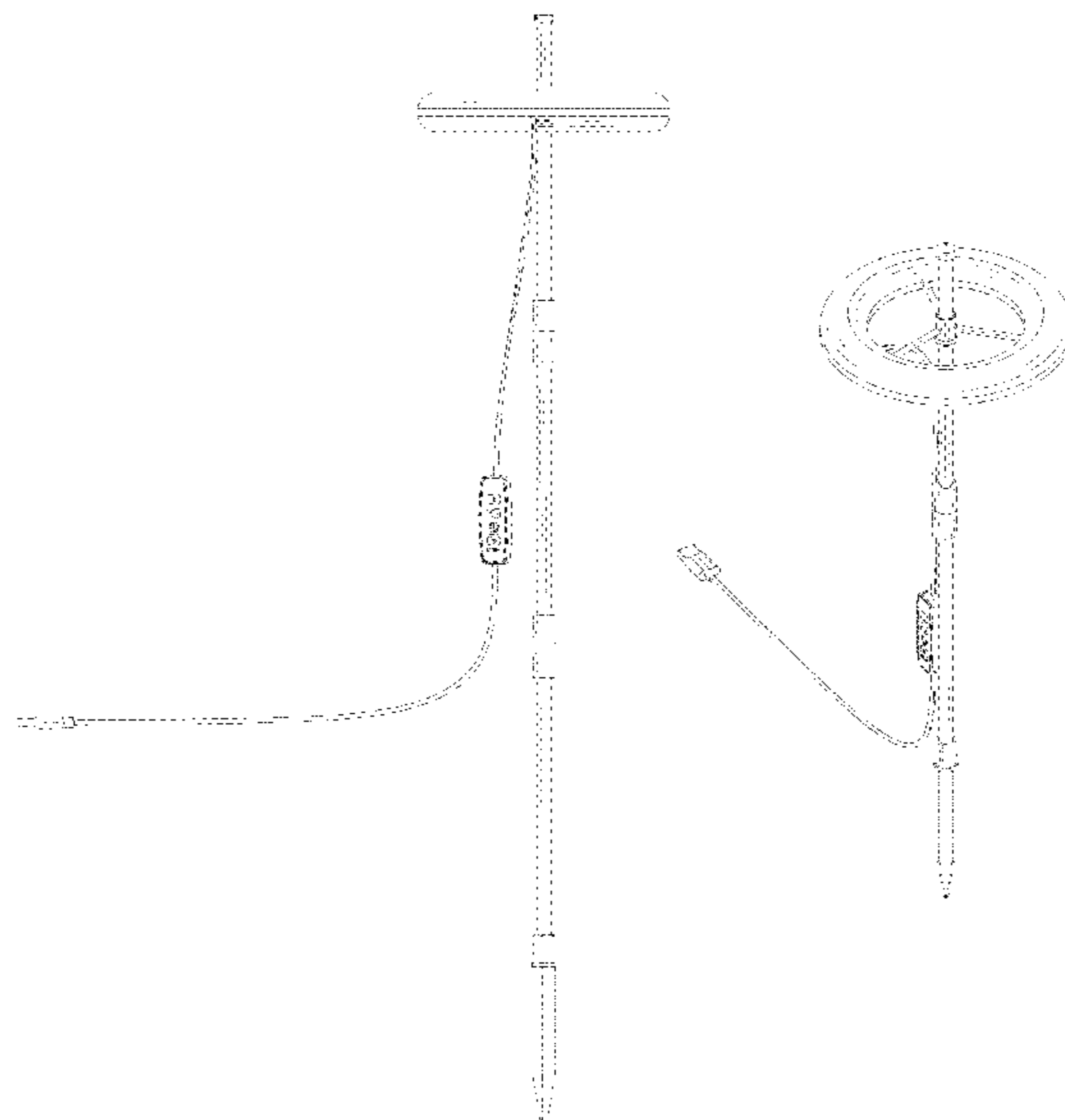
(57) **CLAIM**

The ornamental design for a plant grow light, as shown and described.

DESCRIPTION

FIG. 1 is a front view of a plant grow light showing my new design;
FIG. 2 is a left view thereof;
FIG. 3 is a right view thereof;
FIG. 4 is a rear view thereof;
FIG. 5 is a top view thereof;
FIG. 6 is a bottom view thereof;
FIG. 7 is a top perspective view thereof; and,
FIG. 8 is a top perspective view thereof, illustrating a retractable shaft of the plant grow light being retracted to selectively shorten a length thereof so as to selectively adjust a position of a light ring of the plant grow light.
The broken lines in the drawings are included for the purpose of illustrating environmental structure and form no part of the claimed design.

1 Claim, 8 Drawing Sheets



(56)

References Cited

U.S. PATENT DOCUMENTS

D956,129 S * 6/2022 Ke D26/106
D956,323 S * 6/2022 Zou D16/244

* cited by examiner

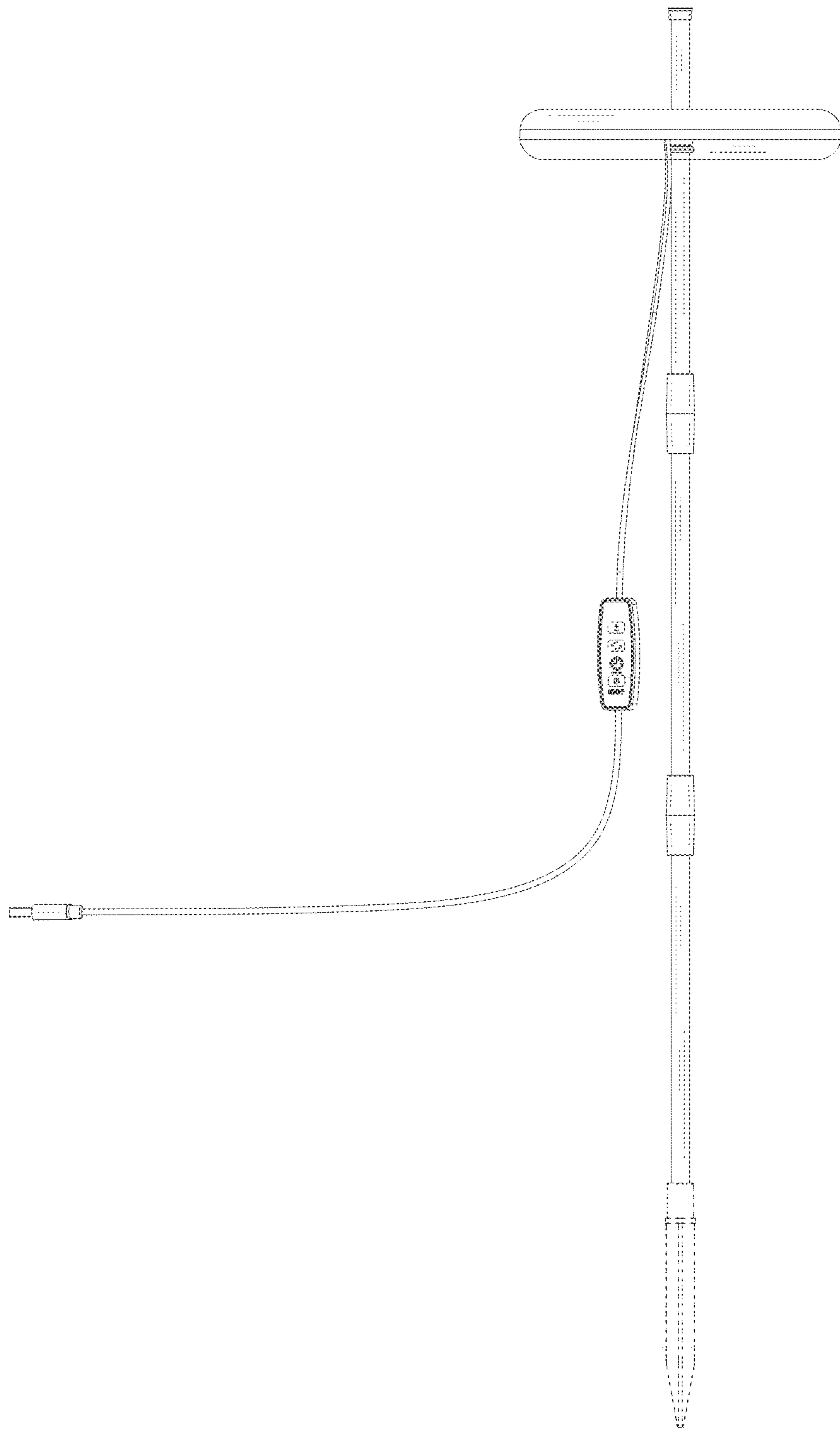


FIG. 1

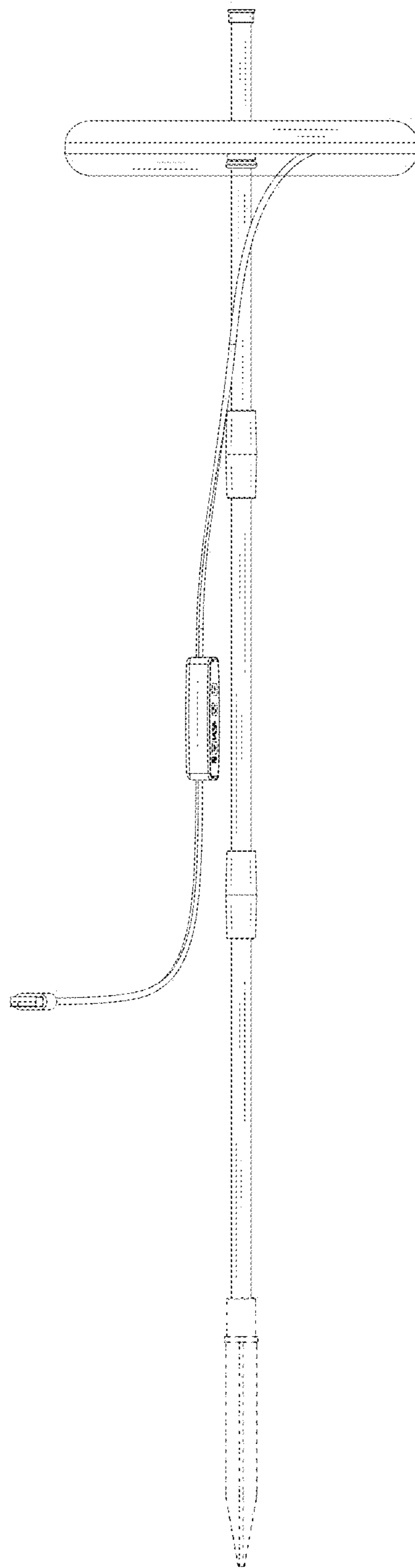


FIG.2

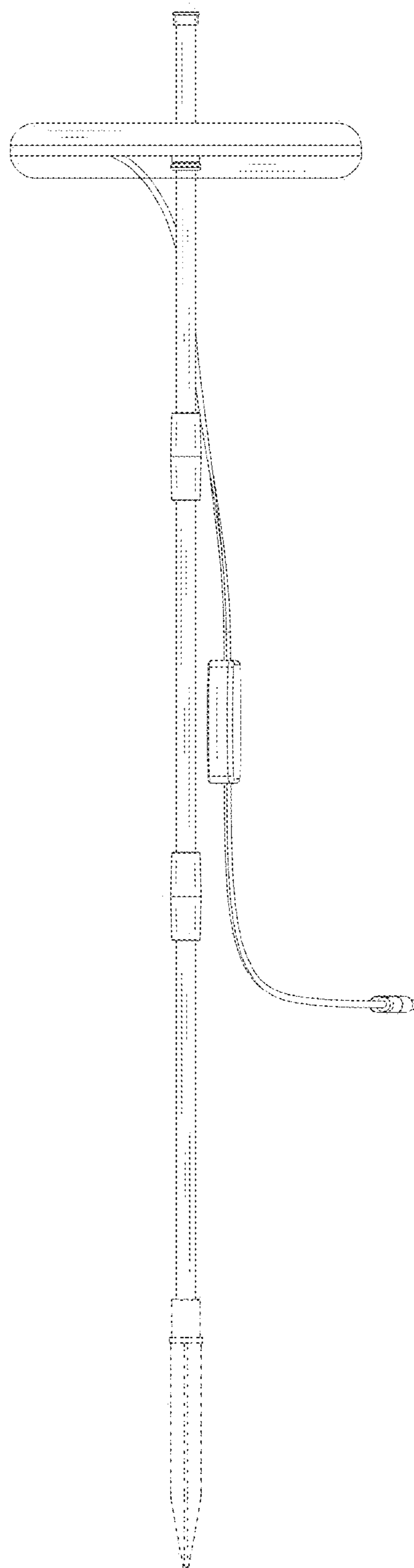


FIG.3

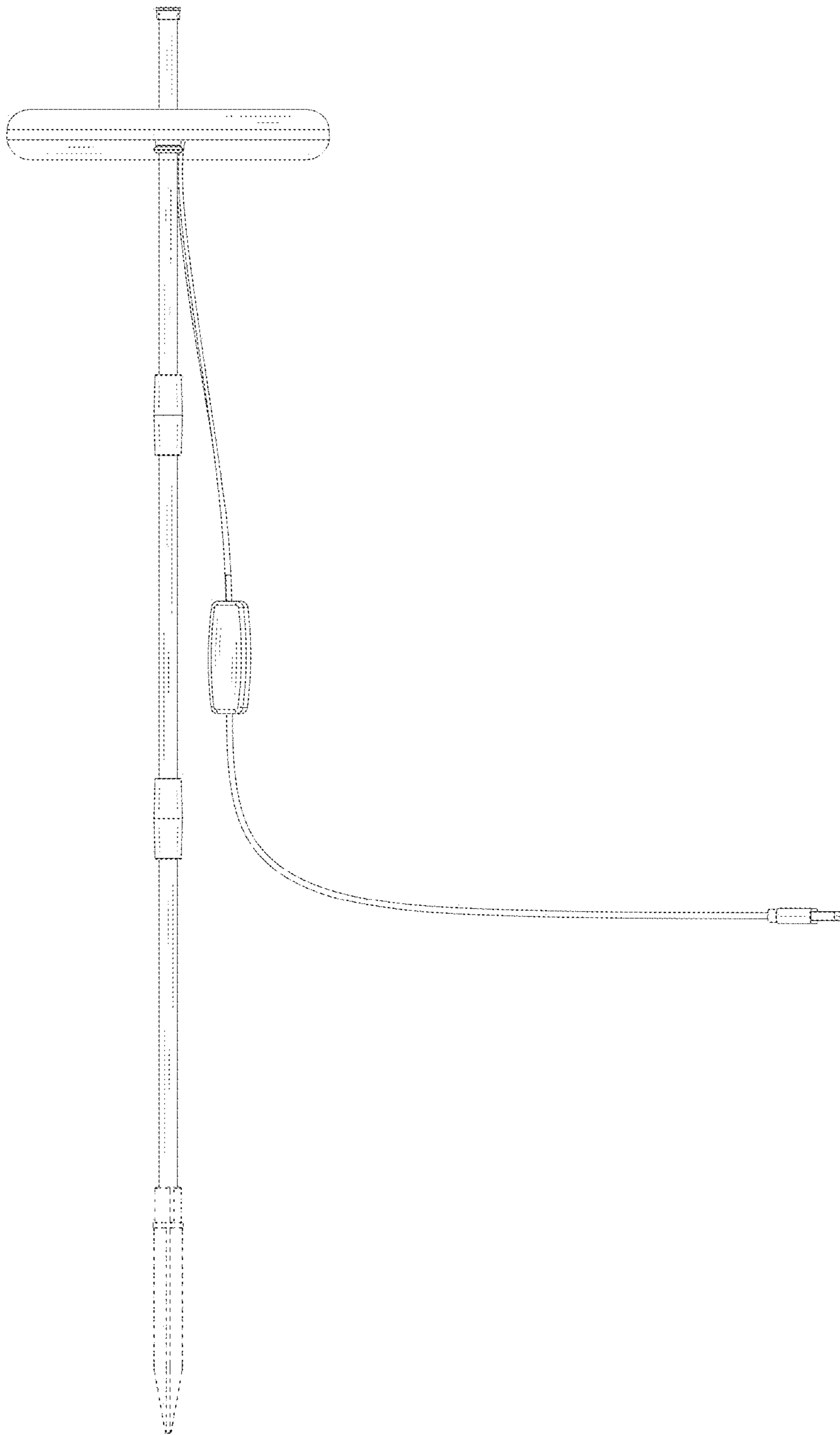


FIG.4

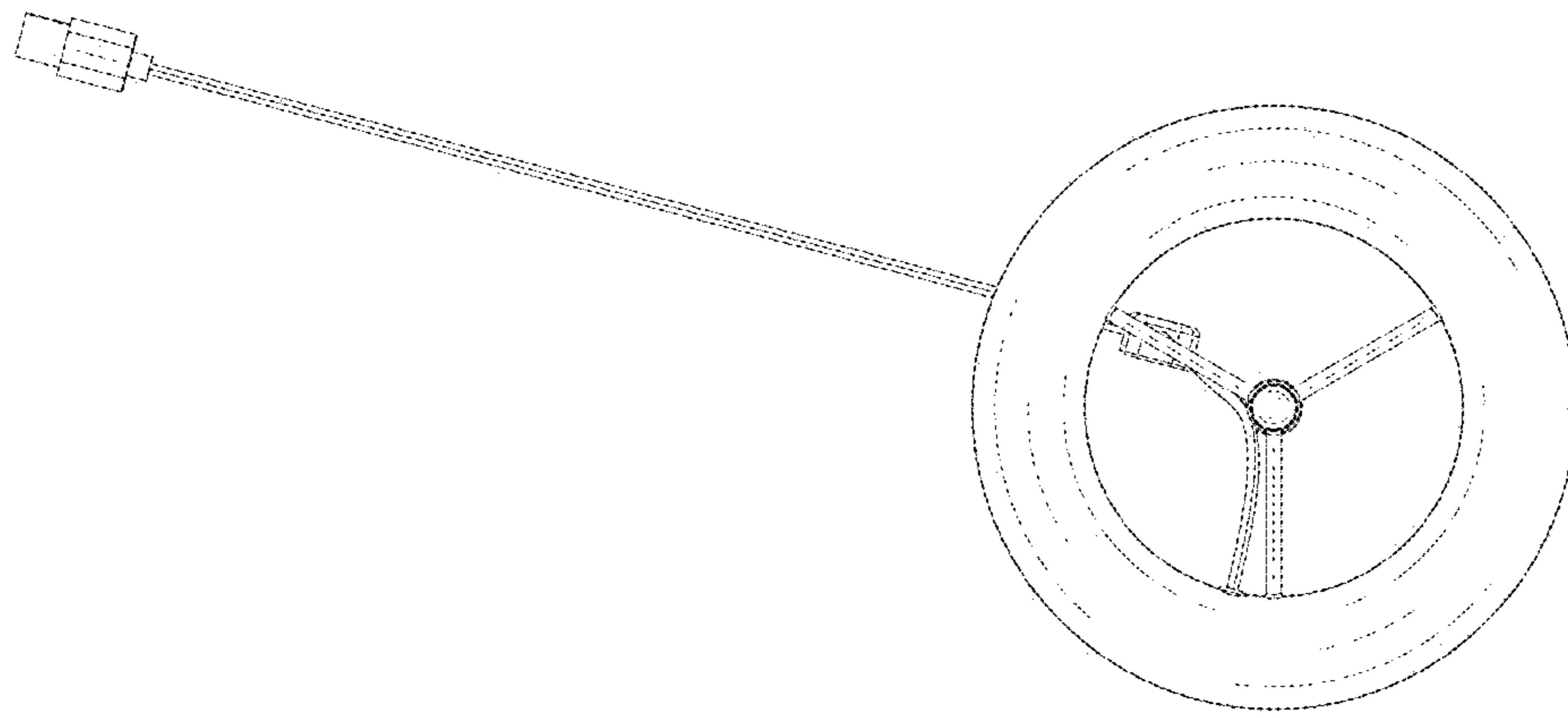


FIG.5

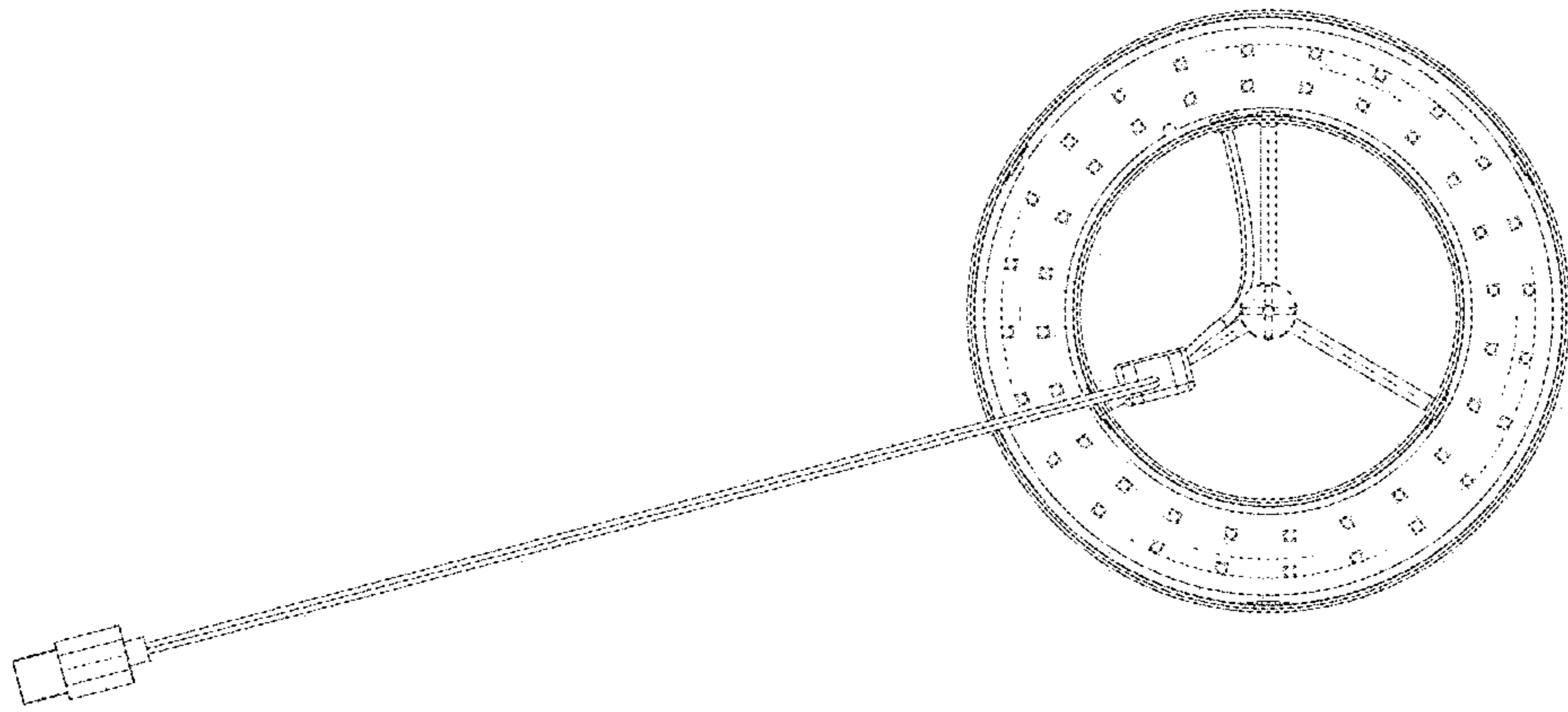


FIG.6

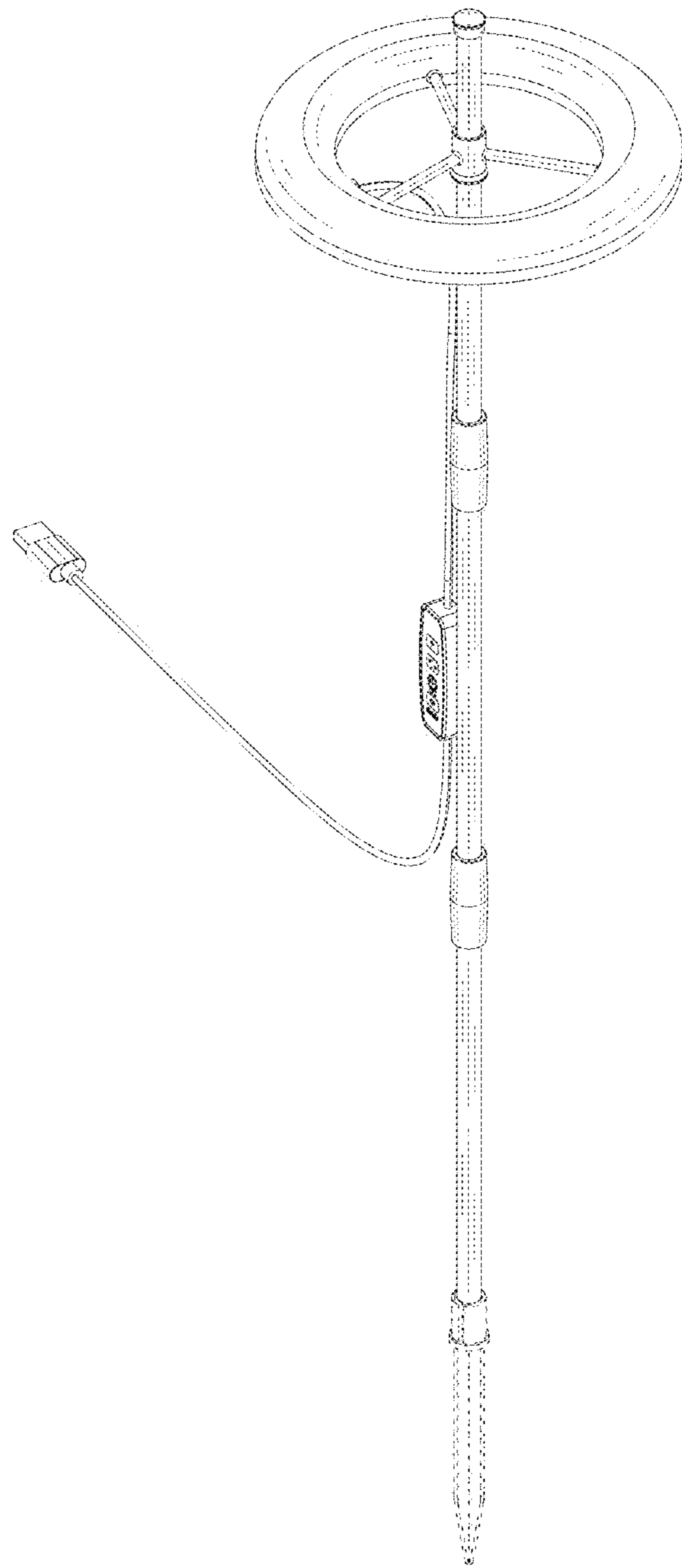


FIG. 7

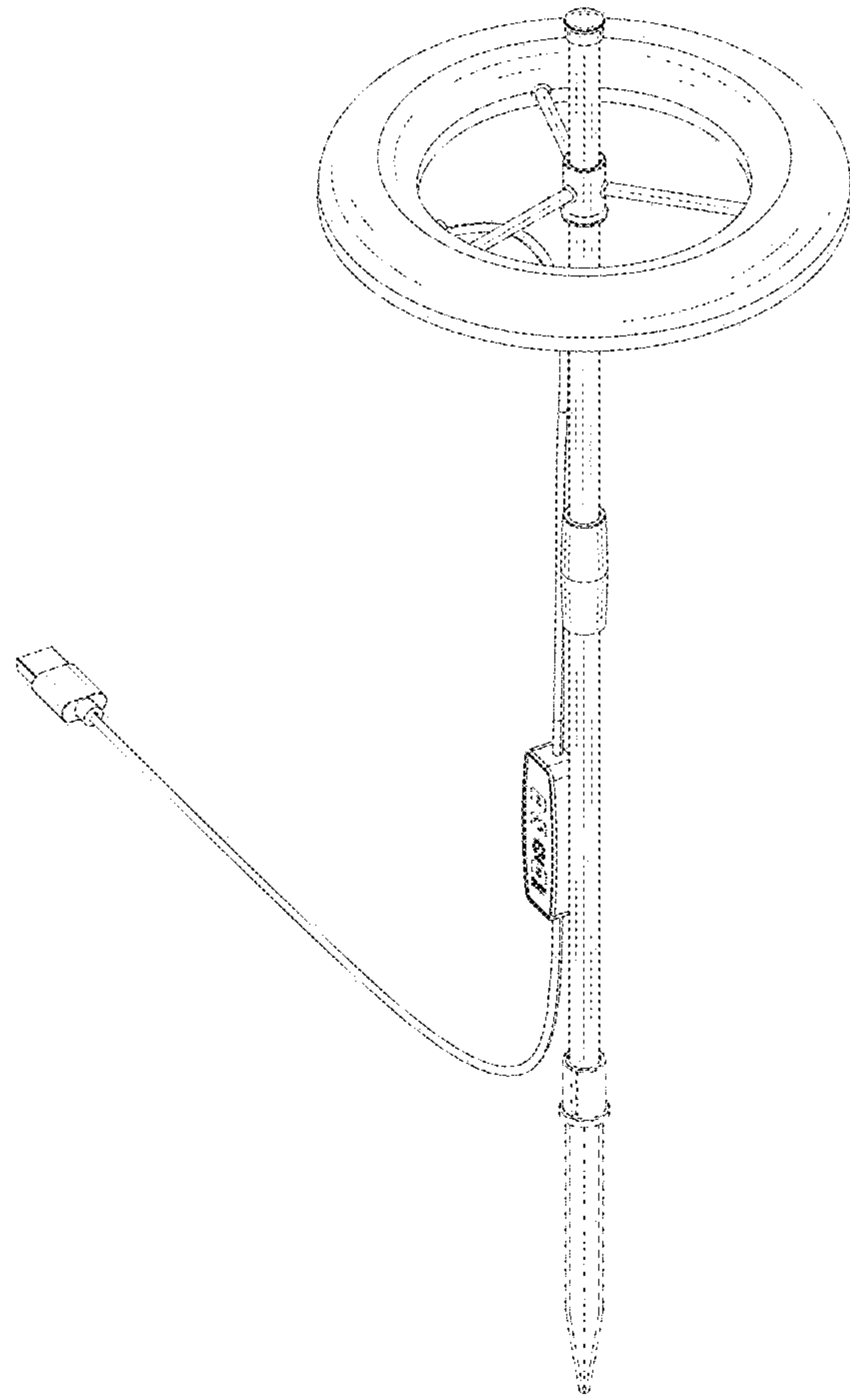


FIG.8