



US00D970774S

(12) **United States Design Patent**
Zheng

(10) **Patent No.:** **US D970,774 S**

(45) **Date of Patent:** **** Nov. 22, 2022**

(54) **SOLAR PATH LAMP**

(71) Applicant: **Ningbo Yuxin Electronic Commerce Co., Ltd., Ningbo (CN)**

(72) Inventor: **Weibiao Zheng, Ningbo (CN)**

(**) Term: **15 Years**

(21) Appl. No.: **29/821,142**

(22) Filed: **Dec. 28, 2021**

(51) **LOC (13) Cl.** **26-05**

(52) **U.S. Cl.**
USPC **D26/67**

(58) **Field of Classification Search**
USPC D26/63, 67-70, 73, 85
CPC F21S 8/03; F21S 8/033; F21S 8/036; F21S 8/081; F21S 9/035; F21S 9/037; F21W 2111/02; F21W 2111/023; F21W 2131/109

See application file for complete search history.

(56) **References Cited**

U.S. PATENT DOCUMENTS

2,659,809	A	*	11/1953	Melia	F21V 3/04
						D26/68
D202,804	S	*	11/1965	Bushcott	D26/88
D204,079	S	*	3/1966	Bushcott	D26/135
D535,425	S	*	1/2007	Chen	D26/67
D628,730	S		12/2010	Chen		
D629,135	S		12/2010	Chen		
D638,968	S		5/2011	Chen		
D638,969	S		5/2011	Chen		
D638,972	S		5/2011	Chen		
D638,973	S		5/2011	Chen		
D639,482	S		6/2011	Chen		
D639,989	S	*	6/2011	Chen	D26/68
D639,990	S	*	6/2011	Chen	D26/68
D639,992	S		6/2011	Chen		
D861,221	S	*	9/2019	Chen	D26/68
D884,246	S		5/2020	Tang		

D935,676	S	*	11/2021	Ma	D26/67
D946,805	S	*	3/2022	Wu	D26/67
D955,026	S	*	6/2022	Song	D26/67
2020/0103090	A1	*	4/2020	Chang	F21S 8/033

OTHER PUBLICATIONS

Beau Jardin 4 Pack Solar Lights, ASIN: B07CZLWL2C. Available from amazon.com as early as Jan. 23, 2020. (Year: 2020).*
Harlowe Wire & Glass Indoor/Outdoor Pendant available at potterybarn.com, visited Mar. 22, 2020. (Year: 2020).*
Fretech 6 Pack Solar Pathway Lights, ASIN: B0B6NWQGDW. Available from amazon.com Jul. 15, 2022. (Year: 2022).*
UMICKOO Solar Outdoor Lights, ASIN: B094VF79B2. Available from amazon.com Jun. 25, 2021. (Year: 2021).*

* cited by examiner

Primary Examiner — Clare E Heflin

(74) *Attorney, Agent, or Firm* — Rumit Ranjit Kanakia

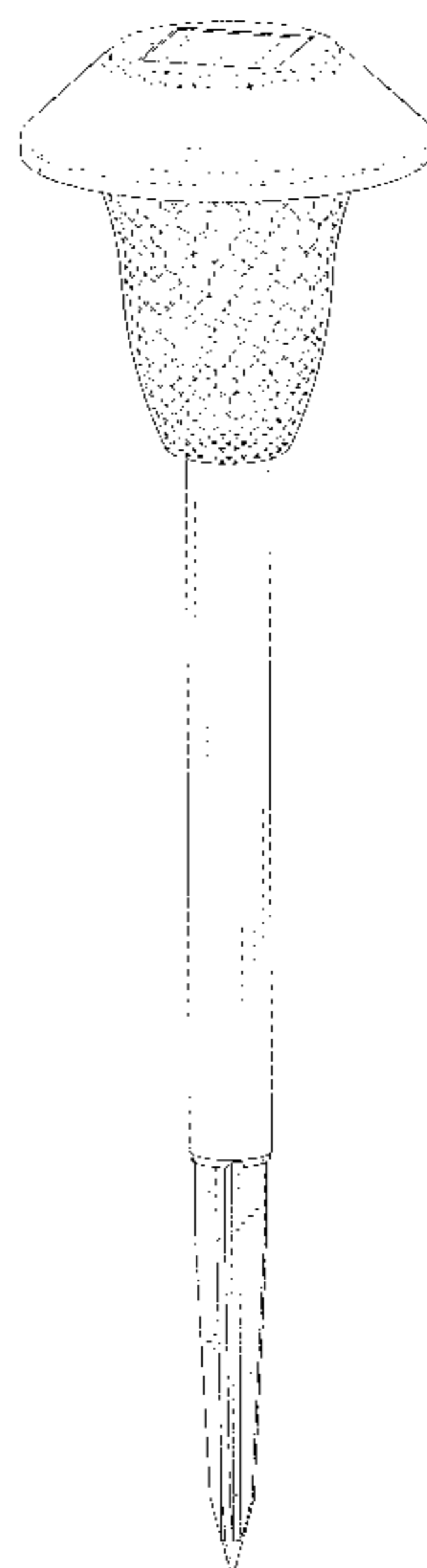
(57) **CLAIM**

The ornamental design for a solar path lamp, as shown and described.

DESCRIPTION

FIG. 1 is a perspective view of a solar path lamp showing my new design;
FIG. 2 is another perspective view thereof;
FIG. 3 is a front elevational view thereof;
FIG. 4 is a rear elevational view thereof;
FIG. 5 is a left side view thereof;
FIG. 6 is a right side view thereof;
FIG. 7 is a top plan view thereof; and,
FIG. 8 is a bottom plan view thereof.
The broken lines in the figures are for the purpose of illustrating portions of the solar path lamp, which form no part of the claimed design.

1 Claim, 7 Drawing Sheets



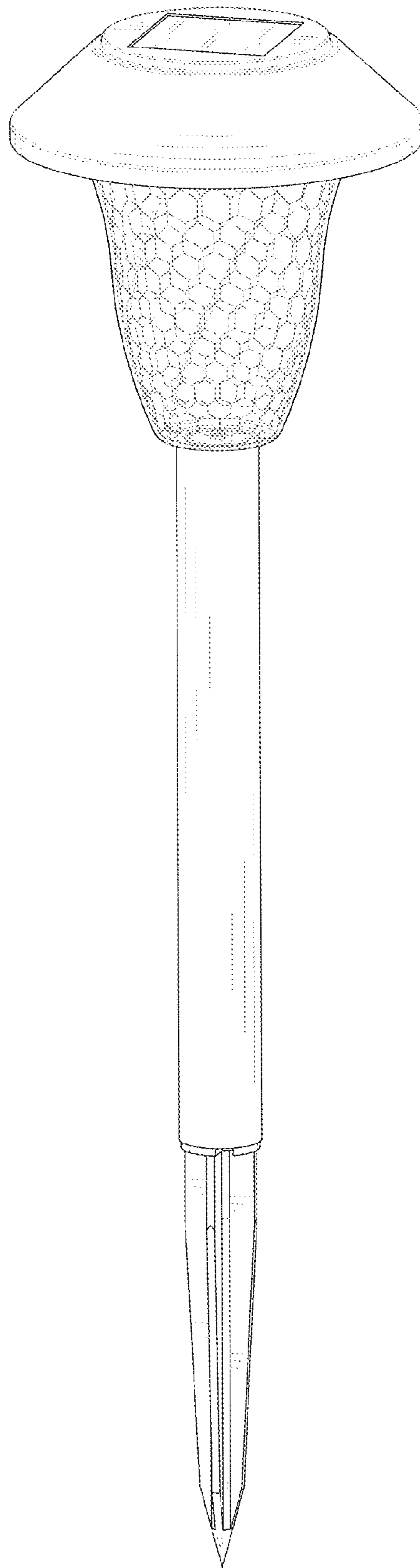


FIG. 1

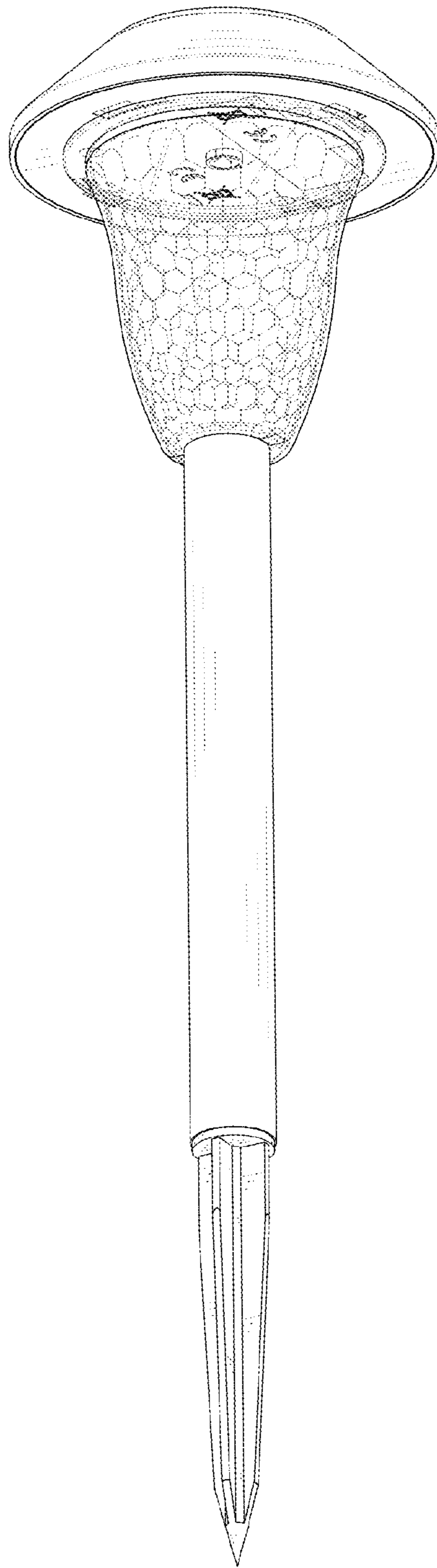


FIG. 2

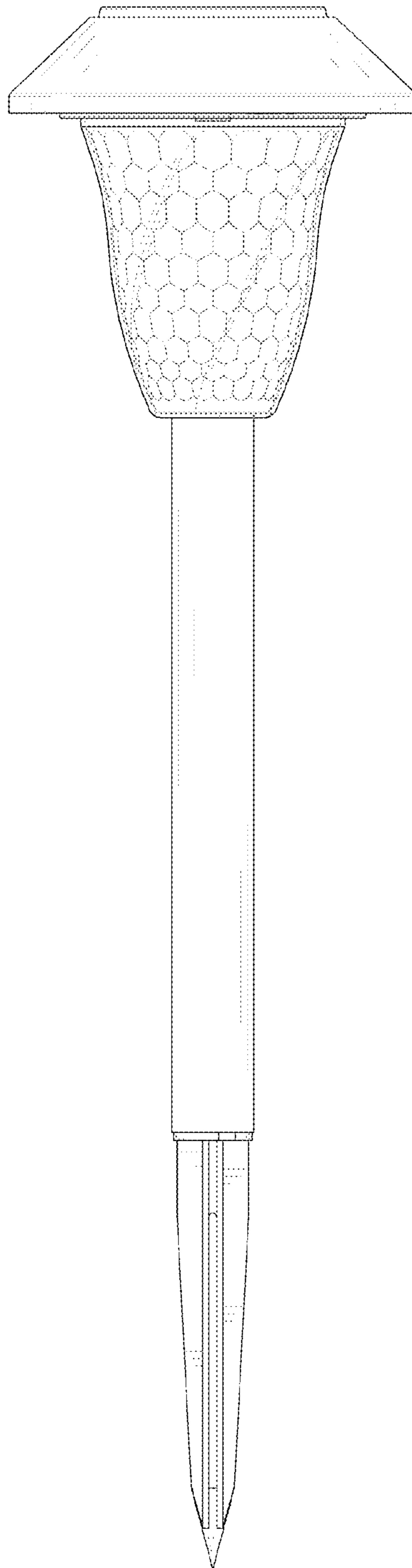


FIG. 3

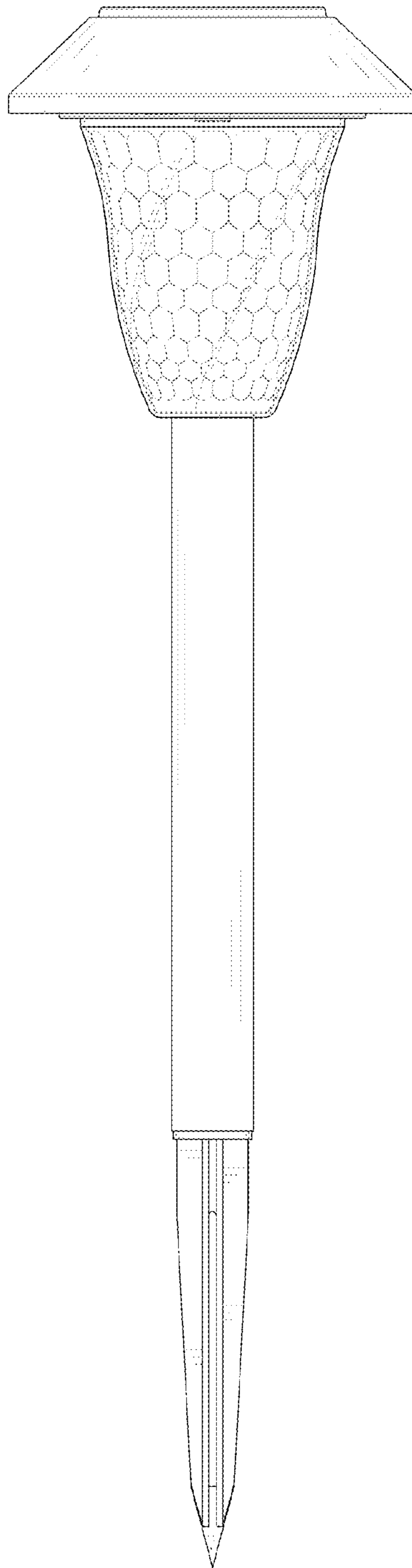


FIG. 4

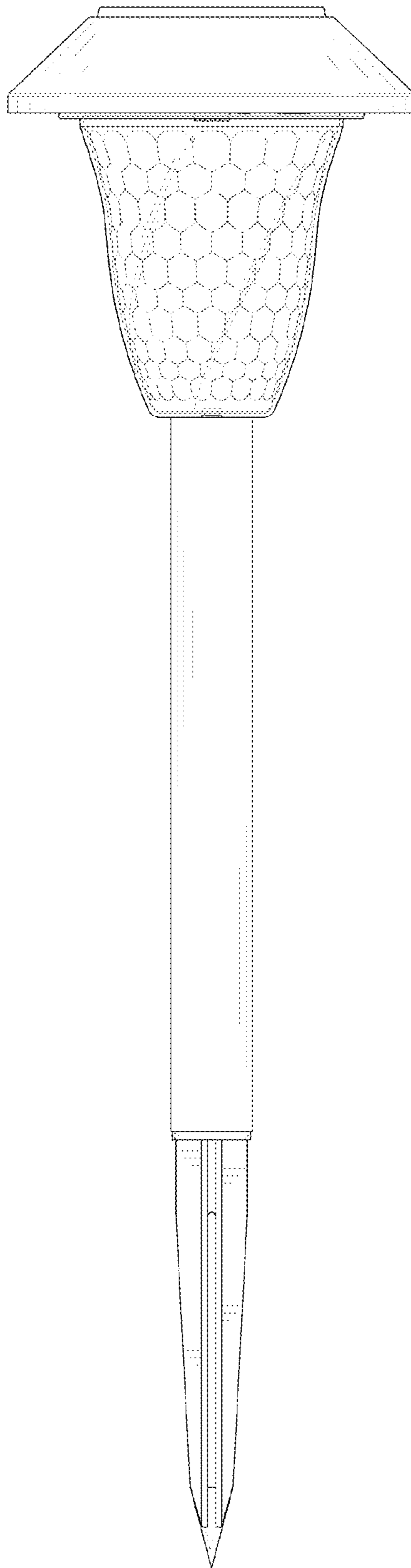


FIG. 5

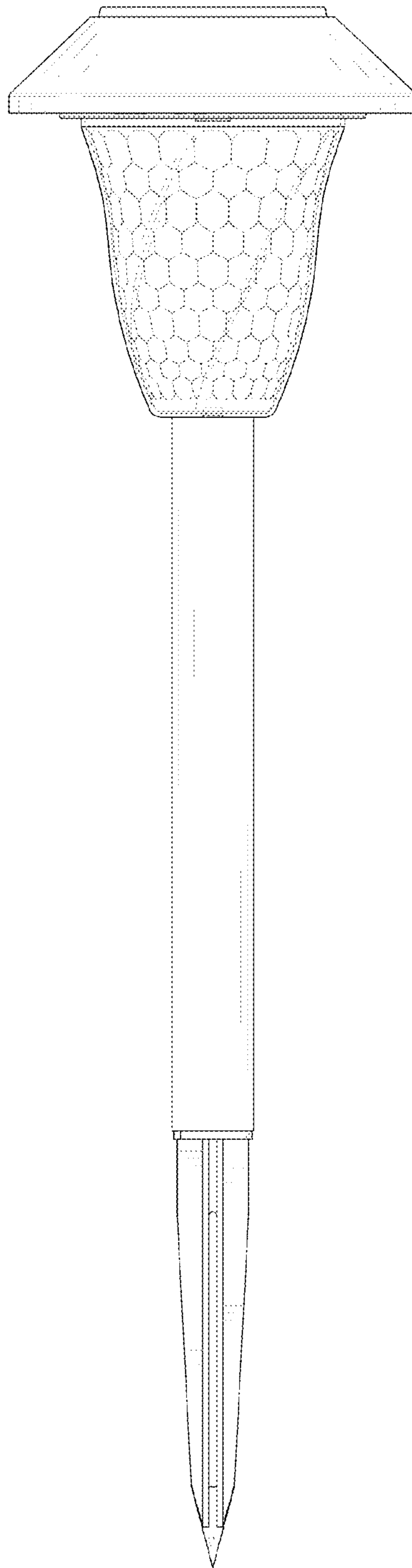


FIG. 6

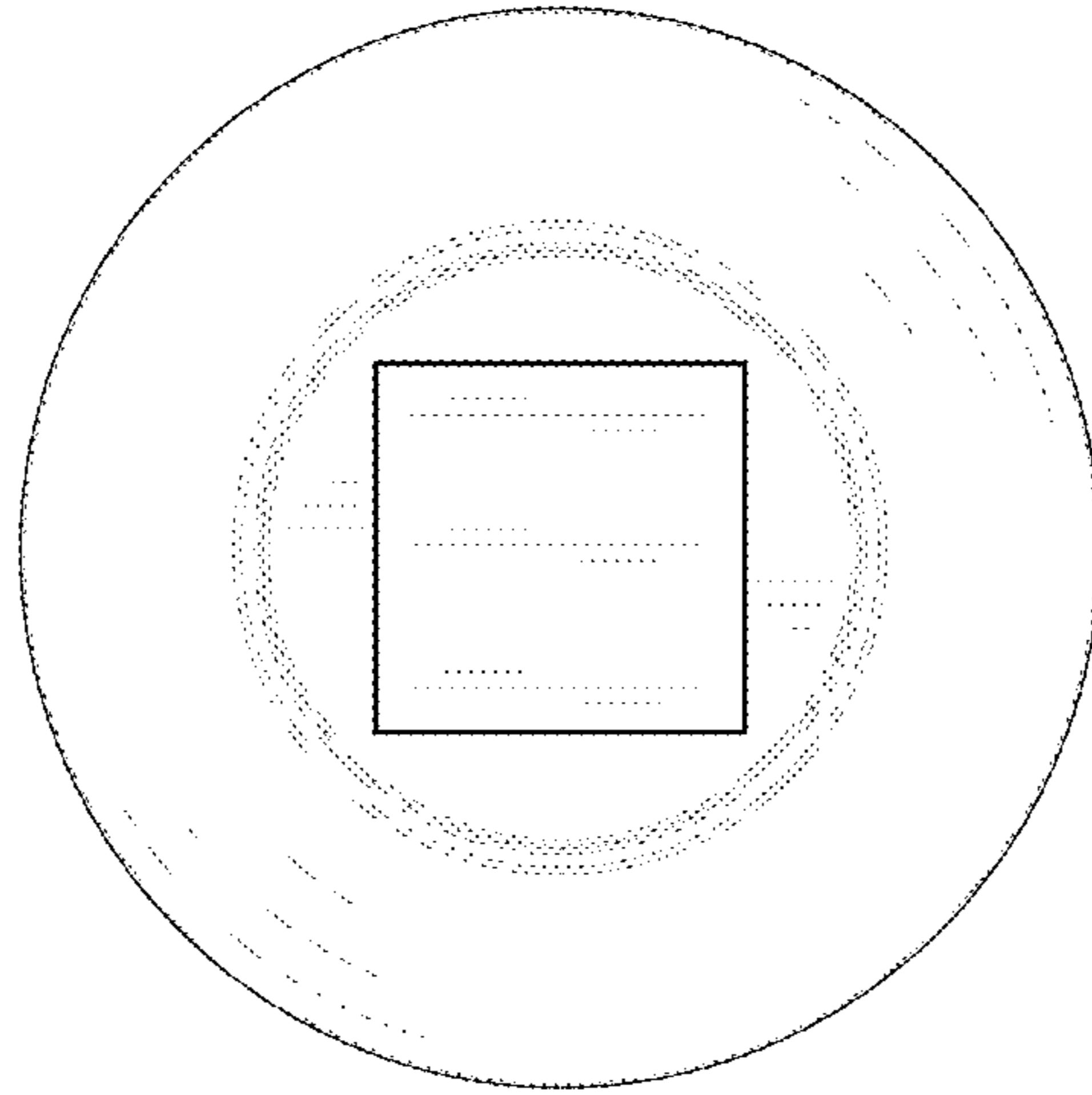


FIG. 7

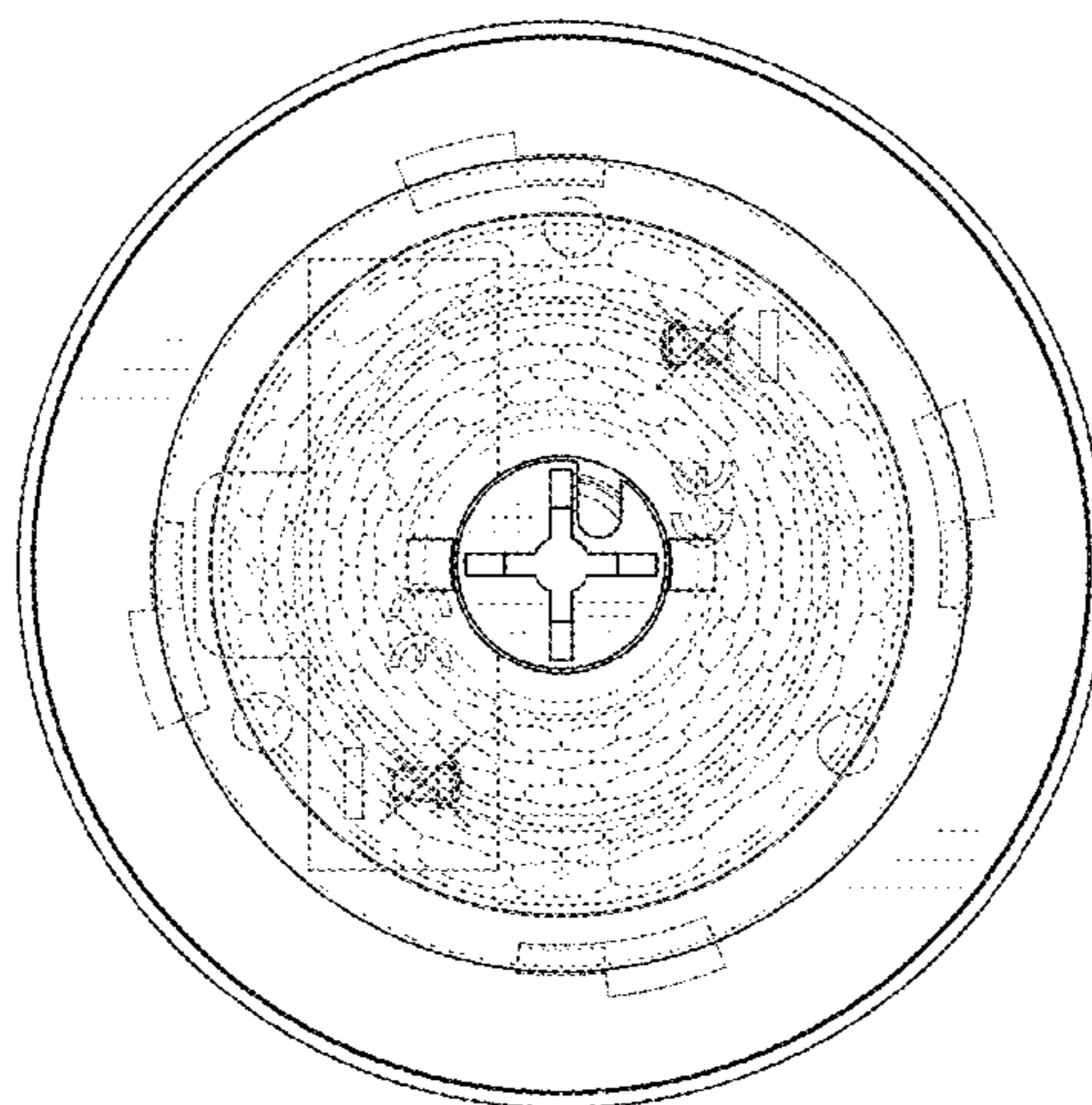


FIG. 8