



US00D970771S

(12) **United States Design Patent** (10) **Patent No.:** **US D970,771 S**
Wu (45) **Date of Patent:** **** Nov. 22, 2022**

(54) **LED SECURITY LIGHT**
(71) Applicant: **Shenzhen Lightmall Limited.,**
Shenzhen (CN)
(72) Inventor: **Tiejun Wu, Shenzhen (CN)**
(**) Term: **15 Years**
(21) Appl. No.: **29/785,272**
(22) Filed: **May 25, 2021**
(51) **LOC (13) Cl.** **26-05**
(52) **U.S. Cl.**
USPC **D26/63**
(58) **Field of Classification Search**
USPC ... D26/1, 24, 25, 61, 63, 64, 65, 66, 72, 80,
D26/102, 104
CPC F21L 2/00; F21L 4/00; F21L 4/02; F21L
4/025; F21L 4/027; F21L 14/00; F21S
2/00; F21S 8/03; F21S 8/033; F21S
8/035; F21S 6/00; F21S 6/002; F21S
6/004; F21S 8/036; F21S 8/037; F21S
9/00; F21S 9/02; F21V 21/10; F21V
21/108; F21W 2121/008
See application file for complete search history.

D892,379 S * 8/2020 Recker D26/63
D896,424 S * 9/2020 Wang D26/63
D928,378 S * 8/2021 Recker D26/63
11,085,616 B1 * 8/2021 Cui F21V 23/0471
D935,674 S * 11/2021 Wu F21V 23/0471
D26/63
2015/0036359 A1 * 2/2015 Chen F21S 8/033
29/825

FOREIGN PATENT DOCUMENTS

GB 6138964 * 5/2021

OTHER PUBLICATIONS

Amazon, "LEDPAX LED Motion Sensor Security Light", first available Sep. 7, 2017. (<https://www.amazon.com/LEDPAX-Technology-SL2-W-Security-Light/dp/B075FWHDLY>)(Year: 2017).*
(Continued)

Primary Examiner — Lauren D McVey
Assistant Examiner — Justin A Johnson
(74) *Attorney, Agent, or Firm* — Rumit Ranjit Kanakia

(57) **CLAIM**

The ornamental design for a LED security light, as shown and described.

(56) **References Cited**

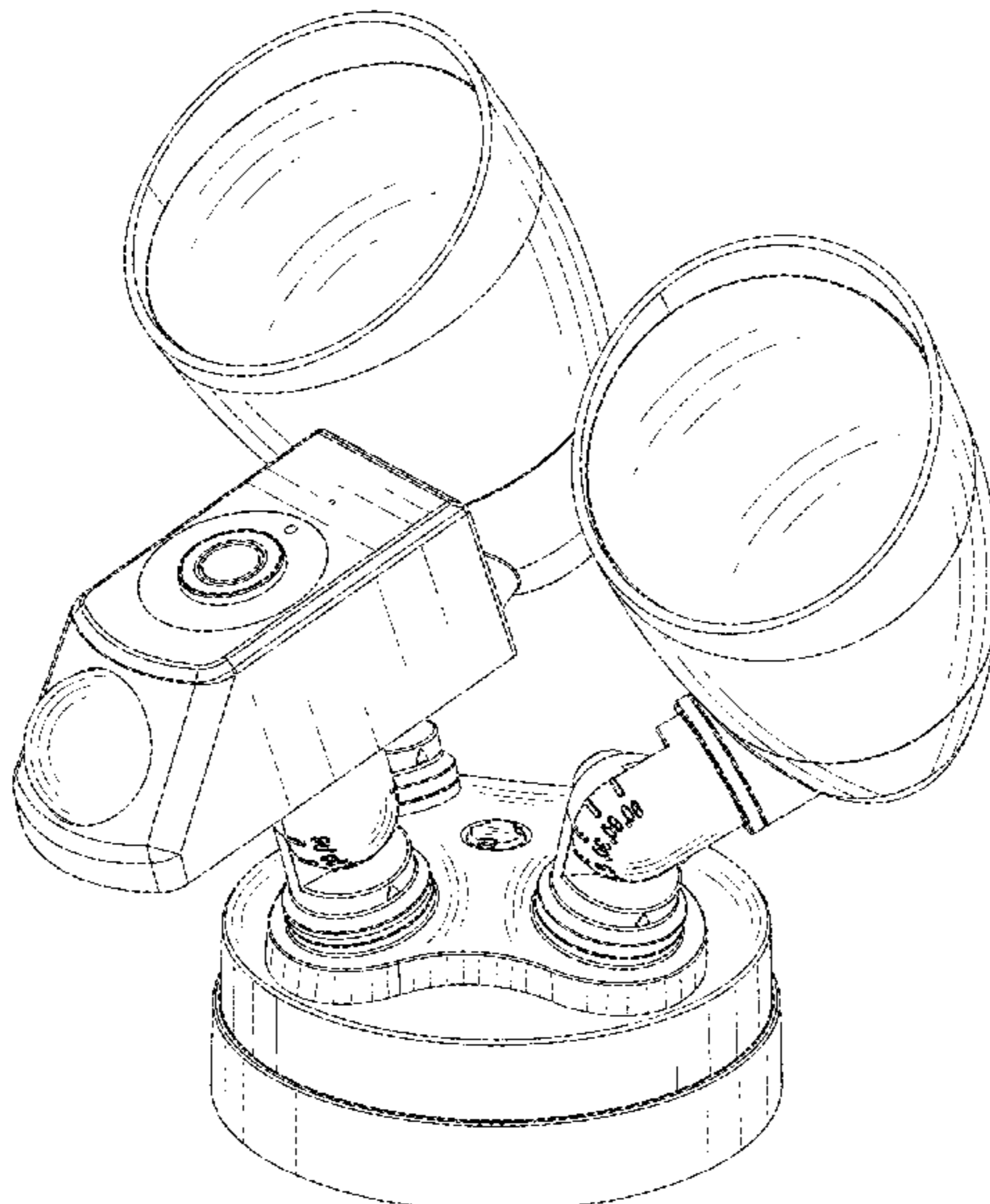
U.S. PATENT DOCUMENTS

D441,113 S * 4/2001 Small D26/63
D517,231 S * 3/2006 Pickett D26/59
D546,997 S * 7/2007 Monroe D26/65
D557,439 S * 12/2007 Hsu D26/83
D647,658 S * 10/2011 Wauters D26/63
D705,477 S 5/2014 Chen
D713,579 S 9/2014 Chen
D713,581 S 9/2014 Chen
D742,053 S * 10/2015 Sussman D26/63
D765,901 S 9/2016 Chen
D869,038 S 12/2019 Michael et al.
D878,656 S 3/2020 Michael et al.
D888,309 S * 6/2020 Siminoff D26/63

DESCRIPTION

FIG. 1 is a perspective view of a LED security light showing my new design;
FIG. 2 is a top view thereof;
FIG. 3 is a bottom view thereof;
FIG. 4 is a right-side view thereof;
FIG. 5 is a left-side view thereof;
FIG. 6 is a back view thereof; and,
FIG. 7 is a front view thereof.
The broken lines in the drawings depict portions of the LED security light that form no part of the claimed design.

1 Claim, 7 Drawing Sheets



(56)

References Cited

OTHER PUBLICATIONS

Amazon, "JJC LED Security Lights", first available Nov. 1, 2019.

(<https://www.amazon.com/dp/B07ZVH8CT3/?th=1>) (Year: 2019).*

Amazon, "Outdoor Security Lights", first available Aug. 20, 2021.

(<https://www.amazon.com/dp/B097QT8ZF2/?th=1>) (Year: 2021).*

Amazon, "FLSNT 1080P Outdoor Floodlight", first available Feb.

8, 2021. (<https://www.amazon.com/dp/B08W4S8JBK/>) (Year: 2021).*

* cited by examiner

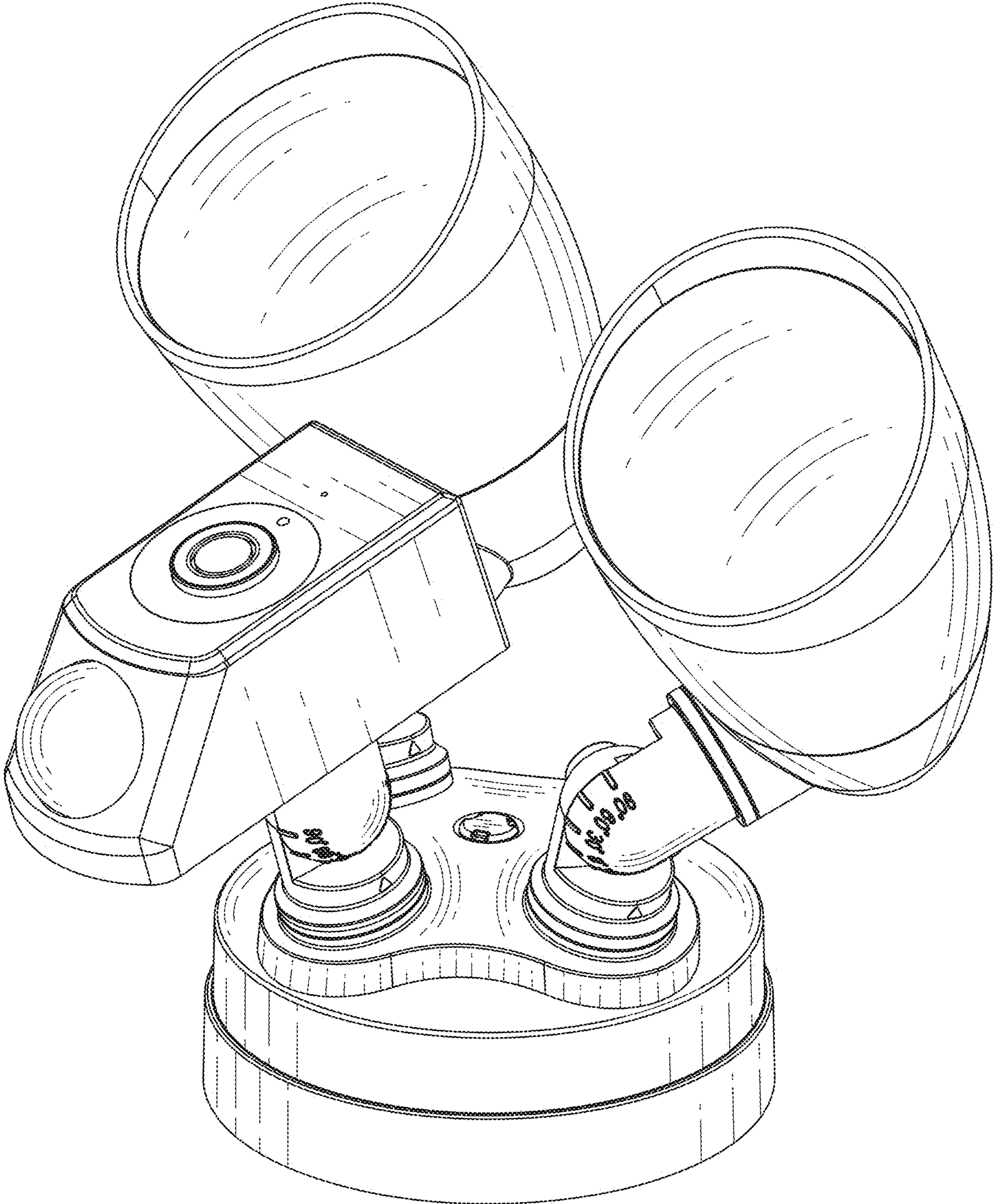


FIG. 1

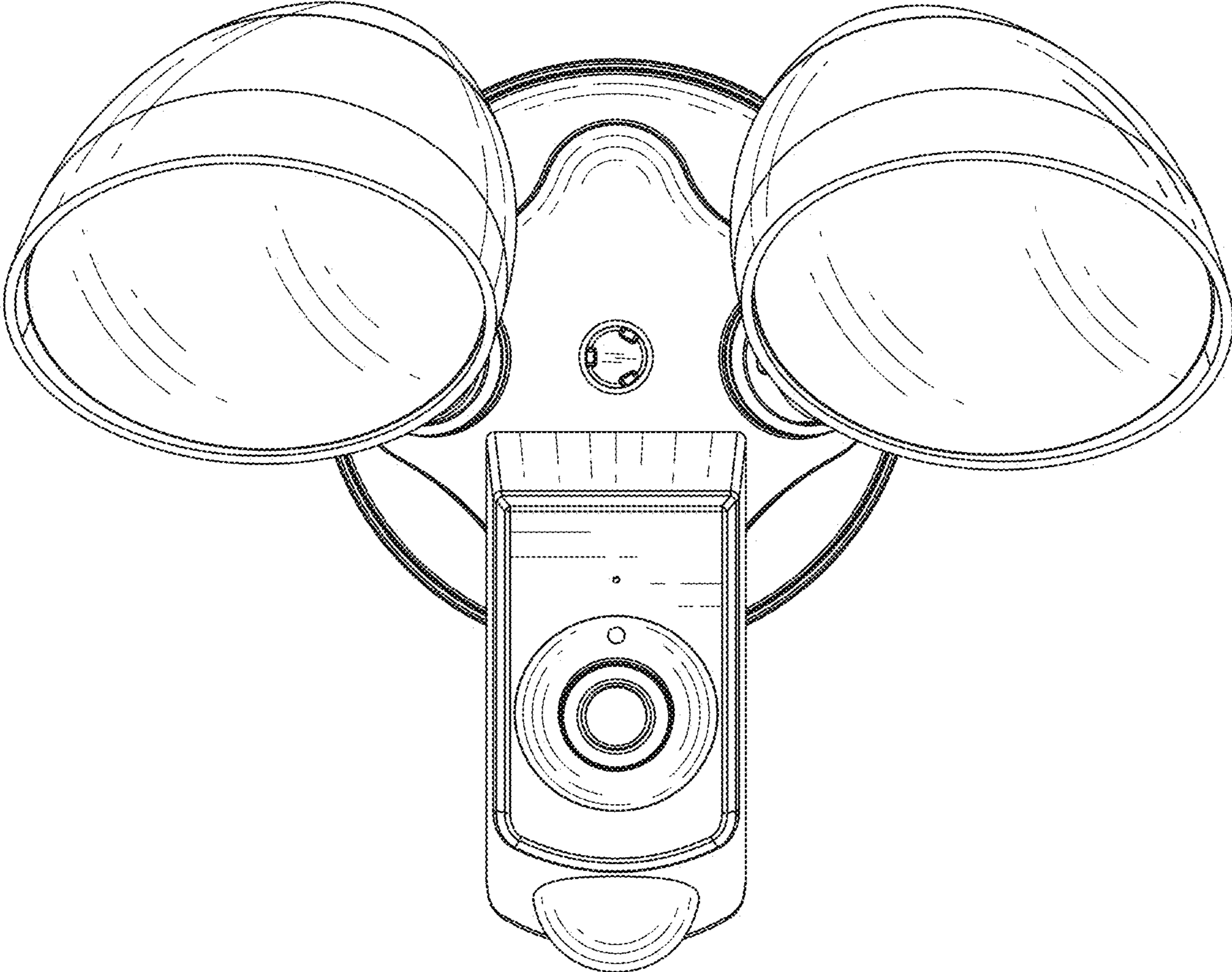


FIG. 2

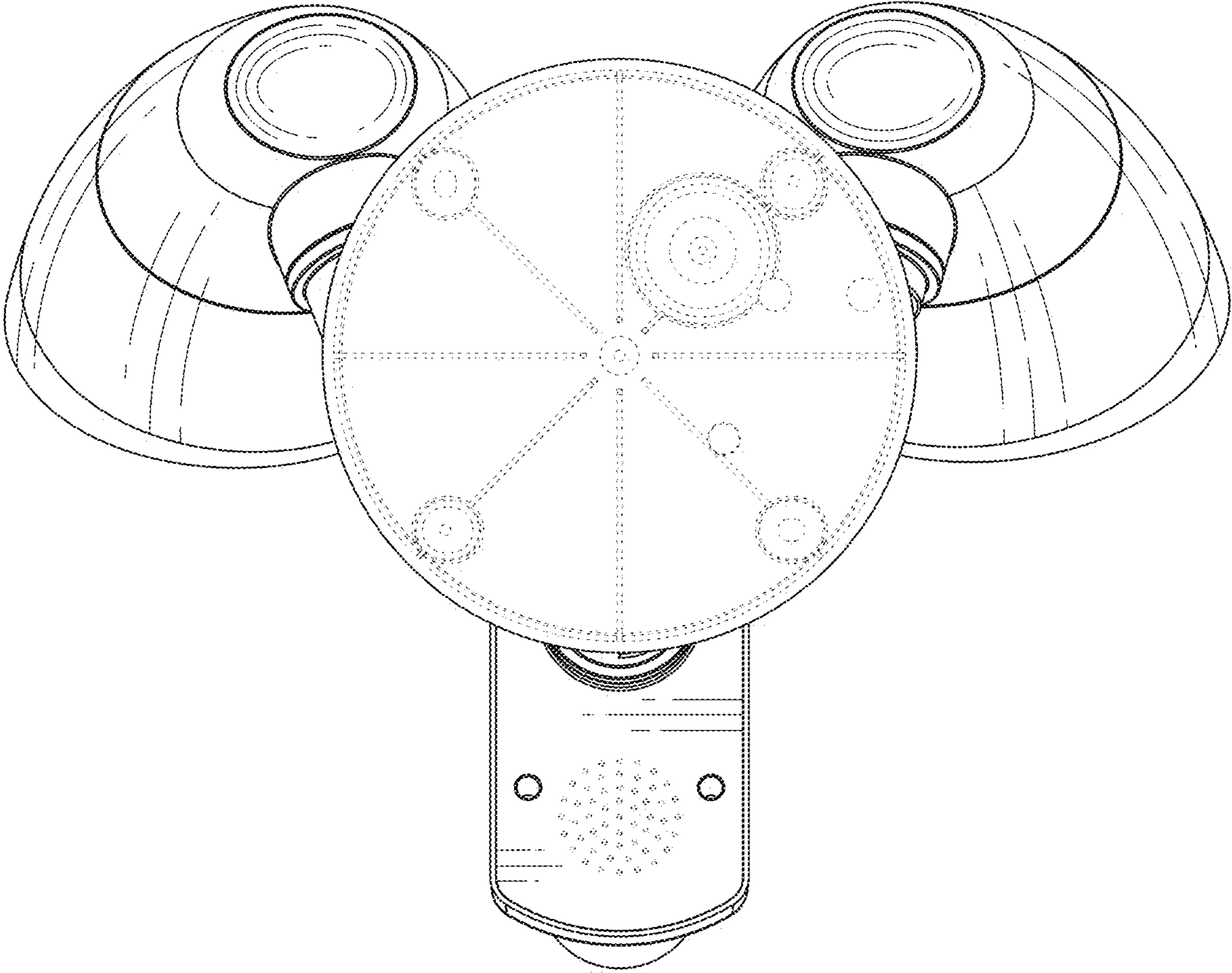


FIG. 3

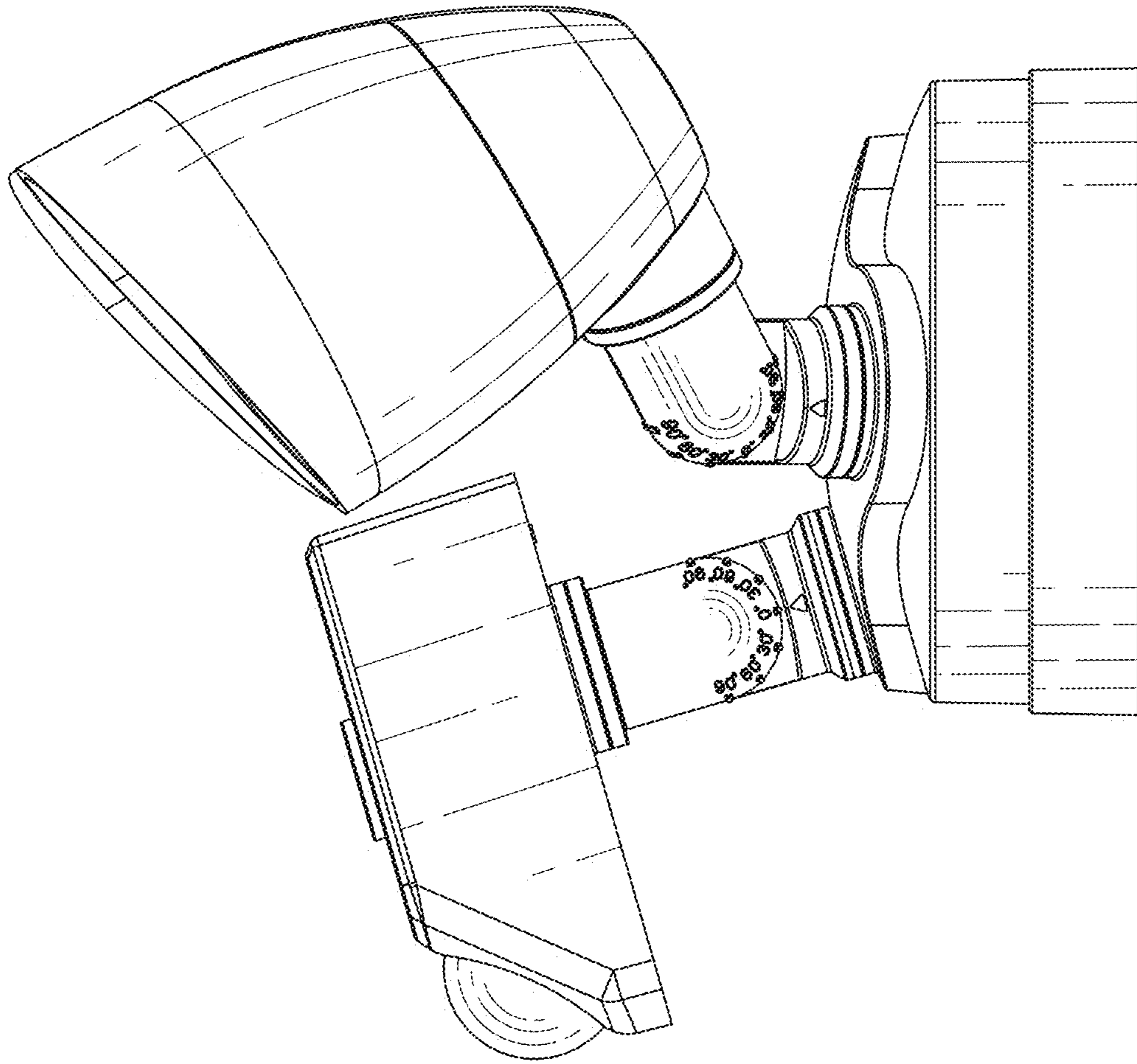


FIG. 4

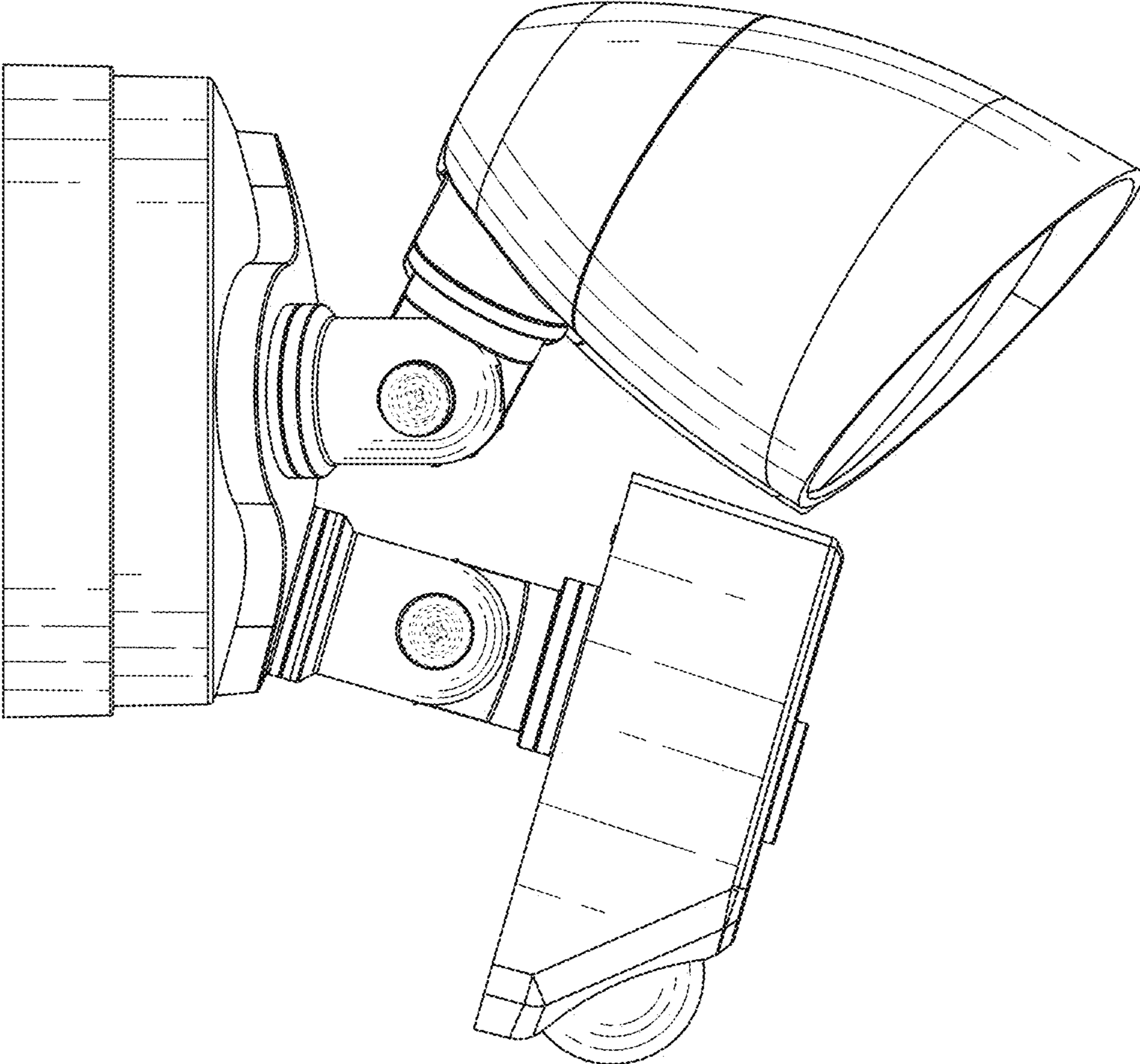


FIG. 5

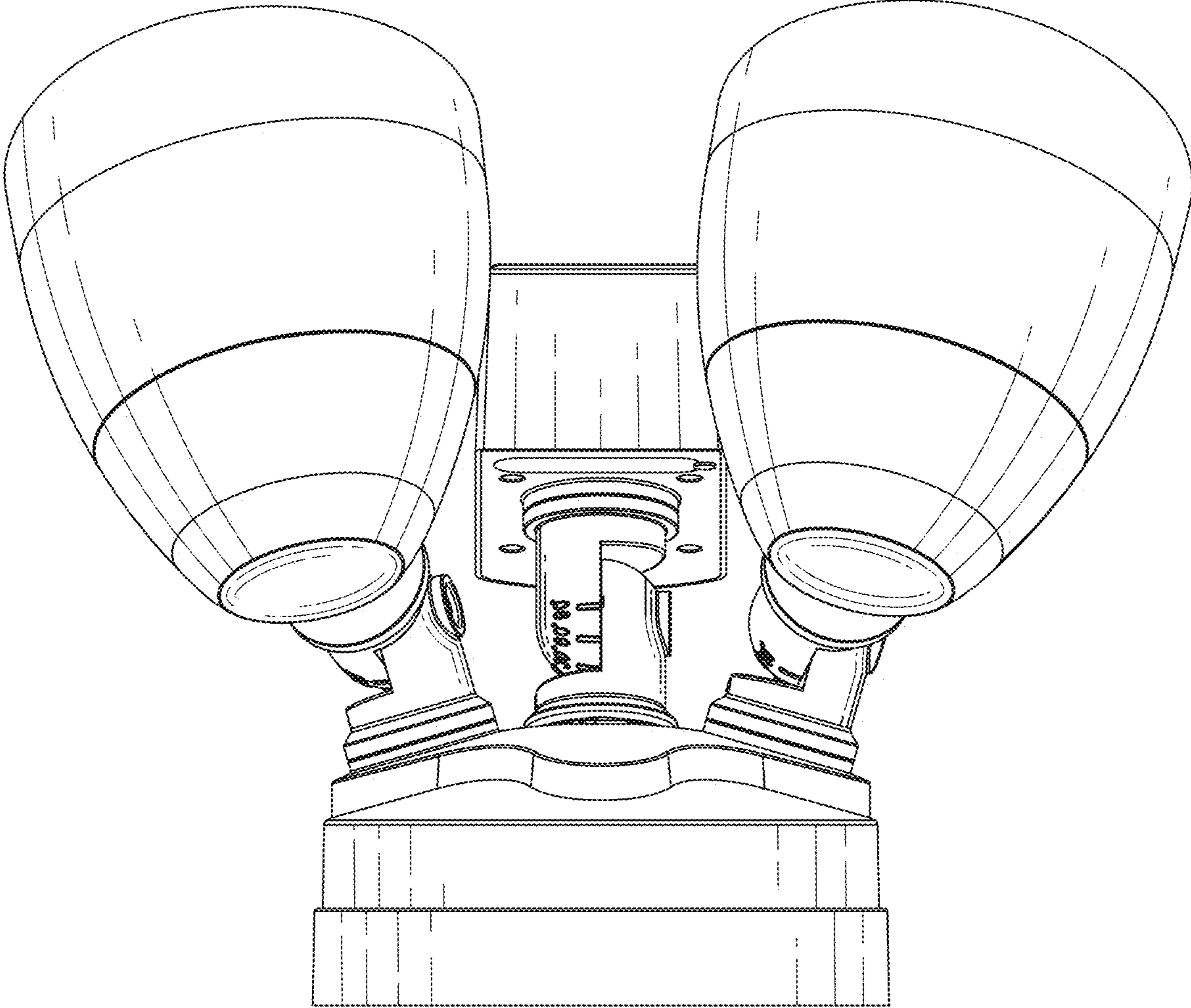


FIG. 6

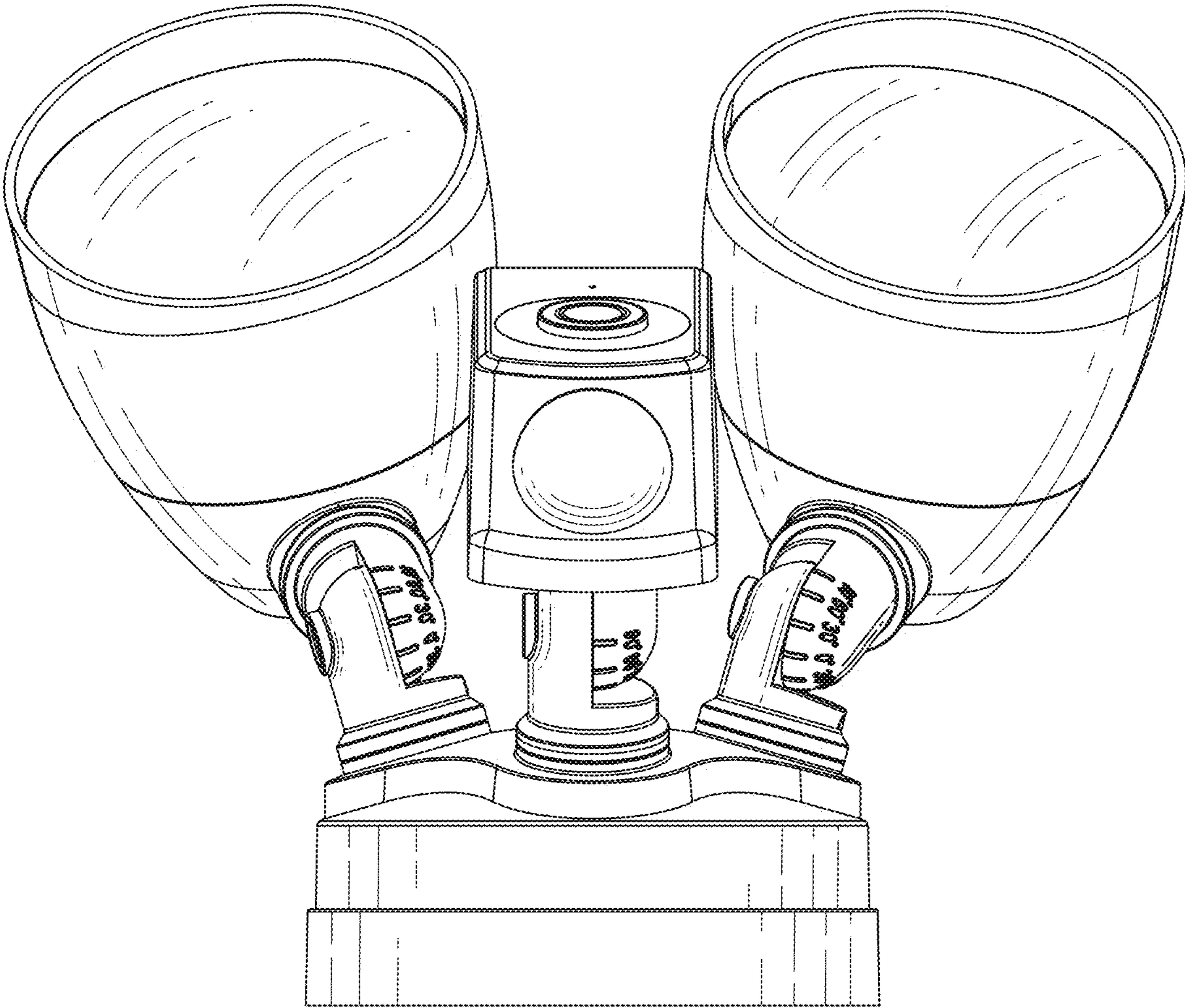


FIG. 7