



US00D970769S

(12) **United States Design Patent** (10) **Patent No.:** **US D970,769 S**  
**Wu** (45) **Date of Patent:** **\*\* Nov. 22, 2022**

(54) **SOLAR SENSOR LIGHT**

(71) Applicant: **Xiaoling Wu**, Ningbo (CN)

(72) Inventor: **Xiaoling Wu**, Ningbo (CN)

(\*\*) Term: **15 Years**

(21) Appl. No.: **29/698,251**

(22) Filed: **Jul. 16, 2019**

(51) **LOC (13) Cl.** ..... **26-05**

(52) **U.S. Cl.**  
USPC ..... **D26/63**

(58) **Field of Classification Search**  
USPC ..... D26/63, 106, 3, 13, 110, 102, 67  
CPC ..... F21V 17/12; F21V 23/06; F21V 21/02  
See application file for complete search history.

(56) **References Cited**

**U.S. PATENT DOCUMENTS**

D661,420 S	6/2012	Liang	
D914,261 S *	3/2021	Ouyang	D26/65
D922,645 S *	6/2021	Gowing	D26/63
D929,008 S *	8/2021	Singh	D26/63
D934,479 S *	10/2021	Liu	D26/63
D950,820 S *	5/2022	Zheng	D26/63
D950,821 S *	5/2022	Zheng	D26/63
D956,300 S *	6/2022	Yan	D26/65
D956,304 S *	6/2022	Liu	D26/65
D957,024 S *	7/2022	Chen	D26/63

**OTHER PUBLICATIONS**

Viugreum 2 Pack Solar Security Light Outdoor, dated Aug. 17, 2018, [online], [site visited Aug. 22, 2022]. Available from Internet, URL: <https://www.amazon.com/Viugreum-Security-Adjustable-Daylight-Waterproof/dp/B08FLGPTFF/> (Year: 2018).\*

\* cited by examiner

*Primary Examiner* — Shawn T Gingrich

*Assistant Examiner* — Kathryn Elizabeth Chambers

(74) *Attorney, Agent, or Firm* — Rumit Ranjit Kanakia

(57) **CLAIM**

The ornamental design for a solar sensor light, as shown and described.

**DESCRIPTION**

FIG. 1 is a front and top perspective view of a solar sensor light showing my new design;

FIG. 2 is a back and bottom perspective view thereof;

FIG. 3 is a front view thereof;

FIG. 4 is a back view thereof;

FIG. 5 is a left side view thereof;

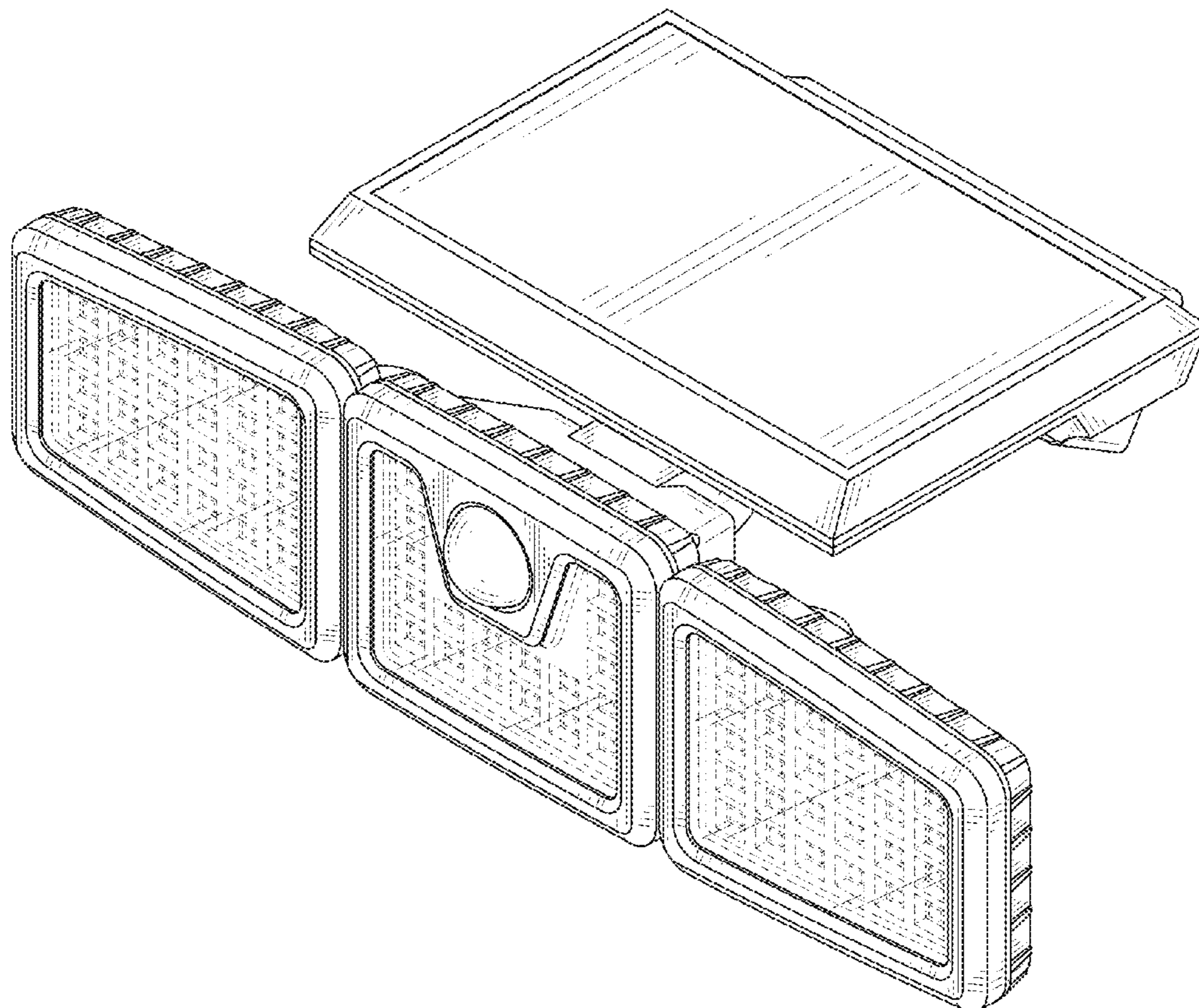
FIG. 6 is a right side view thereof;

FIG. 7 is a top view thereof; and,

FIG. 8 is a bottom view thereof.

The broken lines in the figures illustrate portions of the solar sensor light that form no part of the claimed design.

**1 Claim, 8 Drawing Sheets**



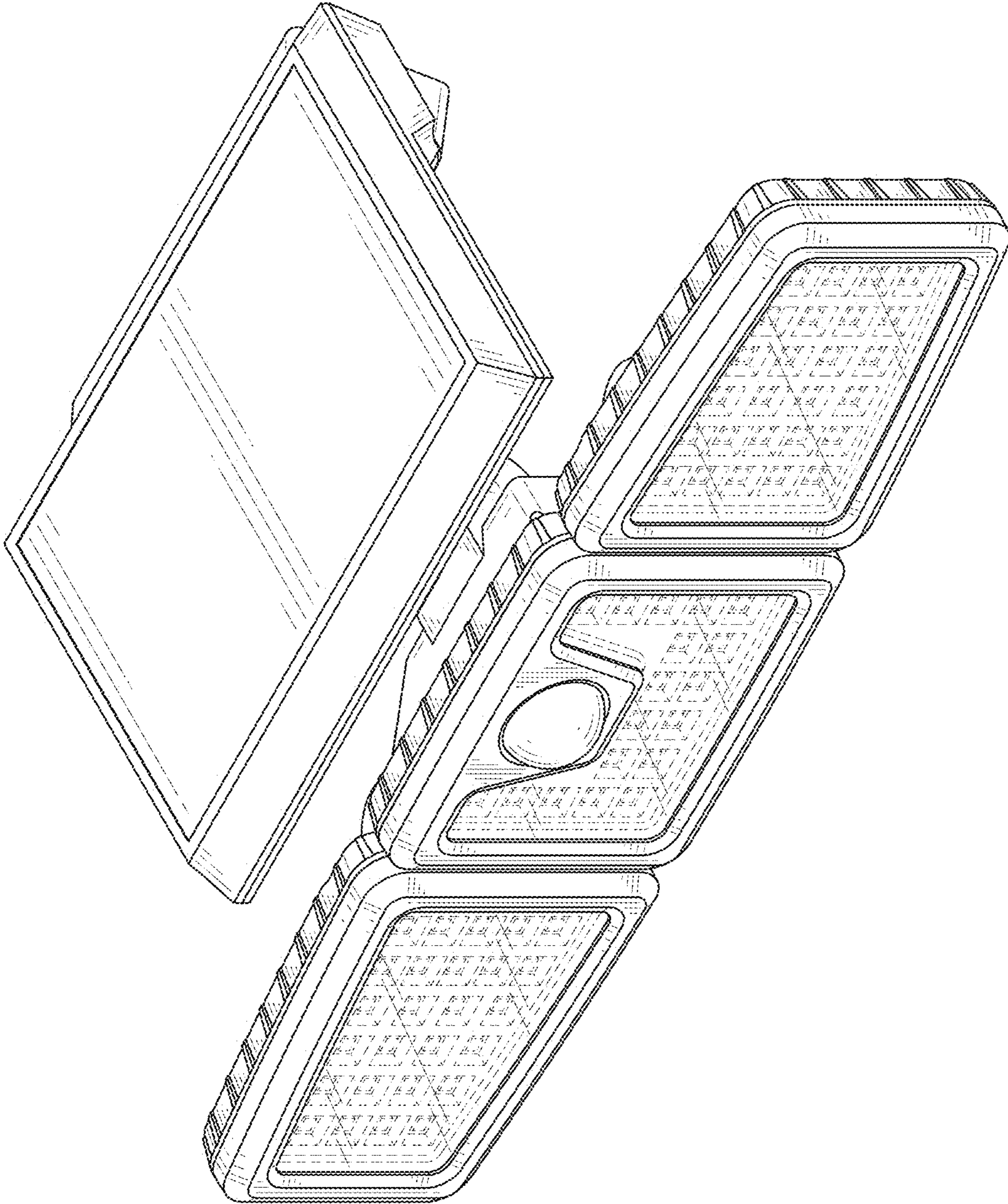


FIG. 1

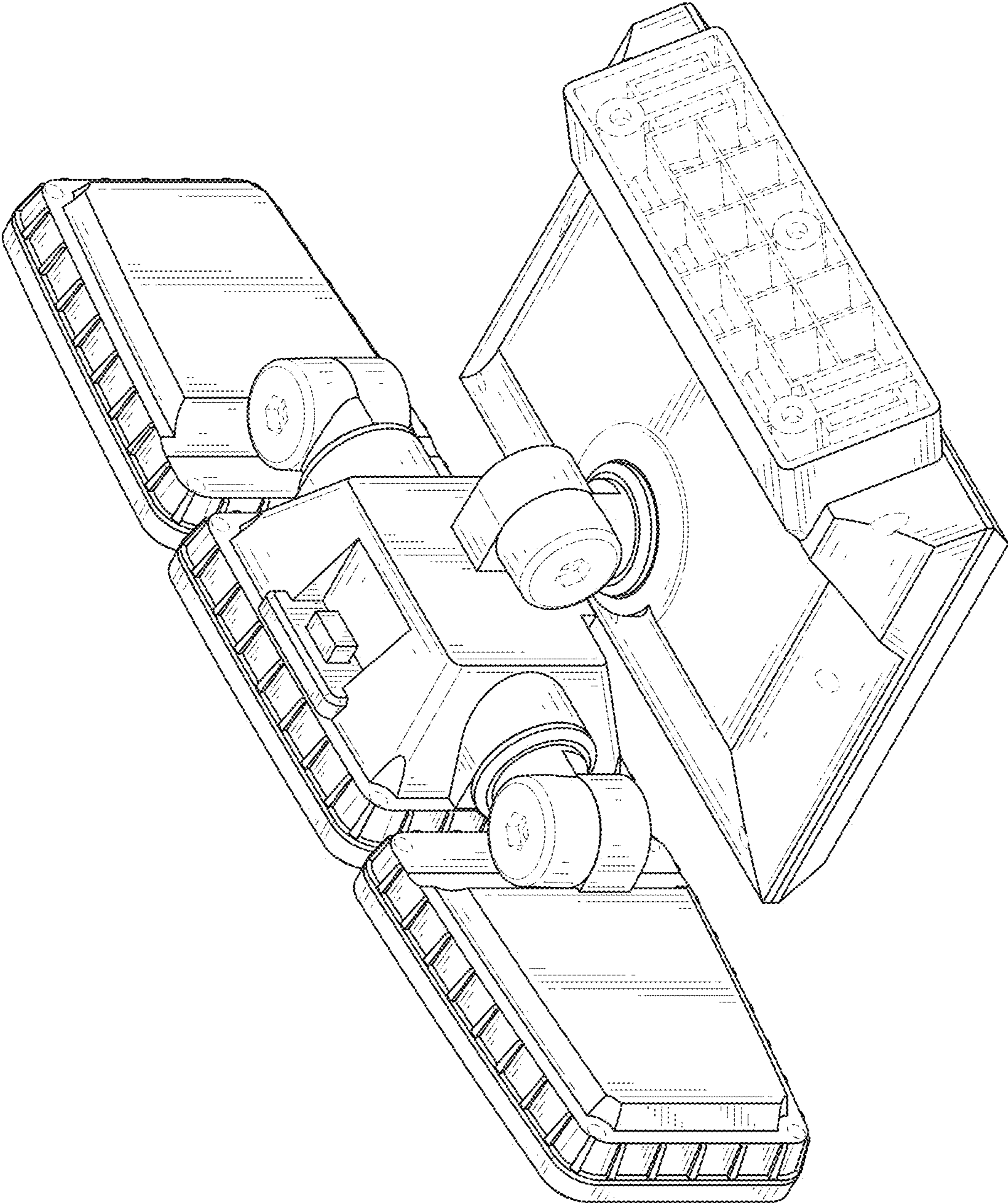


FIG. 2

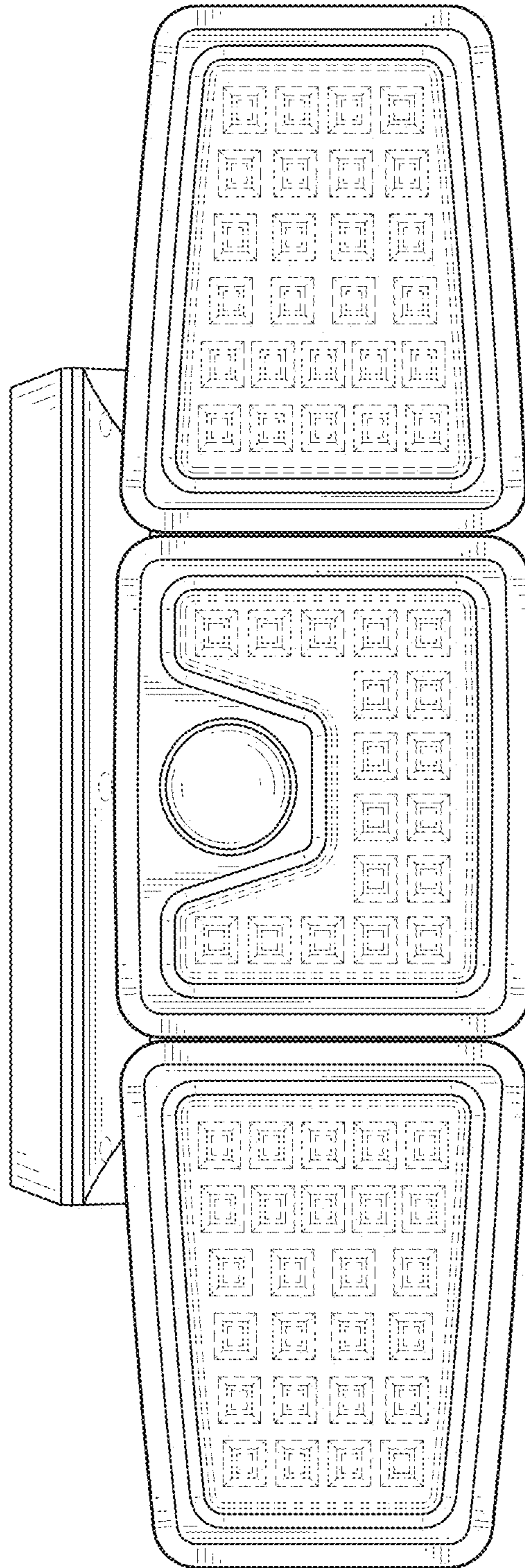


FIG. 3

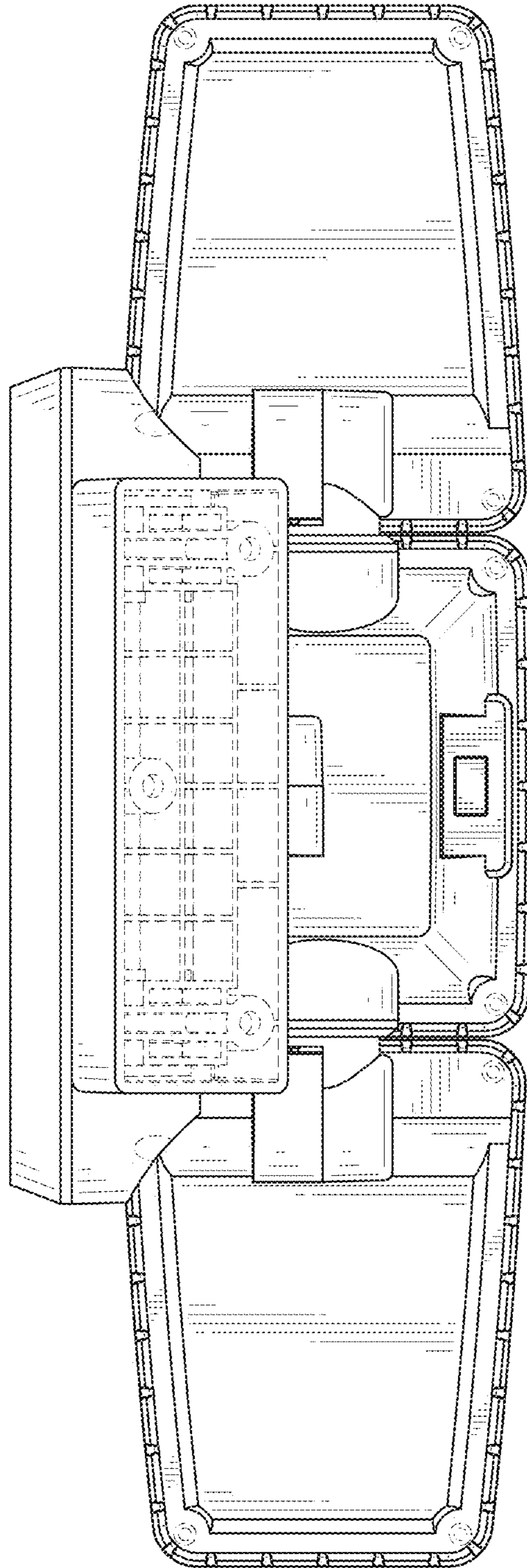


FIG. 4

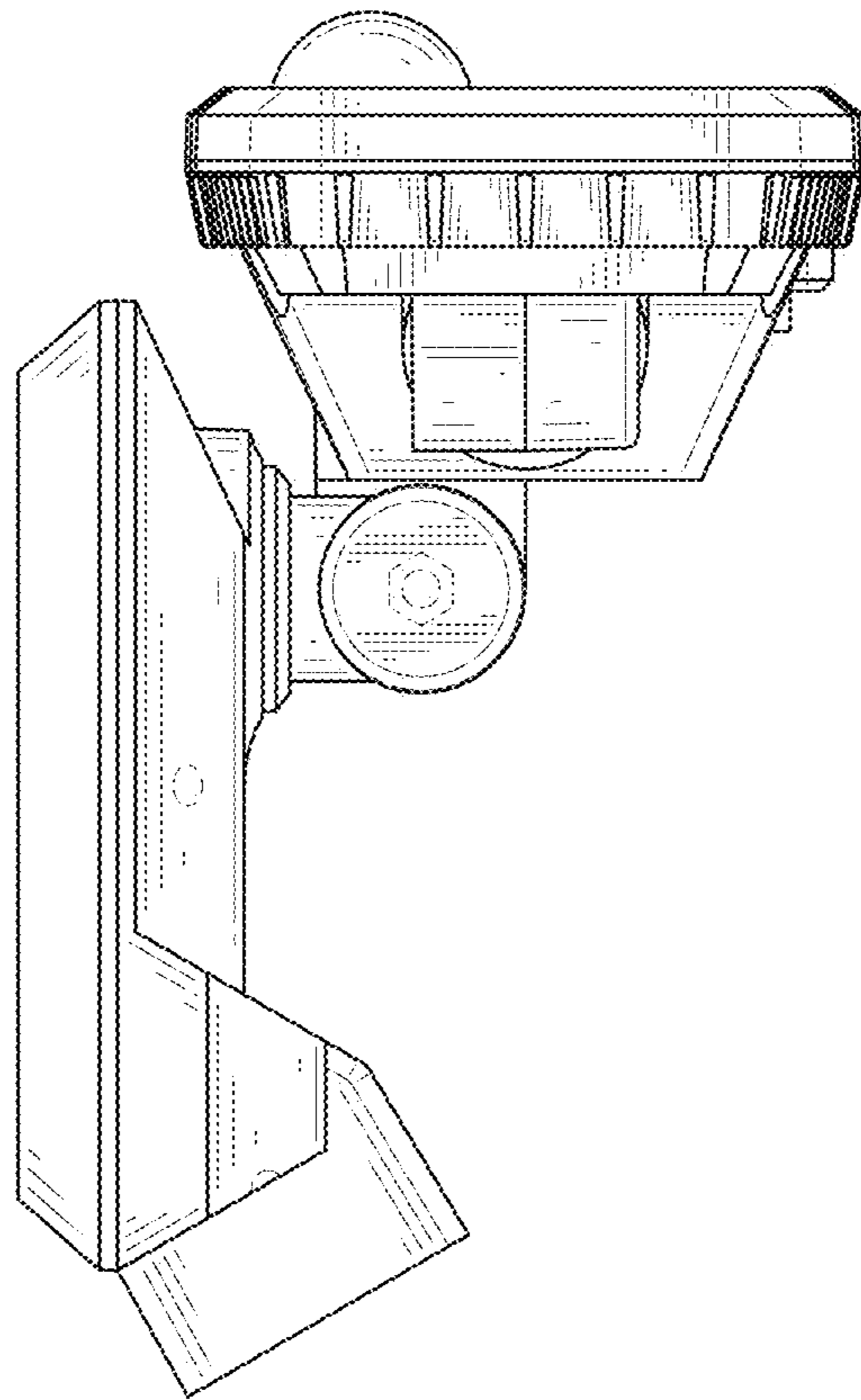


FIG. 5

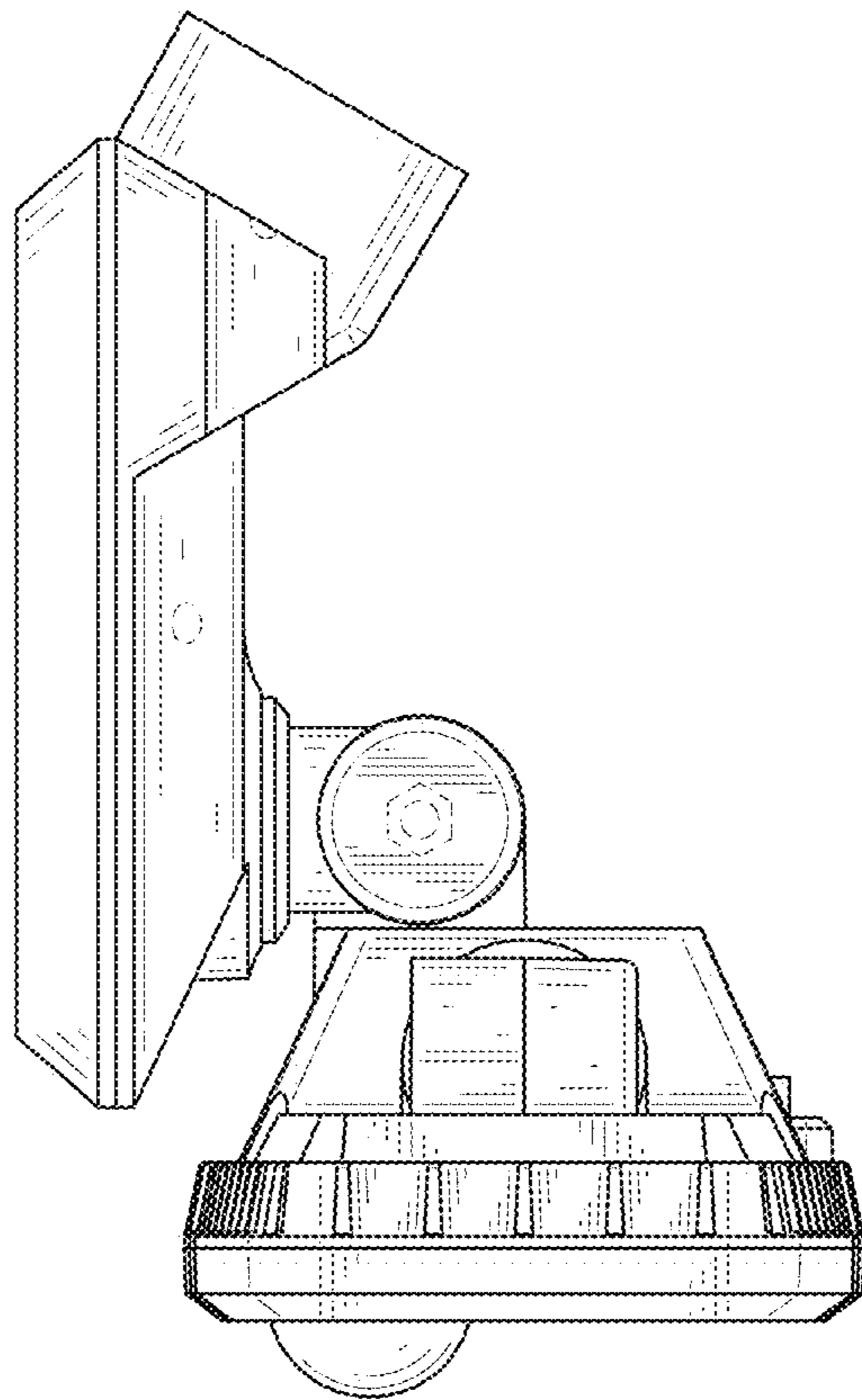


FIG. 6

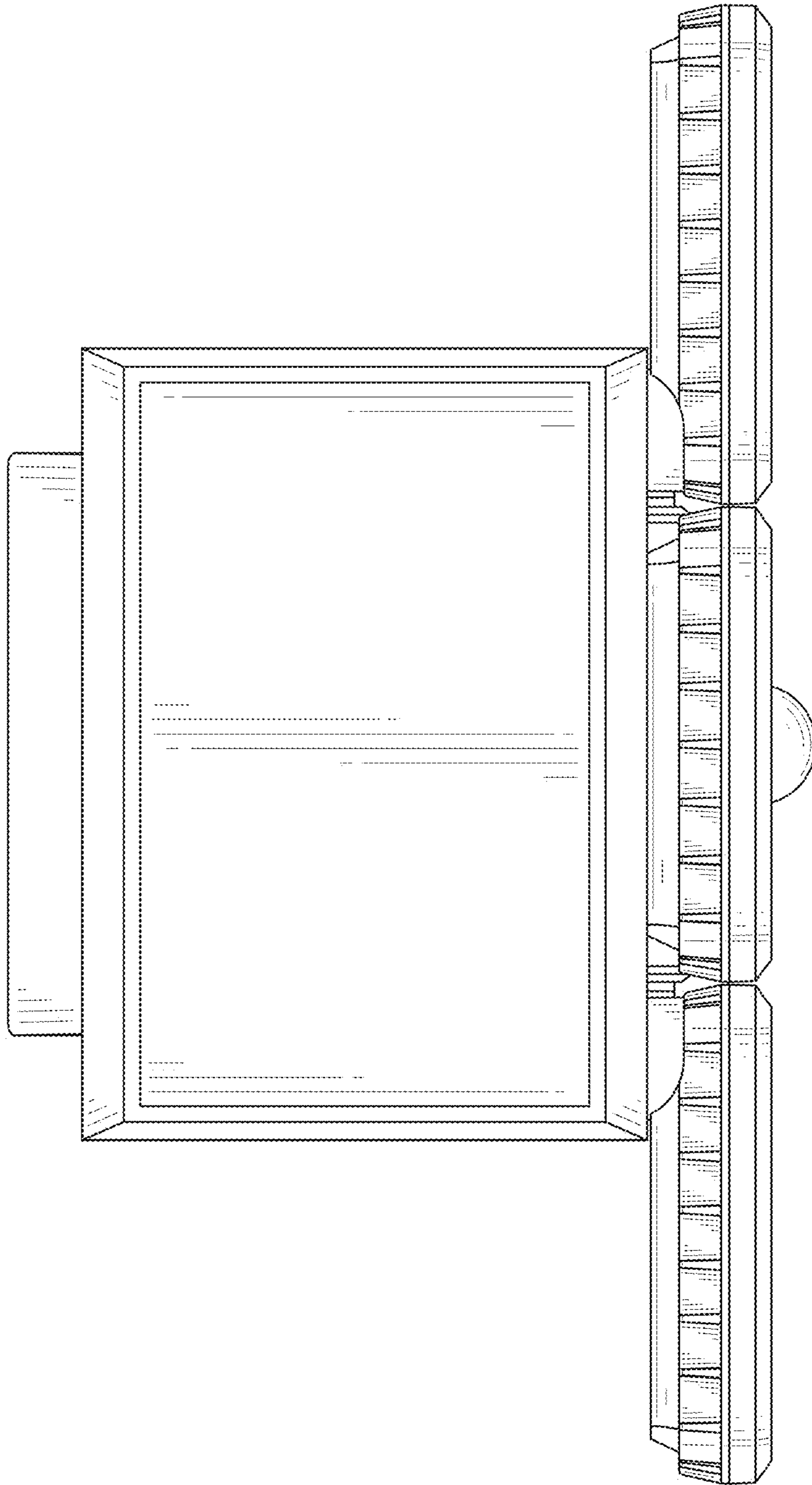


FIG. 7



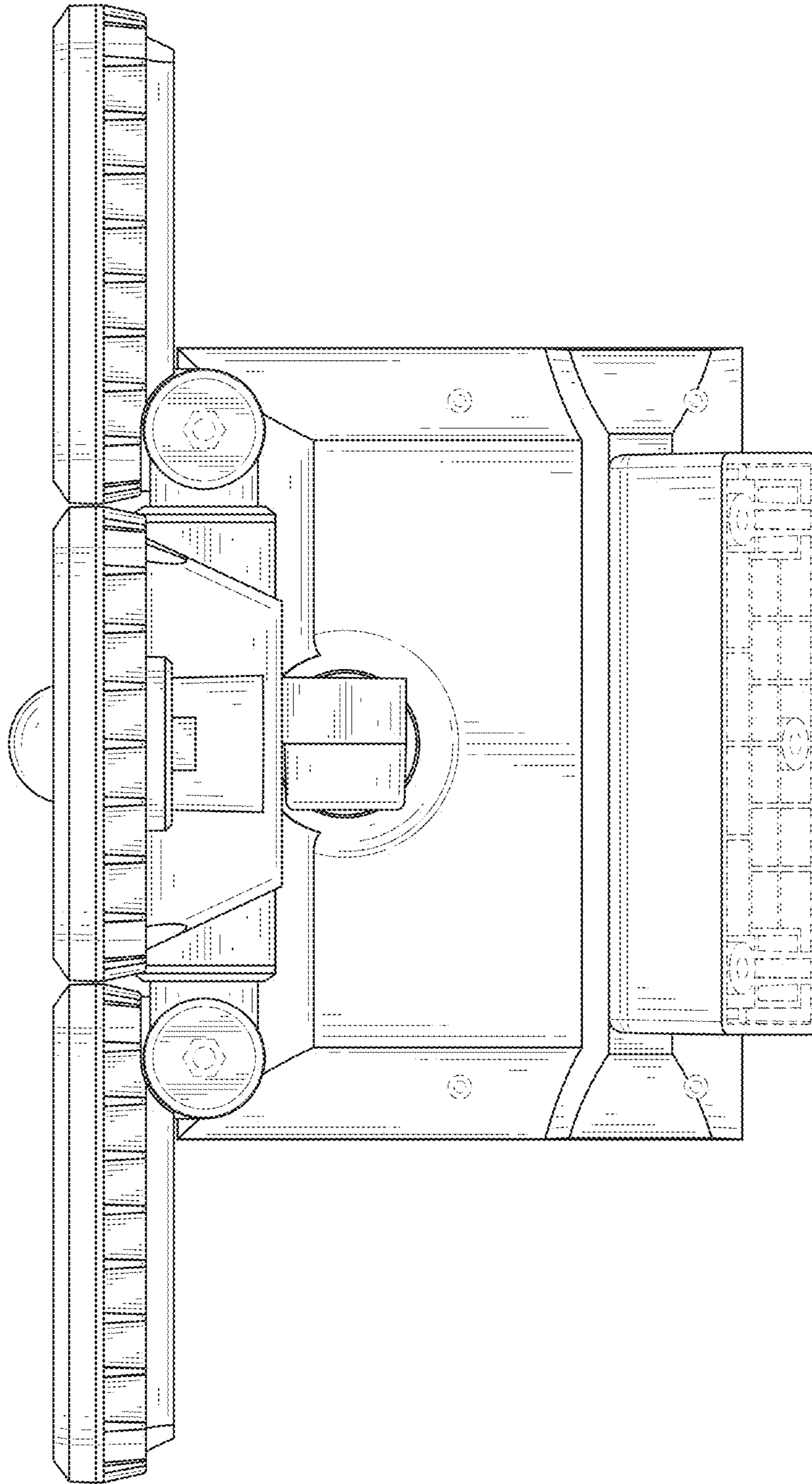


FIG. 8