



US00D970768S

(12) **United States Design Patent** (10) **Patent No.:** **US D970,768 S**
Chen (45) **Date of Patent:** **** Nov. 22, 2022**

(54) **SOLAR LIGHT**

D927,041 S * 8/2021 Sun D26/90
D927,762 S 8/2021 Zhang
D935,667 S * 11/2021 Dai D10/116.1

(71) Applicant: **QUANZHOU AOJIAHUA ELECTRONIC TECHNOLOGY CO., LTD.**, Quanzhou (CN)

(Continued)

FOREIGN PATENT DOCUMENTS

(72) Inventor: **Zenghua Chen**, Fuding (CN)

CA 2818379 A1 * 11/2014 G10K 1/10
CN 306157198 * 11/2020

(73) Assignee: **QUANZHOU AOJIAHUA ELECTRONIC TECHNOLOGY CO., LTD.**, Quanzhou (CN)

(Continued)

OTHER PUBLICATIONS

(**) Term: **15 Years**

“LED Solar Butterfly Wind Chimes,” Apr. 29, 2018, amazon.com, site visited Aug. 19, 2022, URL: <https://www.amazon.com/dp/B07CRHVTBC/> (Year: 2018).*

(21) Appl. No.: **29/805,858**

(Continued)

(22) Filed: **Aug. 31, 2021**

(51) **LOC (13) Cl.** **26-05**

(52) **U.S. Cl.**
USPC **D26/51**; D26/4; D26/57; D26/73

Primary Examiner — Eric L Goodman
Assistant Examiner — Sarah L Smith

(58) **Field of Classification Search**
USPC D26/37–44, 46–52, 67, 85, 87, 60, 61, D26/36, 25, 27, 113, 104, 4, 57, 69, 70, D26/72, 73, 80, 90; D10/109.1, 111–115; D11/141; D17/10

(57) **CLAIM**

The ornamental design for a solar light, as shown and described.

CPC F21L 4/00; F21L 2005/00; F21L 19/00; F21Y 2107/30; H05B 47/10; H02J 7/0044; F21V 5/006; F21V 21/0824; F21V 15/02; F21V 23/0464; F21S 9/022; F21S 9/037; F21S 9/03; F21S 10/02; F21S 10/026; F21S 4/20; F21S 8/081; F21W 2131/1005

DESCRIPTION

FIG. 1 is a perspective view of a solar light showing my new design;
FIG. 2 is another perspective view thereof;
FIG. 3 is a front elevational view thereof;
FIG. 4 is a rear elevational view thereof;
FIG. 5 is a left side elevational view thereof;
FIG. 6 is a right side elevational view thereof;
FIG. 7 is a top plan view thereof;
FIG. 8 is a bottom plan view thereof; and,
FIG. 9 is an enlarged view of portion 9 shown in FIG. 1.
The dash-dash broken lines in the drawings depict portions of the solar light that form no part of the claimed design. The dot-dash broken lines represent boundaries of the enlarged portion and form no part of the claimed design.

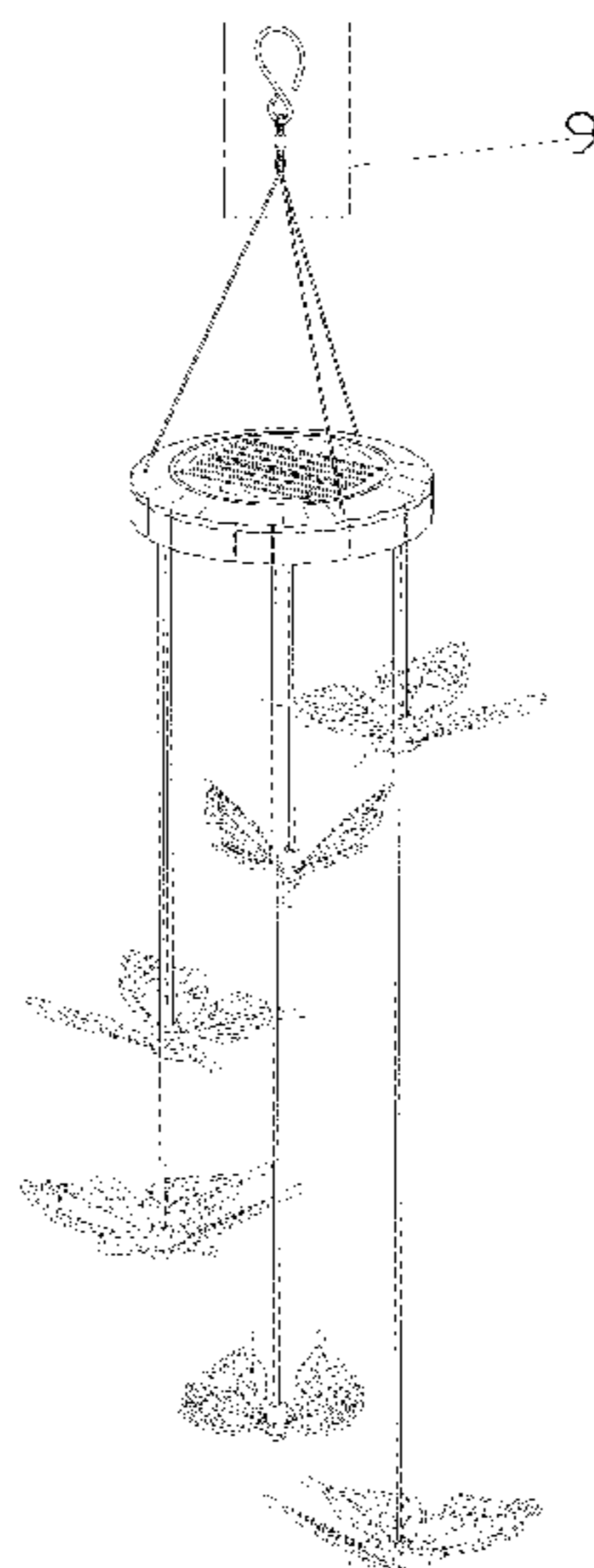
See application file for complete search history.

(56) **References Cited**

U.S. PATENT DOCUMENTS

4,854,214 A * 8/1989 Lowe G10K 1/066 362/253
D387,460 S * 12/1997 Huang D26/73
D617,039 S * 6/2010 Sabernig D26/104
D698,983 S * 2/2014 Rampolla D26/88
D833,054 S * 11/2018 Lovegrove D26/90

1 Claim, 9 Drawing Sheets



(56)

References Cited

U.S. PATENT DOCUMENTS

D938,513 S * 12/2021 Sun D17/10
D947,054 S * 3/2022 Xu D10/118.1
D948,100 S * 4/2022 Coombes G10K 1/066
D26/81
D951,336 S * 5/2022 Zhou F21S 9/037
D17/10
2004/0083876 A1 * 5/2004 Maegli G10K 1/07
84/410
2019/0128486 A1 * 5/2019 Hollinger F21S 9/037

FOREIGN PATENT DOCUMENTS

GB 6145870 * 6/2021
WO WO-2015018398 A1 * 2/2015 F21L 11/00

OTHER PUBLICATIONS

“Solar Color Changing Wind Chimes,” Jun. 16, 2021, amazon.com, site visited Aug. 19, 2022, URL: <https://www.amazon.com/Changing-Housewarming-Outdoor-Friends-Neighbor/dp/B097BK8ZQN?th=1> (Year: 2021).*

* cited by examiner

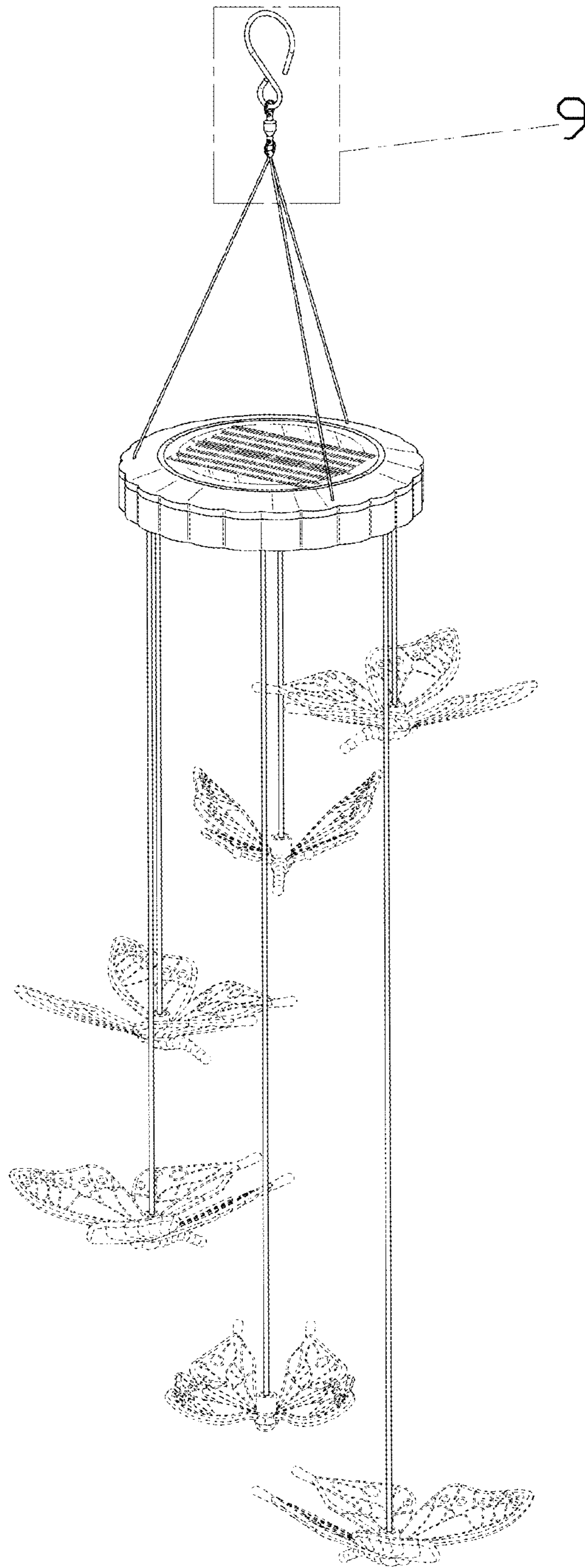


FIG. 1

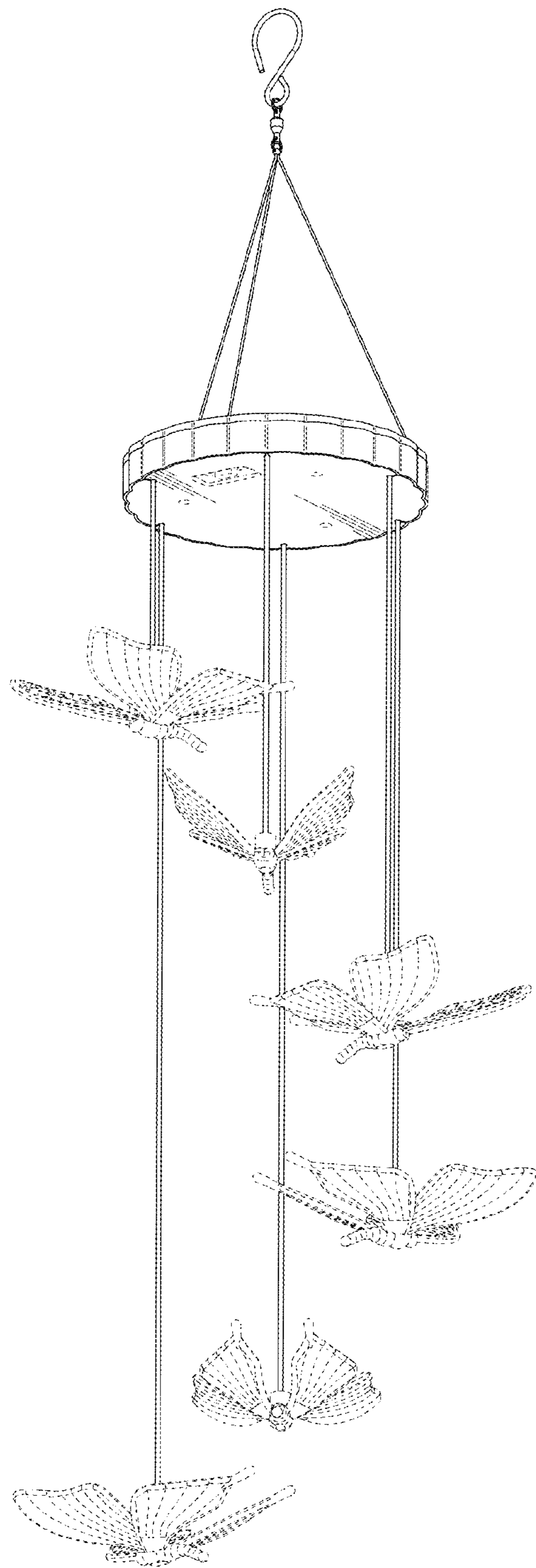


FIG. 2

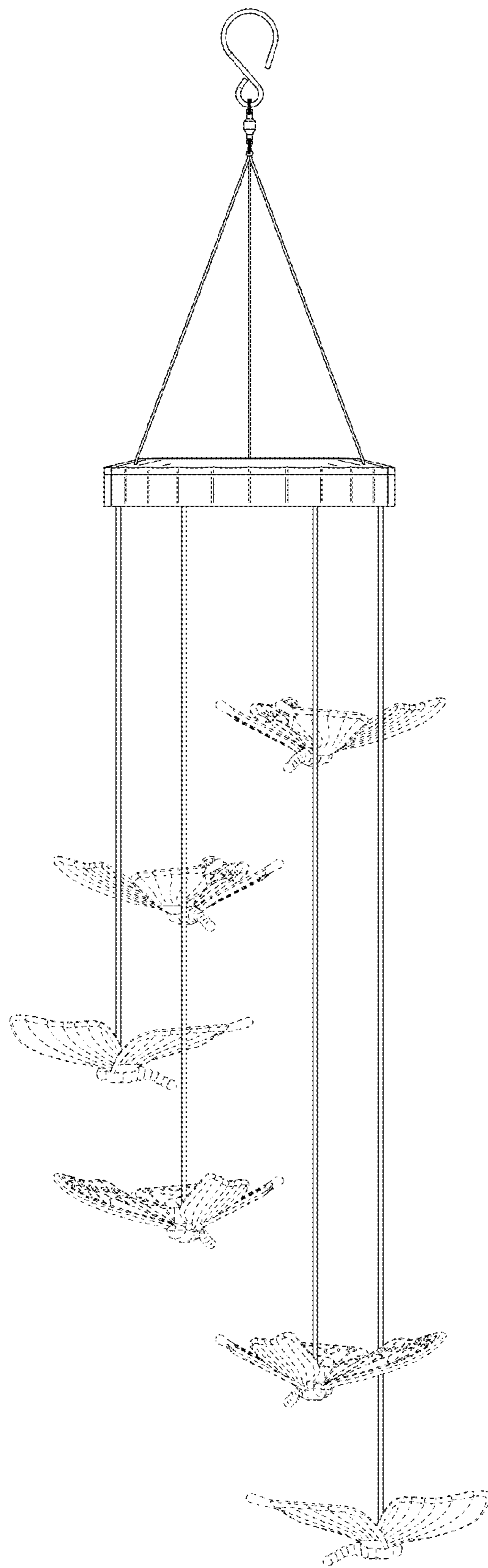


FIG. 3

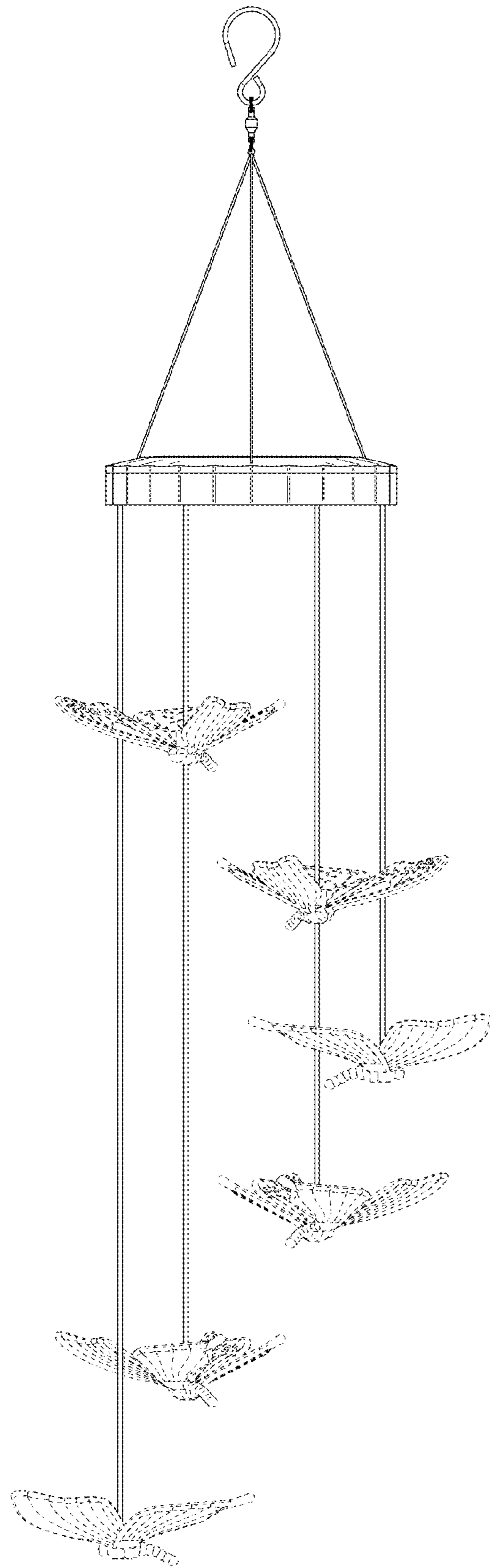


FIG. 4

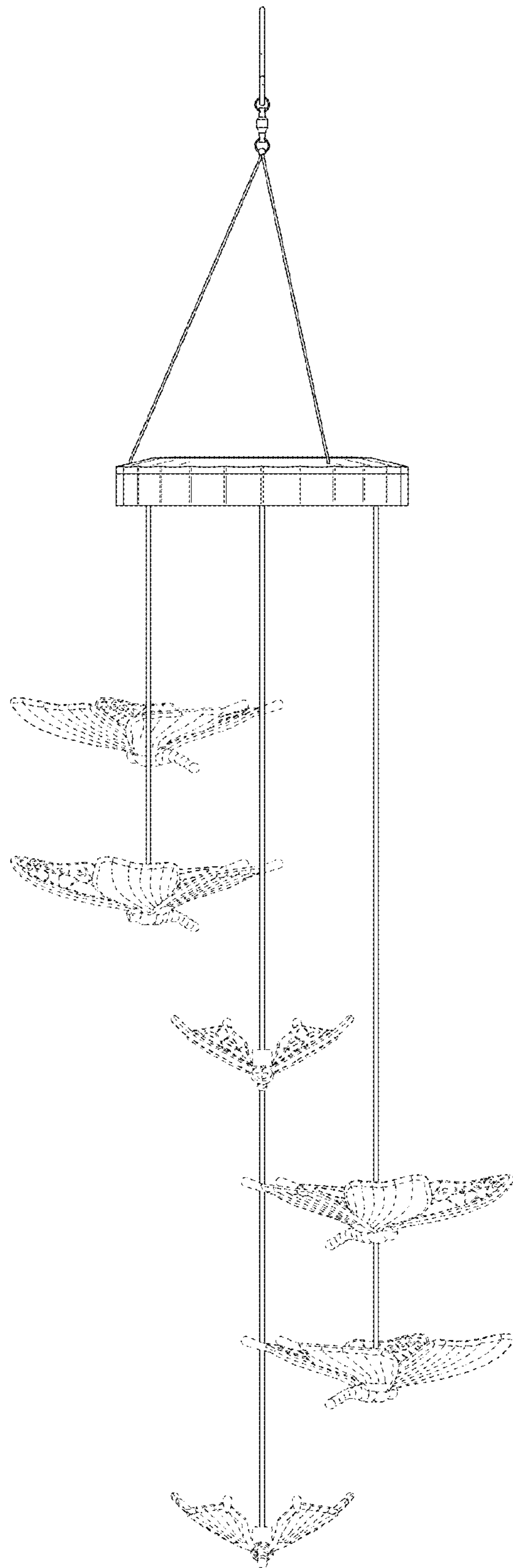


FIG. 5

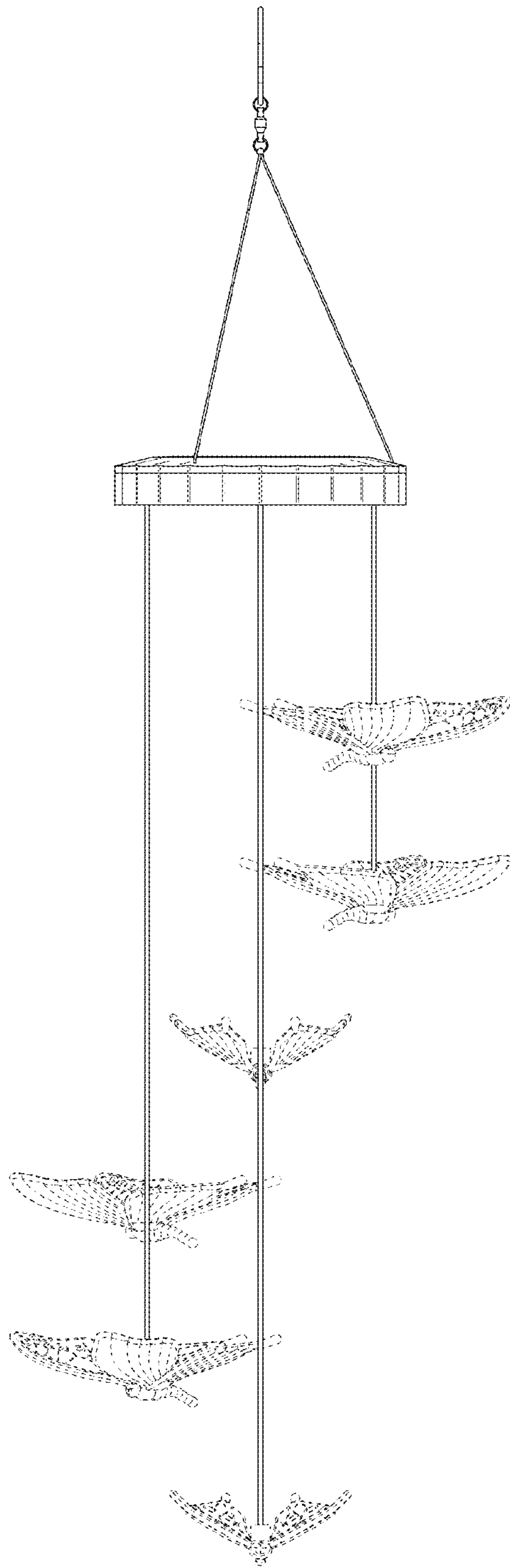


FIG. 6

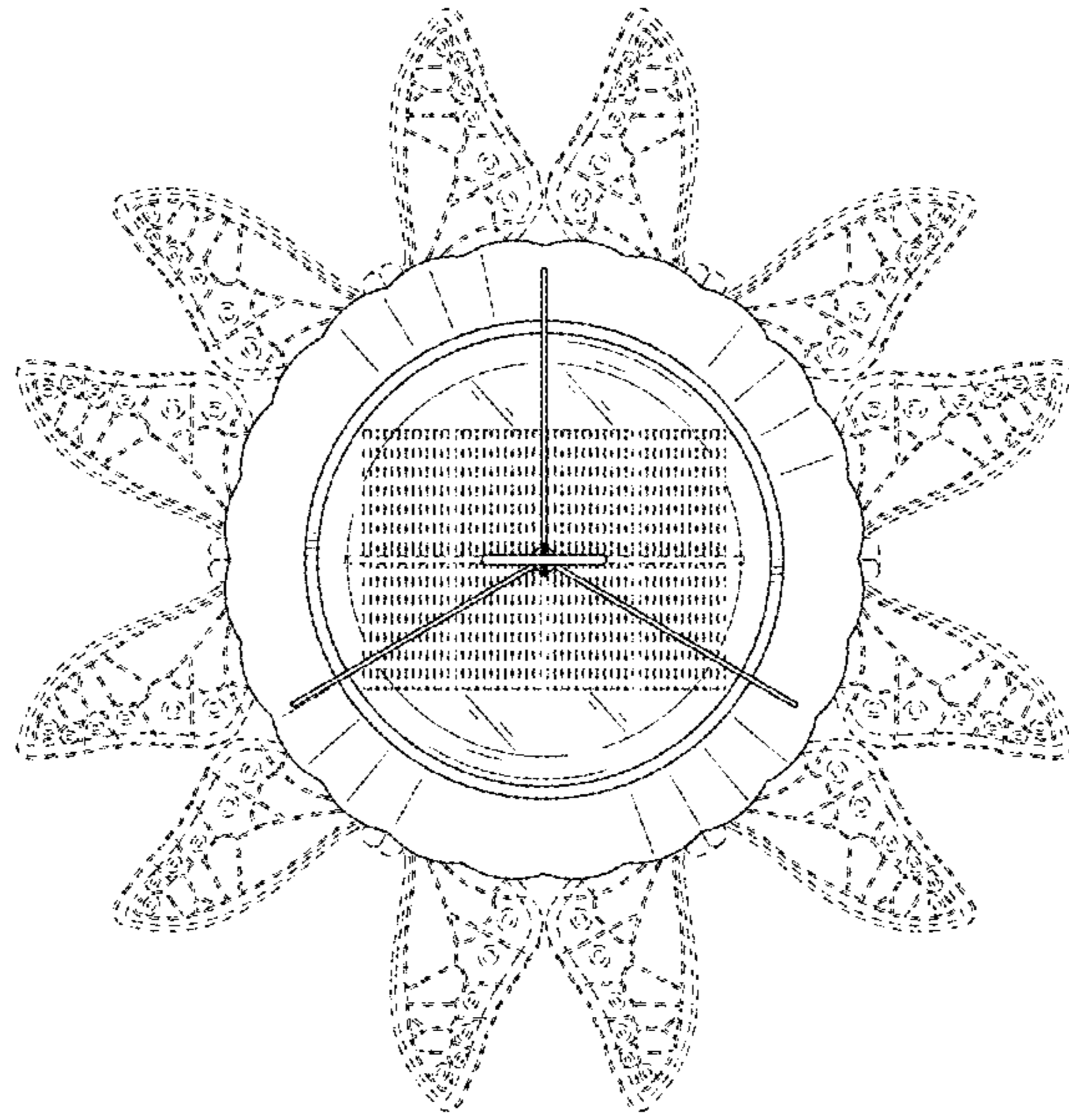


FIG. 7

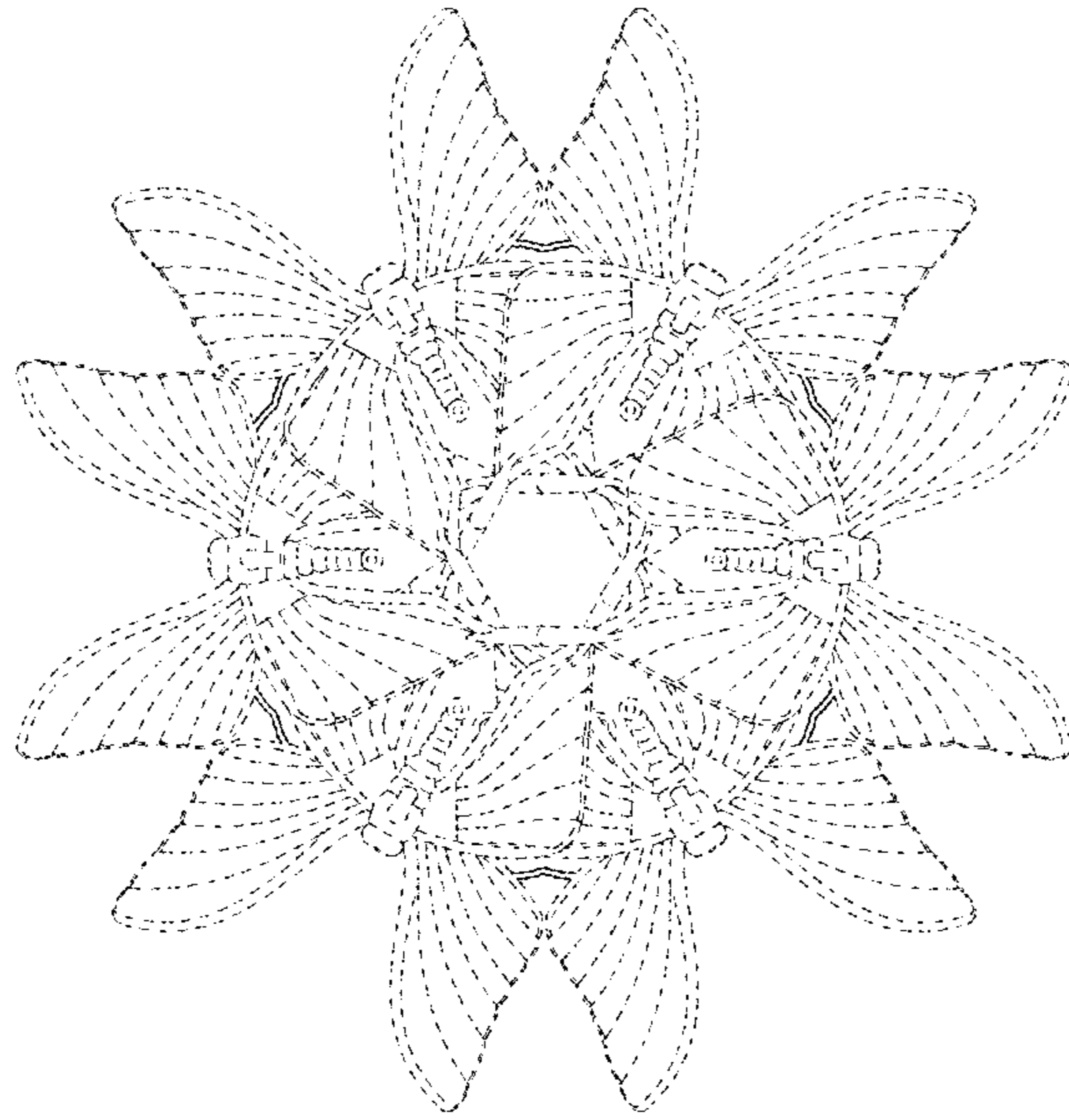


FIG. 8

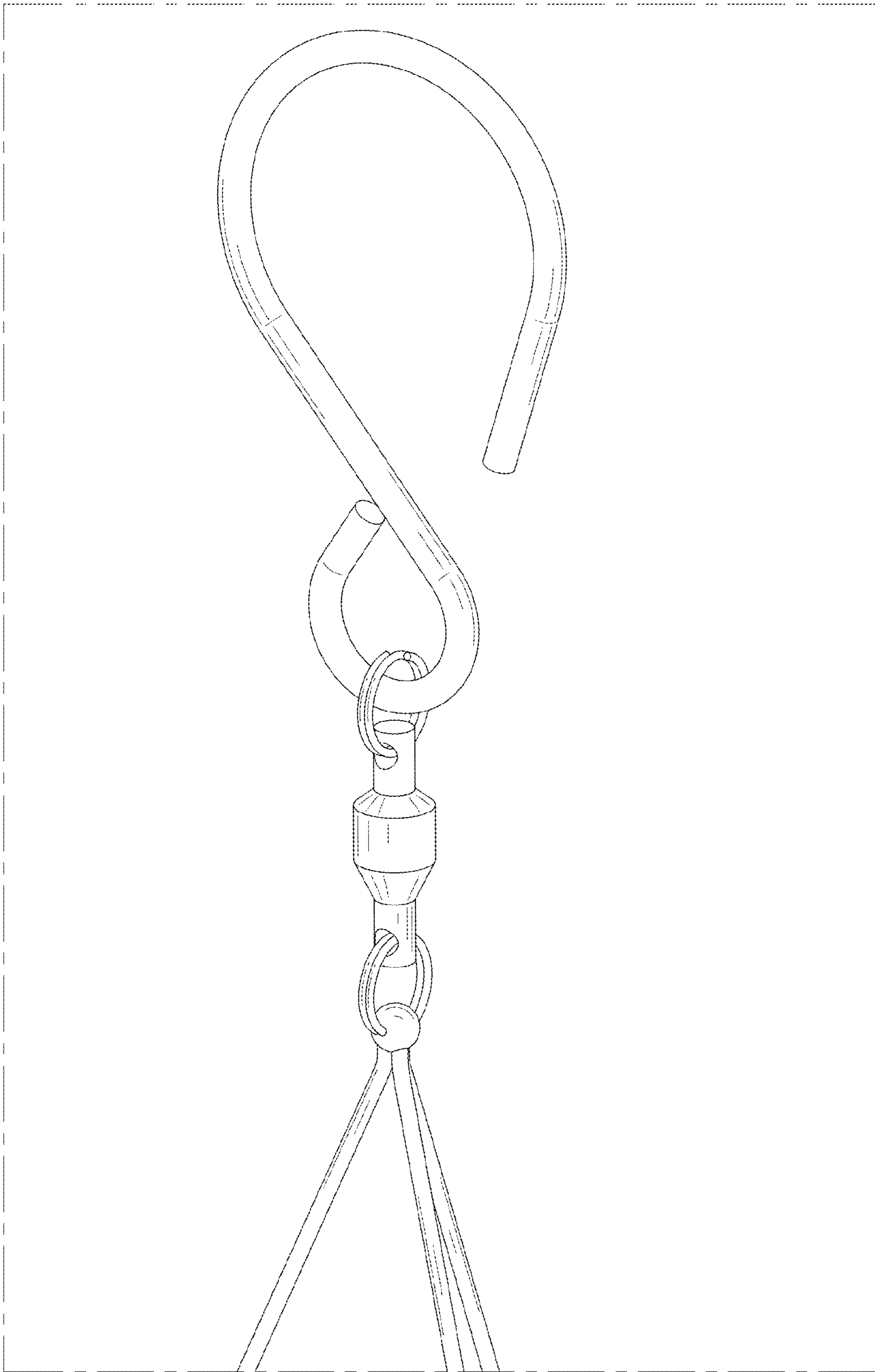


FIG. 9