



US00D970766S

(12) **United States Design Patent** (10) **Patent No.:** **US D970,766 S**
Wu (45) **Date of Patent:** **** Nov. 22, 2022**

(54) **LED EMERGENCY LAMP**
(71) Applicant: **Shenzhen Lightmall Limited.,**
Shenzhen (CN)
(72) Inventor: **Tiejun Wu,** Shenzhen (CN)
(**) Term: **15 Years**
(21) Appl. No.: **29/785,271**
(22) Filed: **May 25, 2021**
(51) **LOC (13) Cl.** **26-02**
(52) **U.S. Cl.**
USPC **D26/37**
(58) **Field of Classification Search**
USPC D26/24, 37-52, 60, 72, 81, 88, 93,
D26/104-107, 113, 118-120, 138
CPC F21S 9/022; F21S 8/035; F21S 9/02; F21S
43/14; F21S 8/00; F21S 9/03; F21S 4/28;
F21S 6/003; F21Y 2115/10; F21Y
2101/00; B60Q 1/52; B60Q 1/2696;
F21V 19/001; F21V 27/005; F21V
21/0965
See application file for complete search history.

D844,873 S * 4/2019 Koshiba D26/44
D878,648 S * 3/2020 Zhao D26/37
D880,021 S * 3/2020 Meise D26/24
D883,548 S 5/2020 Mitchell et al.
D938,640 S * 12/2021 Zou D26/85

OTHER PUBLICATIONS

LED Camping Lantern. By CT Capetronix. Dated Apr. 30, 2021. Found online [Mar. 7, 2022]. <https://www.amazon.com/CT-CAPETRONIX-Rechargeable-Brightness-Accessories/dp/B08TWD24FC> (Year: 2021).
LED Camping Lantern, CT CAPETRONIX Rechargeable Camping Light Bar with Magnetic Base 1000LM Dimmable, Waterproof Tent Light for Camping Hiking Fishing Emergency Hurricane RV . . . , Amazon.com, Jan. 25, 2021, CT CAPETRONIX, <https://www.amazon.com/CT-CAPETRONIX-Rechargeable-Brightness-Accessories/dp/B08TWD24FC?th=1> (Jun. 27, 2022).

* cited by examiner

Primary Examiner — Marissa J Cash
Assistant Examiner — William B Melliar
(74) *Attorney, Agent, or Firm* — Rumit Ranjit Kanakia

(57) **CLAIM**

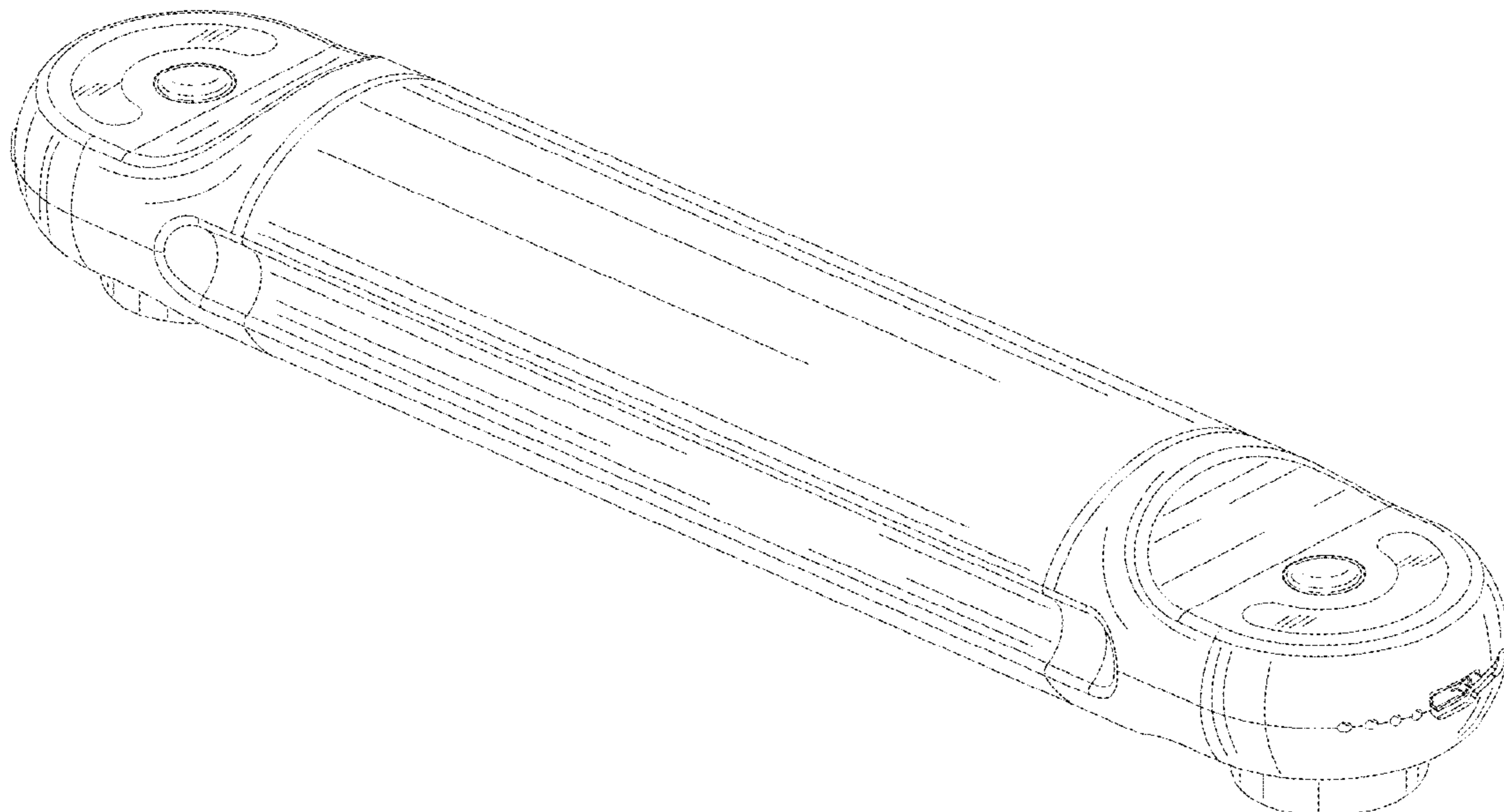
I claim the ornamental design for a LED emergency lamp, as shown and described.

DESCRIPTION

FIG. 1 is a perspective view of a LED emergency lamp showing my new design;
FIG. 2 is a front view thereof;
FIG. 3 is a back view thereof;
FIG. 4 is a left-side view thereof;
FIG. 5 is a right-side view thereof;
FIG. 6 is a top view thereof; and,
FIG. 7 is a bottom view thereof.
The broken lines in the drawings depict portions of the LED emergency lamp that form no part of the claimed design.

1 Claim, 4 Drawing Sheets

(56) **References Cited**
U.S. PATENT DOCUMENTS
D501,781 S * 2/2005 Galli D26/37
D544,388 S * 6/2007 Chisholm D10/114.2
D639,465 S * 6/2011 Abernethy D26/37
D642,714 S * 8/2011 Chuah D26/60
D668,382 S * 10/2012 Schieffelin D26/142
D681,494 S * 5/2013 Beghelli D10/114.2
D710,725 S * 8/2014 Laarman D10/114.2
D753,006 S * 4/2016 Deyaf D26/37
D753,856 S * 4/2016 Iwaki D10/114.9
D770,075 S * 10/2016 Huang D26/74
D800,942 S * 10/2017 Poyrah D26/72
D830,588 S * 10/2018 Kuang D26/3



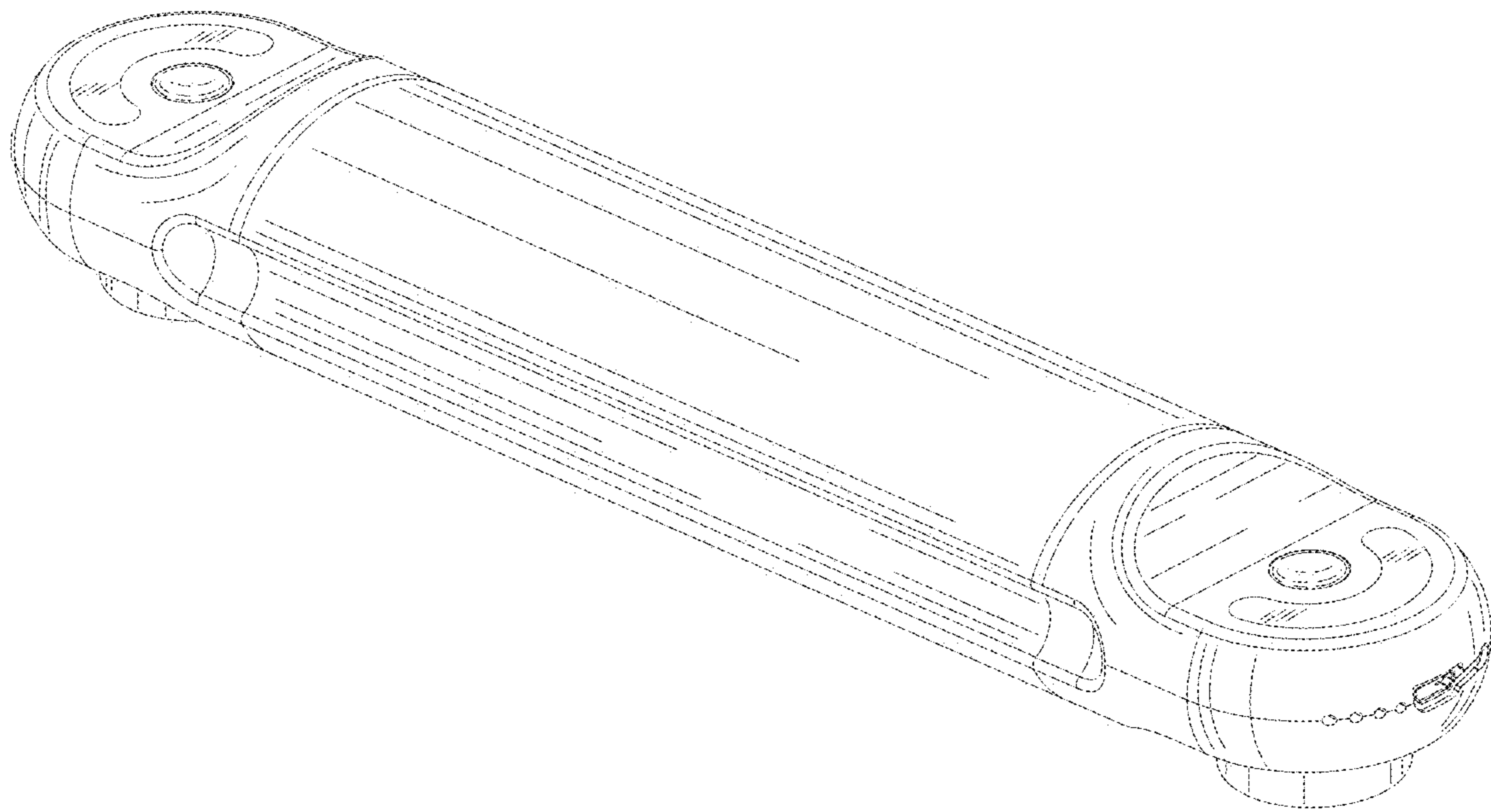


FIG. 1

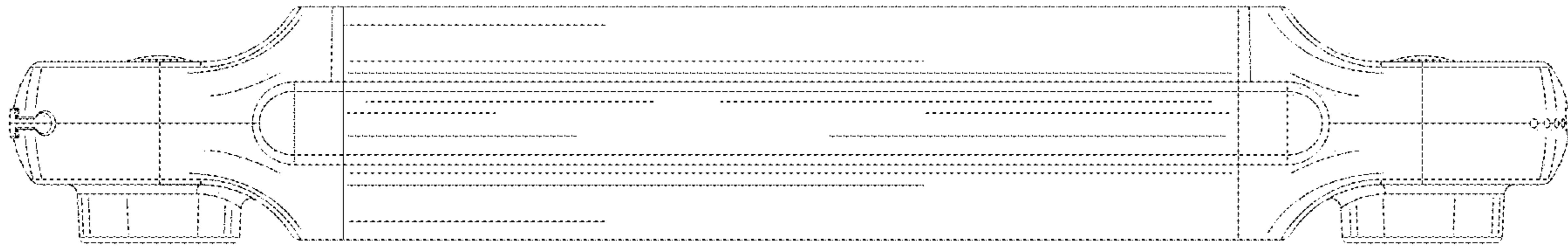


FIG. 2

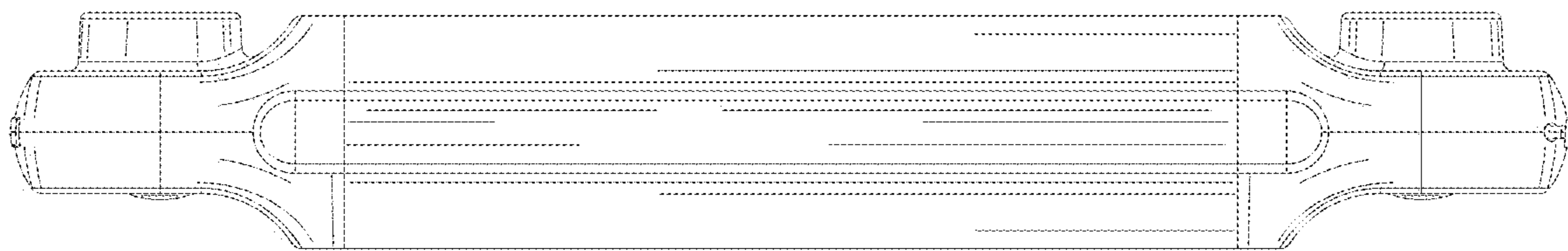


FIG. 3

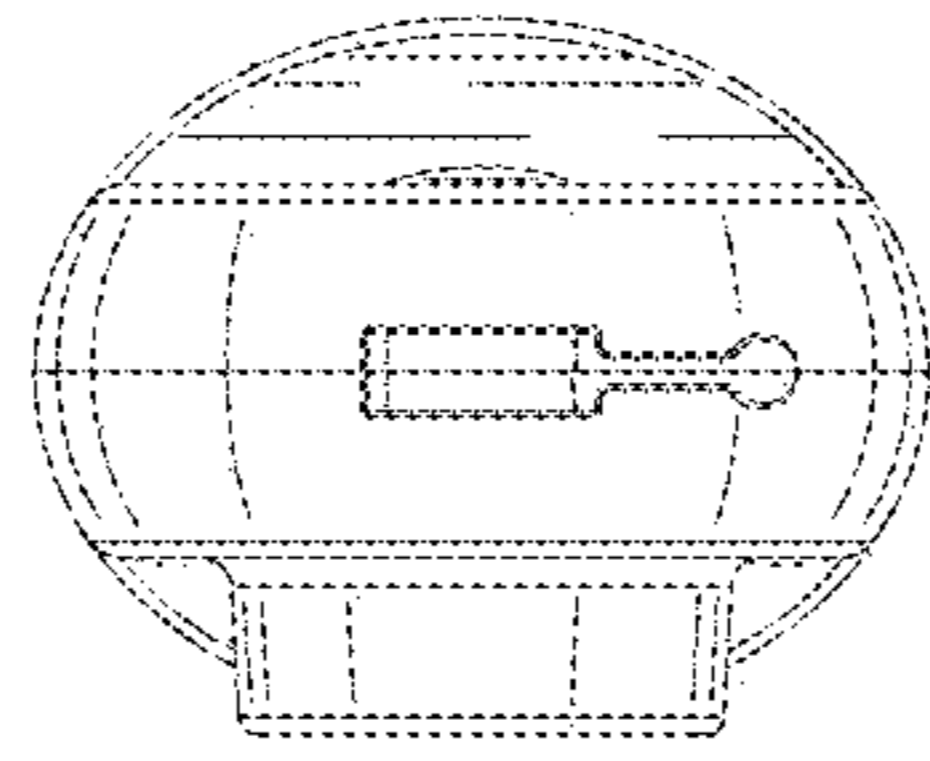


FIG. 4

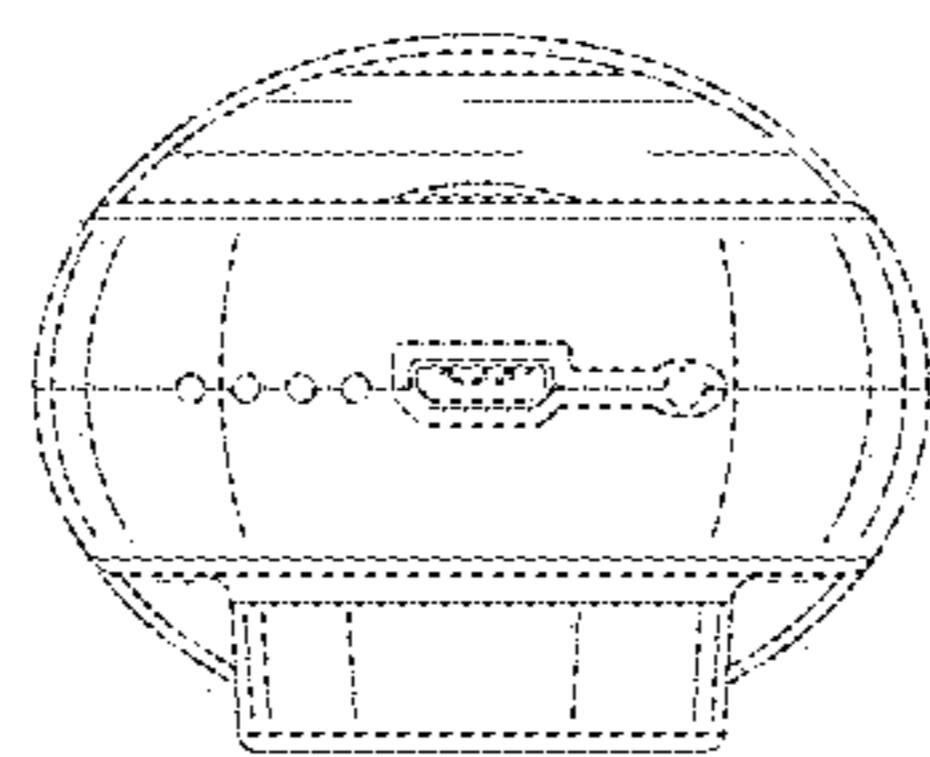


FIG. 5

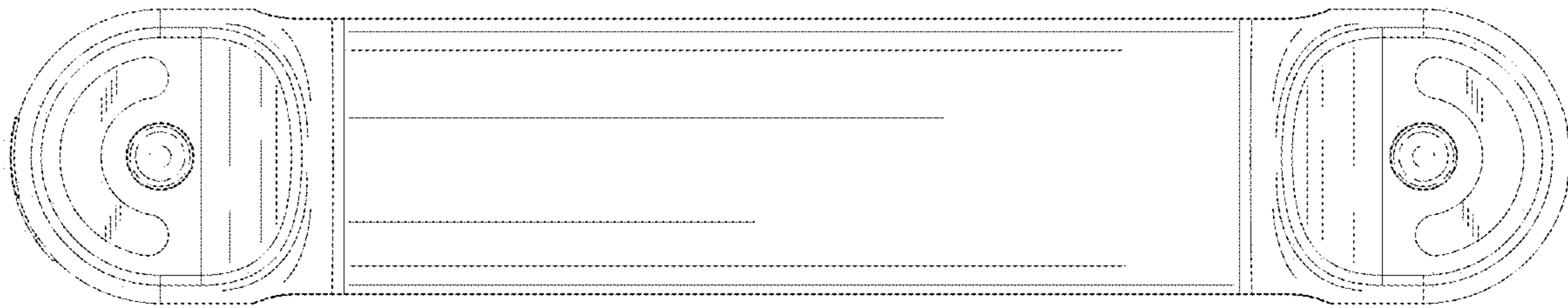


FIG. 6

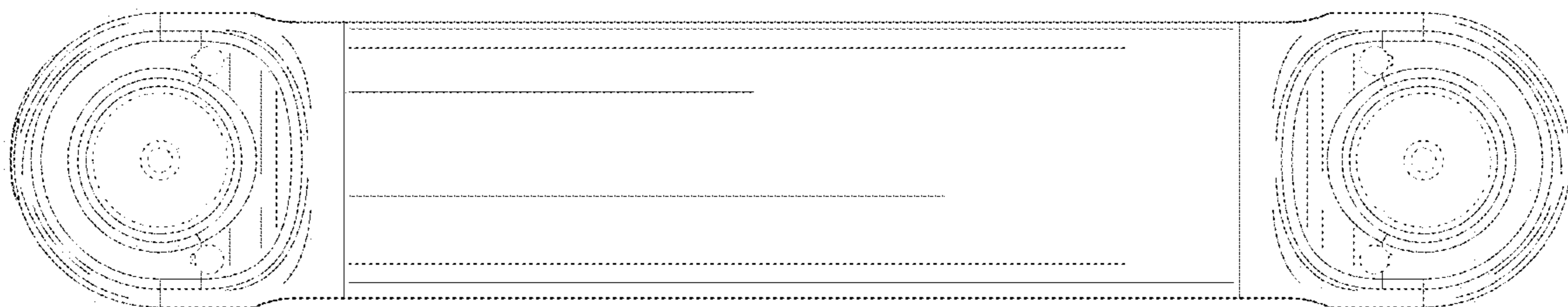


FIG. 7