



US00D970765S

(12) **United States Design Patent**
Li

(10) **Patent No.:** **US D970,765 S**

(45) **Date of Patent:** **** Nov. 22, 2022**

(54) **LED LIGHT**

(71) Applicant: **Shenzhen Chegaibang Vehicle Industry Co., Ltd., Shenzhen (CN)**

(72) Inventor: **Liping Li, Shenzhen (CN)**

(**) Term: **15 Years**

(21) Appl. No.: **29/828,816**

(22) Filed: **Mar. 1, 2022**

(51) **LOC (13) Cl.** **26-06**

(52) **U.S. Cl.**
USPC **D26/28; D26/60**

(58) **Field of Classification Search**
USPC D26/24, 37, 43, 60-63, 64, 65, 93, 102, D26/28, 35
CPC F21K 9/00; F21K 9/20; F21L 4/00; F21L 4/005; F21L 4/06; F21S 9/00; F21S 9/02; F21V 21/042; F21V 21/08; F21V 21/088
See application file for complete search history.

(56) **References Cited**

U.S. PATENT DOCUMENTS

D508,292 S *	8/2005	Colbert, Jr.	D26/28
D560,834 S *	1/2008	Nagano	D26/28
D636,508 S *	4/2011	Nagano	D26/28
D678,563 S *	3/2013	Liao	D26/28

D735,379 S *	7/2015	Liao	D26/28
D752,252 S *	3/2016	Ruthling	D26/60
11,098,858 B2 *	8/2021	Westling	F21V 21/0965
D938,625 S	12/2021	Luo		
D956,295 S *	6/2022	Liu	D26/24

* cited by examiner

Primary Examiner — Marissa J Cash
Assistant Examiner — Liv C Anderson

(57) **CLAIM**

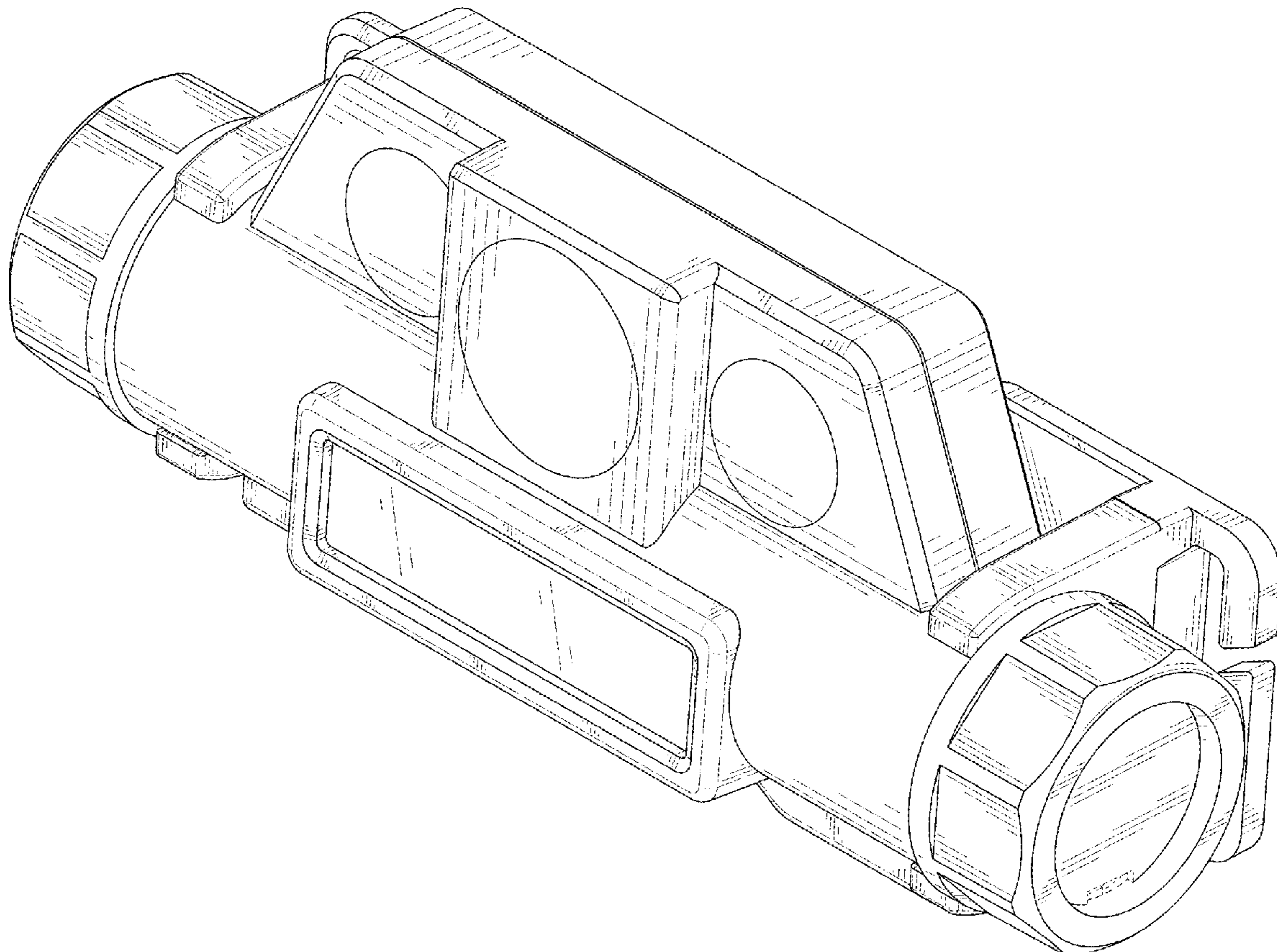
The ornamental design for a LED light, as shown and described.

DESCRIPTION

FIG. 1 is a front and top perspective view of a LED light, showing my new design;
FIG. 2 is a rear and bottom perspective view thereof;
FIG. 3 is a front elevation view thereof;
FIG. 4 is a rear elevation view thereof;
FIG. 5 is a left side elevation view thereof;
FIG. 6 is a right side elevation view thereof;
FIG. 7 is a top plan view thereof;
FIG. 8 is a bottom plan view thereof; and,
FIG. 9 is another perspective view thereof, shown in a using position.

The broken lines in the figures illustrate portions of the LED light that form no part of the claimed design. The broken lines of a structure which is provided with the LED light in FIG. 9 shown in the drawings depict environmental structure that form no part of the claimed design.

1 Claim, 9 Drawing Sheets



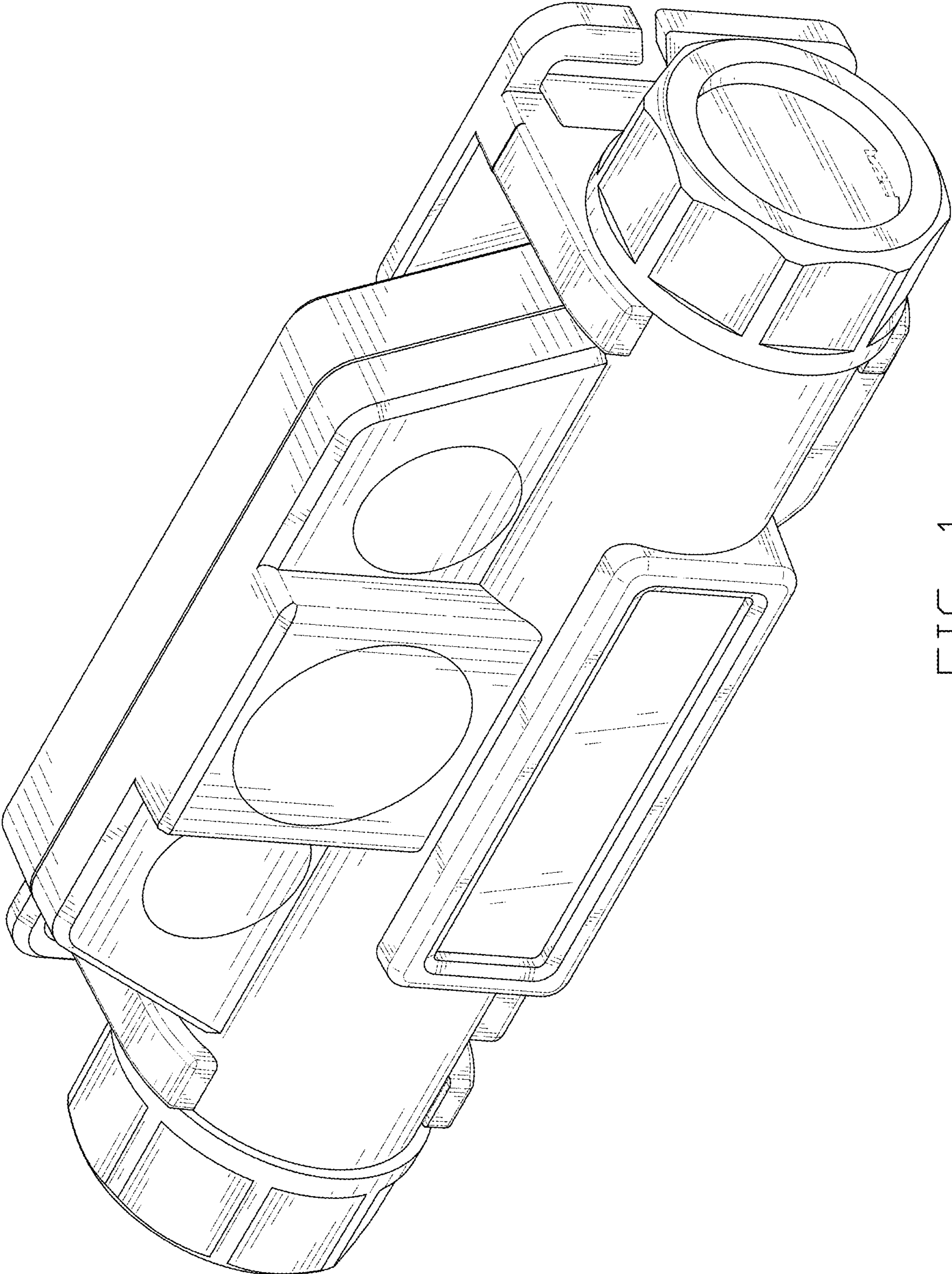


FIG. 1

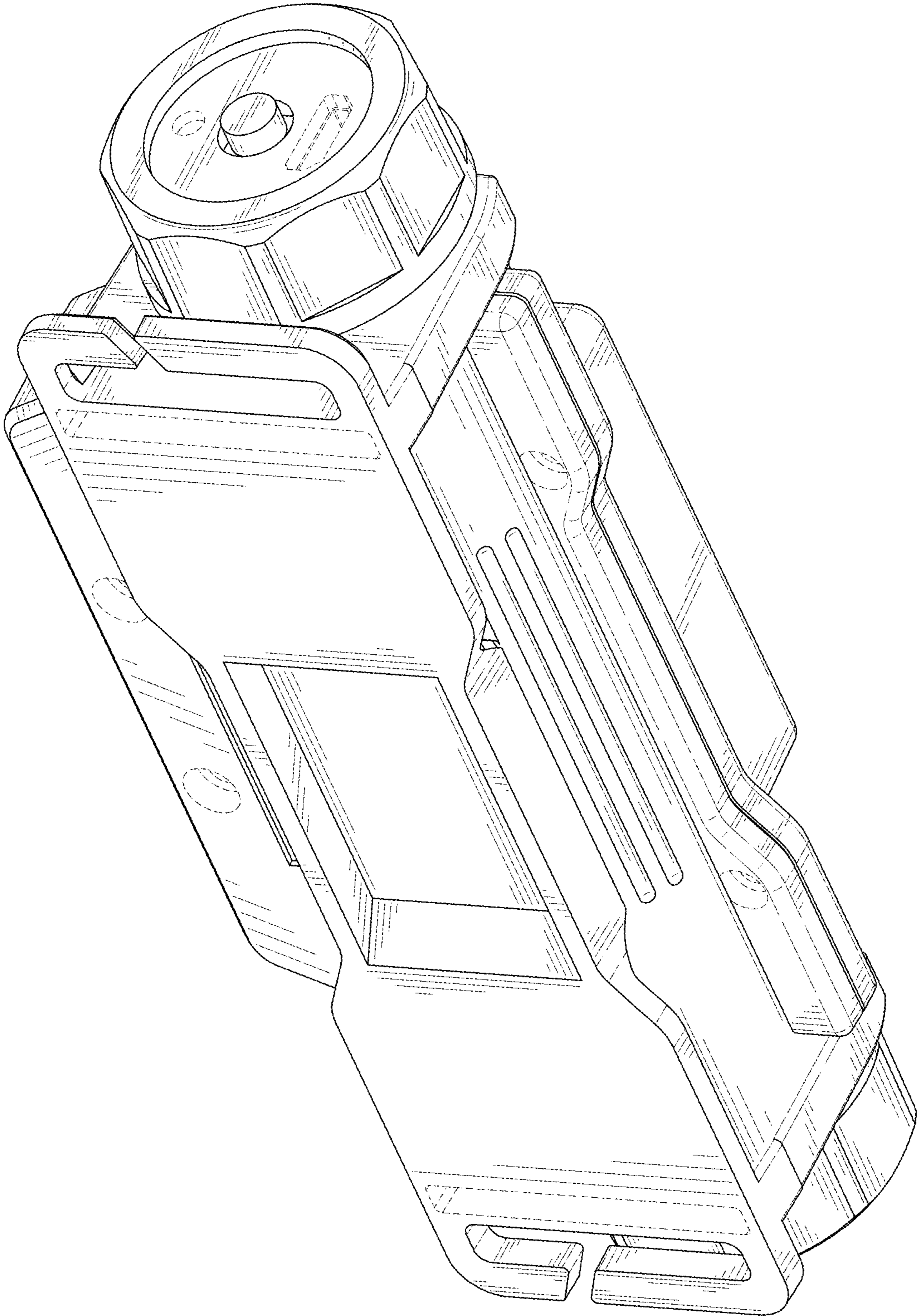


FIG. 2

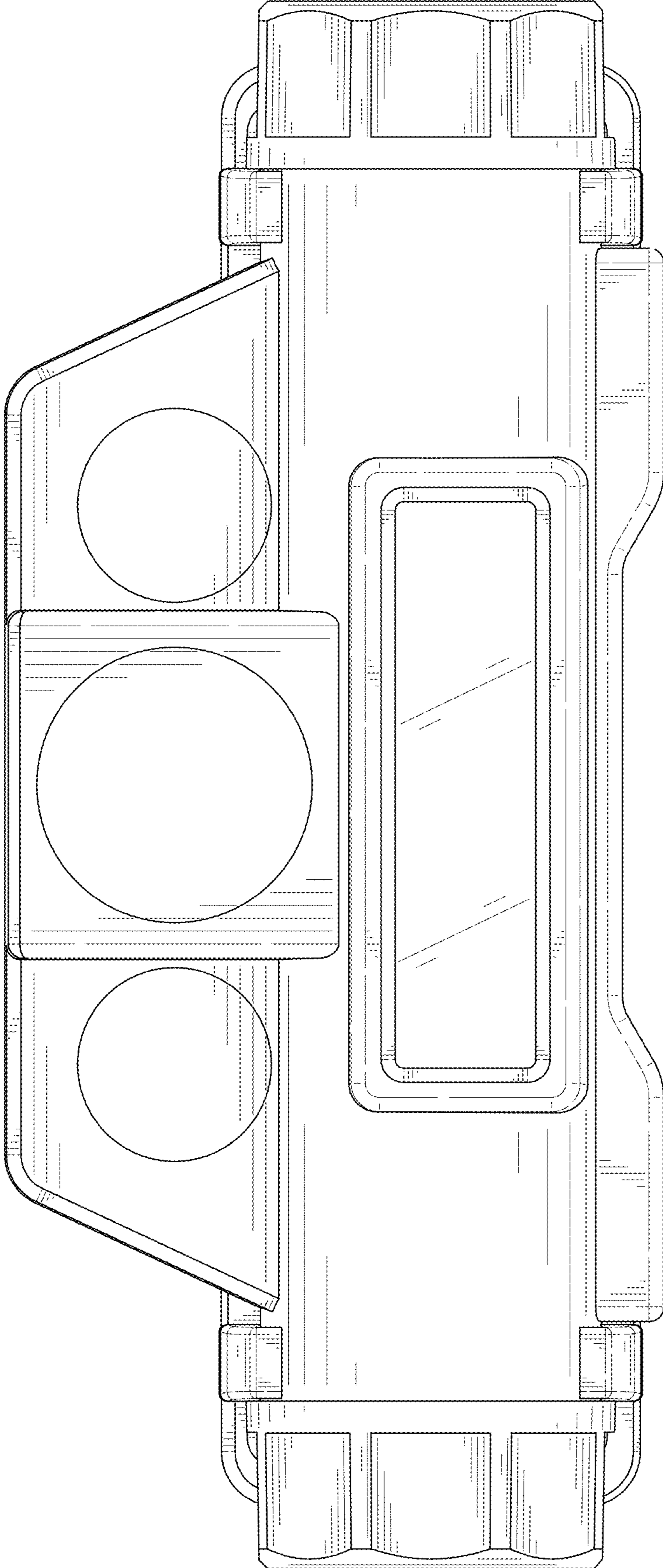


FIG. 3

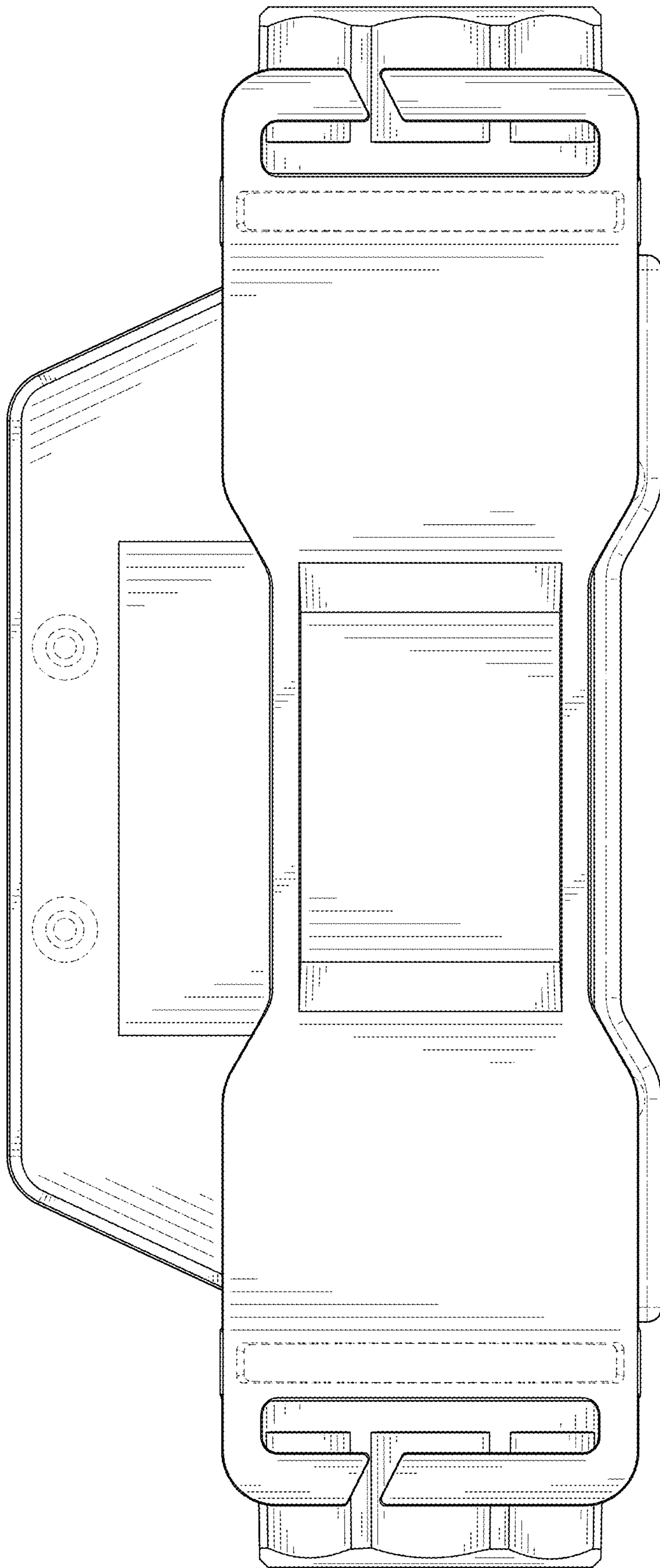


FIG. 4

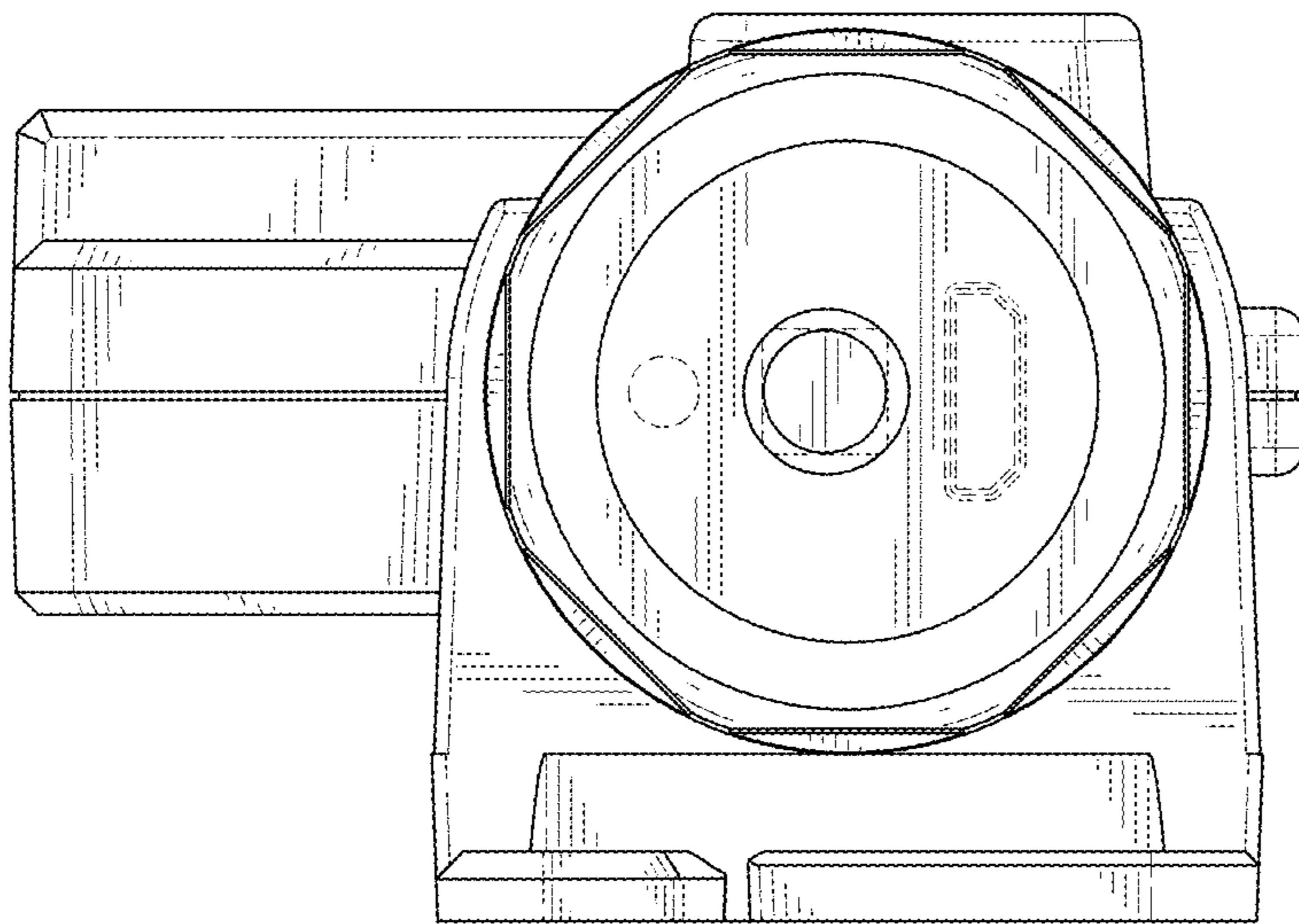


FIG. 5

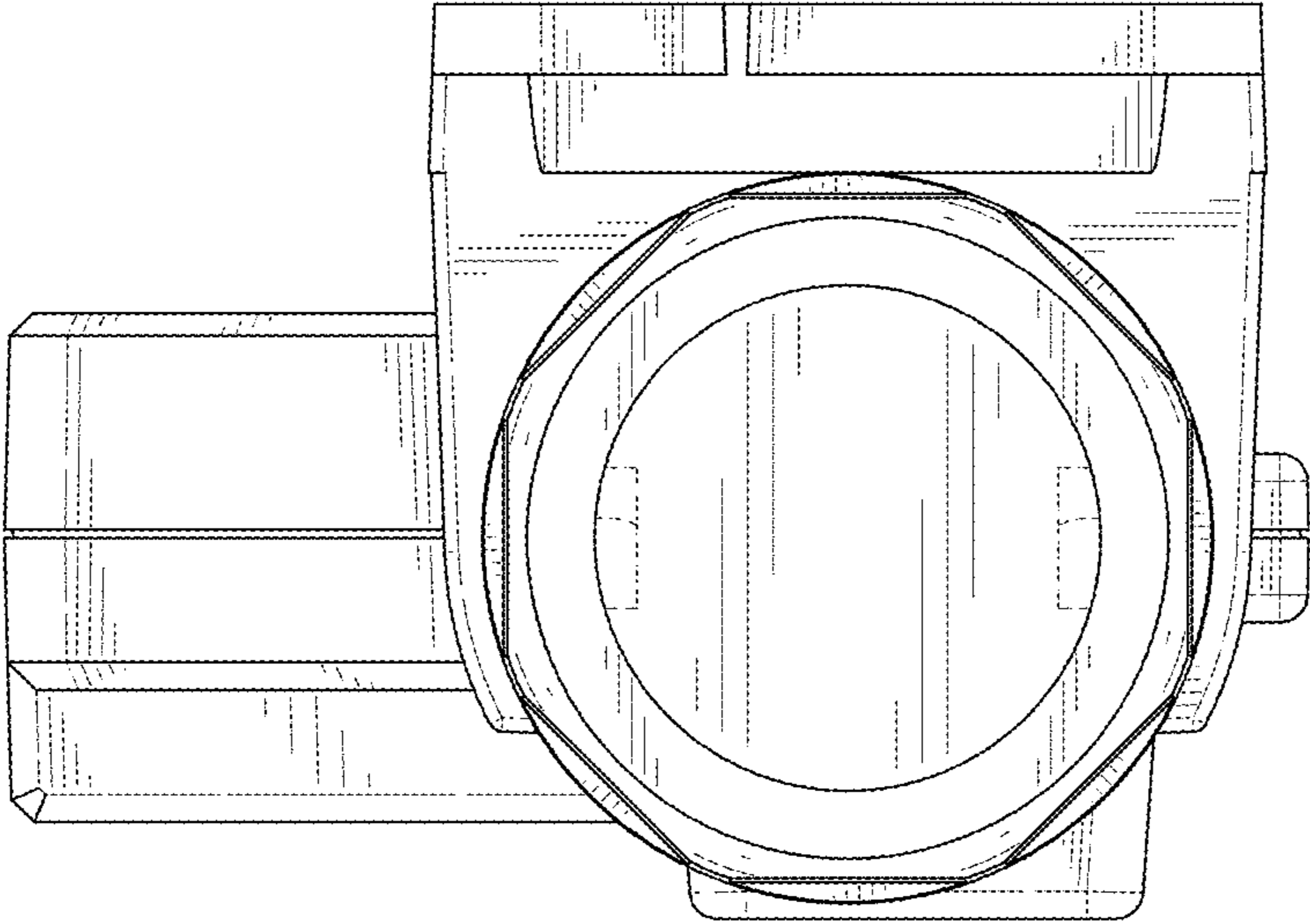


FIG. 6

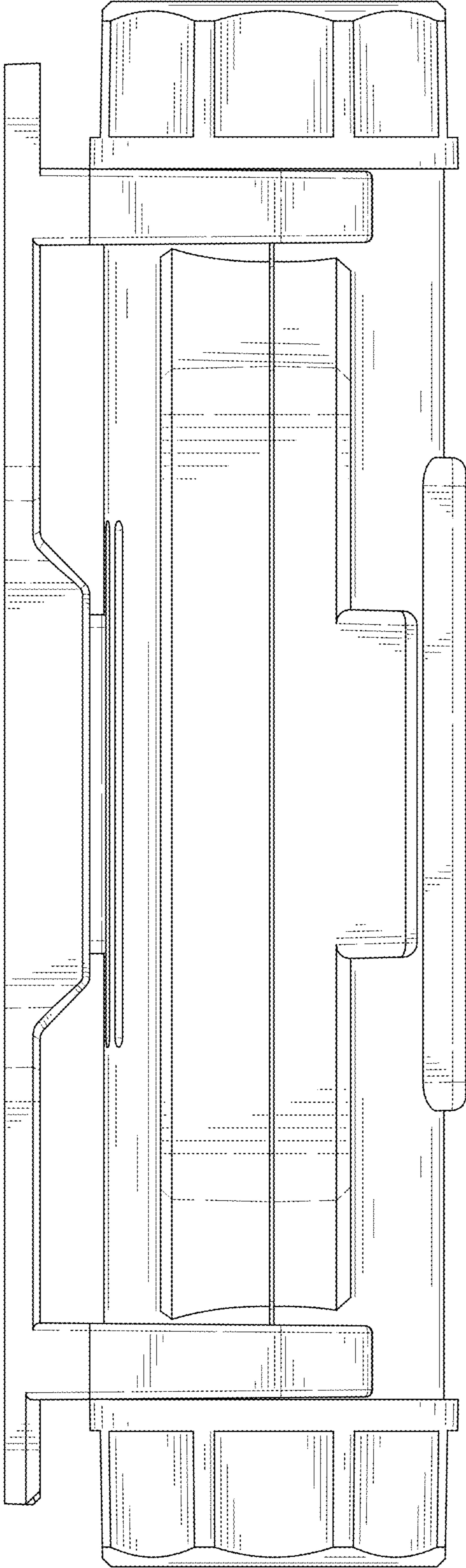


FIG. 7

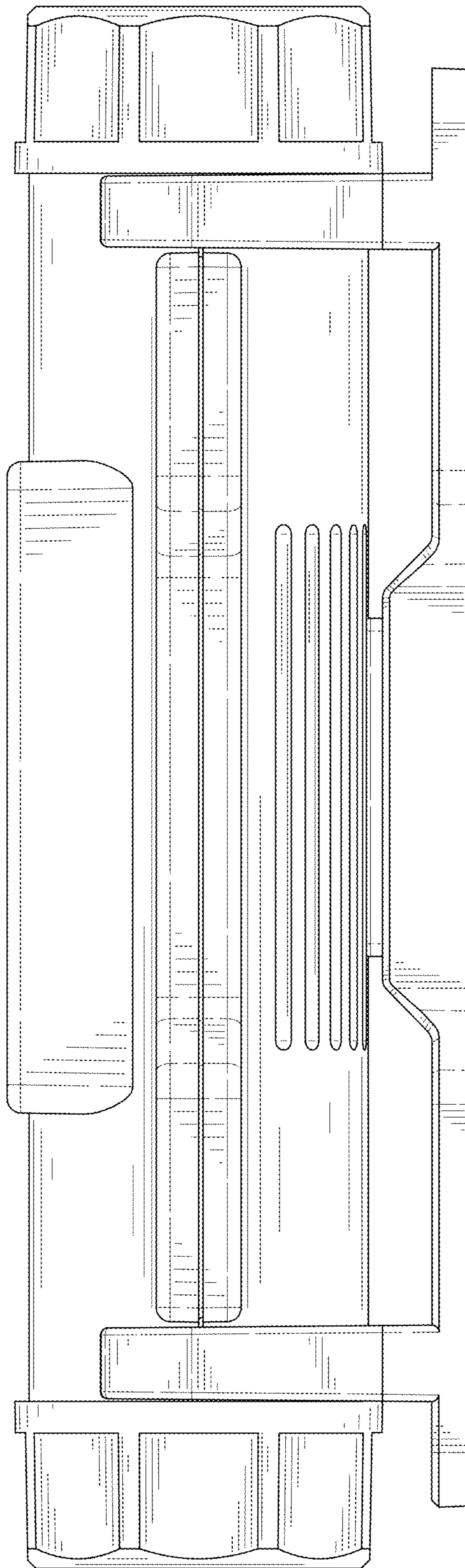


FIG. 8

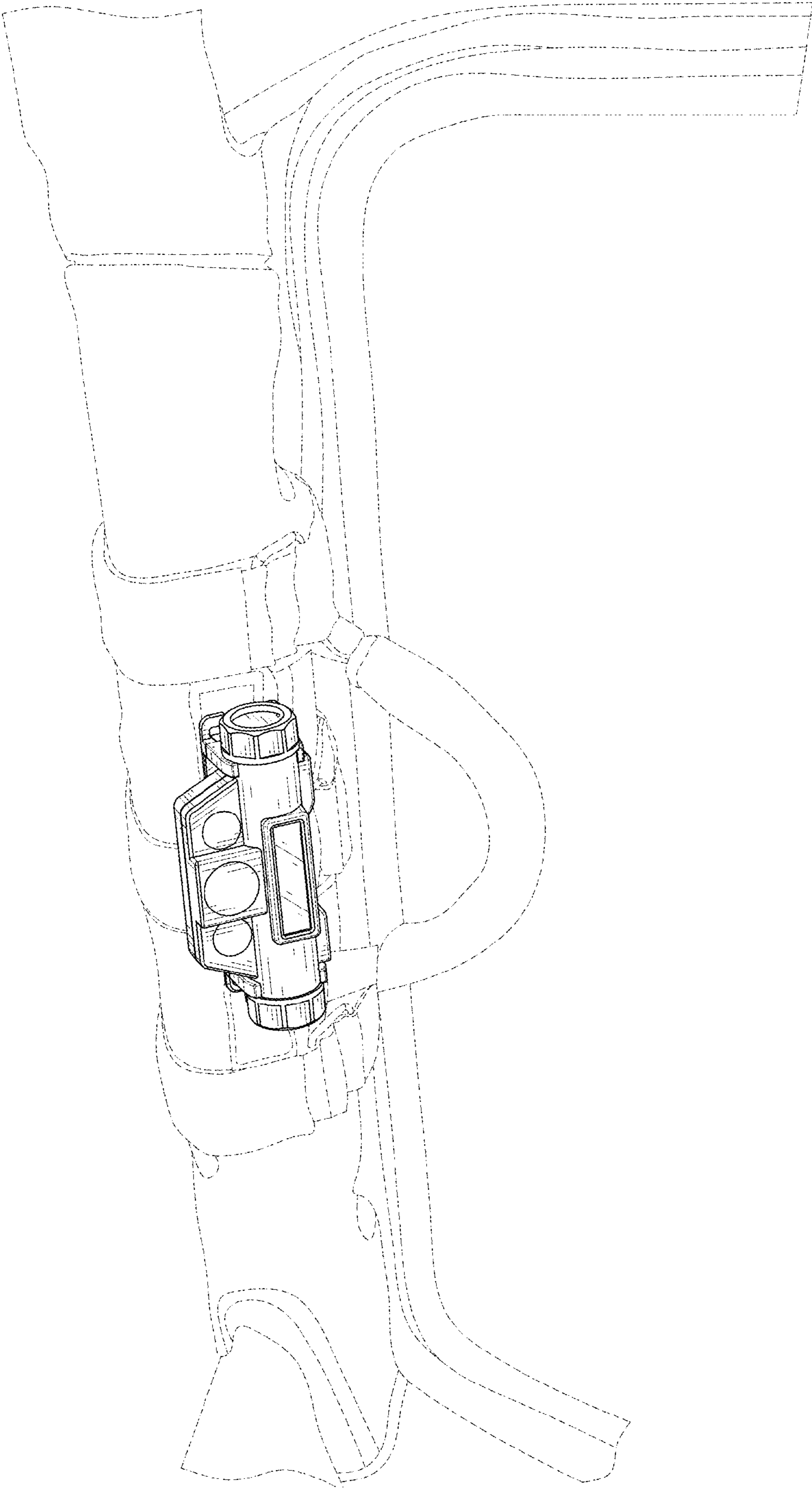


FIG. 9