



US00D970764S

(12) **United States Design Patent** (10) **Patent No.:** **US D970,764 S**
Ye (45) **Date of Patent:** **** Nov. 22, 2022**

(54) **LENS HEADLAMP**
(71) Applicant: **CHONGQING FUWEI AUTO PARTS CO., LTD**, Chongqing (CN)
(72) Inventor: **Lin Ye**, Chongqing (CN)
(73) Assignee: **CHONGQING FUWEI AUTO PARTS CO., LTD**, Chongqing (CN)

D723,723 S * 3/2015 Goto D26/28
D804,691 S * 12/2017 Lin D26/28
D866,823 S * 11/2019 Lin D26/28
D869,707 S * 12/2019 Wu D26/28
D909,636 S * 2/2021 Wu D26/28
D911,562 S * 2/2021 Lin D26/28
D912,862 S * 3/2021 Wu D26/28
D922,626 S * 6/2021 Yeh D26/28
D958,422 S * 7/2022 Yang D26/28
D959,715 S * 8/2022 Langhals D26/28

(**) Term: **15 Years**

* cited by examiner

(21) Appl. No.: **29/783,899**

Primary Examiner — Angela J Lee

(22) Filed: **May 17, 2021**

(30) **Foreign Application Priority Data**

(57) **CLAIM**

Apr. 20, 2021 (CN) 202130224268.4

The ornamental design for a lens headlamp, as shown and described.

(51) **LOC (13) Cl.** **26-06**

(52) **U.S. Cl.**
USPC **D26/28**

(58) **Field of Classification Search**
USPC D26/28, 29, 30, 31, 32, 33, 34, 35, 36
CPC F21W 2103/35; F21W 2103/40; F21W 2102/17; F21W 2102/30; F21W 2103/00; F21W 2103/55; F21W 2104/00; F21W 2107/17; F21W 2107/13; F21S 41/00; F21S 41/141; F21S 41/162; F21S 41/18; F21S 41/20; F21S 41/33; F21S 41/36; F21S 41/60; F21S 43/00; F21V 21/04
See application file for complete search history.

DESCRIPTION

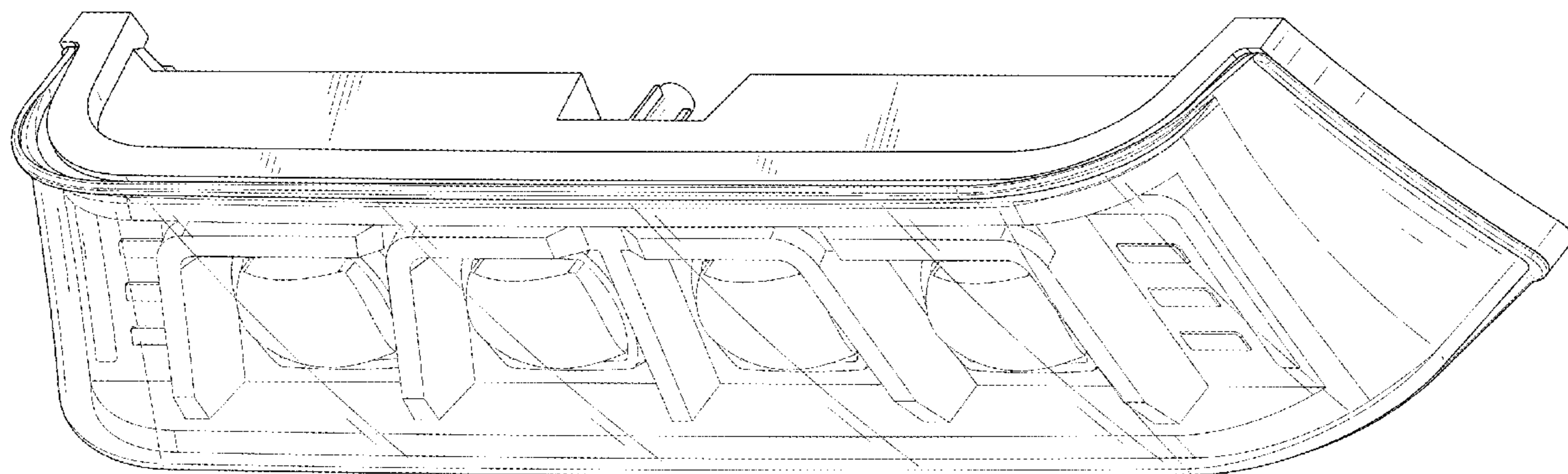
FIG. 1 is a perspective view of a lens headlamp showing my new design;
FIG. 2 is another perspective view thereof;
FIG. 3 is a front elevational view thereof;
FIG. 4 is a rear elevational view thereof;
FIG. 5 is a left side elevational view thereof;
FIG. 6 is a right side elevational view thereof;
FIG. 7 is a top plan view thereof; and,
FIG. 8 is a bottom plan view thereof.
The broken lines in the drawings depict portions of the lens headlamp that form no part of the claimed design.

(56) **References Cited**

U.S. PATENT DOCUMENTS

D483,888 S * 12/2003 Pokorny D26/28
D499,823 S * 12/2004 Reiss D26/28

1 Claim, 8 Drawing Sheets



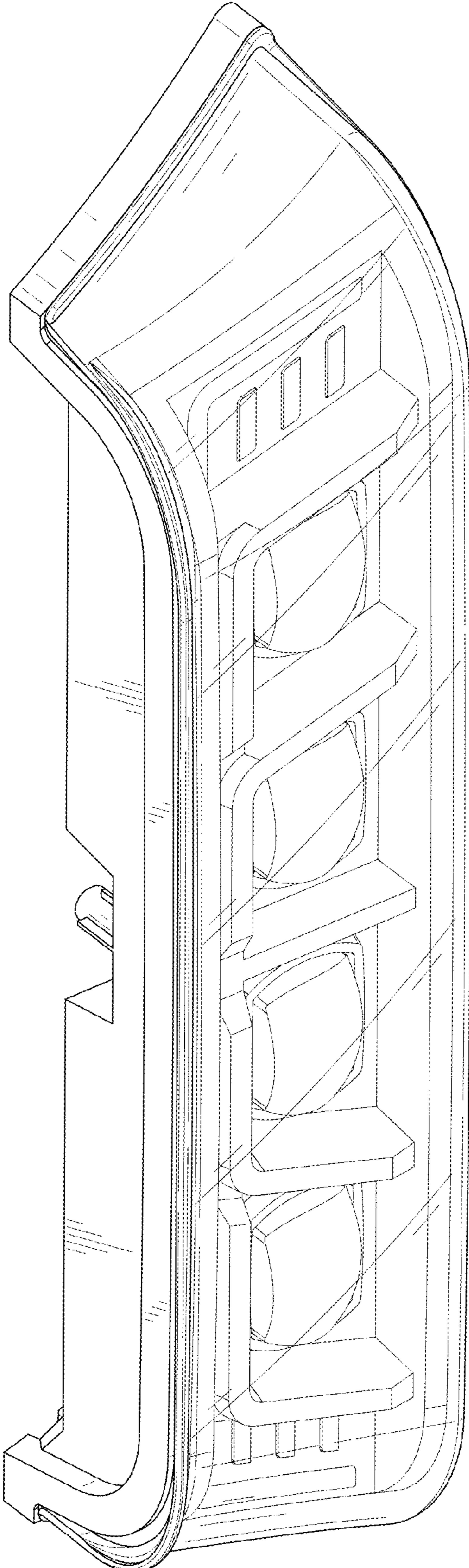


FIG. 1

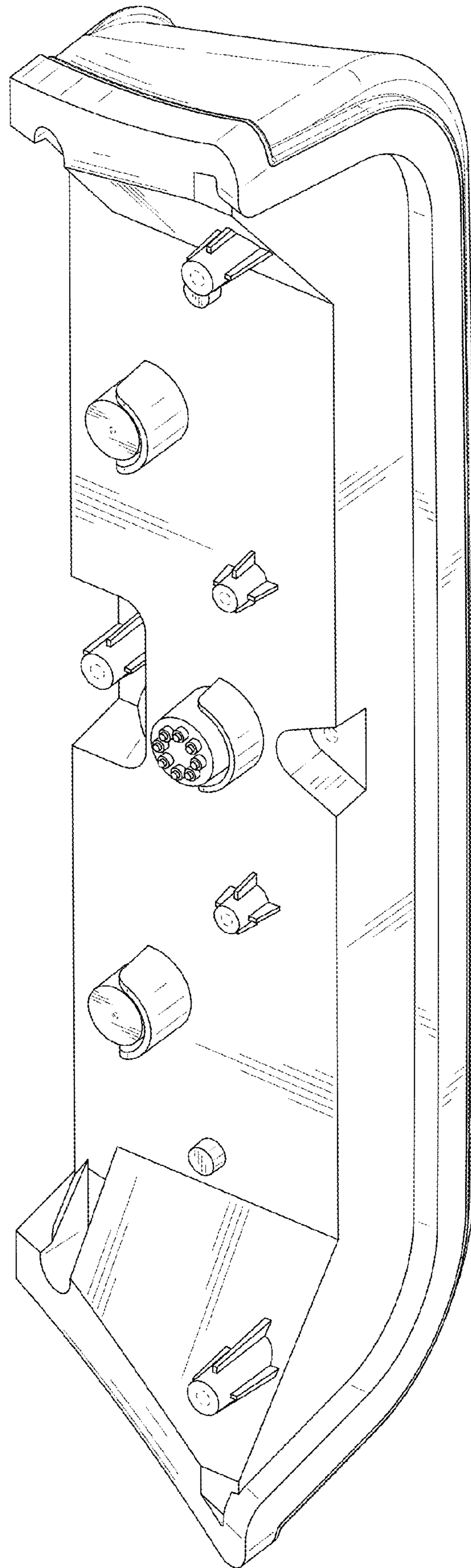


FIG. 2

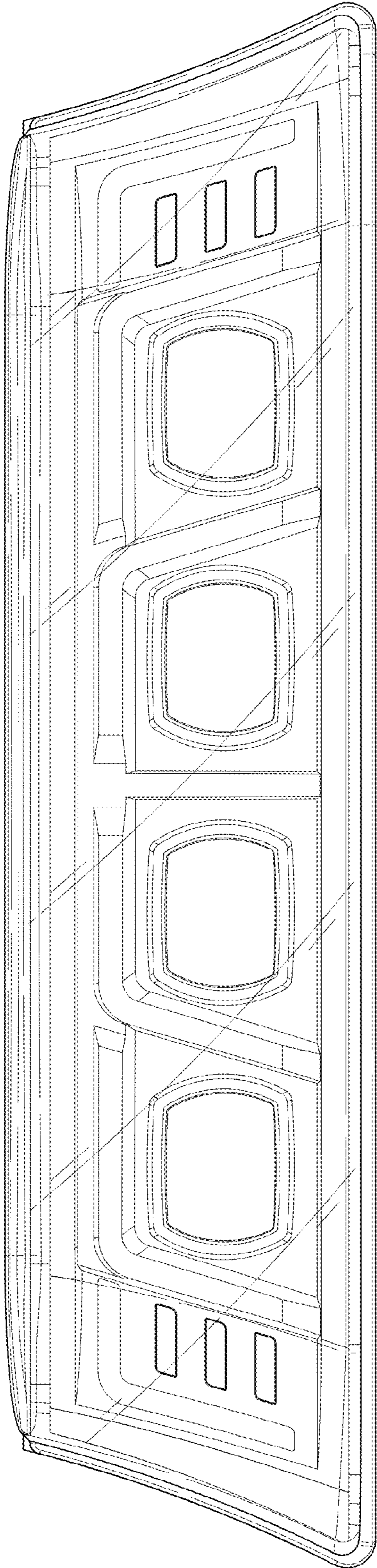


FIG. 3

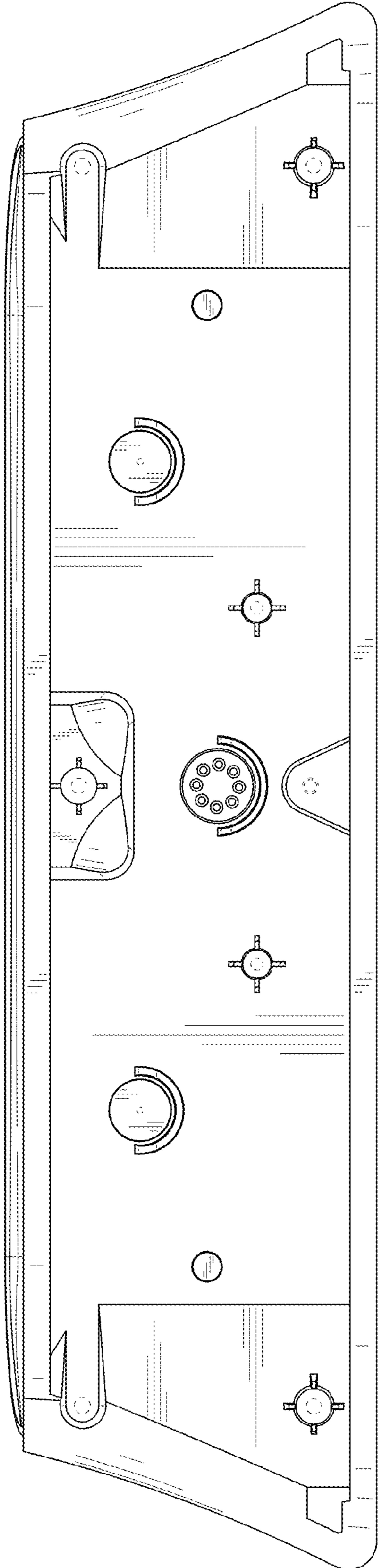


FIG. 4

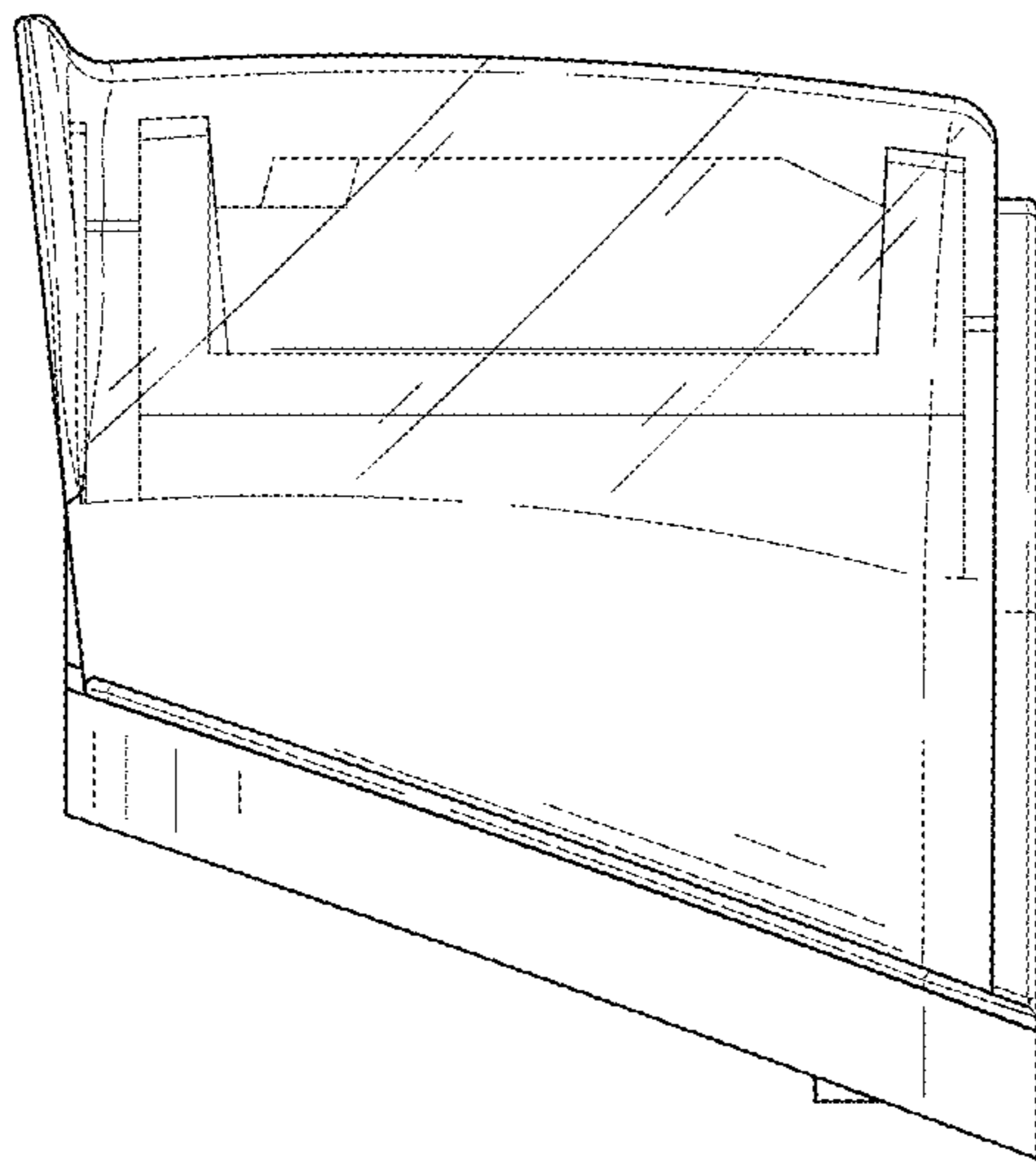


FIG. 5

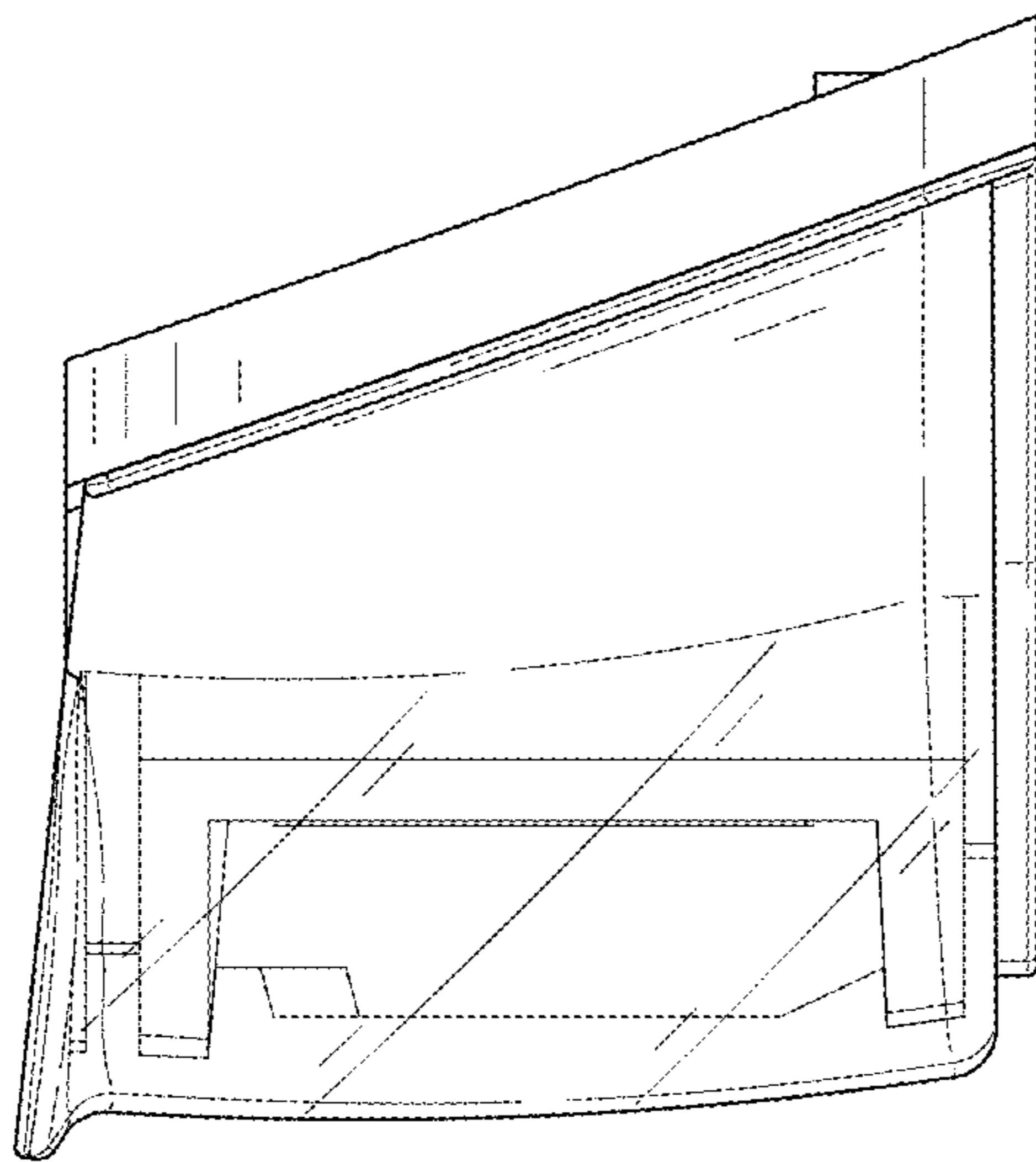


FIG. 6

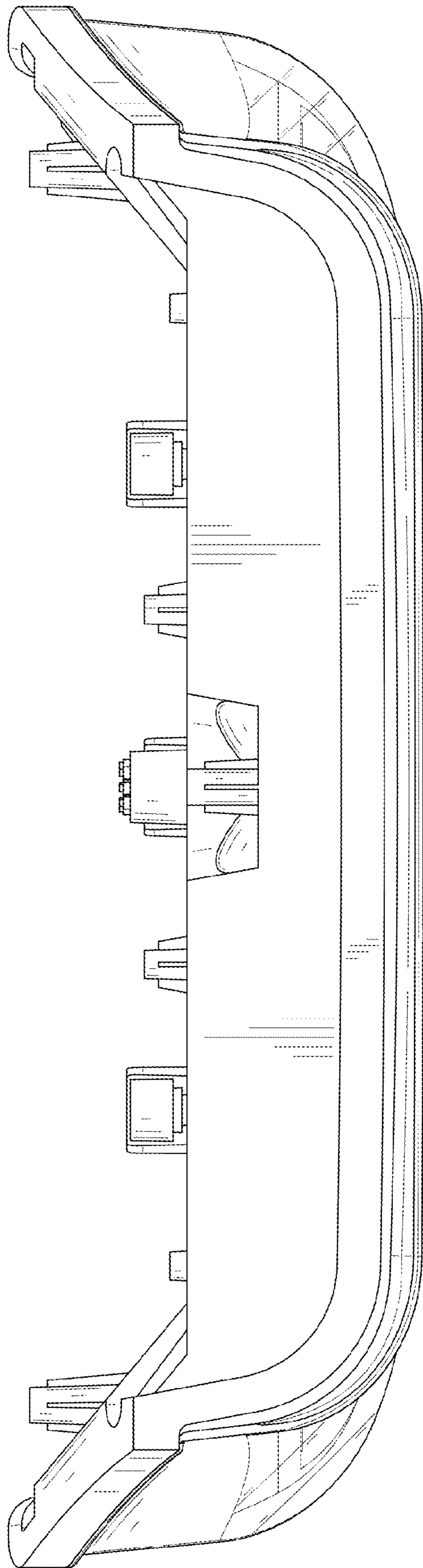


FIG. 7

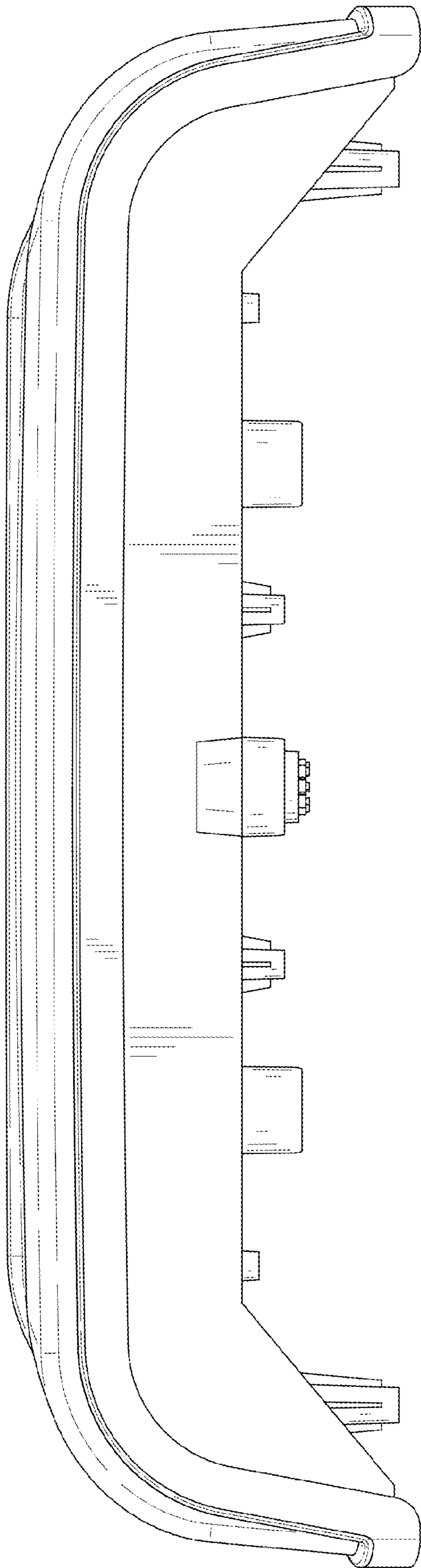


FIG. 8