

US00D970763S

(12) **United States Design Patent** (10) **Patent No.:** **US D970,763 S**  
**Lin** (45) **Date of Patent:** **\*\* Nov. 22, 2022**

(54) **AUTOMOBILE HEADLIGHT**  
(71) Applicant: **Chi-Chung Lin**, Hsinchu (TW)  
(72) Inventor: **Chi-Chung Lin**, Hsinchu (TW)  
(\*\*) Term: **15 Years**

D909,634 S \* 2/2021 He ..... D26/28  
D925,796 S \* 7/2021 Chen ..... D26/28  
D927,741 S \* 8/2021 Lin ..... D26/28  
D932,070 S \* 9/2021 Lin ..... D26/28  
D939,114 S \* 12/2021 Chen ..... D26/28  
D950,802 S \* 5/2022 Tsai ..... D26/28  
D954,308 S \* 6/2022 Lin ..... D26/28

(21) Appl. No.: **29/780,361**  
(22) Filed: **Apr. 23, 2021**  
(51) **LOC (13) Cl.** ..... **26-06**  
(52) **U.S. Cl.**  
USPC ..... **D26/28**  
(58) **Field of Classification Search**  
USPC ..... D26/28, 29, 30, 31, 32, 33, 34, 35, 36  
CPC ..... F21W 2103/35; F21W 2103/40; F21W  
2102/17; F21W 2102/30; F21W 2103/00;  
F21W 2103/55; F21W 2104/00; F21W  
2107/17; F21W 2107/13; F21S 41/00;  
F21S 41/141; F21S 41/162; F21S 41/18;  
F21S 41/20; F21S 41/33; F21S 41/36;  
F21S 41/60; F21S 43/00; F21V 21/04  
See application file for complete search history.

**FOREIGN PATENT DOCUMENTS**

CN 306258299 S 12/2020  
CN 306258300 S 12/2020  
CN 306310824 S 2/2021

\* cited by examiner

*Primary Examiner* — Angela J Lee  
(74) *Attorney, Agent, or Firm* — Alexander Chen, Esq.

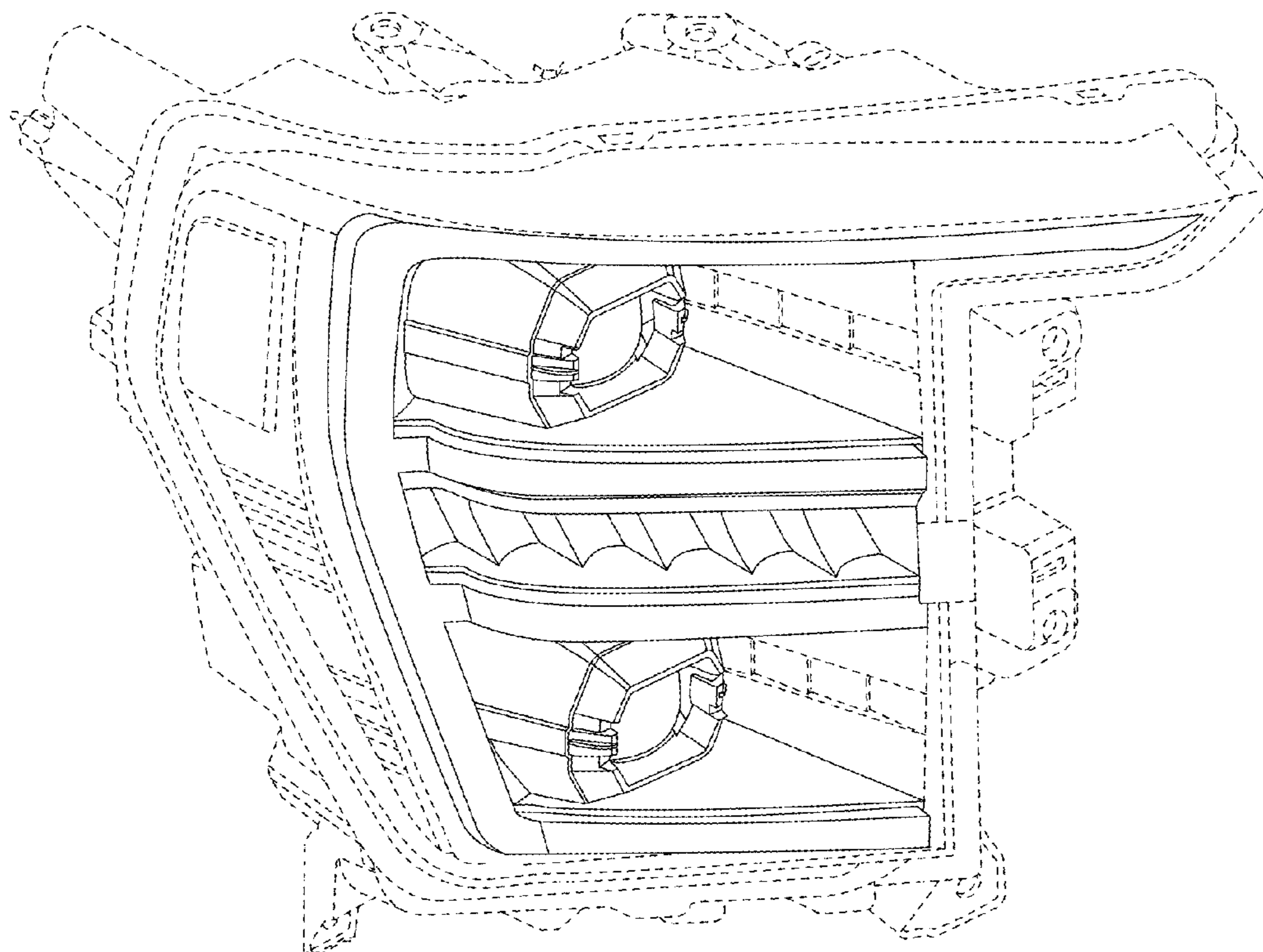
(57) **CLAIM**  
The ornamental design for an automobile headlight, as shown and described.

**DESCRIPTION**

FIG. 1 is a perspective view of an automobile headlight; FIG. 2 is a front view thereof; FIG. 3 is a side view thereof; and, FIG. 4 is a top view thereof. The drawings and descriptions represent the left side embodiment. The claim is also for a mirror image right side embodiment. The broken lines are included to show environmental structure and form no part of the claimed design.

(56) **References Cited**  
**U.S. PATENT DOCUMENTS**  
D849,285 S \* 5/2019 Lin ..... D26/28  
D887,046 S \* 6/2020 Lin ..... D26/28  
D890,386 S \* 7/2020 Wu ..... D26/28  
D892,368 S \* 8/2020 Lin ..... D26/28  
D907,264 S \* 1/2021 Lin ..... D26/28

**1 Claim, 4 Drawing Sheets**



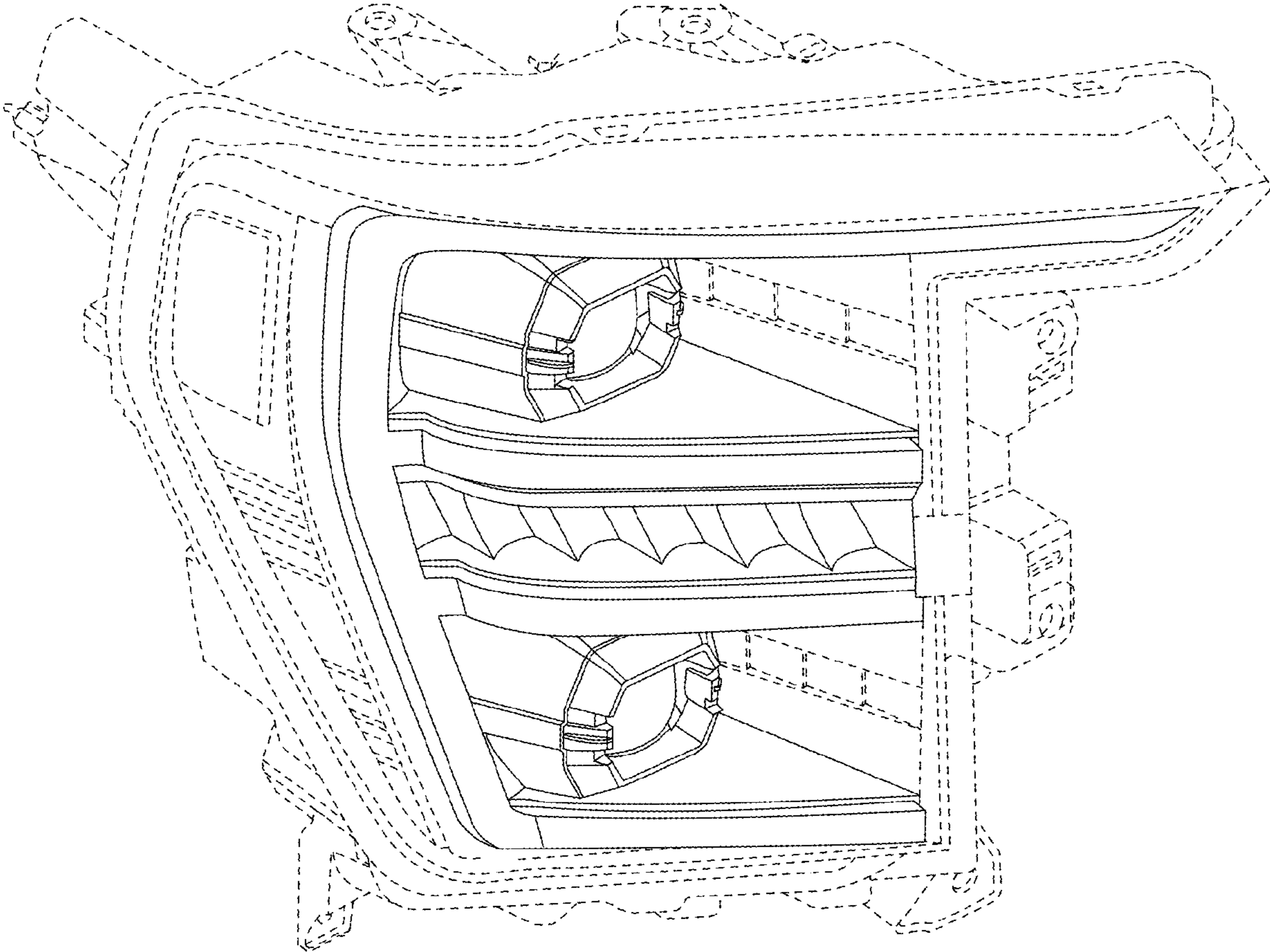


FIG. 1

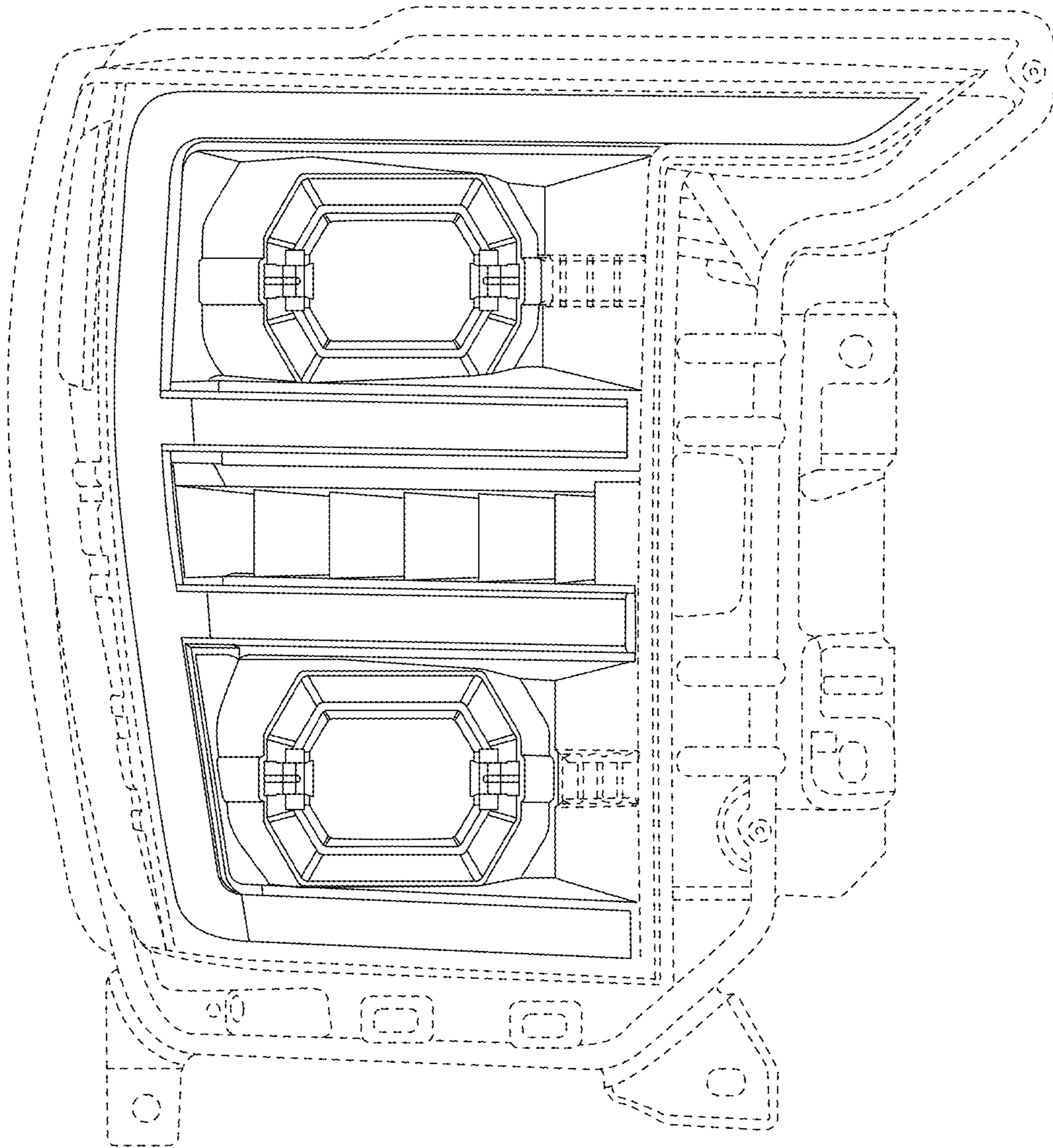


FIG. 2

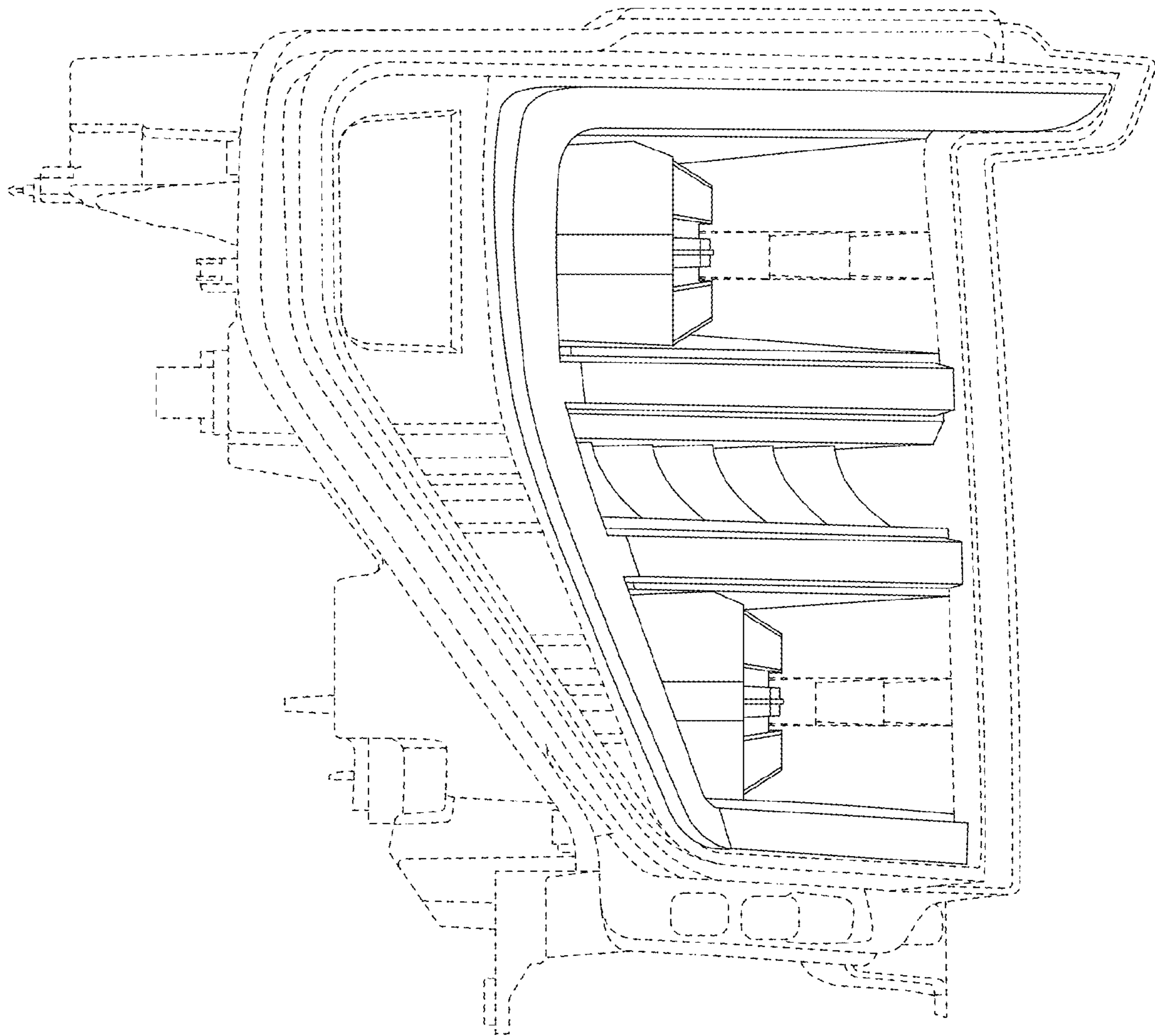


FIG. 3

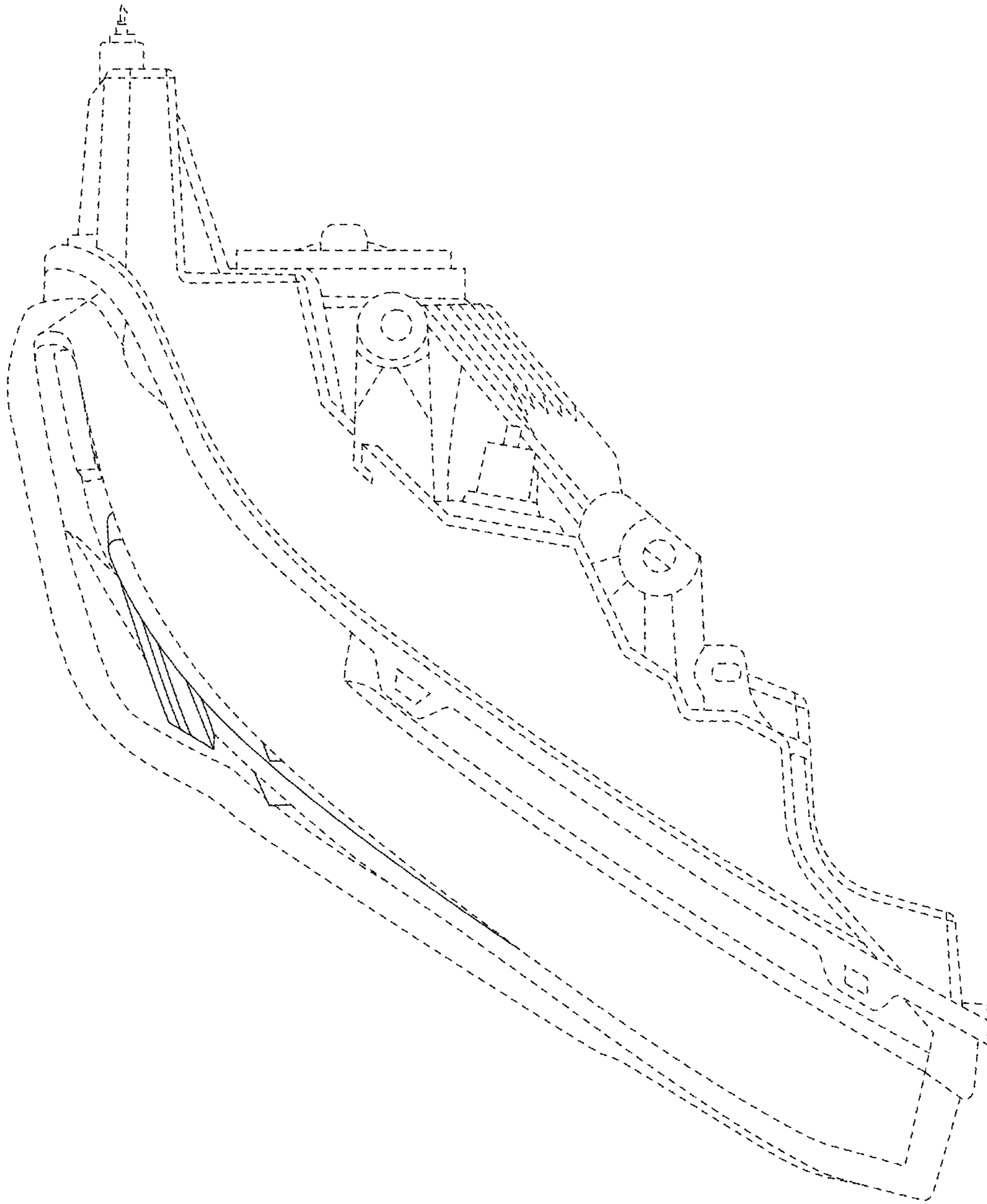


FIG. 4