

US00D970757S

(12) **United States Design Patent**
Li

(10) **Patent No.:** **US D970,757 S**

(45) **Date of Patent:** **** Nov. 22, 2022**

(54) **CANDLE LIGHT**

(71) Applicant: **SHENZHEN BEST TRADING CO., LTD.**, Shenzhen (CN)

(72) Inventor: **Chao Li**, Honghu (CN)

(73) Assignee: **SHENZHEN BEST TRADING CO., LTD.**, Shenzhen (CN)

(**) Term: **15 Years**

(21) Appl. No.: **29/843,772**

(22) Filed: **Jun. 23, 2022**

(51) **LOC (13) Cl.** **26-04**

(52) **U.S. Cl.**
USPC **D26/6; D26/5; D26/7**

(58) **Field of Classification Search**
USPC D26/6-16, 20-23; D11/121, 130, 131, D11/131.1, 143
CPC F21V 35/00; F21V 35/003; F21V 35/006; F21S 6/001; F21S 10/04; C11C 5/00; C11C 5/008
See application file for complete search history.

(56) **References Cited**

U.S. PATENT DOCUMENTS

- 611,397 A * 9/1898 Steinenbohmer F21V 35/00 431/290
- D108,624 S * 3/1938 Kelly D26/22
- D111,634 S * 10/1938 Kostellow D26/22
- D203,621 S * 2/1966 Gross A01G 5/04 D26/96
- 3,614,279 A * 10/1971 Schenke F21V 35/00 431/290
- D253,795 S * 12/1979 Hilgeman F21V 35/00 D26/22
- D299,556 S * 1/1989 Marshbanks D26/96
- 5,422,803 A * 6/1995 Kilgore F21V 35/00 248/205.5
- D432,258 S * 10/2000 Fussell D26/96

- D590,096 S 4/2009 Romano
 - D590,966 S * 4/2009 Wong D26/6
 - 7,766,284 B2 * 8/2010 Boschetto A01G 5/04 D26/9
 - D645,171 S * 9/2011 Hau D26/5
- (Continued)

FOREIGN PATENT DOCUMENTS

- CN 302652961 * 11/2013
 - CN 304007834 * 1/2017
- (Continued)

OTHER PUBLICATIONS

“Celebrations Led Candle,” Nov. 19, 2010, amazon.com, site visited Sep. 26, 2022, URL: <https://www.amazon.com/Celebrations-Led-Candle-Flickering-Bulb/dp/B00GP7VCKE> (Year: 2010).*

(Continued)

Primary Examiner — Christy Nemeth
Assistant Examiner — Sarah L Smith
(74) *Attorney, Agent, or Firm* — Daniel M. Cohn; Howard M. Cohn

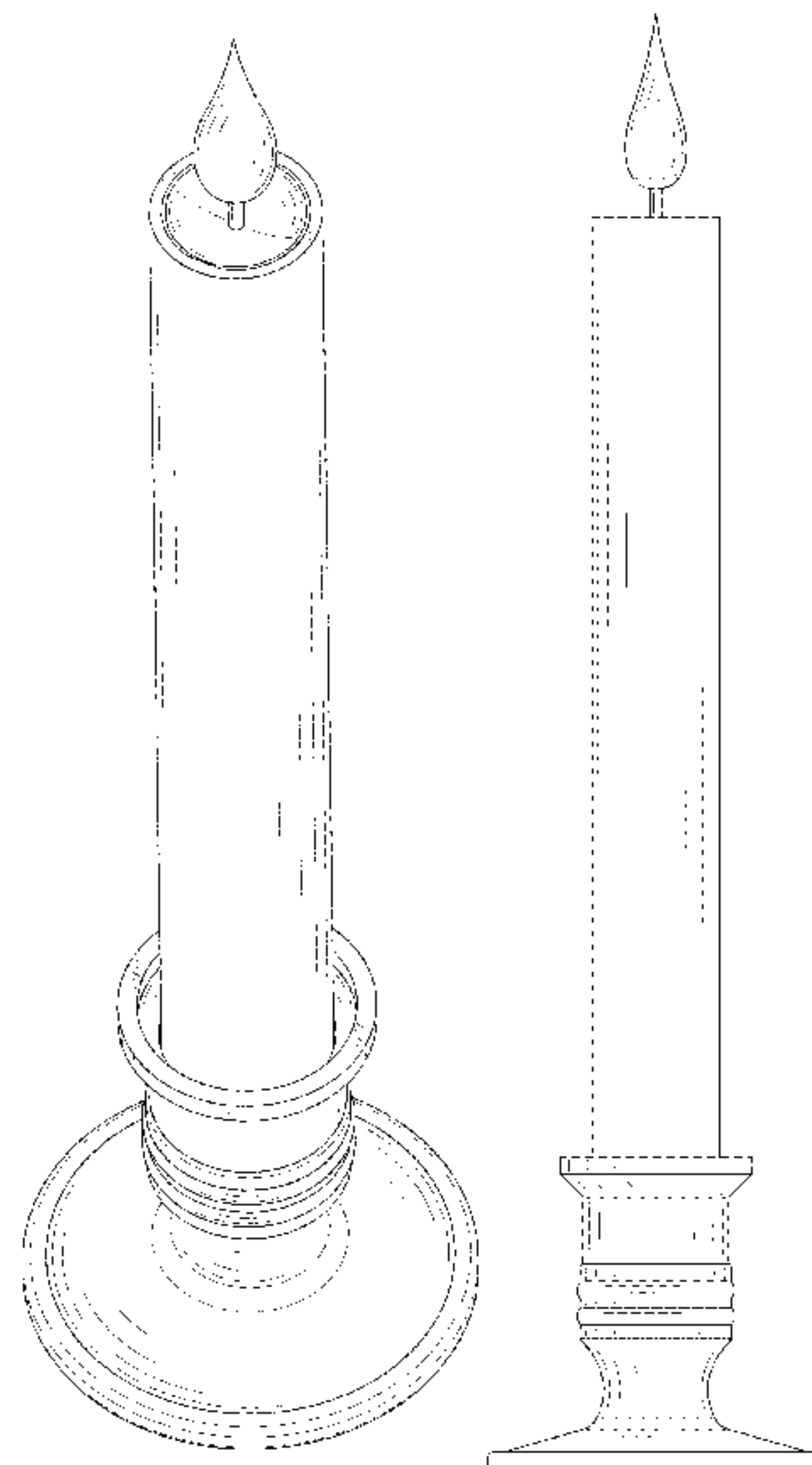
(57) **CLAIM**

The ornamental design for a candle light, as shown and described.

DESCRIPTION

FIG. 1 is a perspective view of a candle light showing my new design;
FIG. 2 is another perspective view thereof;
FIG. 3 is a front elevational view thereof;
FIG. 4 is a rear elevational view thereof;
FIG. 5 is a left side elevational view thereof;
FIG. 6 is a right side elevational view thereof;
FIG. 7 is a top plan view thereof; and,
FIG. 8 is a bottom plan view thereof.

1 Claim, 8 Drawing Sheets



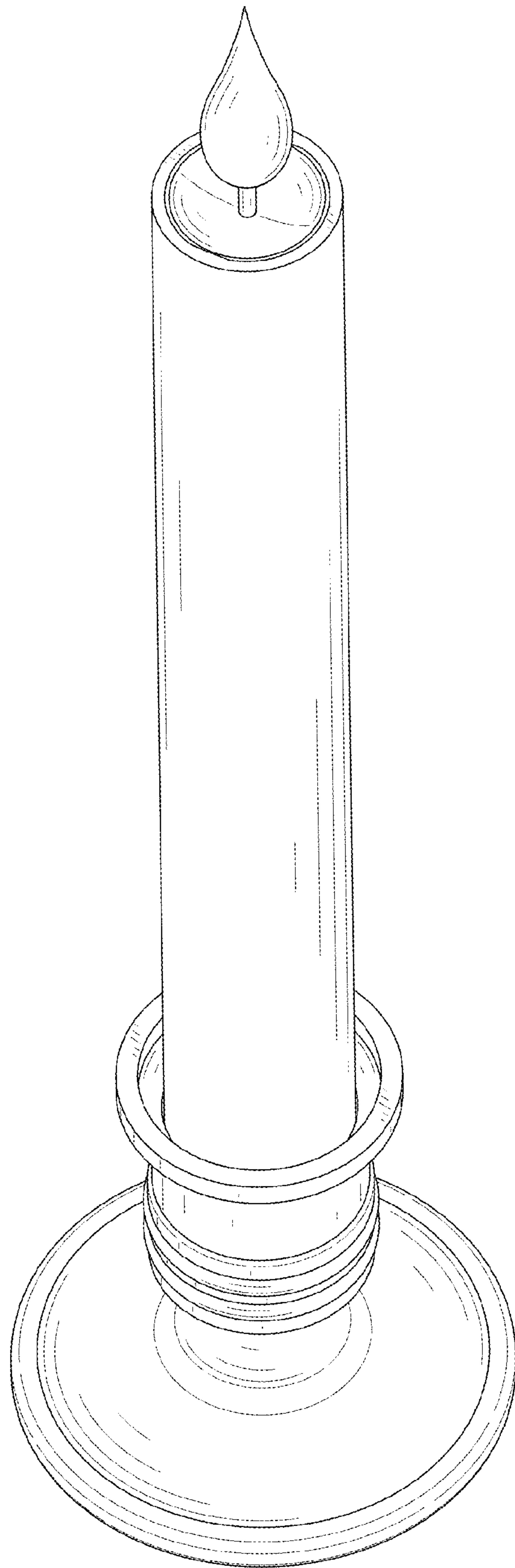


FIG. 1

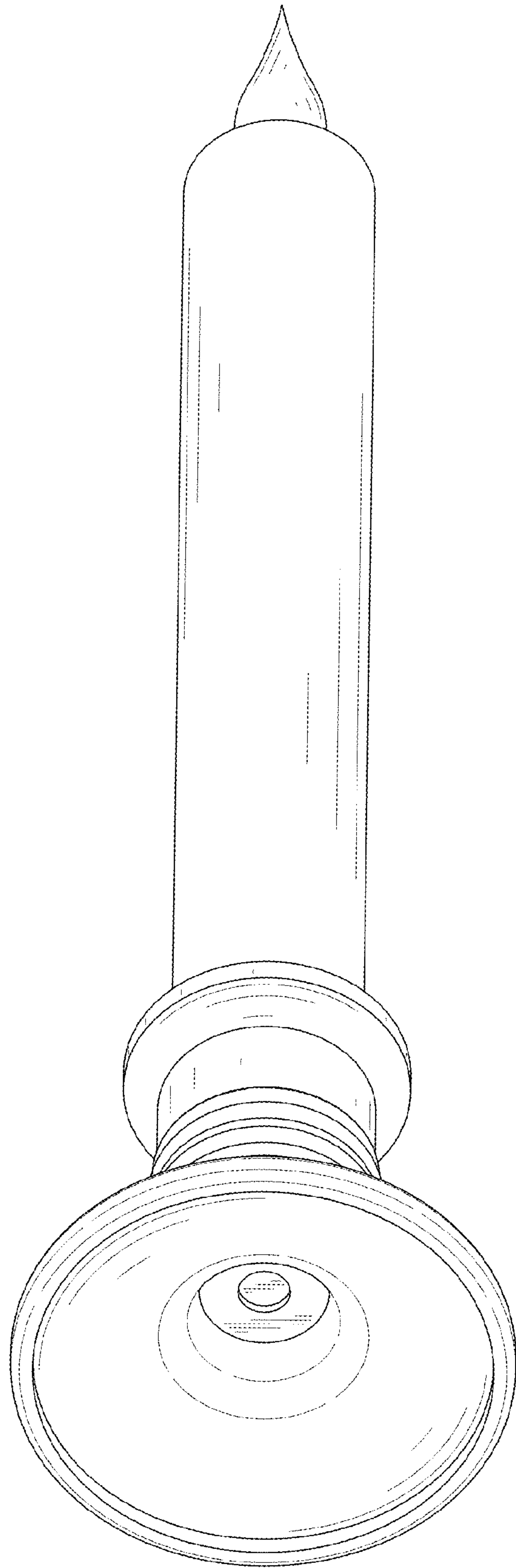


FIG. 2

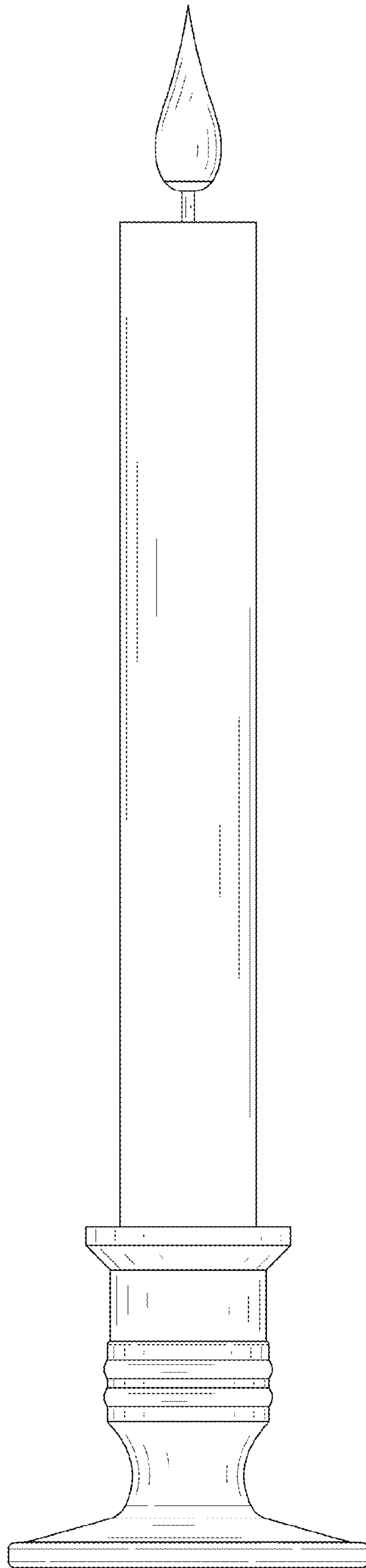


FIG. 3

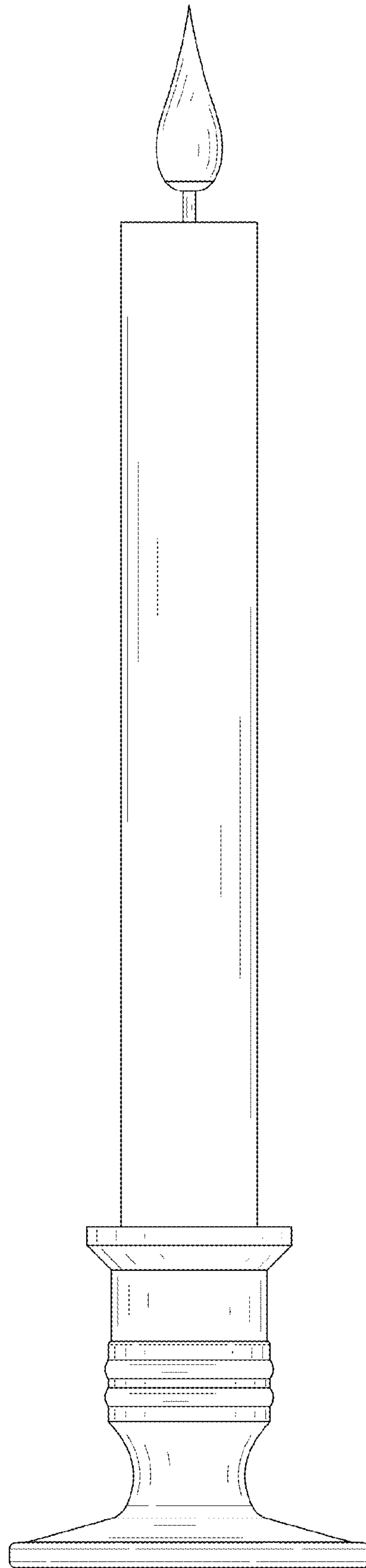


FIG. 4

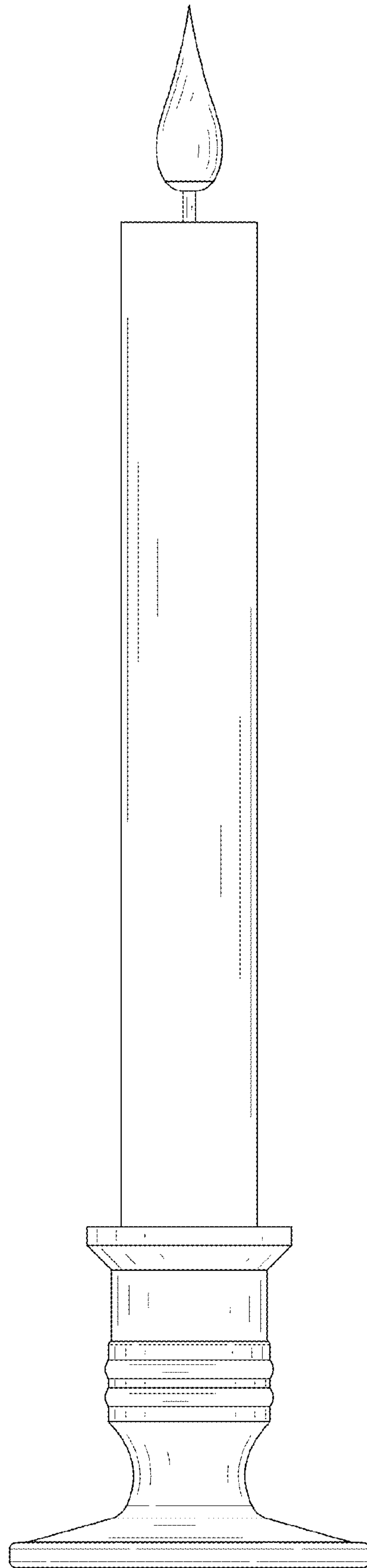


FIG. 5

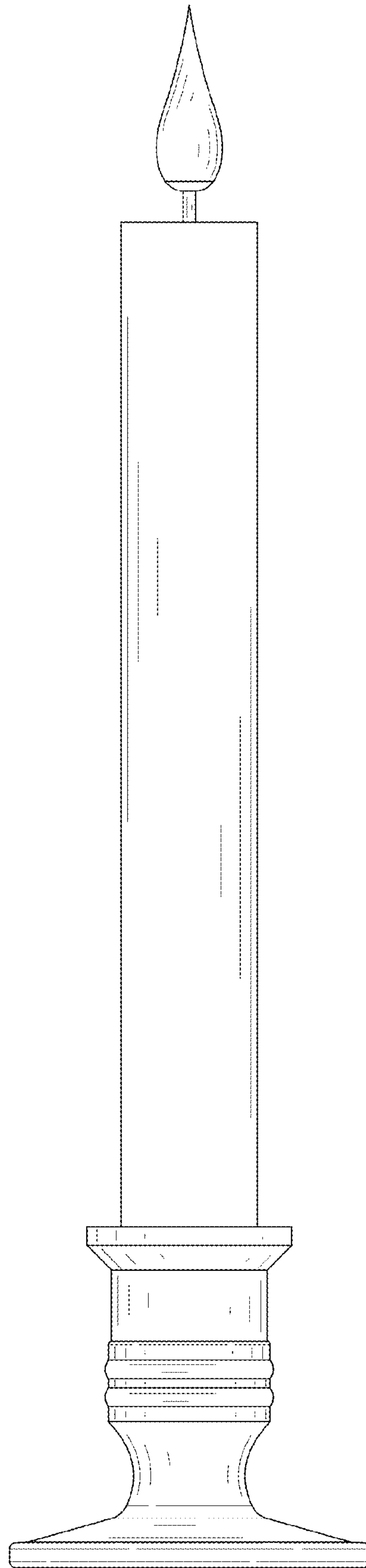


FIG. 6

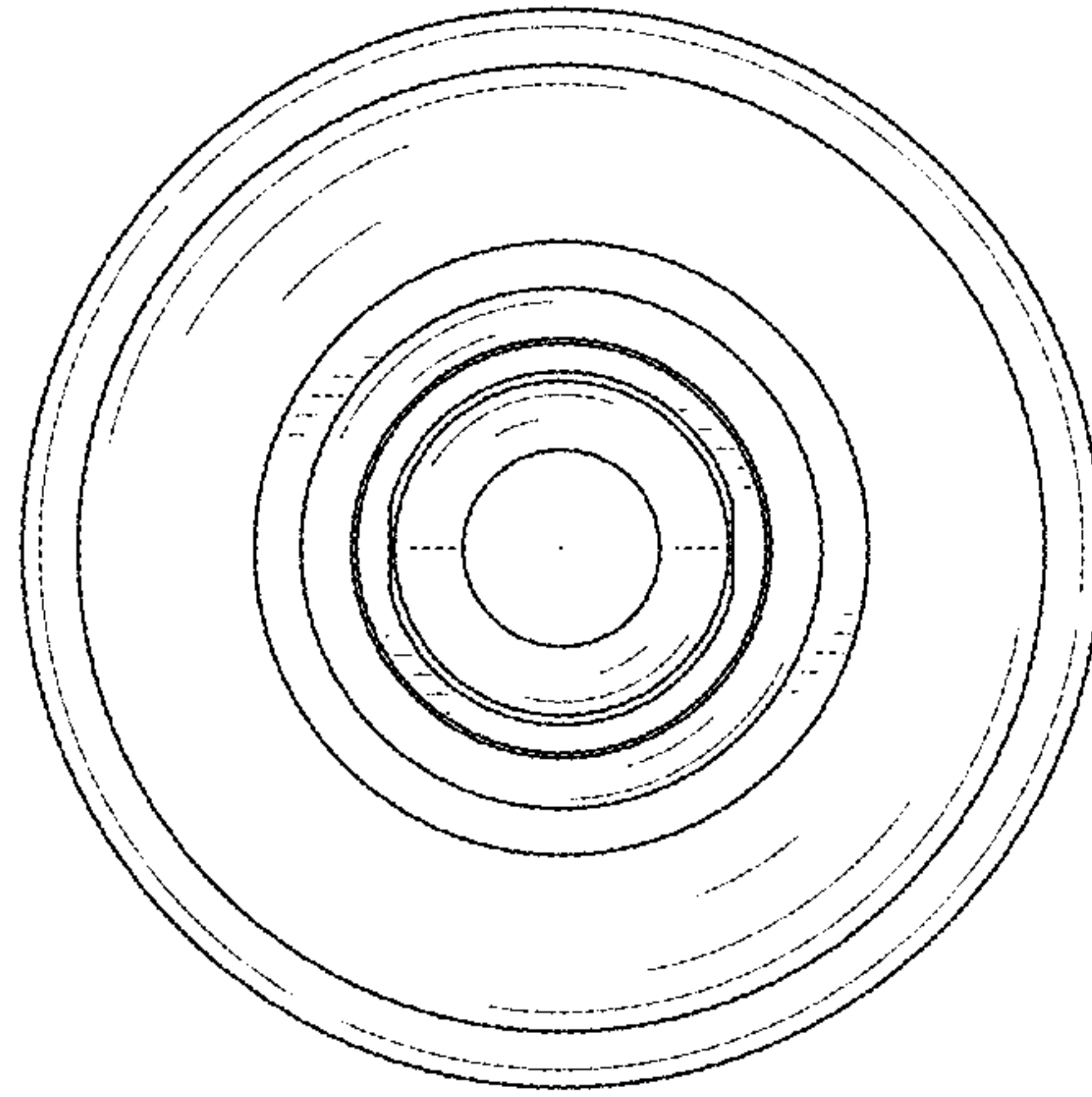


FIG. 7

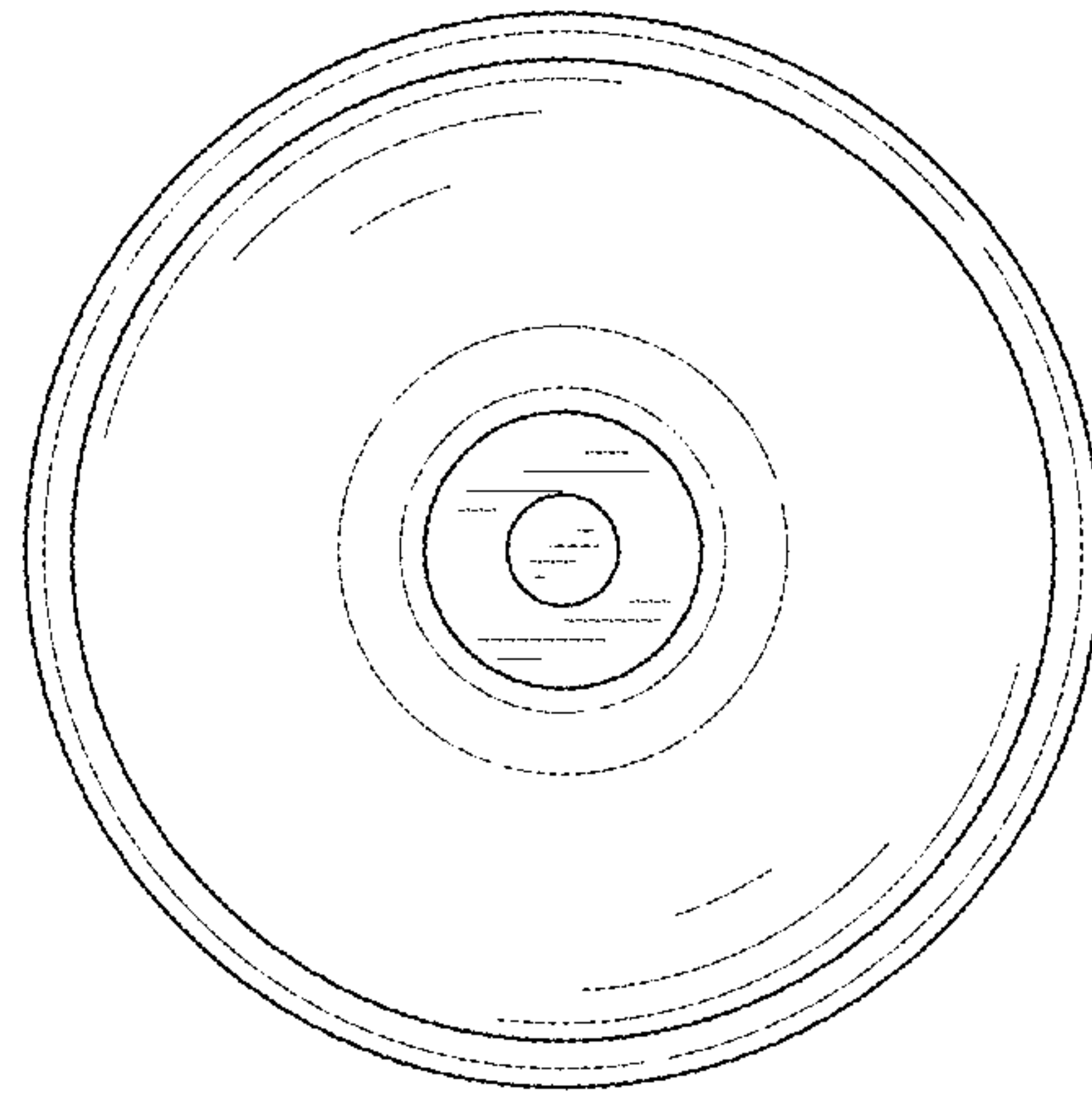


FIG. 8