



US00D970756S

(12) **United States Design Patent**
Busatta et al.

(10) **Patent No.:** **US D970,756 S**

(45) **Date of Patent:** **** Nov. 22, 2022**

(54) **STUDED MEMBRANE FOR BUILDING CONSTRUCTIONS**

(71) Applicant: **TEMA-TECHNOLOGIES AND MATERIALS S.R.L.**, Vittorio Veneto (IT)

(72) Inventors: **Nicola Busatta**, Conegliano (IT); **Federico Cais**, Vendemiano (IT)

(**) Term: **15 Years**

(21) Appl. No.: **35/511,979**

(22) Filed: **Apr. 22, 2021**

(80) **Hague Agreement Data**

Int. Filing Date: **Apr. 22, 2021**

Int. Reg. No.: **DM/214370**

Int. Reg. Date: **Apr. 22, 2021**

Int. Reg. Pub. Date: **Jun. 4, 2021**

(51) **LOC (13) Cl.** **25-01**

(52) **U.S. Cl.**
USPC **D25/138**

(58) **Field of Classification Search**
USPC D25/138, 142, 144, 152, 153, 156, 157, D25/158, 159, 160, 161, 163, 199
CPC H05B 3/00; F24D 3/12; F24D 3/14; F24D 3/142; F24D 3/146; F24D 13/02; E04C 2/52; E04F 15/185
See application file for complete search history.

(56) **References Cited**

U.S. PATENT DOCUMENTS

3,232,371	A *	2/1966	Reichert	E04B 1/86
					D25/153
D587,358	S *	2/2009	Stephan	D23/314
D721,191	S *	1/2015	Amend	D25/157
D747,503	S *	1/2016	Reynolds	D25/158
D773,697	S *	12/2016	Amend	D25/157

9,719,265	B2 *	8/2017	Bordin	F24D 3/141
9,726,383	B1 *	8/2017	Bordin	F24D 3/142
D806,274	S *	12/2017	Bordin	D25/138
D806,275	S *	12/2017	Bordin	D25/138
D806,276	S *	12/2017	Bordin	D25/138
D806,277	S *	12/2017	Bordin	D25/138
D806,278	S *	12/2017	Bordin	D25/138
D806,279	S *	12/2017	Bordin	D25/138
D806,280	S *	12/2017	Bordin	D25/138
D806,912	S *	1/2018	Bordin	D25/138
D818,615	S *	5/2018	Bordin	D25/138
D818,616	S *	5/2018	Bordin	D25/138
D818,617	S *	5/2018	Bordin	D25/138
D830,584	S *	10/2018	Comitale	D25/138
D832,467	S *	10/2018	Bordin	D25/138
10,190,324	B2 *	1/2019	Julton	E04F 15/02044
D857,244	S *	8/2019	Faotto	D25/138
D857,933	S *	8/2019	Julton	D25/138
D874,687	S *	2/2020	Schluter	D25/138
D897,000	S *	9/2020	Julton	D25/138

(Continued)

Primary Examiner — Darlington Ly

(74) *Attorney, Agent, or Firm* — Egbert, McDaniel & Swartz, PLLC

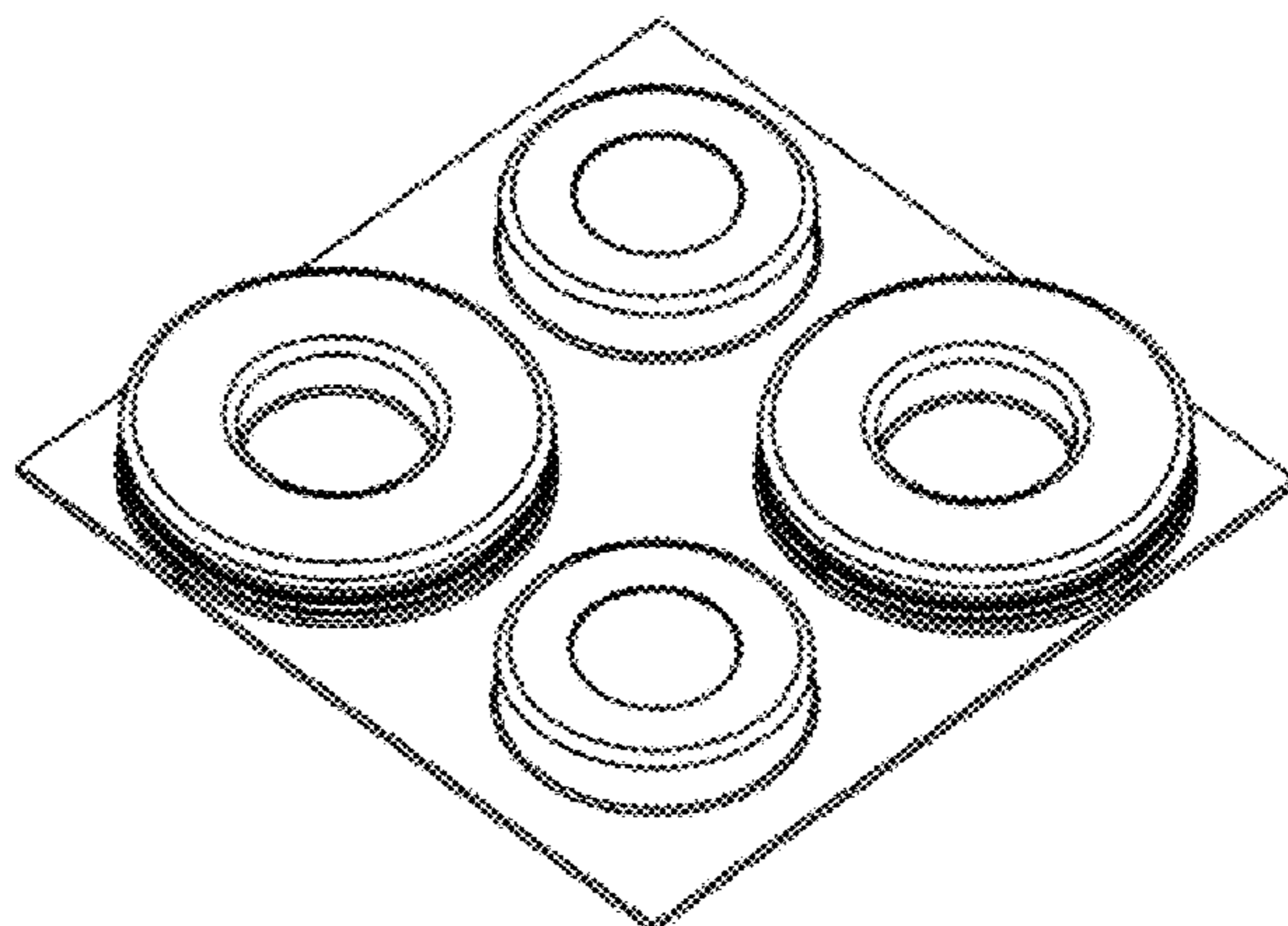
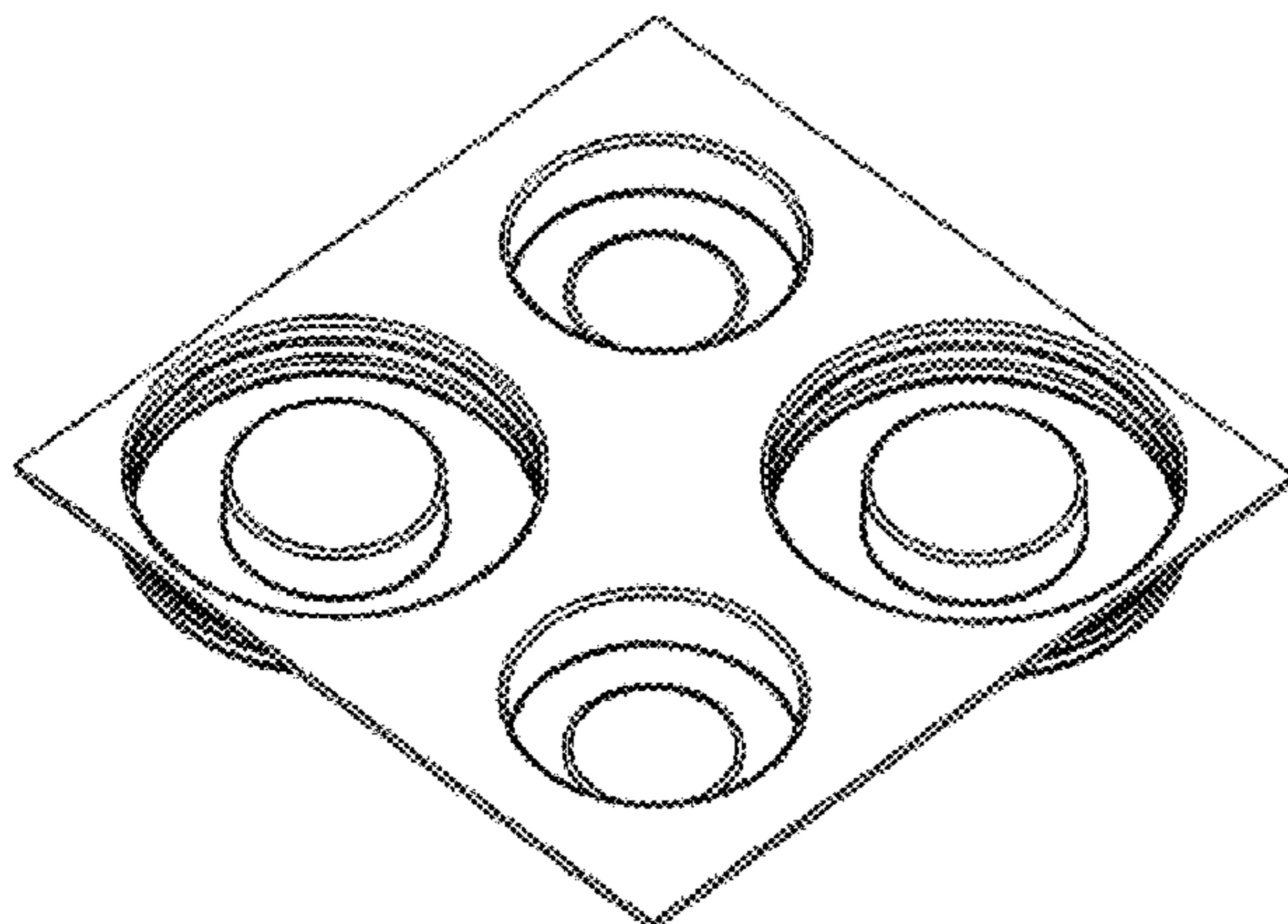
(57) **CLAIM**

The ornamental design for a studded membrane for building constructions, as shown and described.

DESCRIPTION

1. Studded membrane for building constructions
 2. Studded membrane for building constructions
 3. Studded membrane for building constructions
 4. Studded membrane for building constructions
 5. Studded membrane for building constructions
 6. Studded membrane for building constructions
 7. Studded membrane for building constructions
- 6.1** is a top perspective view of a studded membrane for building constructions embodying our new design;
6.2 is a bottom perspective view thereof;
6.3 is a top plan view thereof; and
6.4 is a front elevation view thereof.

1 Claim, 4 Drawing Sheets



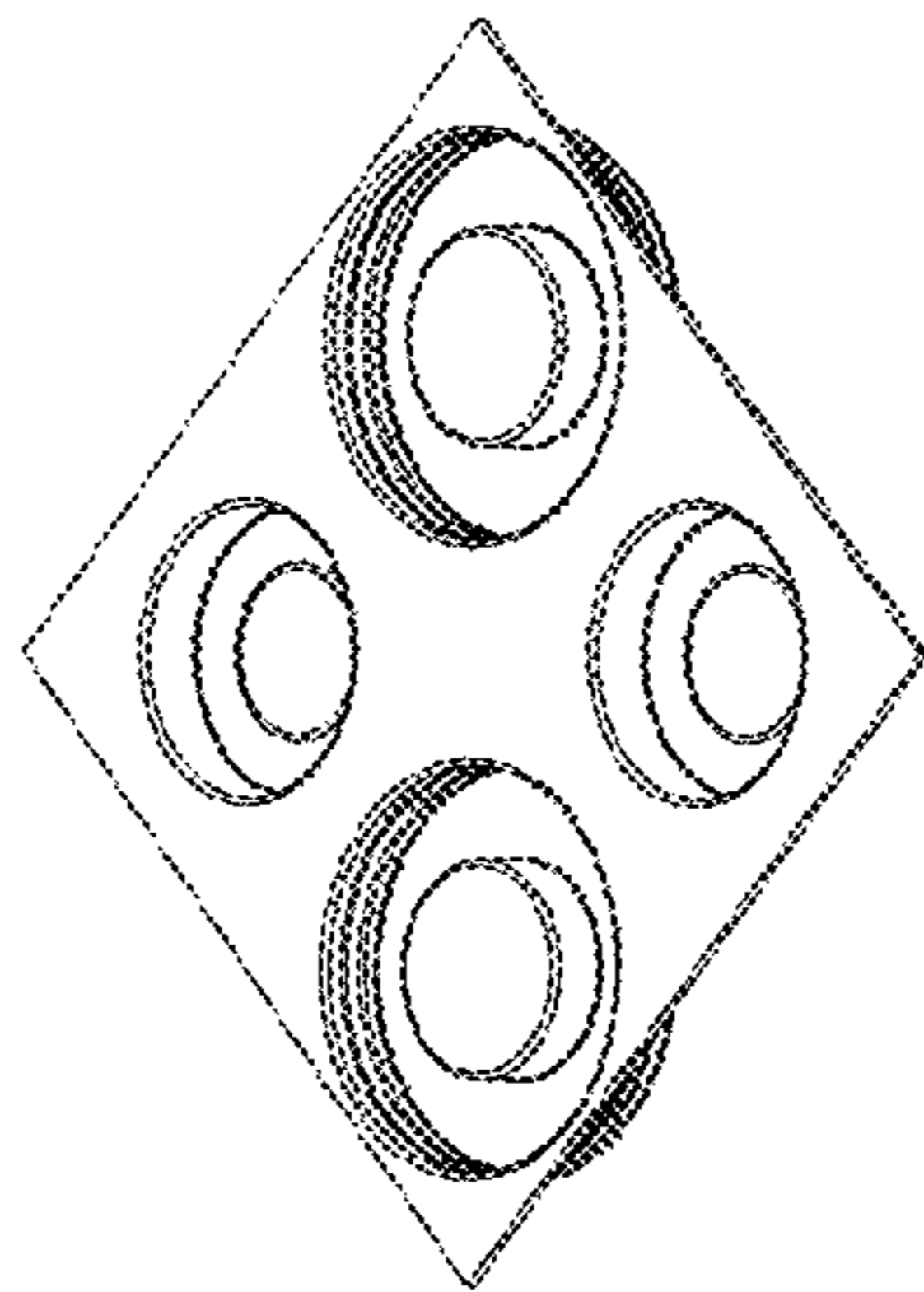
(56)

References Cited

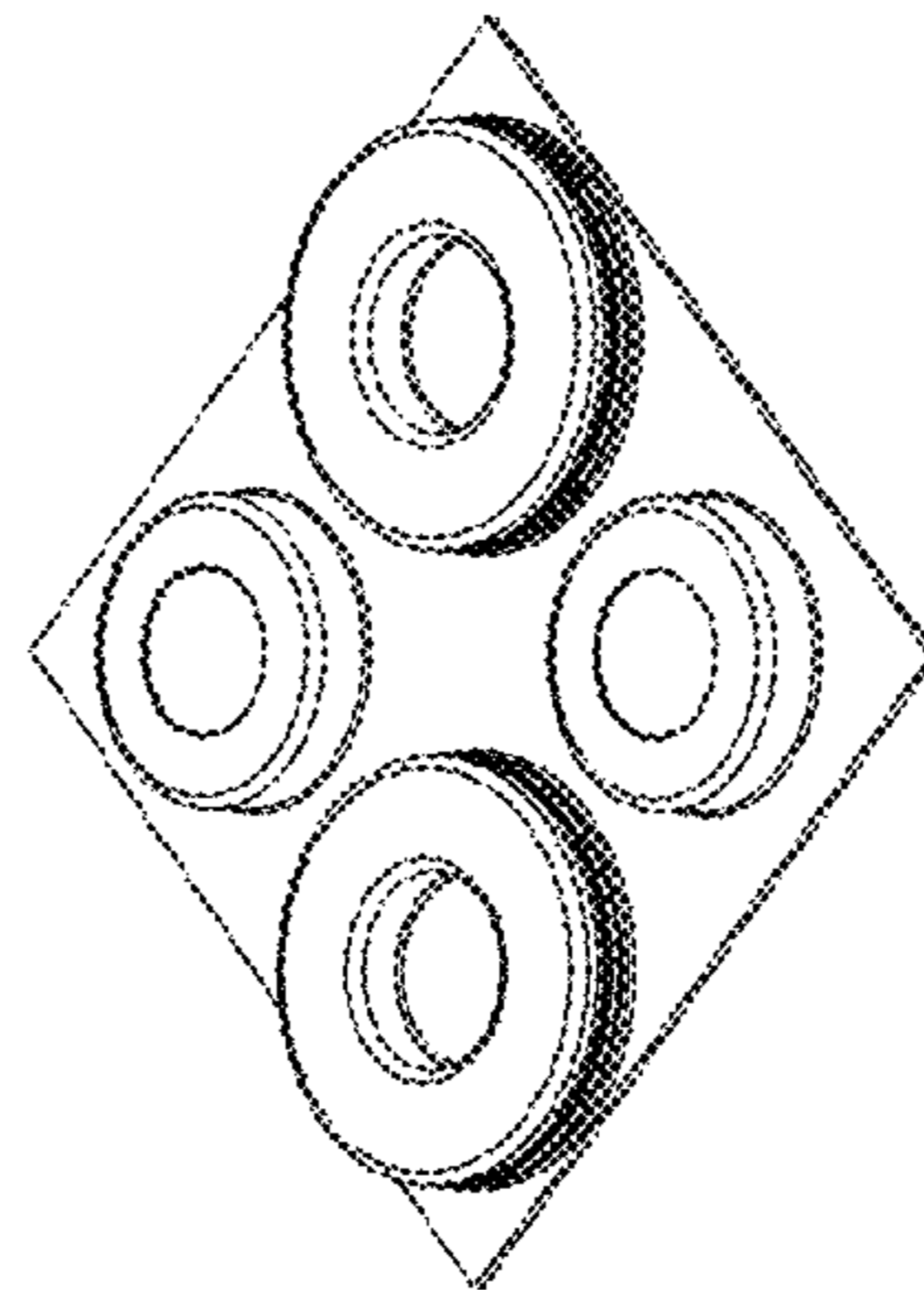
U.S. PATENT DOCUMENTS

2014/0069039 A1* 3/2014 Schluter E04F 15/185
52/390
2016/0130803 A1* 5/2016 Comitale B32B 5/028
428/156
2016/0160502 A1* 6/2016 Brousseau E04C 2/205
52/309.4
2017/0073980 A1* 3/2017 Szonok H02G 1/06
2017/0307229 A1* 10/2017 Larson E04F 15/182

* cited by examiner

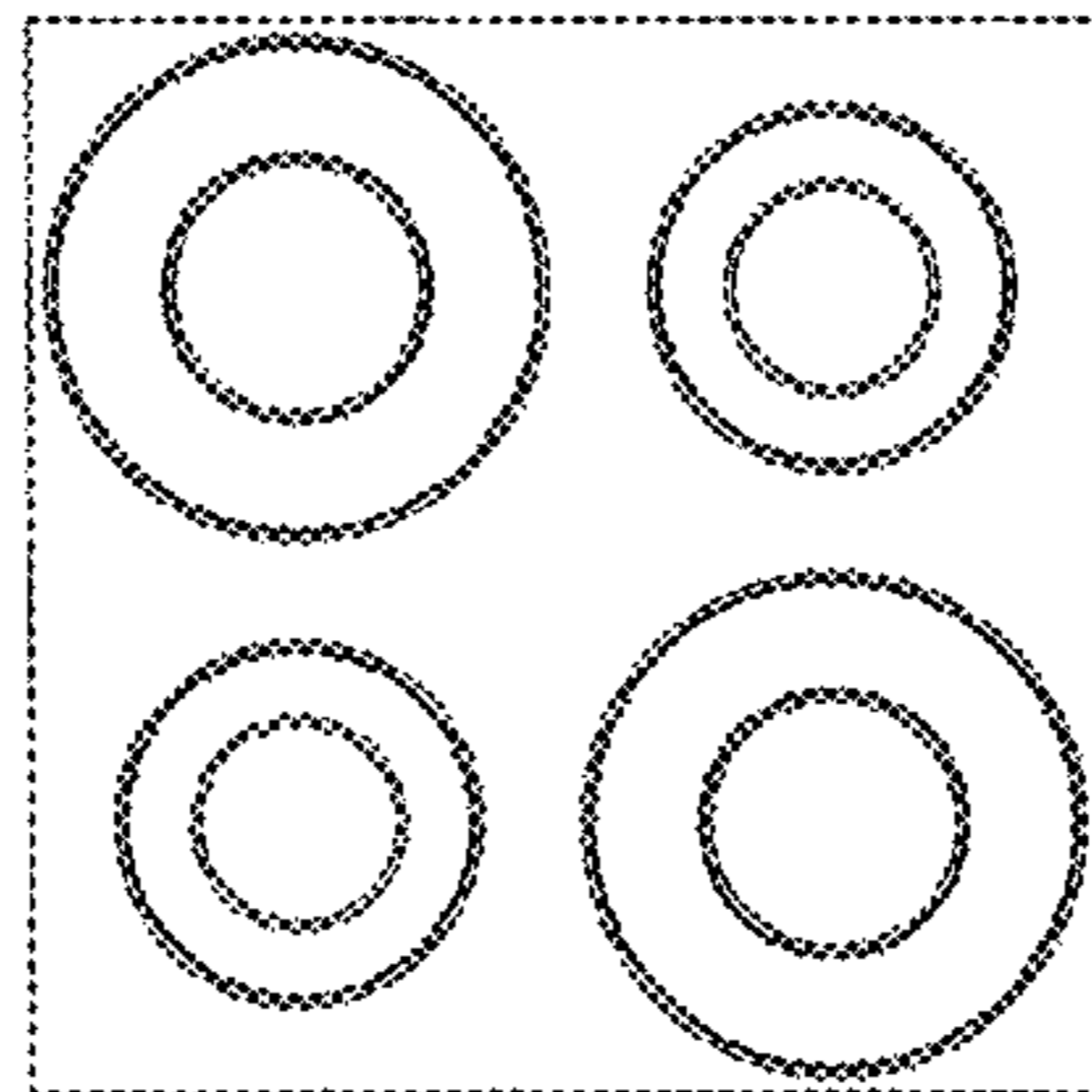


6.1



6.2

6.3



6.4

