

US00D970755S

(12) **United States Design Patent** (10) **Patent No.:** **US D970,755 S**
DiBiase (45) **Date of Patent:** **** Nov. 22, 2022**

(54) **GUARD RAIL SYSTEM POST** D806,902 S * 1/2018 Morales D25/126
D825,784 S * 8/2018 Ma D25/134
(71) Applicant: **Buildergear Corporation**, Sarnia (CA) D917,077 S * 4/2021 Henderson E04F 11/181
D25/126

(72) Inventor: **Joseph DiBiase**, Kleinburg (CA) * cited by examiner

(**) Term: **15 Years**

Primary Examiner — Samantha Q Lawrence
(74) *Attorney, Agent, or Firm* — Banner & Witcoff, Ltd.

(21) Appl. No.: **29/715,428**

(57) **CLAIM**

(22) Filed: **Dec. 2, 2019**

The ornamental design for a guard rail system post, as shown and described.

(51) **LOC (13) Cl.** **25-01**

(52) **U.S. Cl.**
USPC **D25/131**

DESCRIPTION

(58) **Field of Classification Search**
USPC D25/119, 125, 126, 127, 128, 129, 130,
D25/131, 132, 133, 134, 135, 136
CPC E04B 9/068; E04C 3/07; E04C 2003/046
See application file for complete search history.

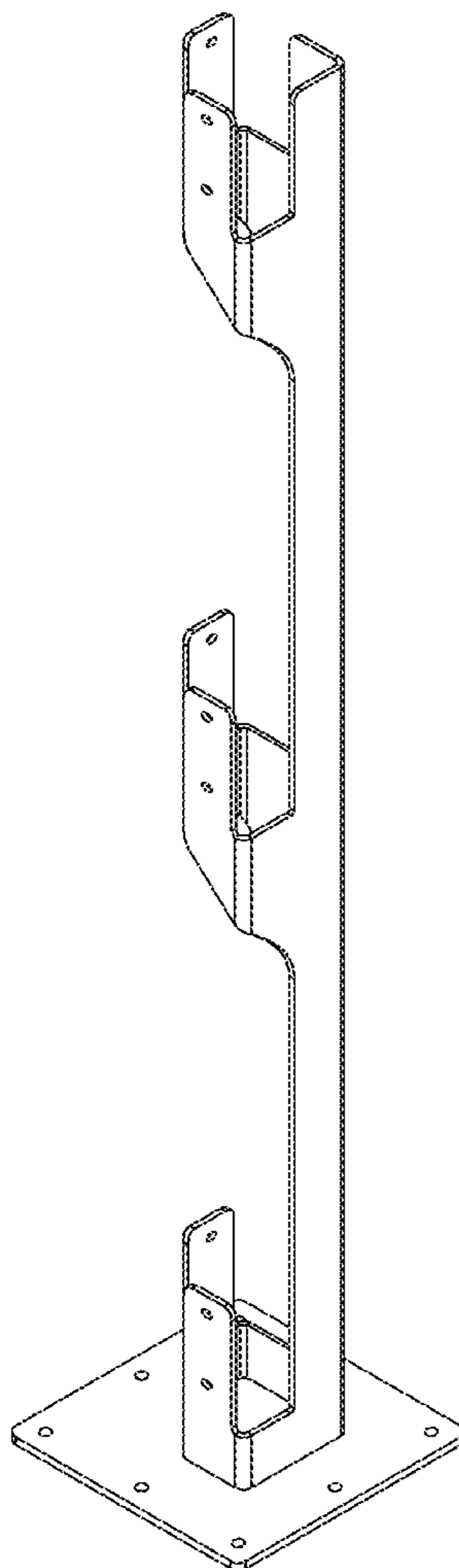
FIG. 1 is a front perspective view of a first embodiment for a guard rail system post showing my new design;
FIG. 2 is a rear perspective view thereof;
FIG. 3 is a front view thereof;
FIG. 4 is a rear view thereof;
FIG. 5 is a top view thereof;
FIG. 6 is a bottom view thereof;
FIG. 7 is a right side view thereof; and,
FIG. 8 is a left side view thereof.

(56) **References Cited**

U.S. PATENT DOCUMENTS

D373,834 S * 9/1996 McMillian D25/126
D794,221 S * 8/2017 Morales D25/126

1 Claim, 5 Drawing Sheets



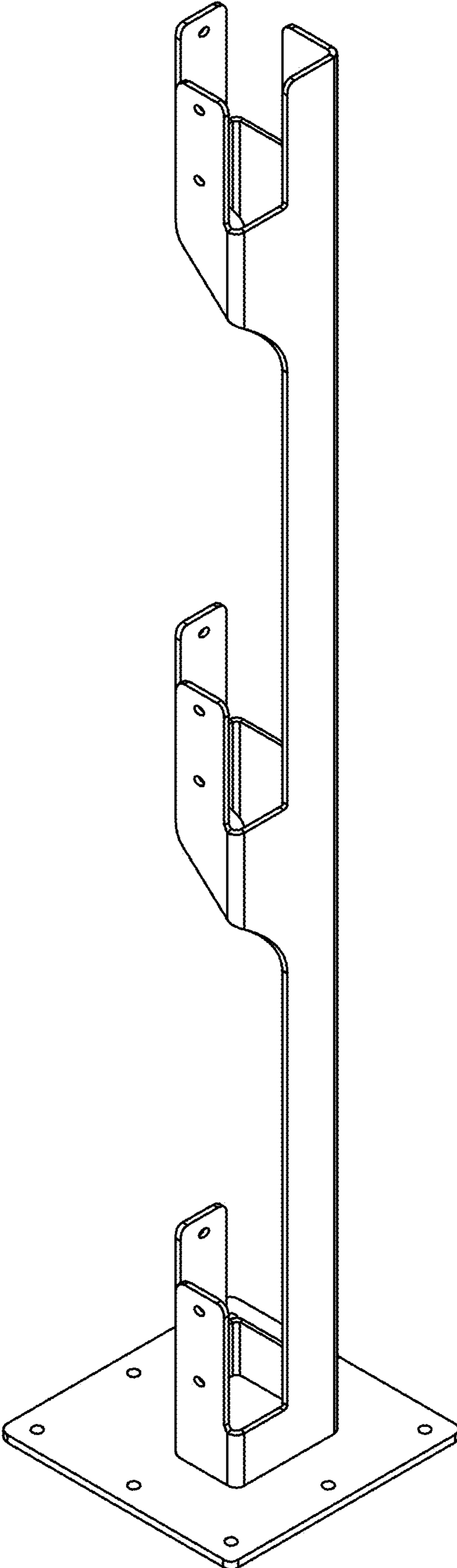


FIG. 1

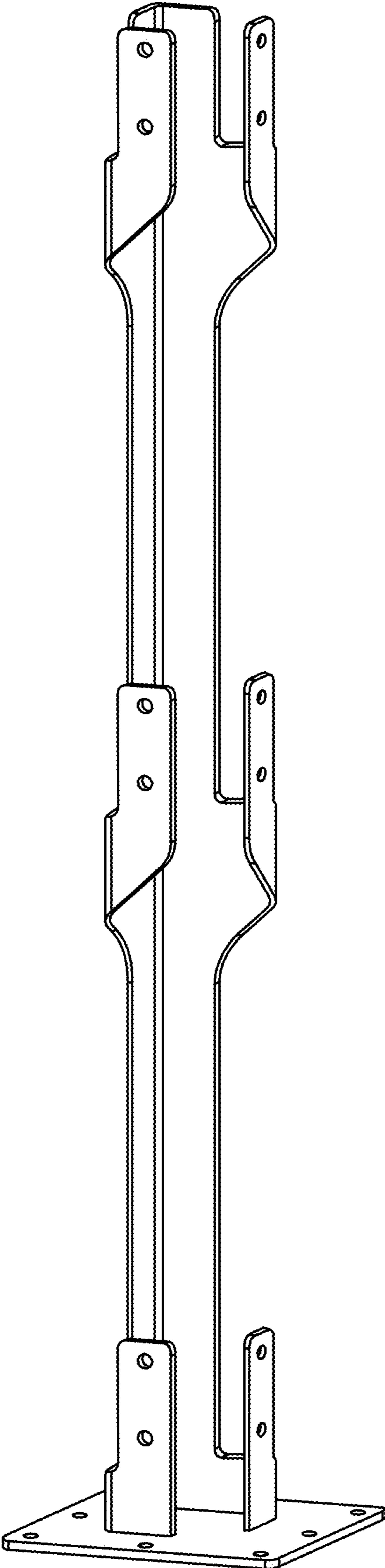


FIG. 2

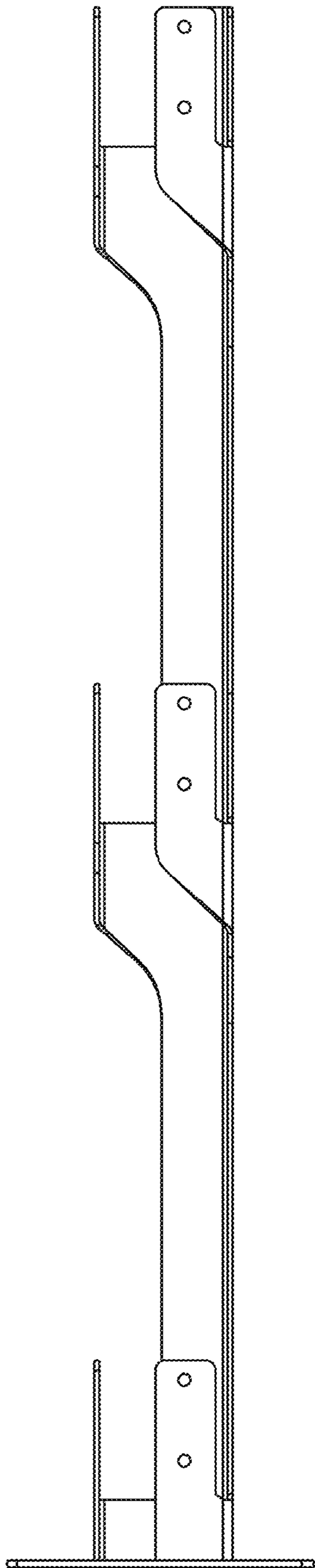


FIG. 3

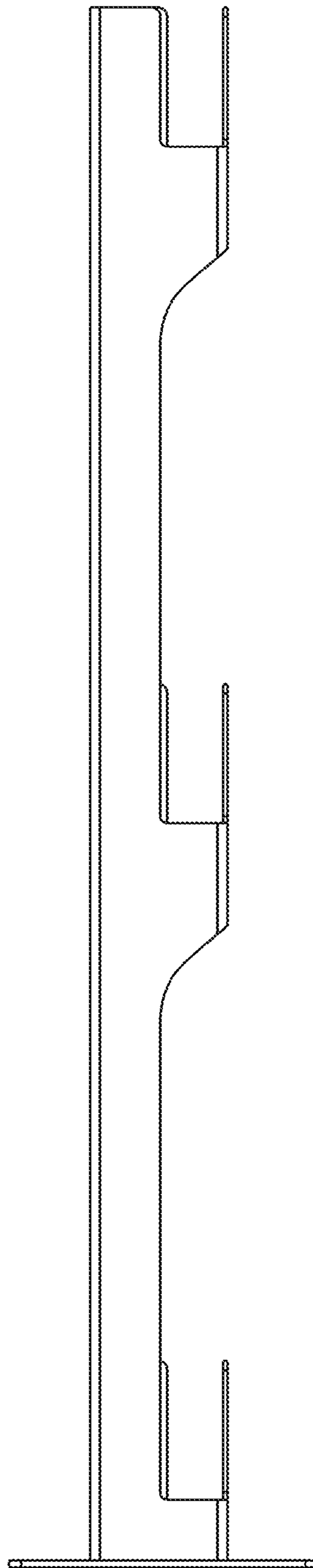


FIG. 4

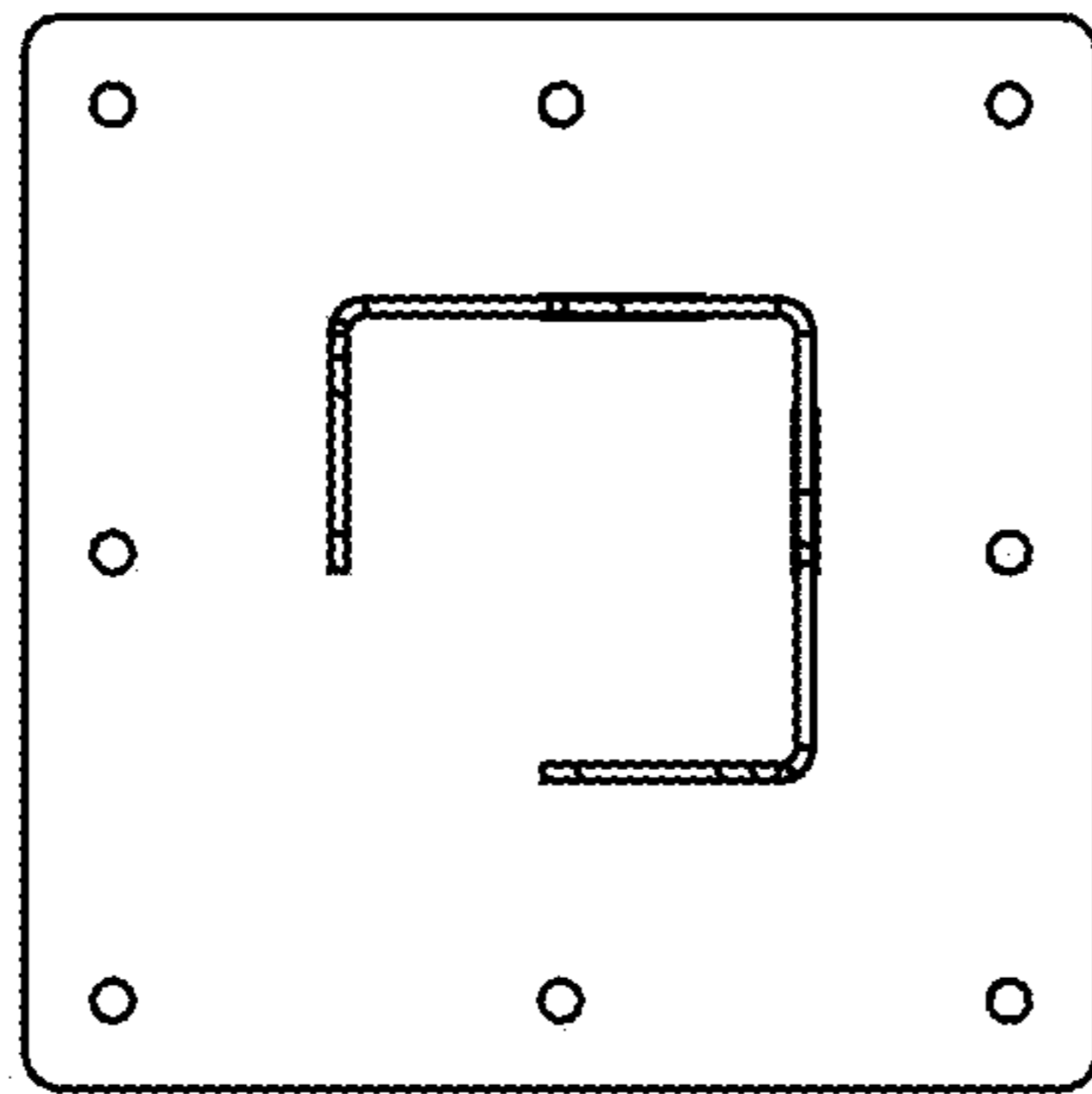


FIG. 5

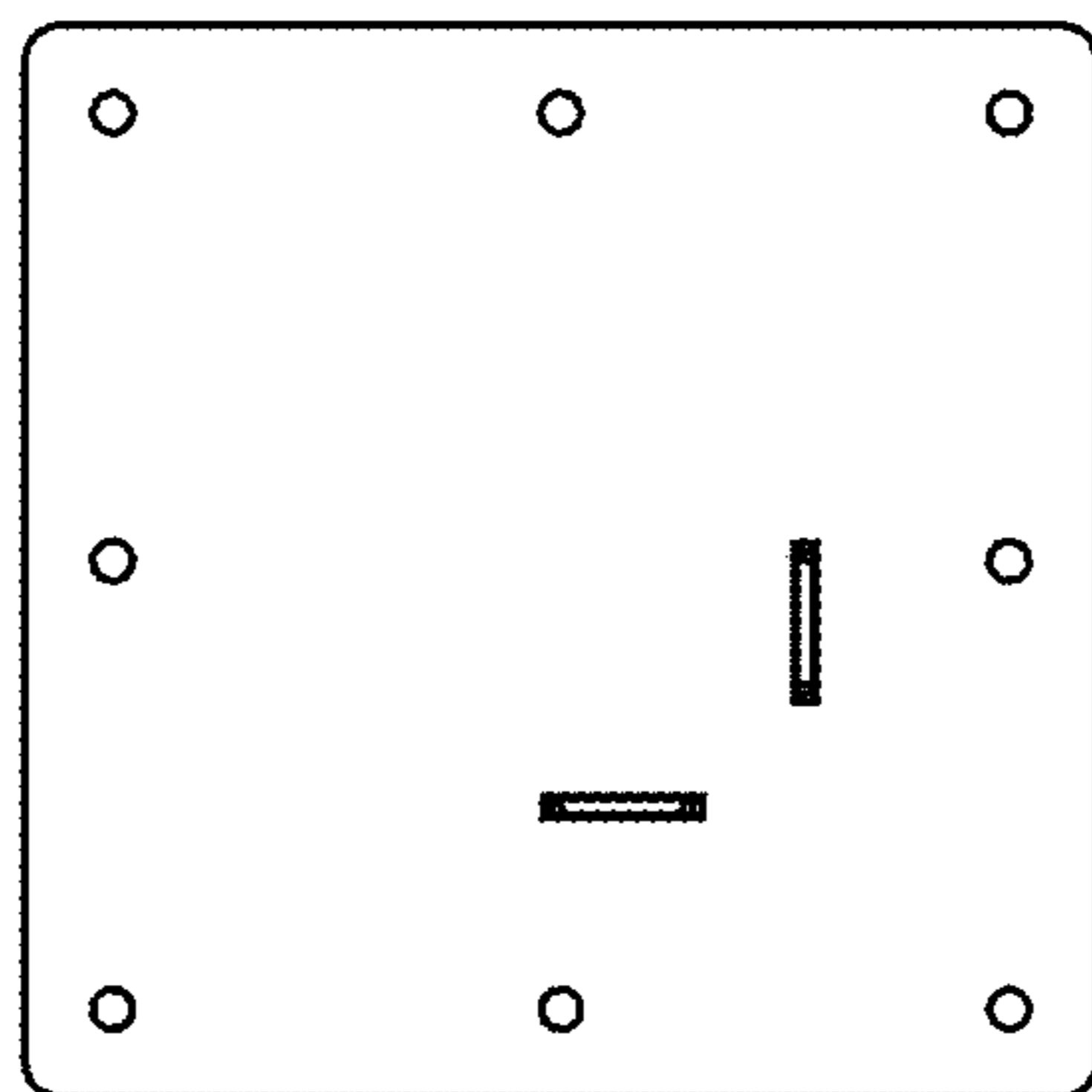


FIG. 6

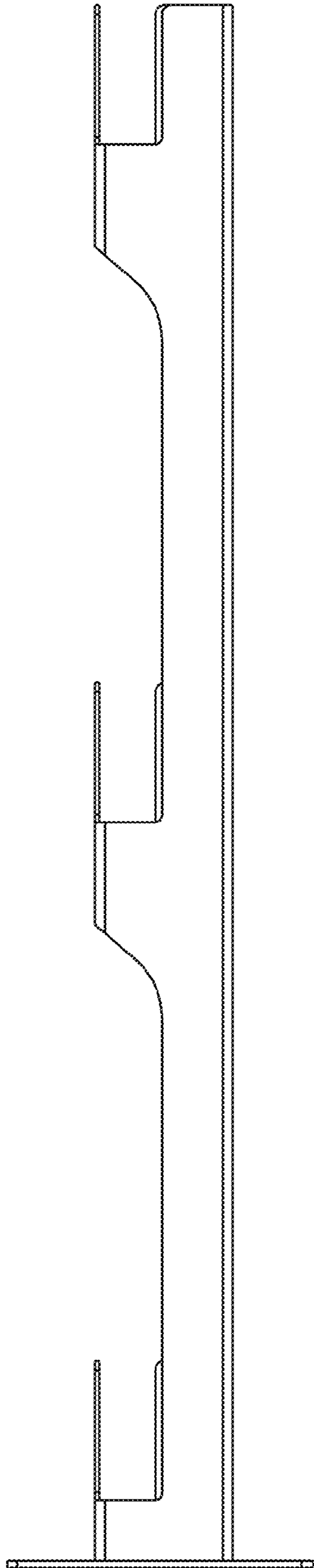


FIG. 7

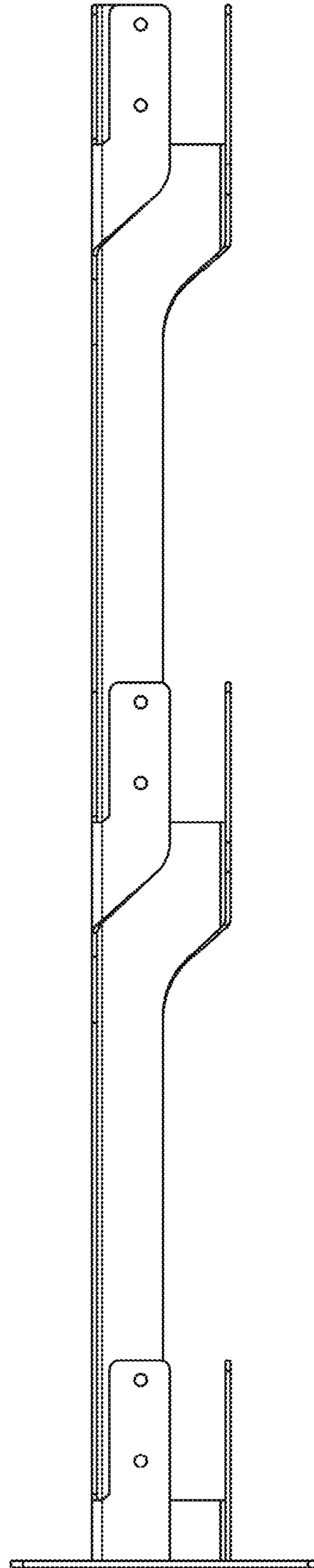


FIG. 8