



US00D970751S

(12) **United States Design Patent**
Matsuzaki et al.

(10) **Patent No.:** **US D970,751 S**
(45) **Date of Patent:** **** Nov. 22, 2022**

(54) **ISOLATION CLEAN BOOTH**

FOREIGN PATENT DOCUMENTS

(71) Applicants: **Hitachi Global Life Solutions, Inc.**,
Tokyo (JP); **SHANGHAI RORZE**
REMED BIOTECHNOLOGY Co.,
Ltd., Shanghai (CN); **RORZE**
Lifescience, Inc., Ibaraki (JP)

CN 302470434 * 6/2013
JP D1659235 * 5/2020

(72) Inventors: **Kazuhito Matsuzaki**, Tokyo (JP);
Yuuiti Sato, Tokyo (JP); **Fuyue Wu**,
Shanghai (CN); **Wenbo Qu**, Shanghai
(CN); **Yukito Yamasaki**, Ibaraki (JP)

OTHER PUBLICATIONS

Isolated device for medical use “Negative pressure clean booth”,
available in hitachi-gls.co.jp, announced Year 2020 [online], [site
visited Feb. 23, 2022], Internet URL: [https://www.hitachi-gls.co.jp/
products/cpc/negative-cleanbooth/index_en.html](https://www.hitachi-gls.co.jp/products/cpc/negative-cleanbooth/index_en.html) (Year: 2020).*

(Continued)

(73) Assignees: **Hitachi Global Life Solutions, Inc.**,
Tokyo (JP); **SHANGHAI RORZE**
REMED BIOTECHNOLOGY Co.,
Ltd., Shanghai (CN); **RORZE**
Lifescience, Inc., Tsukuba (JP)

Primary Examiner — Brett Miller

Assistant Examiner — Jasmine L. Comedy

(74) *Attorney, Agent, or Firm* — Crowell & Moring LLP

(**) Term: **15 Years**

(57) **CLAIM**

The ornamental design for an isolation clean booth, as
shown and described.

(21) Appl. No.: **29/747,405**

DESCRIPTION

(22) Filed: **Aug. 21, 2020**

(30) **Foreign Application Priority Data**

Apr. 21, 2020 (JP) 2020-008241 D

(51) **LOC (13) Cl.** **25-03**

(52) **U.S. Cl.**
USPC **D25/33**

(58) **Field of Classification Search**
USPC D25/1–35, 61, 157

(Continued)

(56) **References Cited**

U.S. PATENT DOCUMENTS

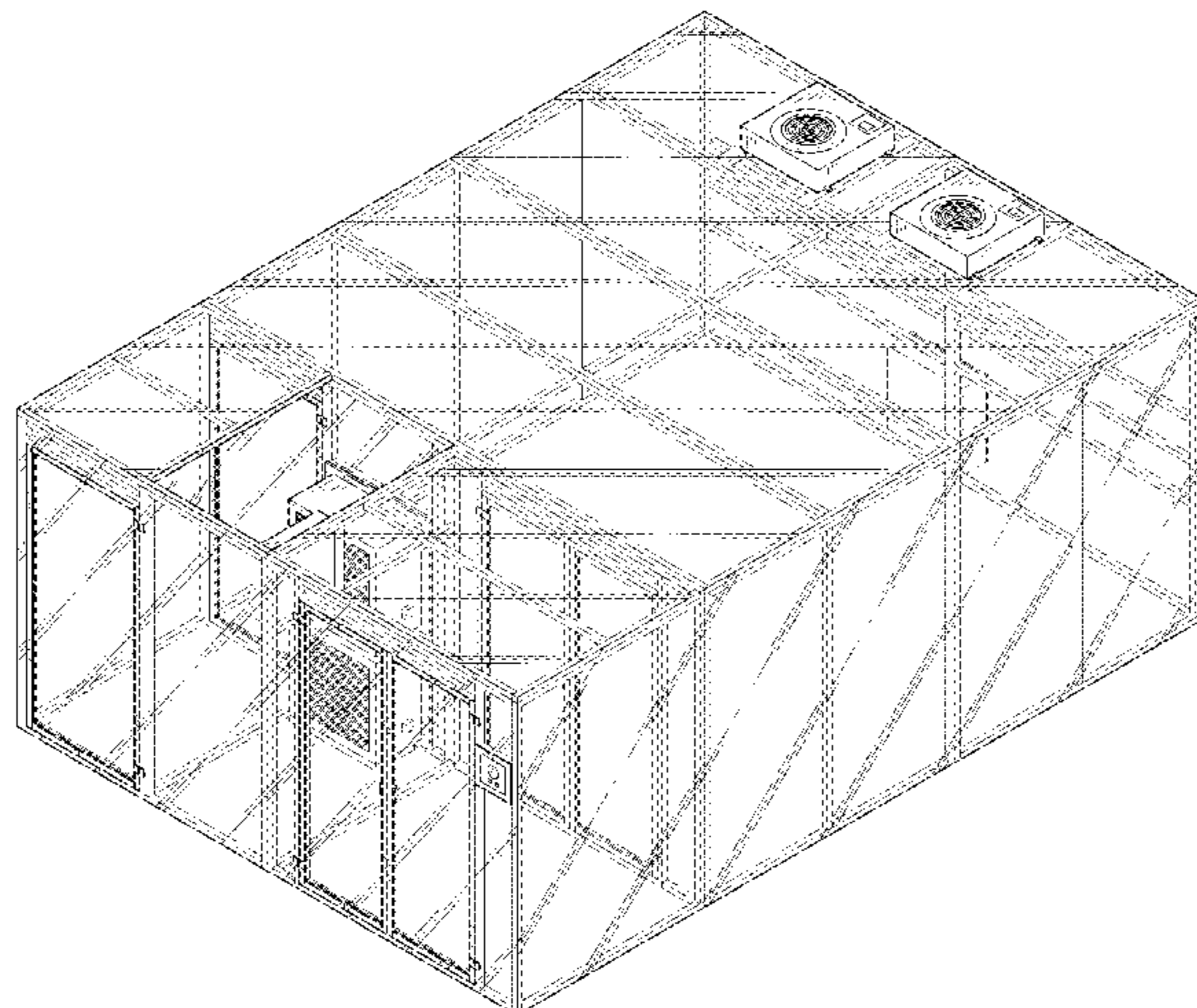
3,217,085 A * 11/1965 Lindgren H05K 9/0001
174/371

D238,572 S * 1/1976 Wheeler D25/1
(Continued)

FIG. 1 is a front, top, and right side perspective view of an
isolation clean booth according to the design;
FIG. 2 is a front elevational view thereof;
FIG. 3 is a rear elevational view thereof;
FIG. 4 is a right side elevational view thereof;
FIG. 5 is a left side elevational view thereof;
FIG. 6 is a top plan view thereof;
FIG. 7 is a bottom plan view thereof;
FIG. 8 is a cross-sectional view taken along line 8-8 of FIG.
2;
FIG. 9 is a cross-sectional view taken along line 9-9 of FIG.
4; and,
FIG. 10 is an enlarged view of the portion shown in BOX 10
in FIG. 9.

The broken lines illustrate portions of the isolation clean
booth that form no part of the claimed design. The hatching
shown in FIG. 8, FIG. 9, and FIG. 10 represents unclaimed
subject matter and forms no part of the claimed design. The
long and short dash broken lines in FIG. 9 and FIG. 10 are

(Continued)



used for defining the area in FIG. 9 that is enlarged in FIG. 10, and form no part of the claimed design.

1 Claim, 7 Drawing Sheets

(58) Field of Classification Search

CPC E04H 3/00; E04H 5/02; E04H 3/08; E04H 1/1277; E04H 1/06; E04H 1/1216; E04H 1/125; E04H 1/12; E04H 9/0235; E04H 1/1205; E04H 2001/1283; E04H 9/021
See application file for complete search history.

(56) References Cited

U.S. PATENT DOCUMENTS

4,267,769	A *	5/1981	Davis	A61L 9/16
				D25/1
4,409,889	A *	10/1983	Burleson	F24F 3/167
				55/385.2
D272,469	S *	1/1984	Burleson	D25/1
D299,891	S *	2/1989	Belszek	D25/1
D409,351	S *	5/1999	Ha	D25/16
D822,849	S *	7/2018	Levy	D25/33

2004/0194401	A1 *	10/2004	Smith	E04H 5/02
				52/79.9
2006/0217056	A1 *	9/2006	Gomi	F24F 8/10
				55/385.2
2012/0265005	A1 *	10/2012	Han	E04H 3/08
				600/21
2021/0254330	A1 *	8/2021	Perdue	E04H 1/125

OTHER PUBLICATIONS

Negative-pressure Clean Booth, available in hitachi.com, announced Year 2020 [online], [site visited Feb. 23, 2022], Internet URL: https://www.hitachi.com/rev/archive/2021/r2021_01/01b04/index.html (Year: 2020).*

Isolation Systems, available in cleanroomsint.com, announced Year 2007 [online], [site visited Feb. 23, 2022], Internet URL: <https://cleanroomsint.com/isolation-systems/> (Year: 2007).*

Container Hospital Modular Negative Pressure Isolation Clean Room, available in alibaba.com, announced Year 2019 [online], [site visited Feb. 23, 2022], Internet URL: https://www.alibaba.com/catalog/other-air-cleaning-equipment_cid100007297?spm=a2700.wholesale.debelsubf.6.1a333ed3q8BJgf (Year: 2019).*

“Mobile Isolation Unit Lite”, Rorze & Remed, Apr. 3, 2020, pp. 1-5, <http://www.rorze-remed.com/newsinfo/71780.html> (five (5) pages).

* cited by examiner

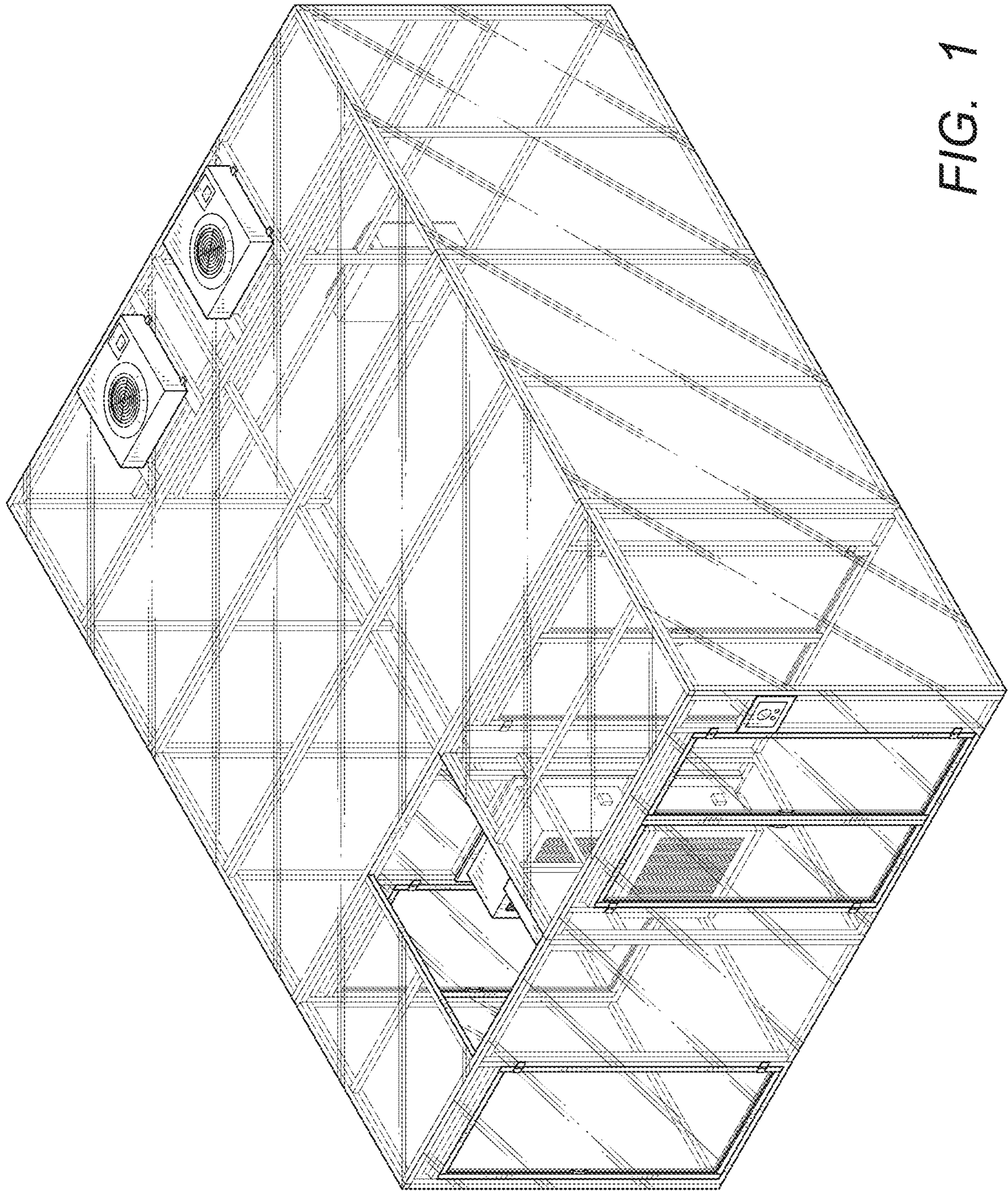


FIG. 1

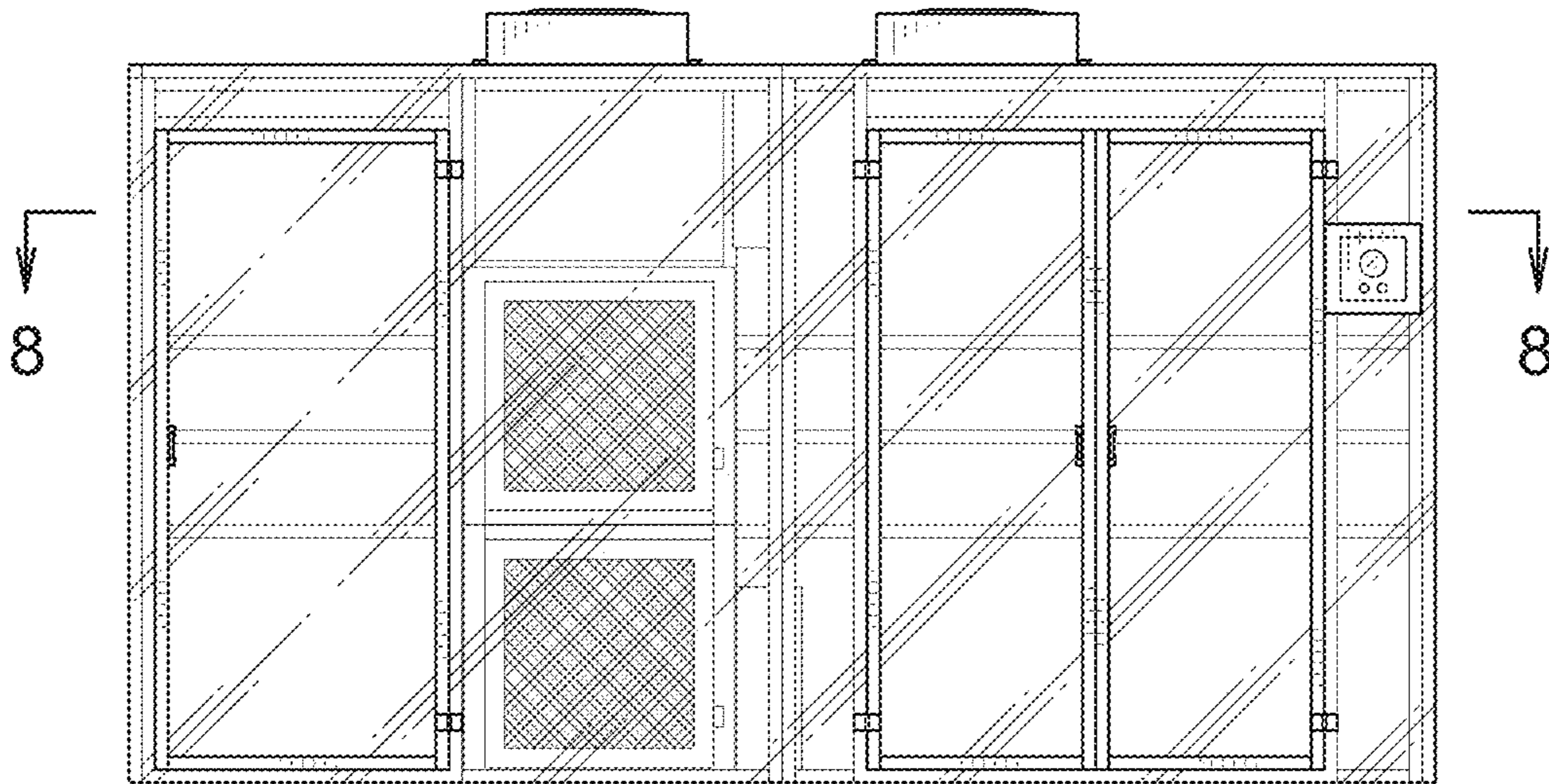


FIG. 2

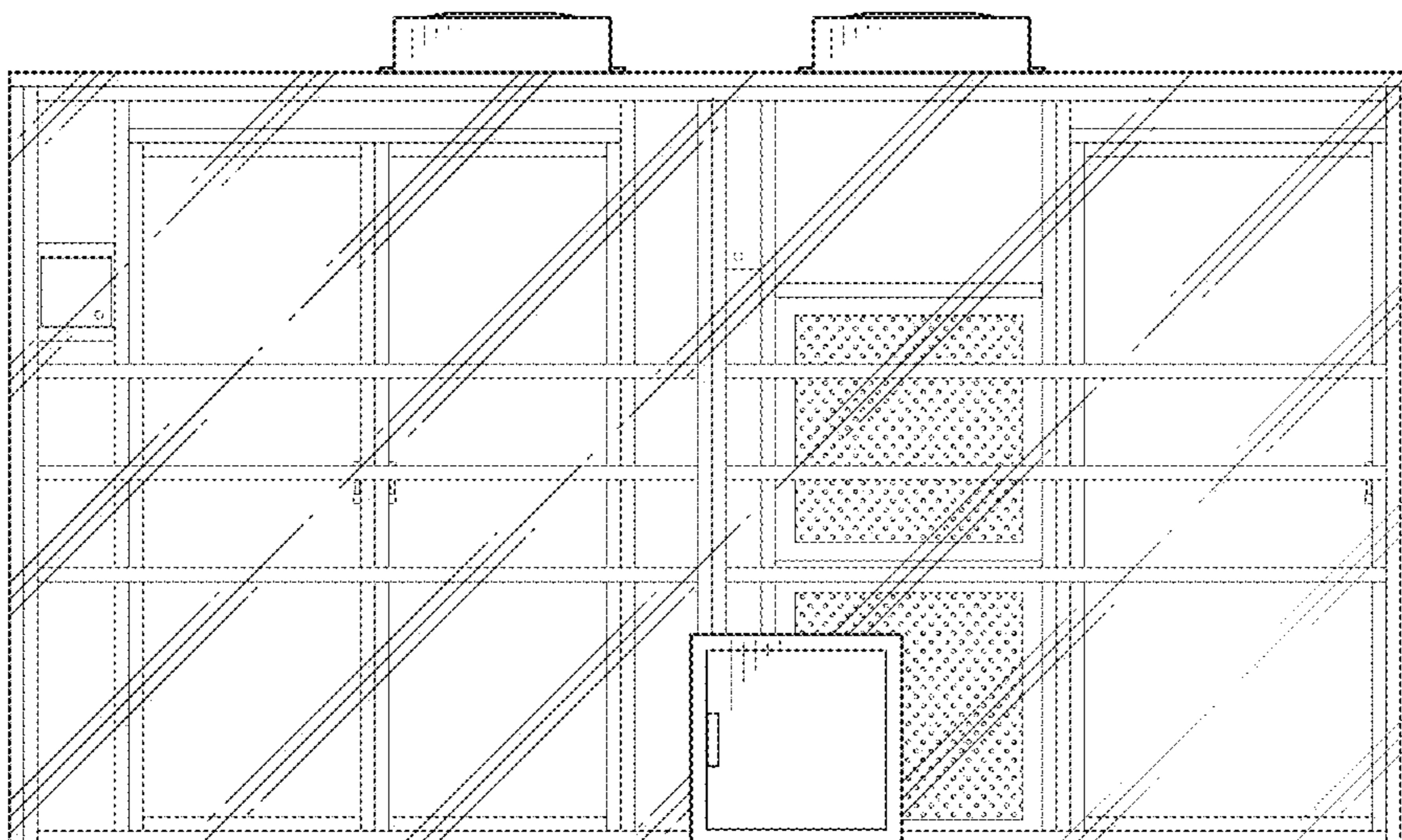


FIG. 3

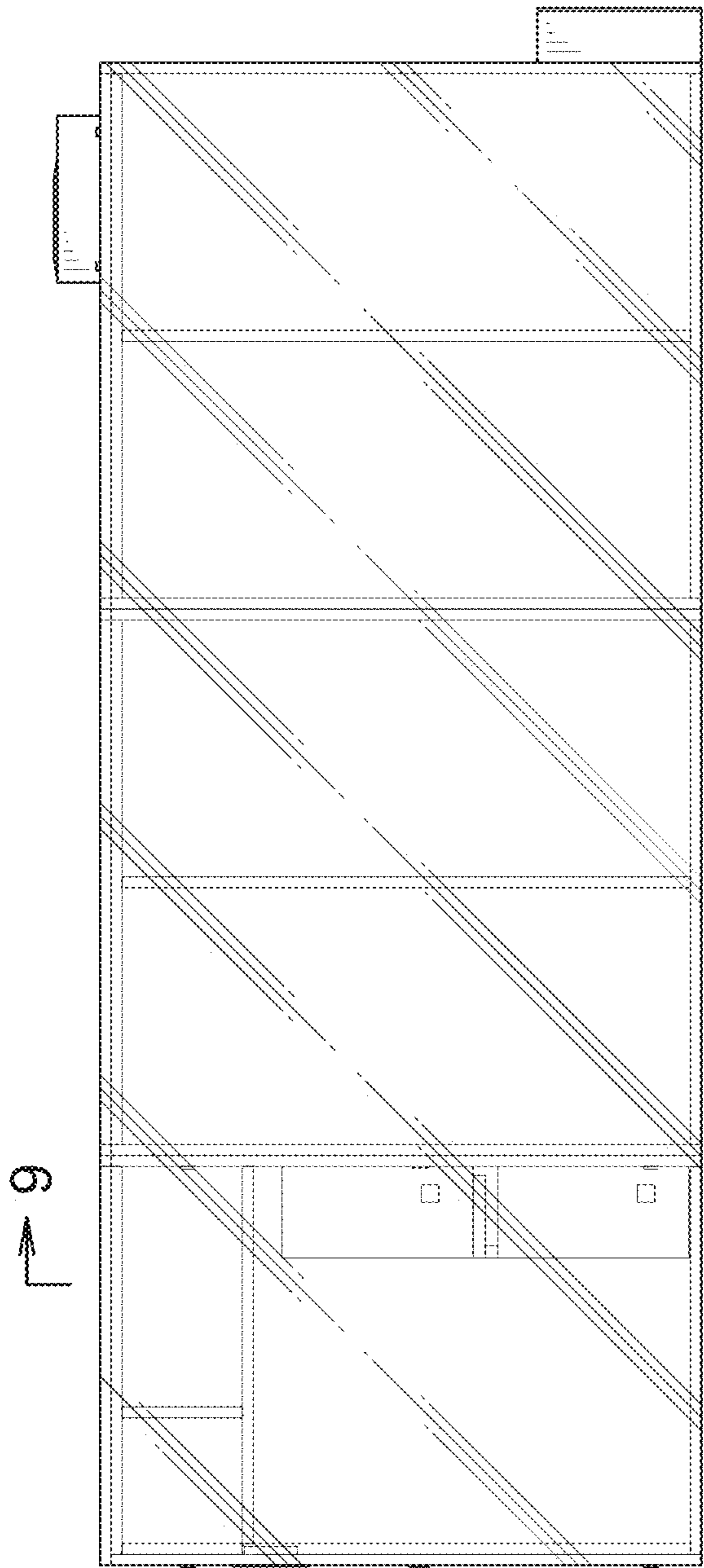


FIG. 4

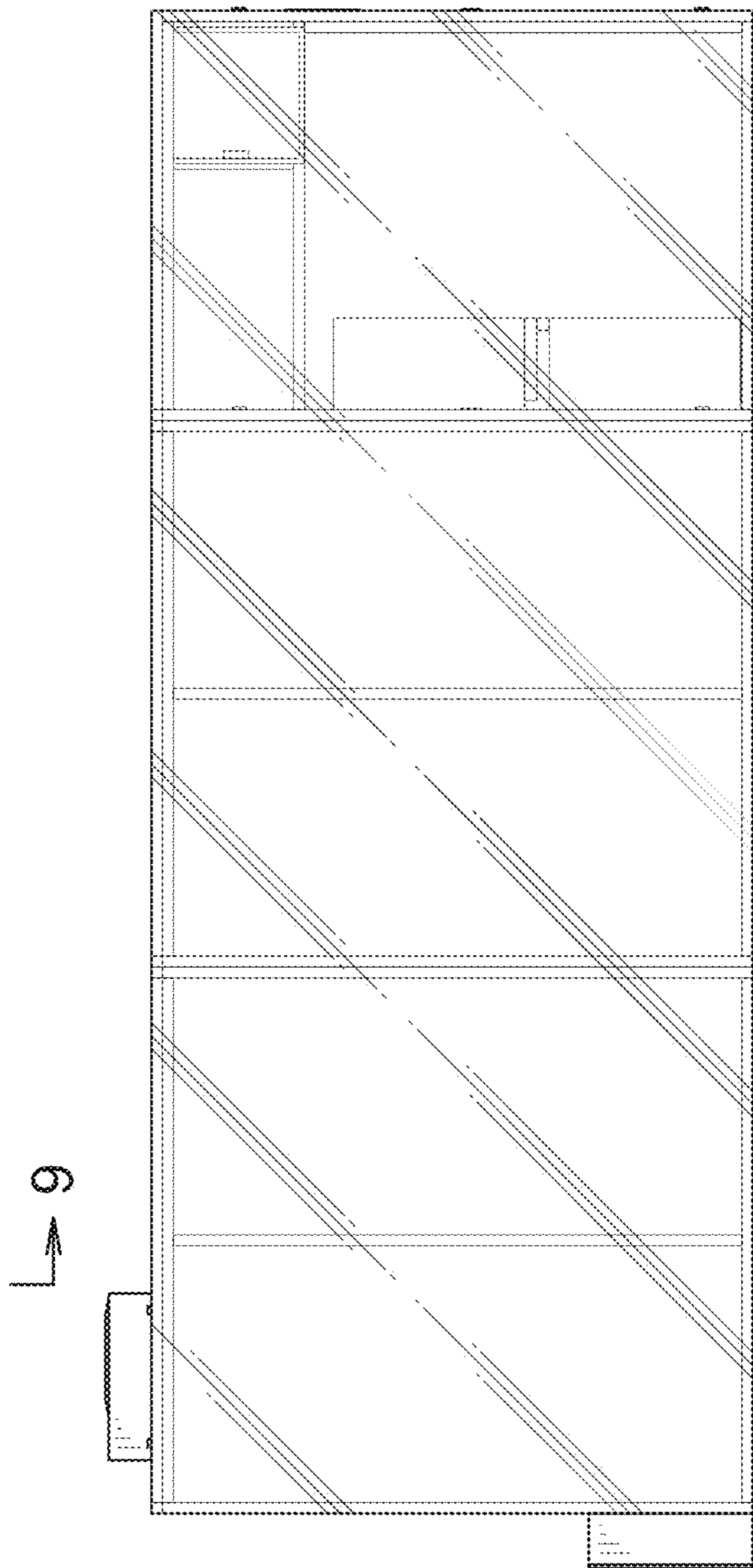


FIG. 5

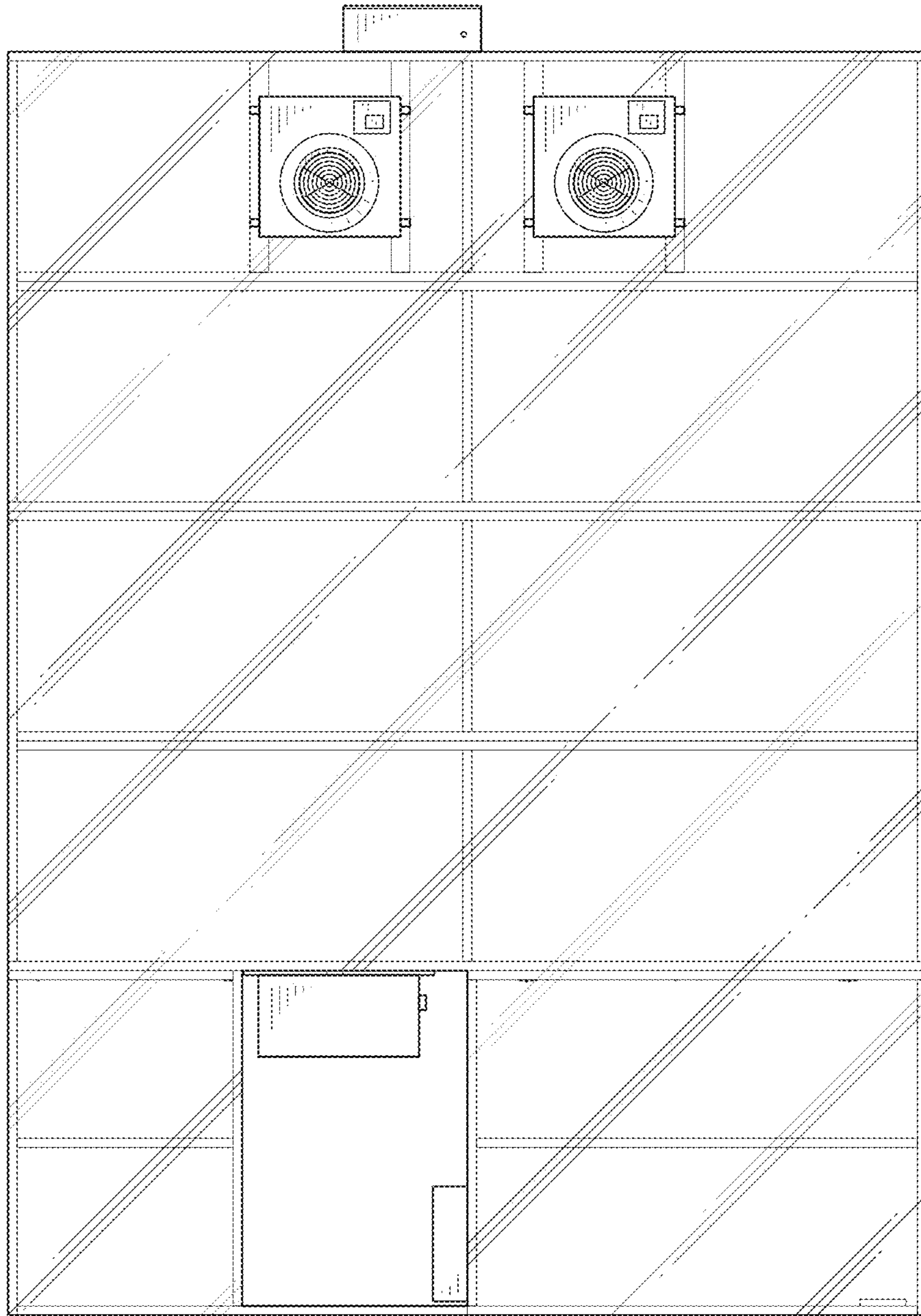


FIG. 6

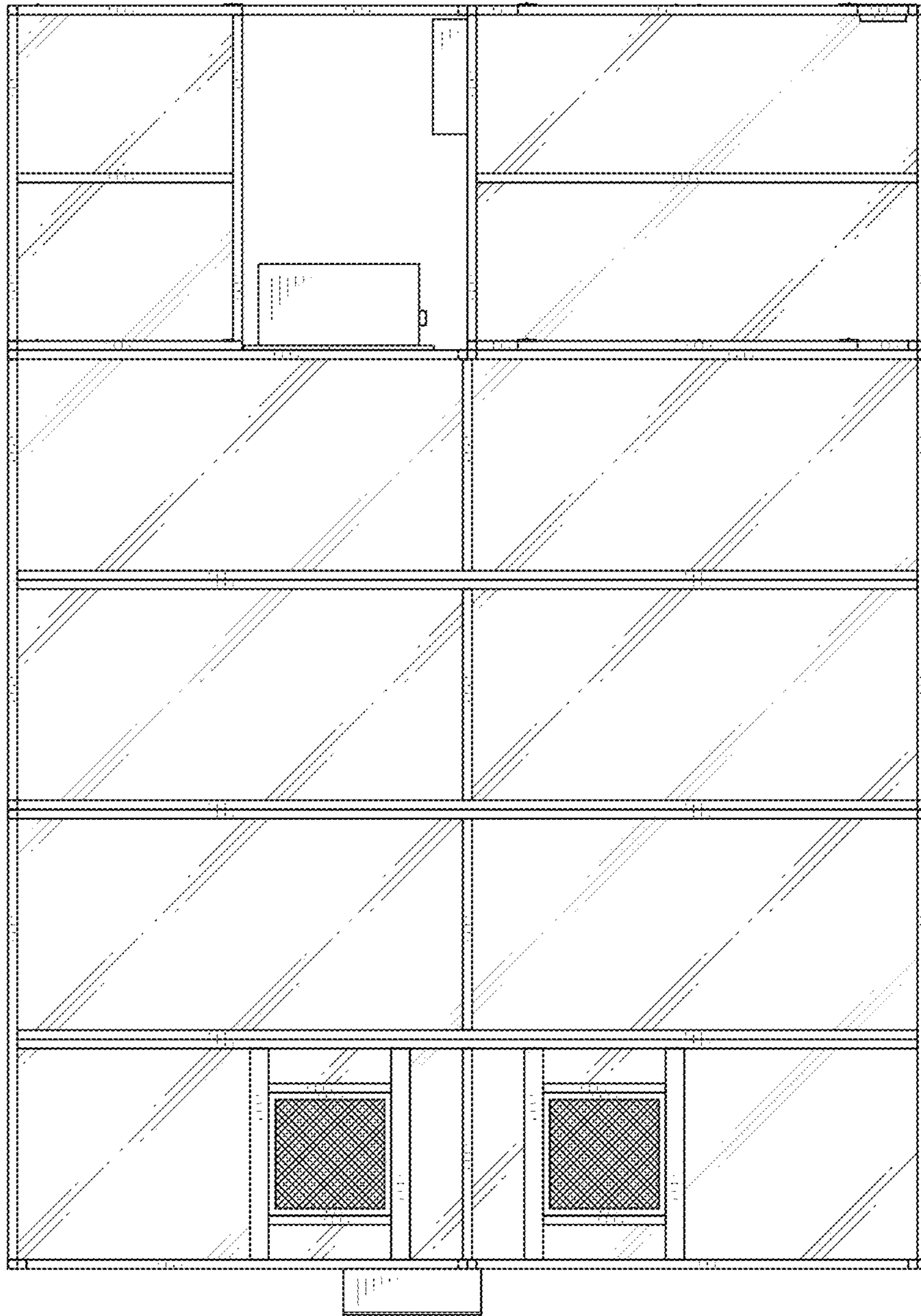


FIG. 7

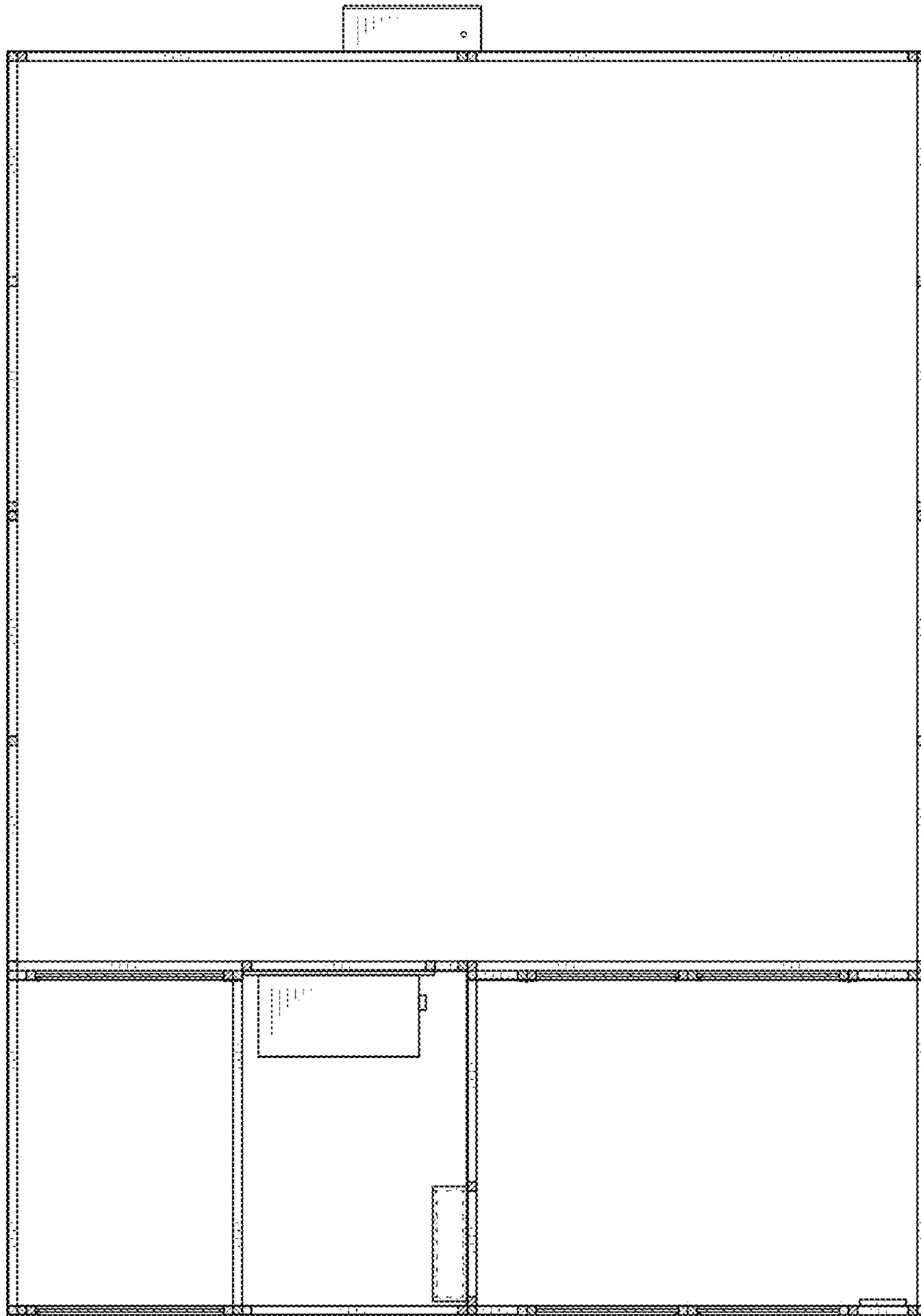


FIG. 8

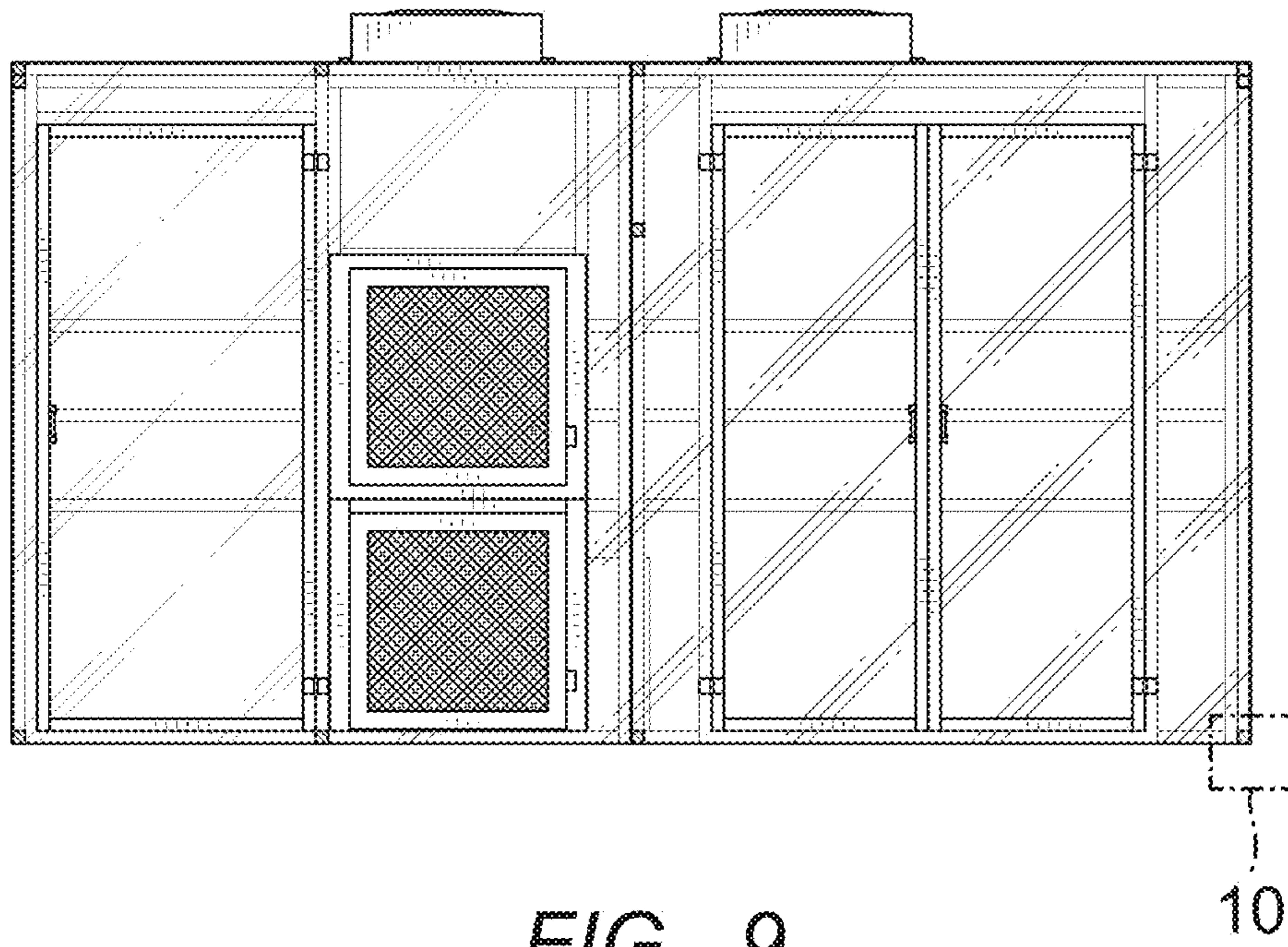


FIG. 9

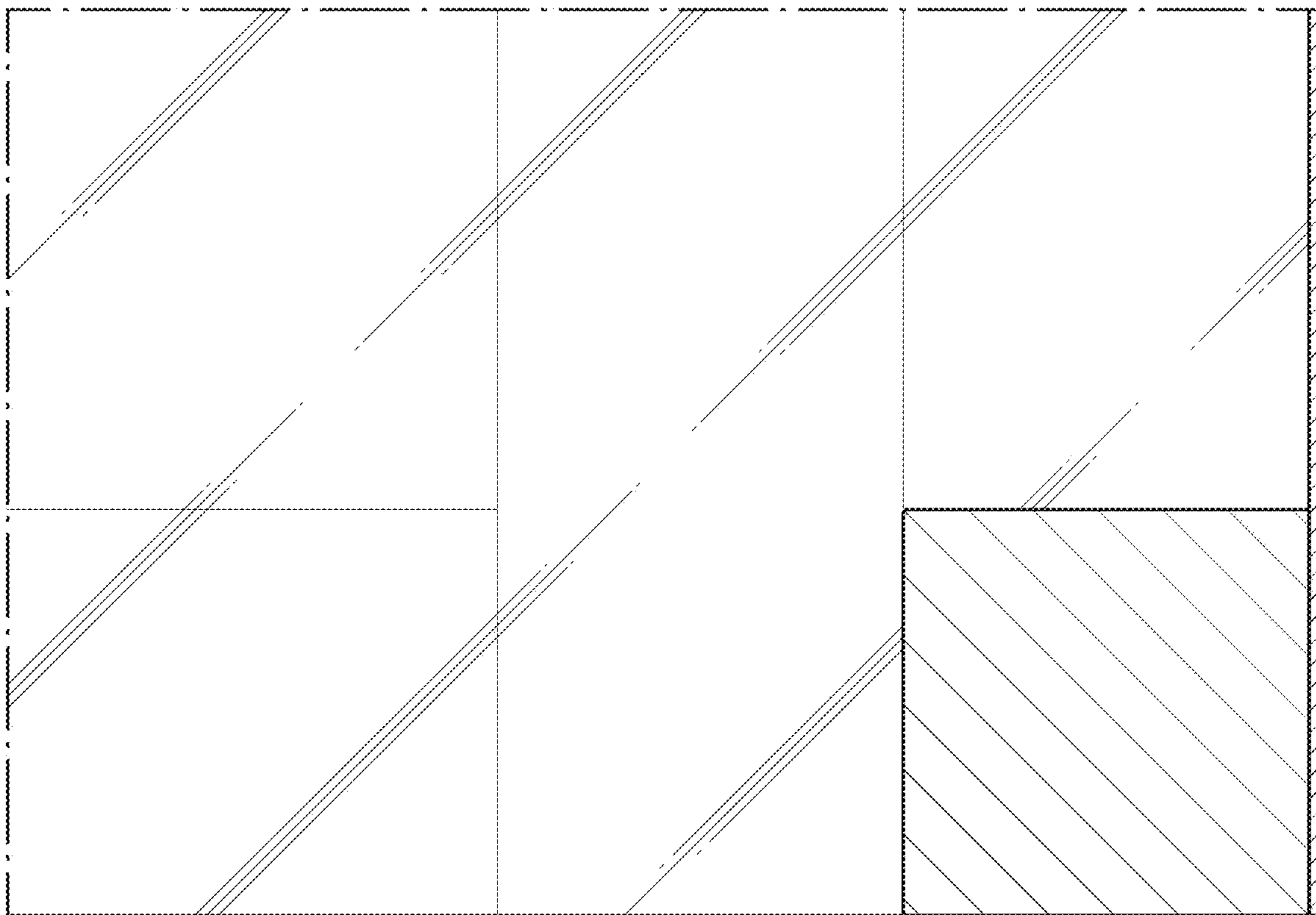


FIG. 10