



US00D970747S

(12) **United States Design Patent**
Gotthelf et al.

(10) **Patent No.:** **US D970,747 S**

(45) **Date of Patent:** **** Nov. 22, 2022**

(54) SUSPENDABLE UV LIGHTING FIXTURE	7,014,348 B1 * 3/2006 Harrison G02B 6/0008 362/565
(71) Applicants: Philip Gotthelf , Closter, NJ (US); John C. Tomaini , Warwick, NY (US)	D608,478 S * 1/2010 Maxik D26/4 7,824,079 B2 * 11/2010 Cuppett F21V 1/06 362/450
(72) Inventors: Philip Gotthelf , Closter, NJ (US); John C. Tomaini , Warwick, NY (US)	8,197,917 B2 * 6/2012 Wang A47G 33/08 446/124 8,674,322 B2 * 3/2014 Kohler C02F 1/487 422/119

(**) Term: **15 Years**

(Continued)

(21) Appl. No.: **29/746,721**

(22) Filed: **Aug. 17, 2020**

(51) **LOC (13) Cl.** **24-02**

(52) **U.S. Cl.**
USPC **D24/217**

(58) **Field of Classification Search**
USPC D26/72, 74, 88, 89, 92; D24/209, 210,
D24/216, 217, 218, 219, 231, 232;
D32/1, 25; D23/366
CPC F21V 23/00; F21V 23/02; F21V 23/003;
F21V 23/007; F21V 23/023; F24F 8/20;
F24F 8/22; A61L 2/025; A61L 2/10;
A61L 2/11; A61L 2/26; A61L 2202/10;
A61L 2202/11; A61L 2202/23; A61L
2202/122

See application file for complete search history.

(56) **References Cited**

U.S. PATENT DOCUMENTS

D117,874 S * 11/1939 Caverly	D26/77
D140,141 S * 1/1945 Glatthar et al.	D24/217
3,162,377 A * 12/1964 Ozeki	F21V 1/06 362/450
D278,549 S * 4/1985 Kristich	D6/347
4,694,179 A * 9/1987 Lew	A61L 9/20 250/431
D385,633 S * 10/1997 De Rosa	D24/217
5,874,741 A * 2/1999 Matschke	A61L 9/20 210/748.11
6,305,827 B1 * 10/2001 Nolle	F21V 1/06 362/399
D468,438 S * 1/2003 Wong	D24/217

OTHER PUBLICATIONS

Silverlite, Portable UV-C Light Sanitizer. First available Sep. 16, 2020. Searched on Jan. 20, 2022. [https://www.amazon.com/Silverlite-Sanitizer-Ultraviolet-Disinfection-Germicidal/dp/B08DKCHF1W] (Year: 2020).*

(Continued)

Primary Examiner — Samantha Q Lawrence
Assistant Examiner — Melissa Adriane Santos
(74) *Attorney, Agent, or Firm* — Brian L. Wamsley

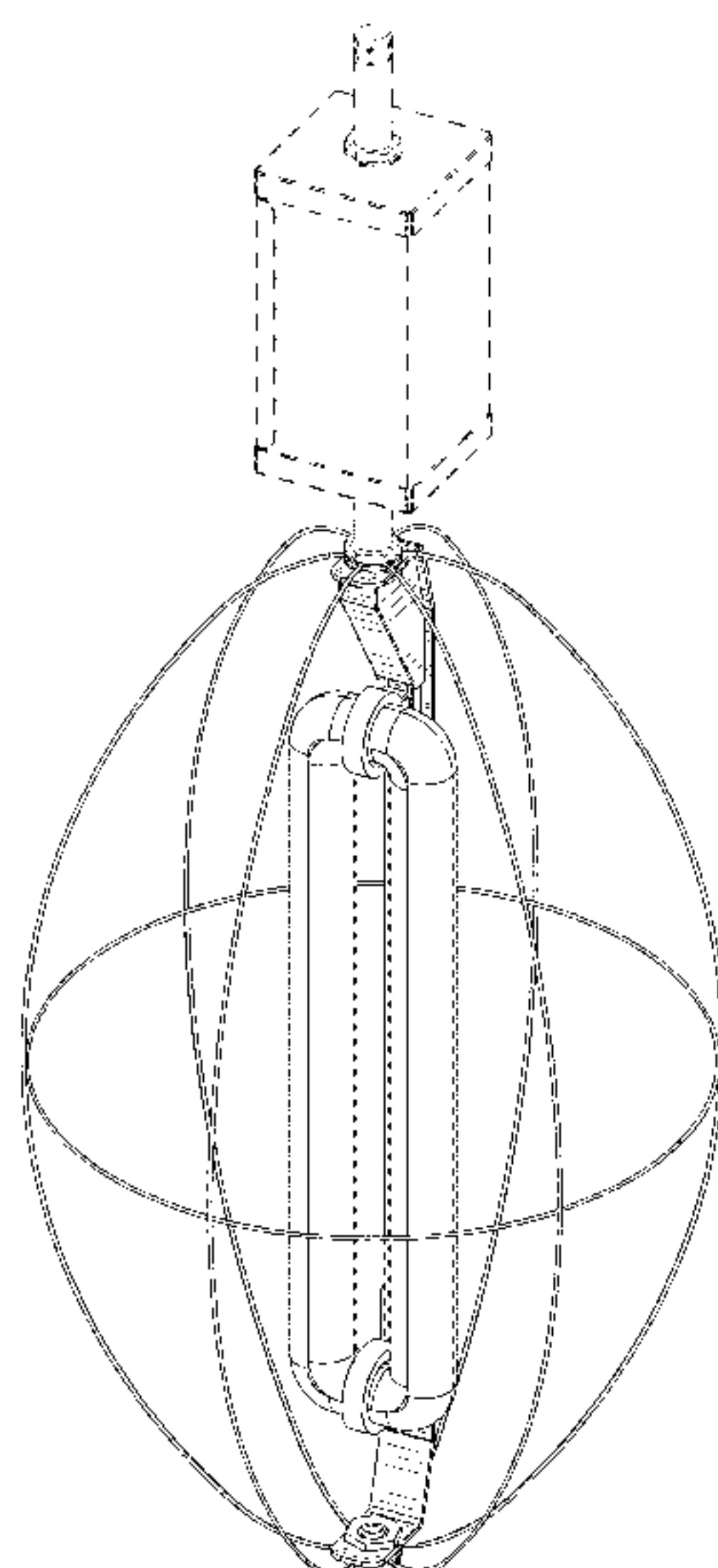
(57) **CLAIM**

The ornamental design for a suspendable UV lighting fixture, as shown and described.

DESCRIPTION

FIG. 1 is a front perspective view of a suspendable UV lighting fixture
FIG. 2 is a front view thereof;
FIG. 3 is a rear view thereof;
FIG. 4 is a first side view thereof;
FIG. 5 is a second side view thereof, wherein the second side is opposite the first side.
FIG. 6 is a top view thereof; and,
FIG. 7 is a bottom view thereof.
The broken lines shown in FIGS. 1-7 represent portions of the suspendable UV lighting fixture that form no part of the claimed design.

1 Claim, 6 Drawing Sheets



(56)

References Cited

U.S. PATENT DOCUMENTS

D739,586 S * 9/2015 Hong D26/51
 D759,396 S * 6/2016 Wehner D6/347
 D787,084 S * 5/2017 Sarchese D24/210
 9,738,547 B2 * 8/2017 Schmitt A61L 2/10
 D829,454 S * 10/2018 Wehner D6/345
 10,161,582 B1 * 12/2018 Qiu F21V 23/0464
 10,161,601 B1 * 12/2018 Chen F21S 6/00
 10,161,602 B1 * 12/2018 Bleile F21V 21/08
 D838,023 S * 1/2019 Ralph D26/40
 10,480,759 B2 * 11/2019 Lu F21L 19/006
 D880,046 S * 3/2020 Orozco D26/81
 10,845,042 B1 * 11/2020 Shellman F21V 1/06
 D907,823 S * 1/2021 Lou D26/40
 D938,063 S * 12/2021 Williamson D24/217
 D942,054 S * 1/2022 Lan D26/2
 11,333,331 B2 * 5/2022 Hale F21V 1/06
 2003/0011308 A1 * 1/2003 Crawford H01J 61/547
 313/623
 2006/0284109 A1 * 12/2006 Scheir A61L 9/20
 250/455.11
 2010/0097812 A1 * 4/2010 Cheng F21S 4/10
 362/382

2011/0297844 A1 * 12/2011 Vecziedins H01J 5/62
 315/39
 2015/0359915 A1 * 12/2015 Farren A61L 2/00
 250/492.1
 2016/0102826 A1 * 4/2016 Torres F21V 15/01
 362/296.01
 2021/0244837 A1 * 8/2021 Dijkstra A61L 2/24
 2021/0330829 A1 * 10/2021 Lan F21V 23/06
 2021/0393822 A1 * 12/2021 Chen B60S 3/008
 2022/0125963 A1 * 4/2022 Choi H01J 61/16

OTHER PUBLICATIONS

Rugged Grade Lighting, UV-C Ultraviolet Lamp. First available unknown. Searched on Jan. 20, 2022. [https://www.ledlightexpert.com/80-Watt-UV-C-Ultraviolet-Lamp--Adjustable-Motion-Sensor--Portable-Hanging-Design--Covers-up-to-650-Sq-Ft_p_1905.html] (Year: 2022).*

Wang Xingnan, Sterilizer. First available Apr. 16, 2020. Searched Jan. 20, 2022. Questel serial number of registration 305967674 (Year: 2020).*

* cited by examiner

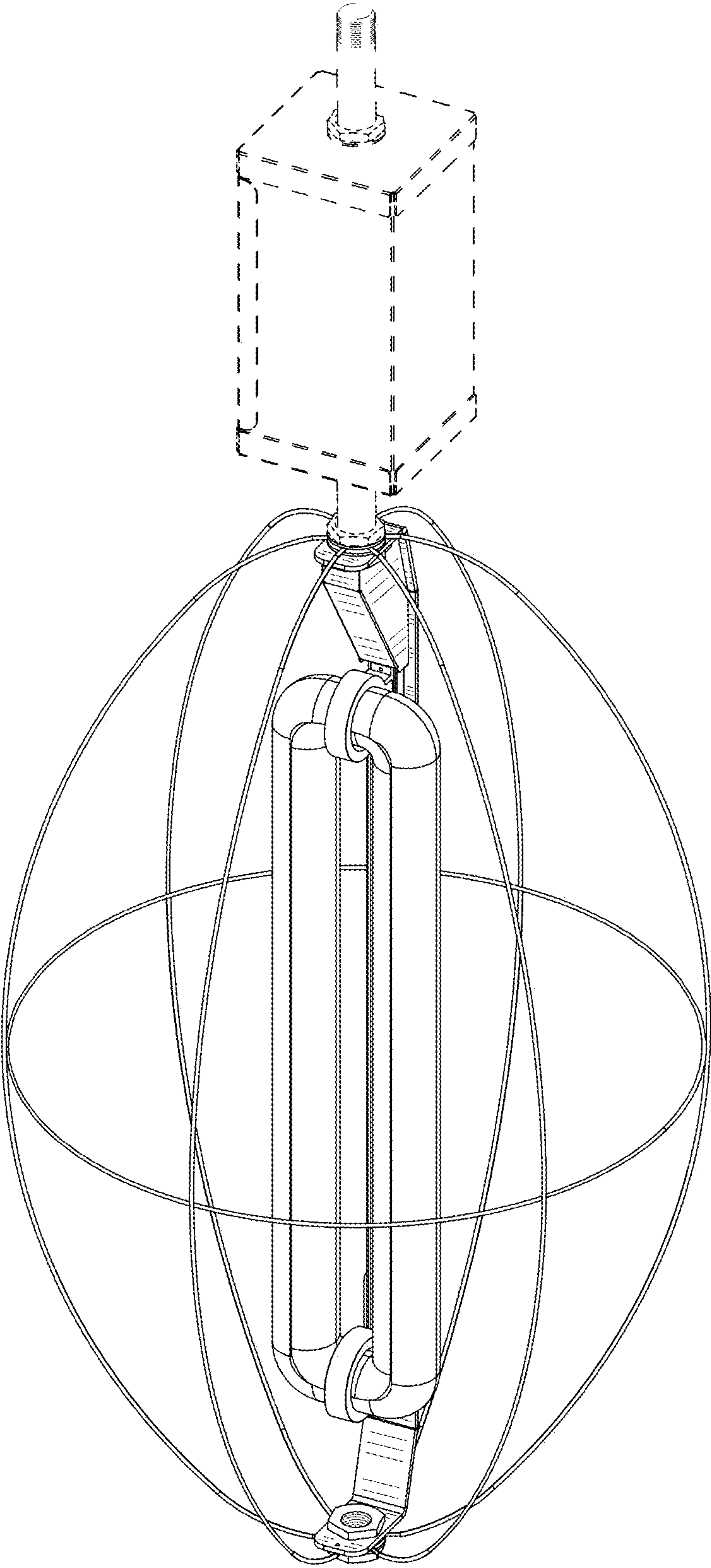


FIG. 1

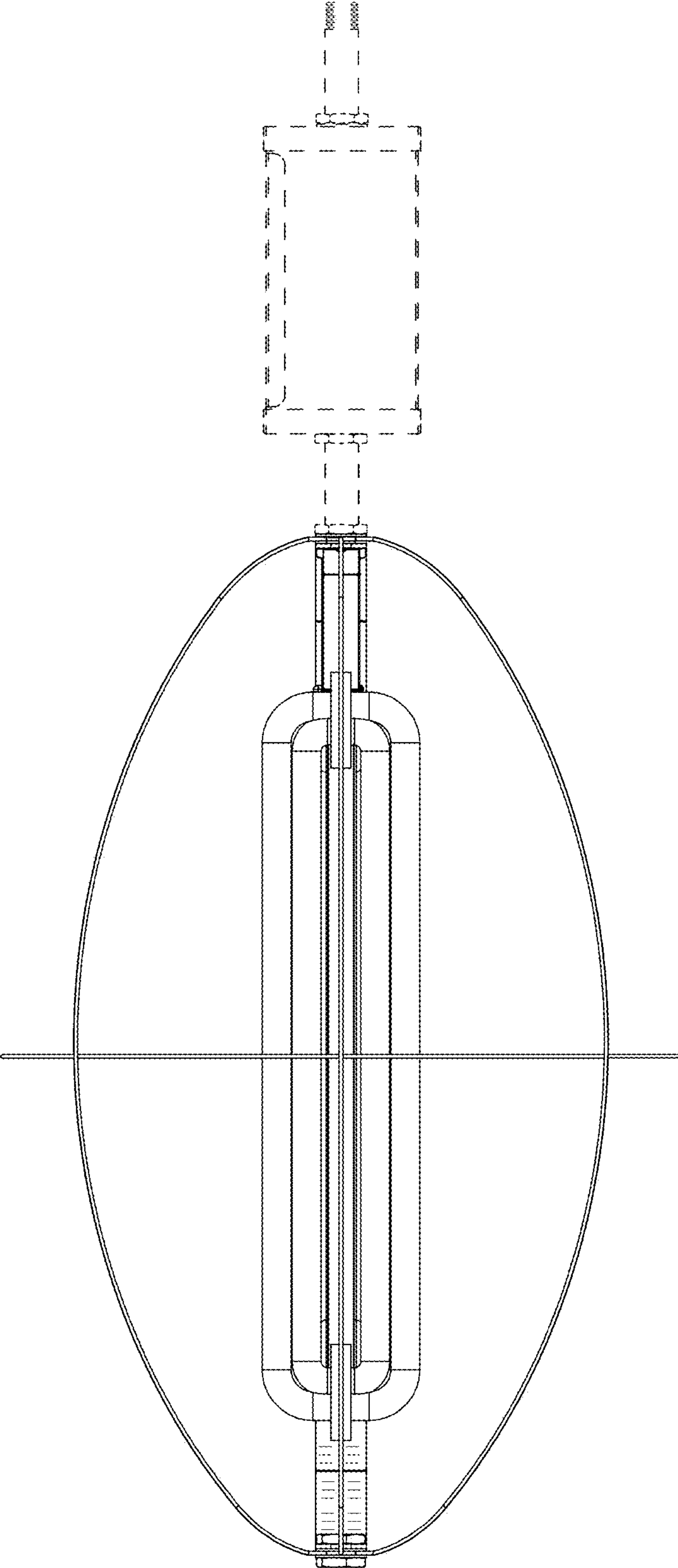


FIG. 2

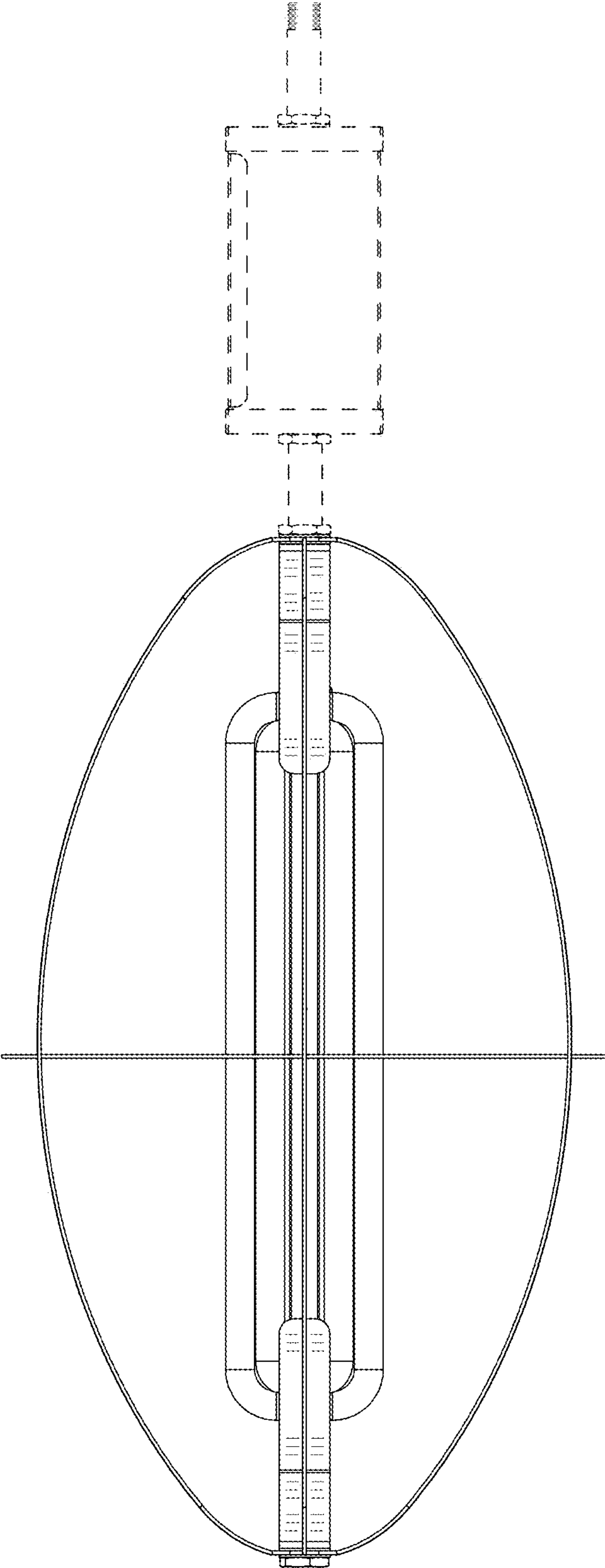


FIG. 3

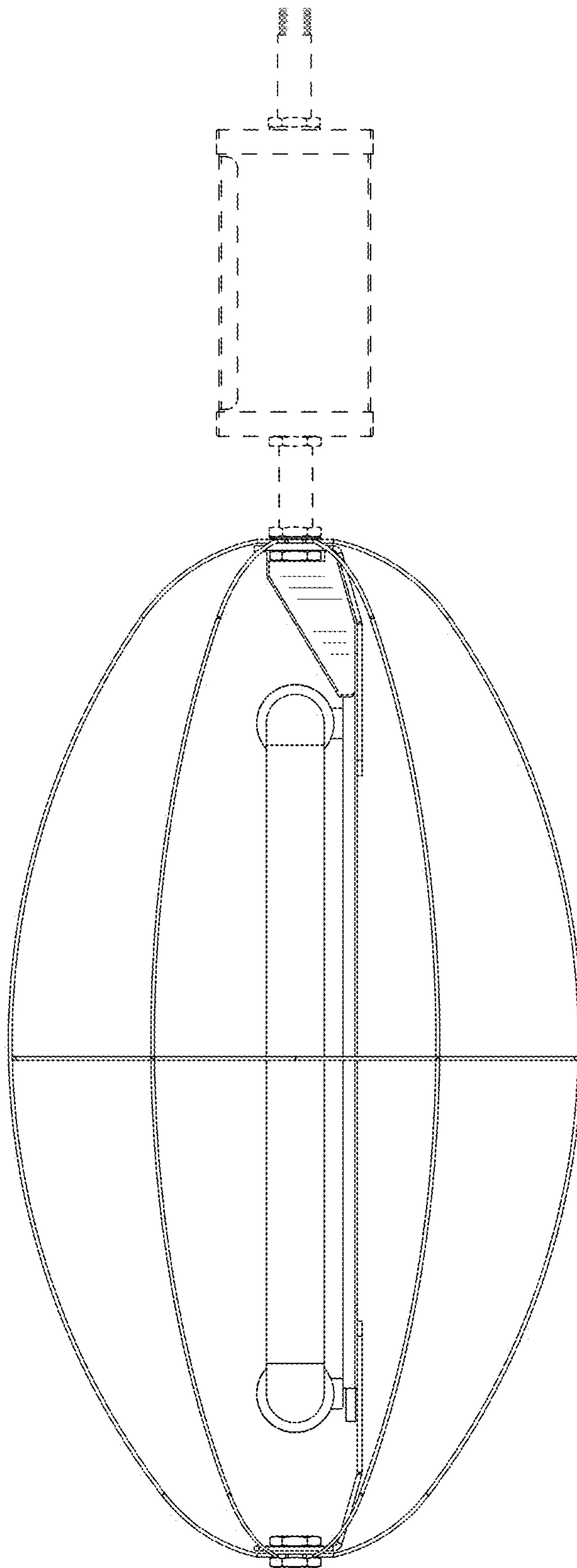


FIG. 4

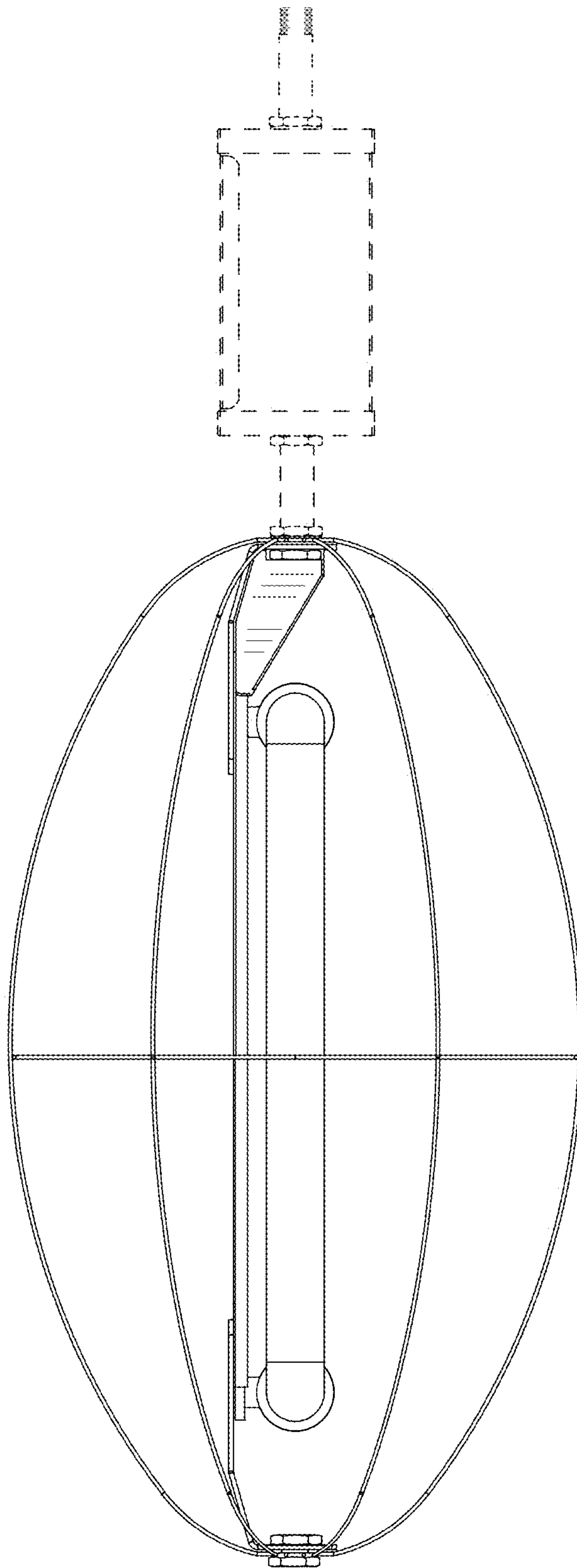


FIG. 5

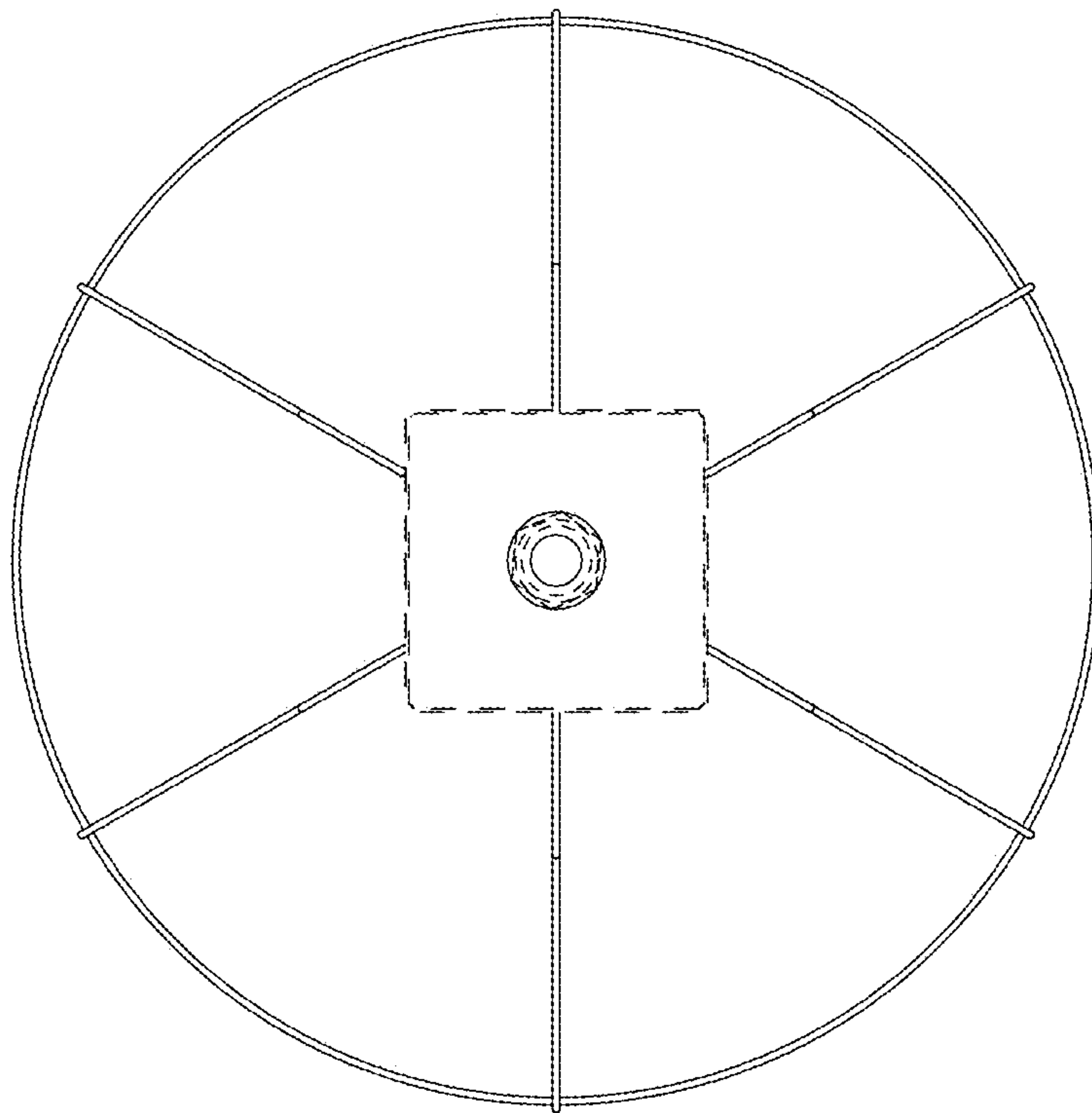


FIG. 6

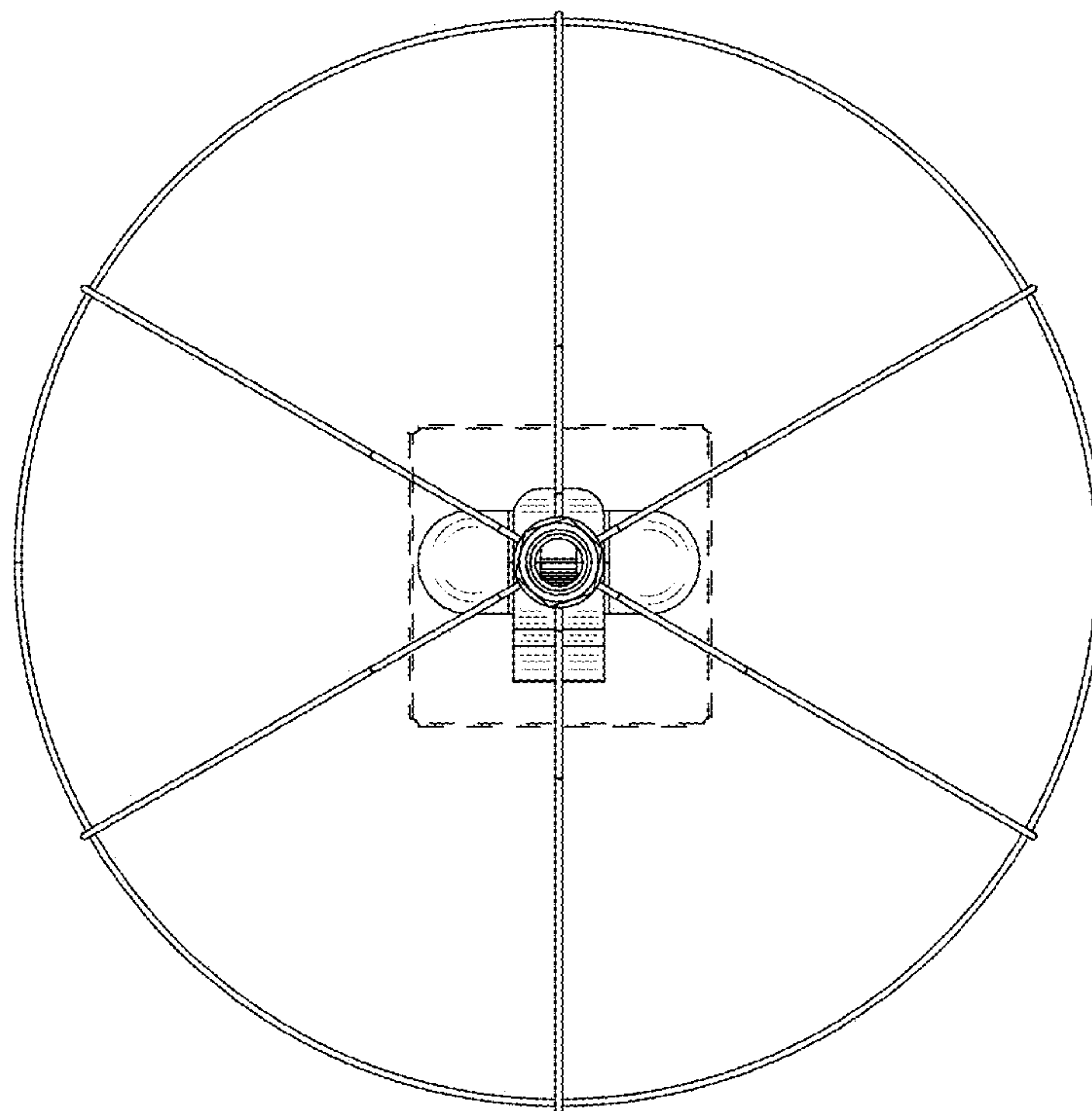


FIG. 7